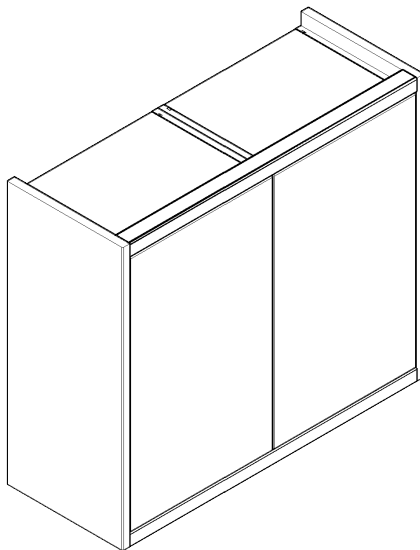


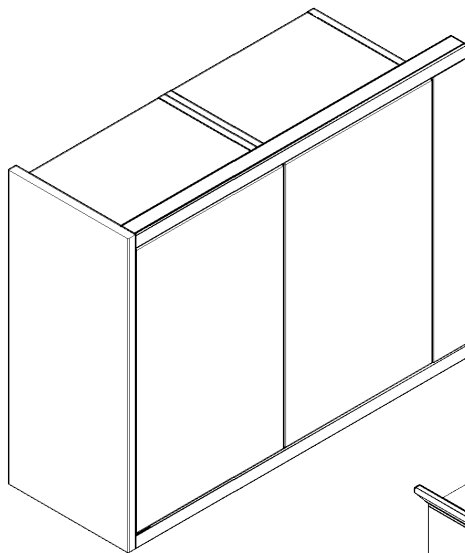
# LIGHT RAIL

## Fitting Guide

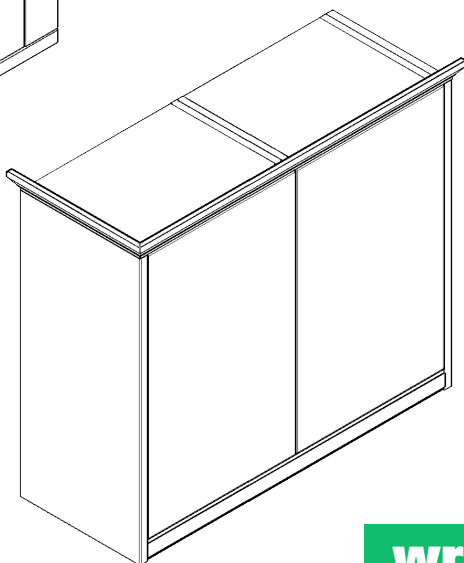
*Modern Light Rail*



*Modern Light Rail To Wall*



*Traditional Light Rail*



**wren**  
KITCHENS

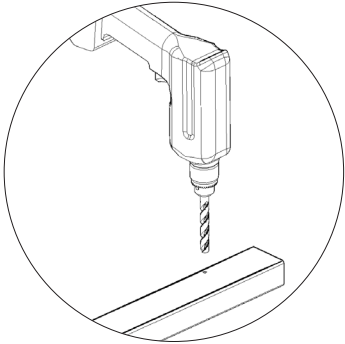
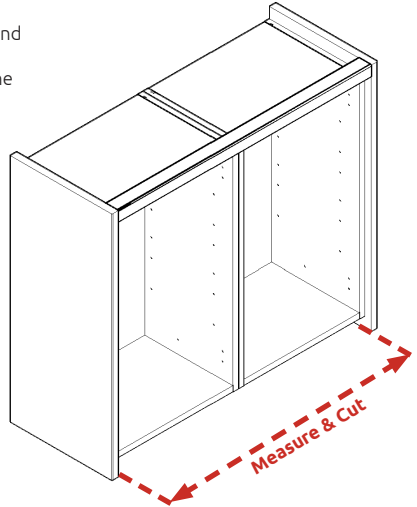
# LIGHT RAIL

## Fitting Guide

Modern

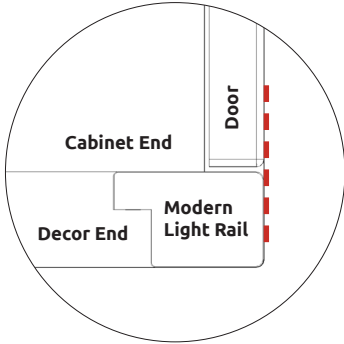
### Step 1.

Measure the distance between the two decor end panels on the inside face. Apply measurement to the light rail and cut to size.



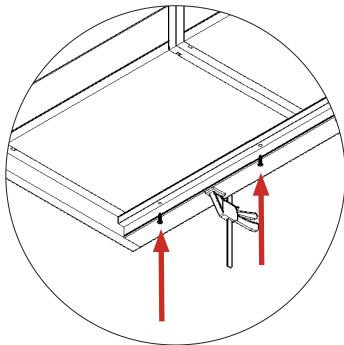
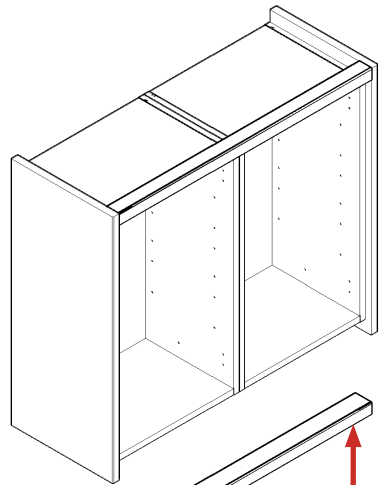
### Step 2.

Drill pilot holes in to the light rail.



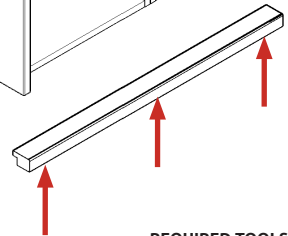
### Step 3.

Position the light rail in to place on the bottom of the cabinet and hold in place temporarily with clamps. Align the light rail with the front of the cabinet door.

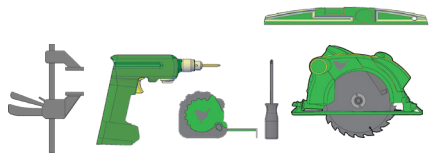


### Step 4.

Secure in to position with 3/4" screws. Number of screws required will vary depending on the number of cabinets the light rail goes across.



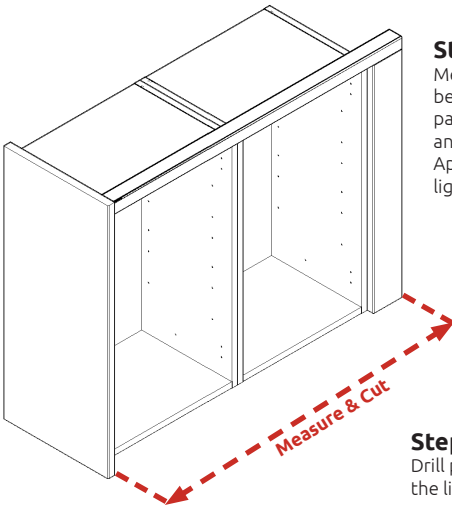
#### REQUIRED TOOLS



# LIGHT RAIL

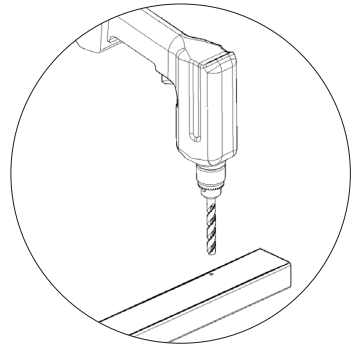
## Fitting Guide

Modern To Wall



### Step 5.

Measure the distance between the decor end panel on the inside face and the wall. Apply measurement to light rail and cut to size.

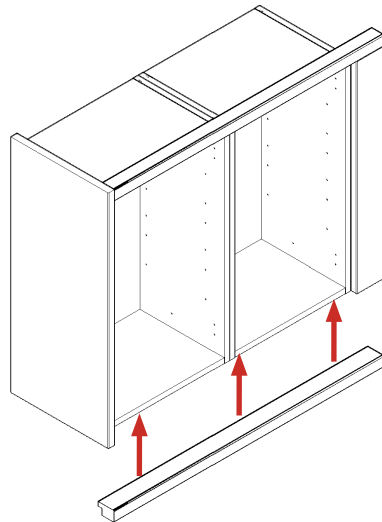
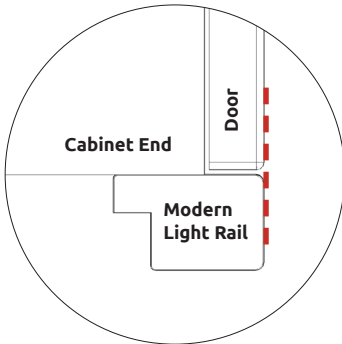


### Step 6.

Drill pilot holes in to the light rail.

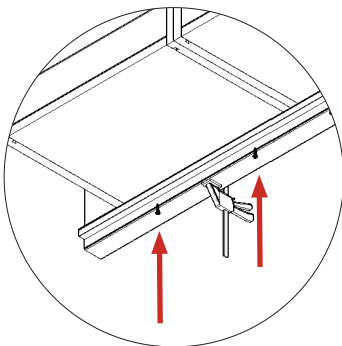
### Step 7.

Position the light rail in to place on the bottom of the cabinet and hold in place temporarily with clamps. Align the light rail with the front of the cabinet door.



### Step 8.

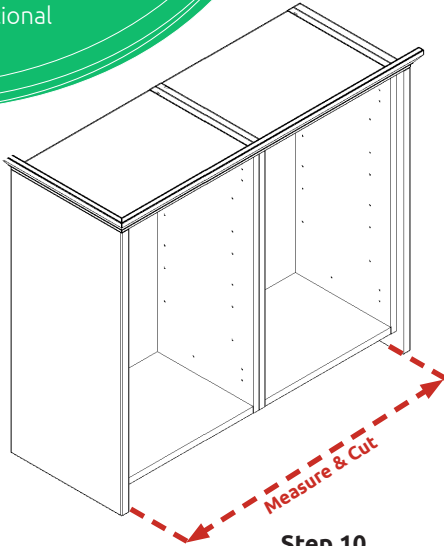
Secure in to position with  $\frac{3}{4}$ " screws. Number of screws required will vary depending on the number of cabinets the light rail goes across.



# LIGHT RAIL

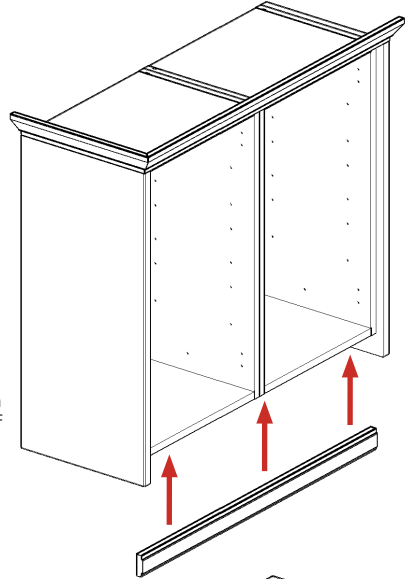
## Fitting Guide

Traditional



### Step 9.

Measure the distance between the two decor end panels on the inside face. Apply measurement to the light rail and cut to size.

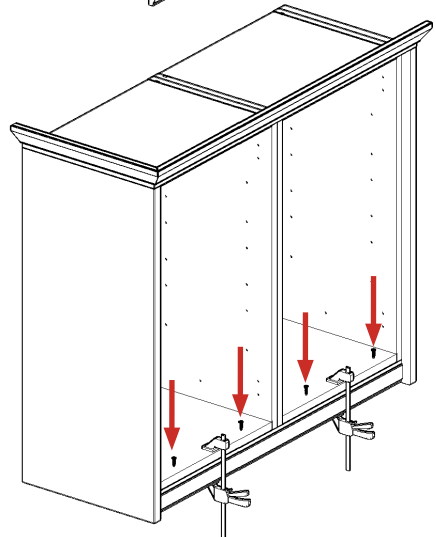
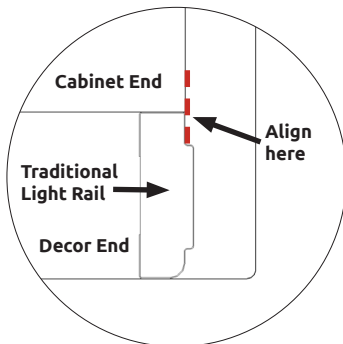


### Step 10.

Position the light rail in place on the bottom of the cabinet and hold in place temporarily with clamps.

### Step 11.

Align the light rail with the front of the cabinet as shown. The flat section goes to the top and curved section goes to the bottom.



### Step 12.

Secure the light rail in place with  $\frac{3}{4}$ " screws. Screw through the bottom of the cabinet on the inside face into the light rail to secure it in place. Cover screws with cover caps.