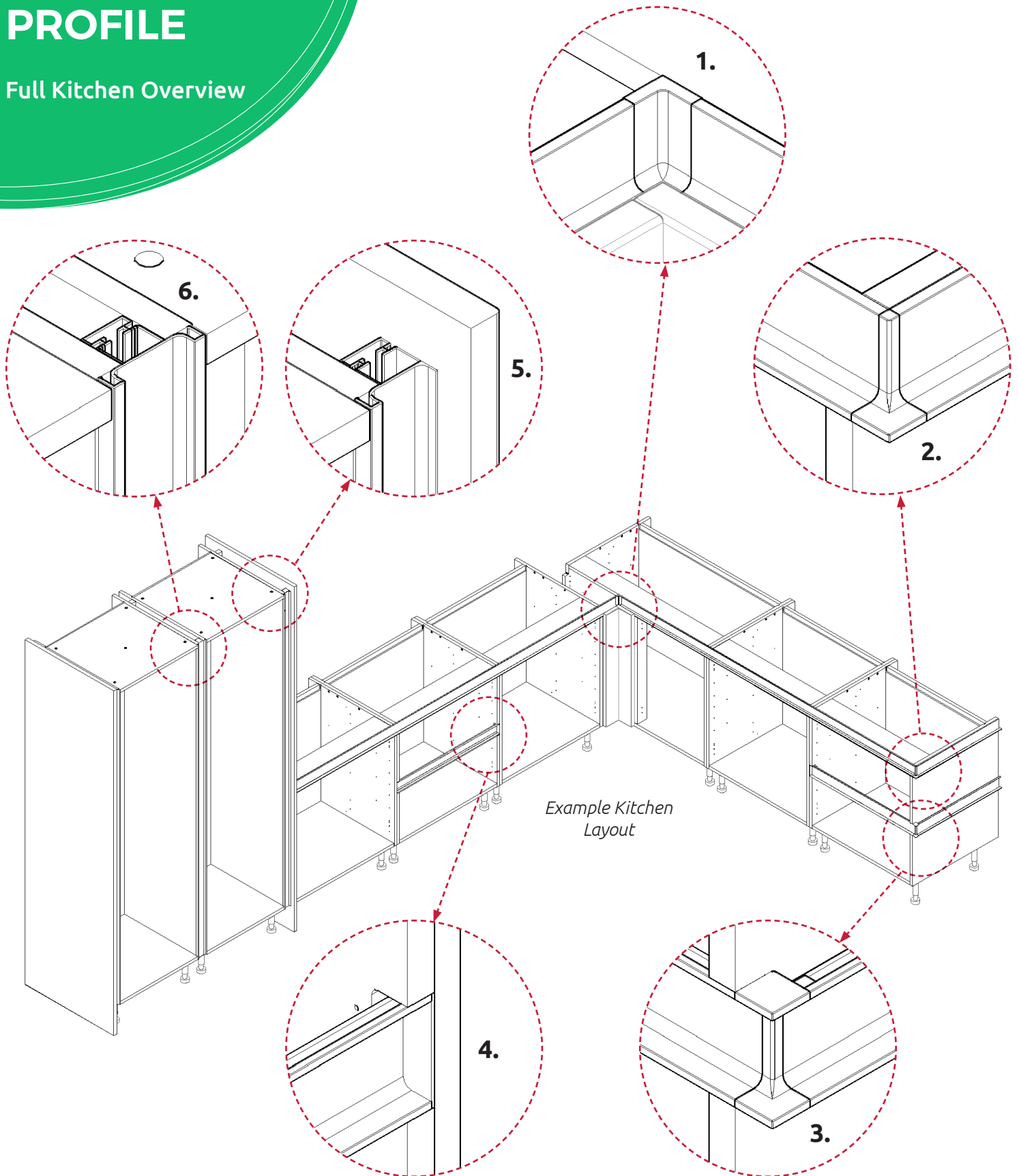


MILANO PROFILE

Full Kitchen Overview



1. Top profile including internal corner. Pg 1-2
2. Top profile including external corner. Pg 3-4
3. Middle profile including external corner. Pg 5-8
4. Middle profile. Pg 9
5. Tower end profile. Pg 10-13
6. Tower middle profile. Pg 14-15



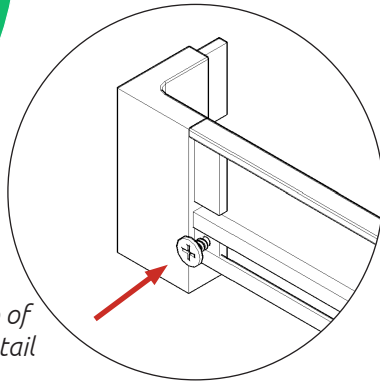
MILANO PROFILE

Top Profile Inc Internal Corner

Step 1.

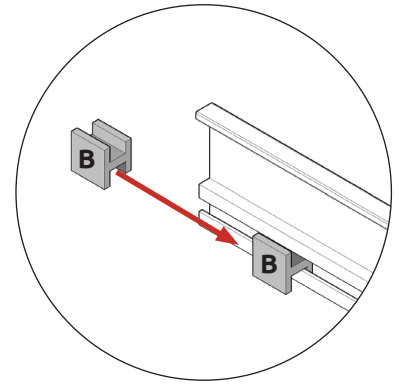
Attach the profile to the left side of the internal corner piece. Secure together with the screw on the back of corner piece.

Close up of screw detail



Note:

Slide 2 x part B of step 11 into the groove on the profile for every cabinet on that run as shown.

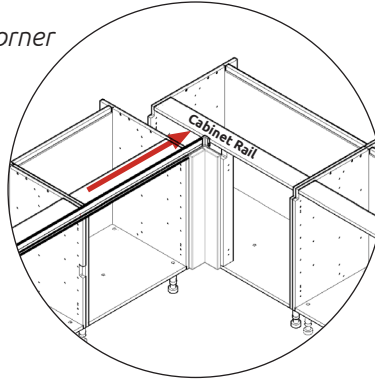


Step 2.

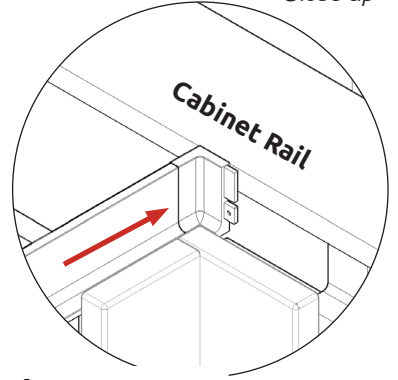
Push the internal corner joint with attached rail piece up to the cabinet rail until flush.

Close up

Internal corner piece



Cabinet Rail



Profile

Profile

Measure & Cut
This Distance

Example Kitchen
Layout

Cabinet
End

Close ups

Step 3.

Measure the profile from the internal corner joint connection to the end of the run of cabinets. Cut profile to size.

Cabinet
End

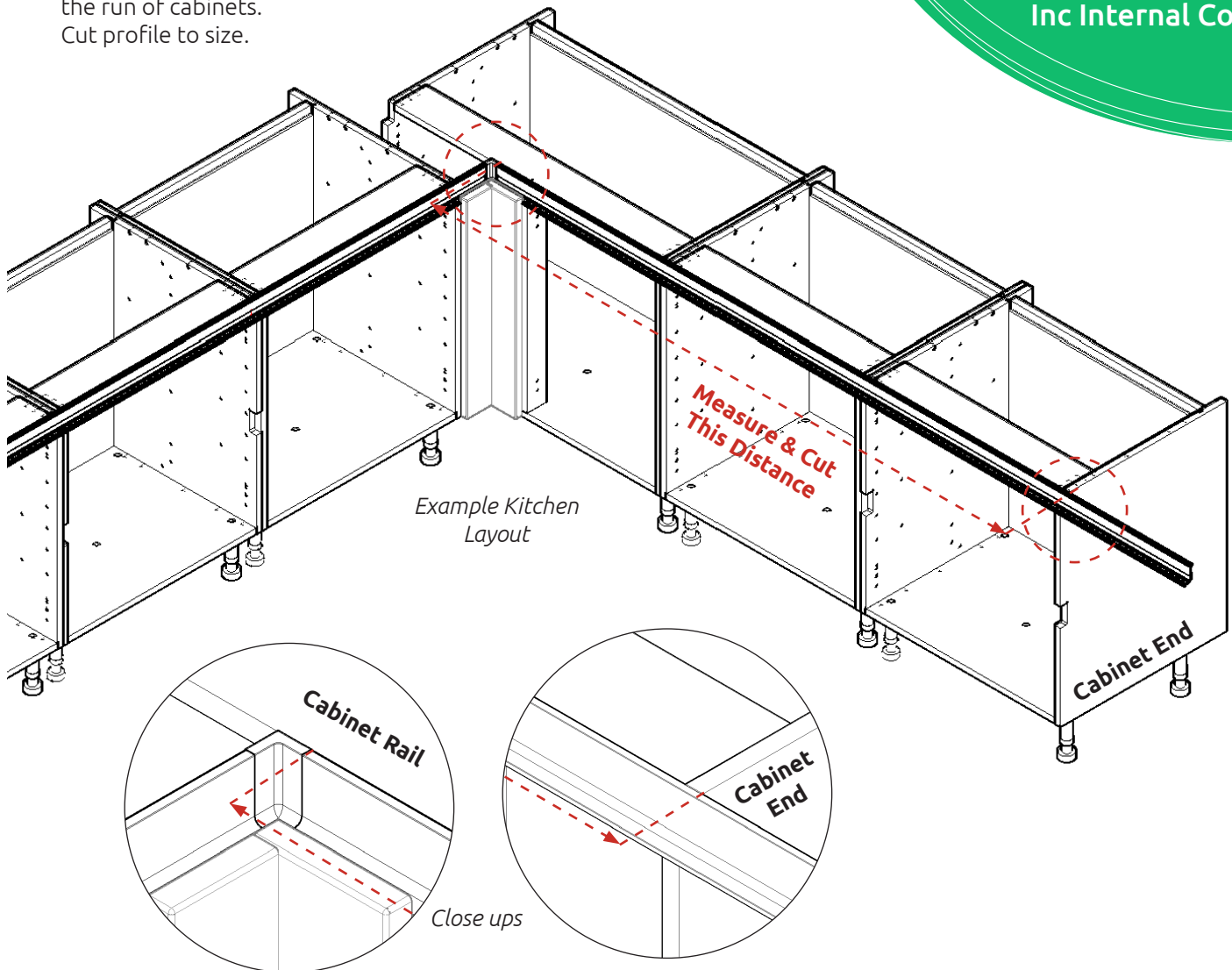
Cabinet Rail

MILANO PROFILE

Top Profile
Inc Internal Corner

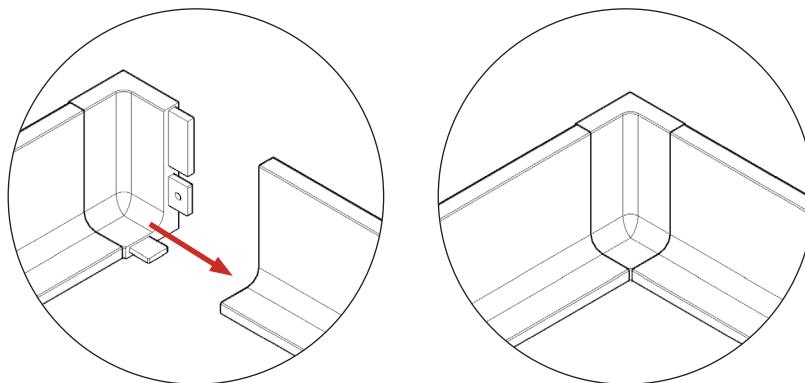
Step 4.

Measure the rail from the internal corner joint connection to the end of the run of cabinets.
Cut profile to size.



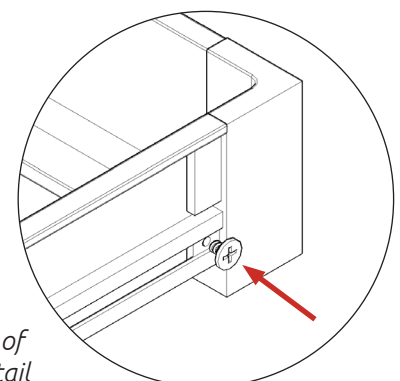
Step 5.

Attach the profile to the right side of the internal corner piece.



Step 6.

Secure the profile to internal corner piece using the screw on the back.



MILANO PROFILE

Top Profile Inc External Corner

Top Of Notch

Bottom Of Notch

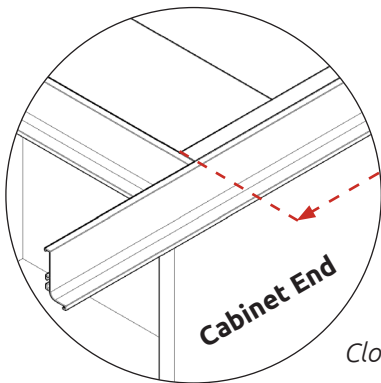
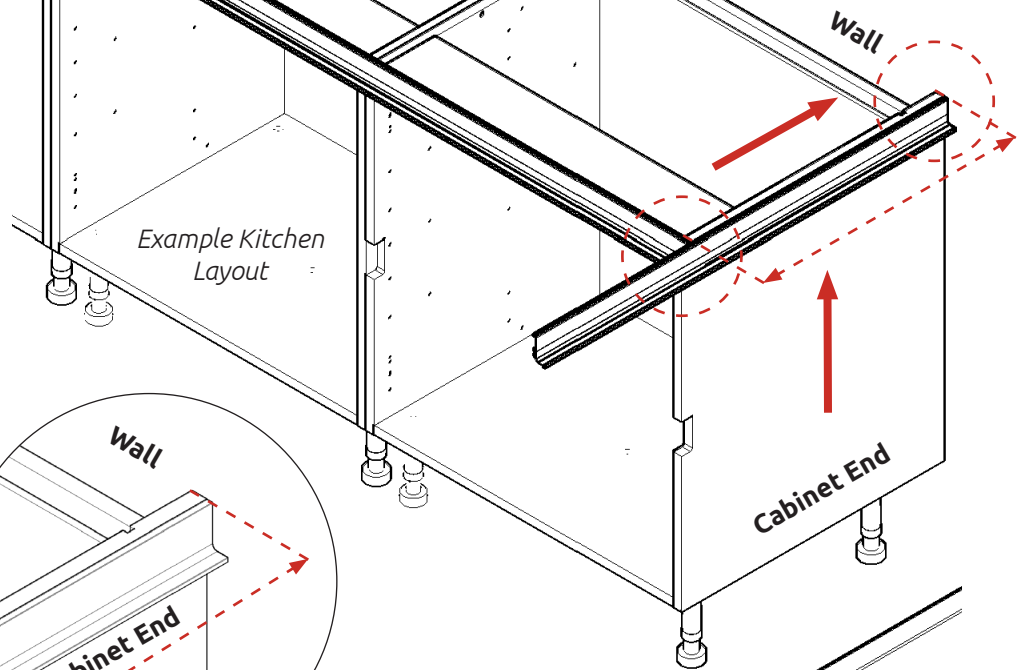
Profile Notch

Step 7.

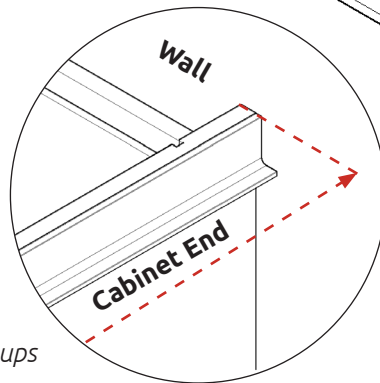
Hold the profile to the top of the cabinet end and flush to the wall.

Measure the profile from the wall to the top of the profile notch.

Cut profile to size.



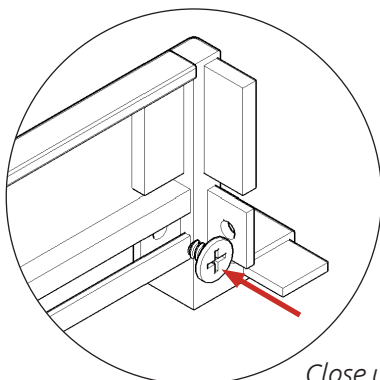
Close ups



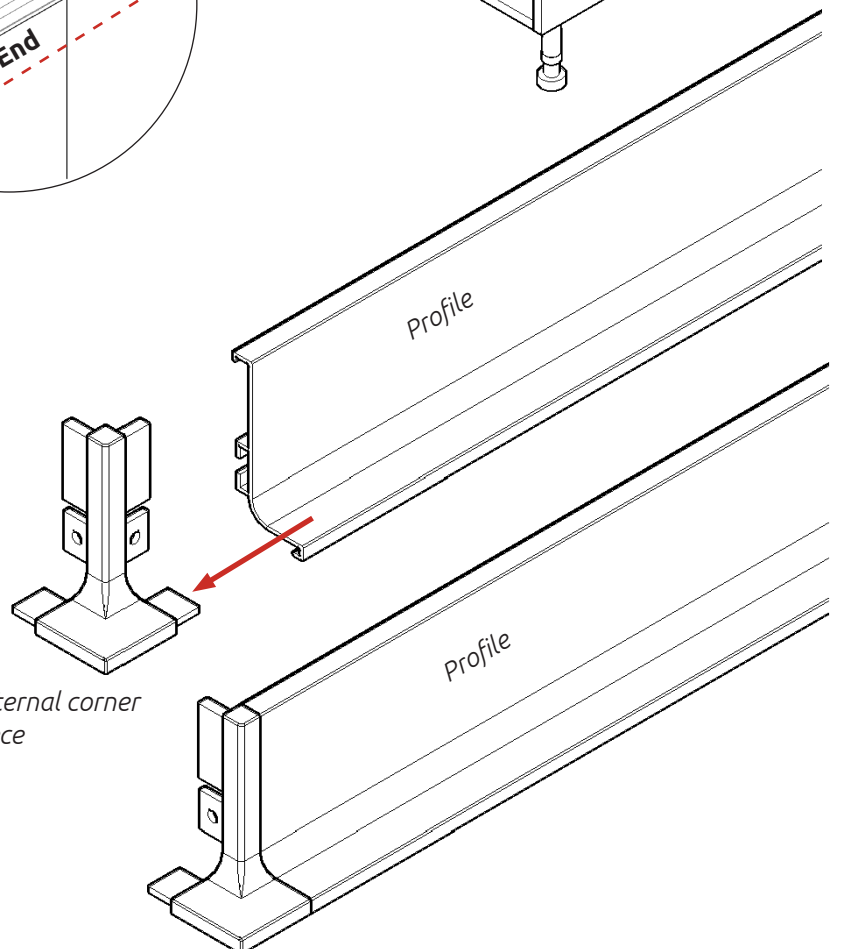
Step 8.

Attach the profile to the right side of the external corner piece.

Secure together with the screw on the back of corner piece.

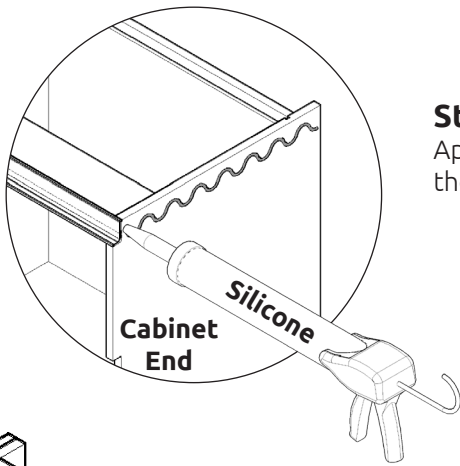


Close up of
screw detail



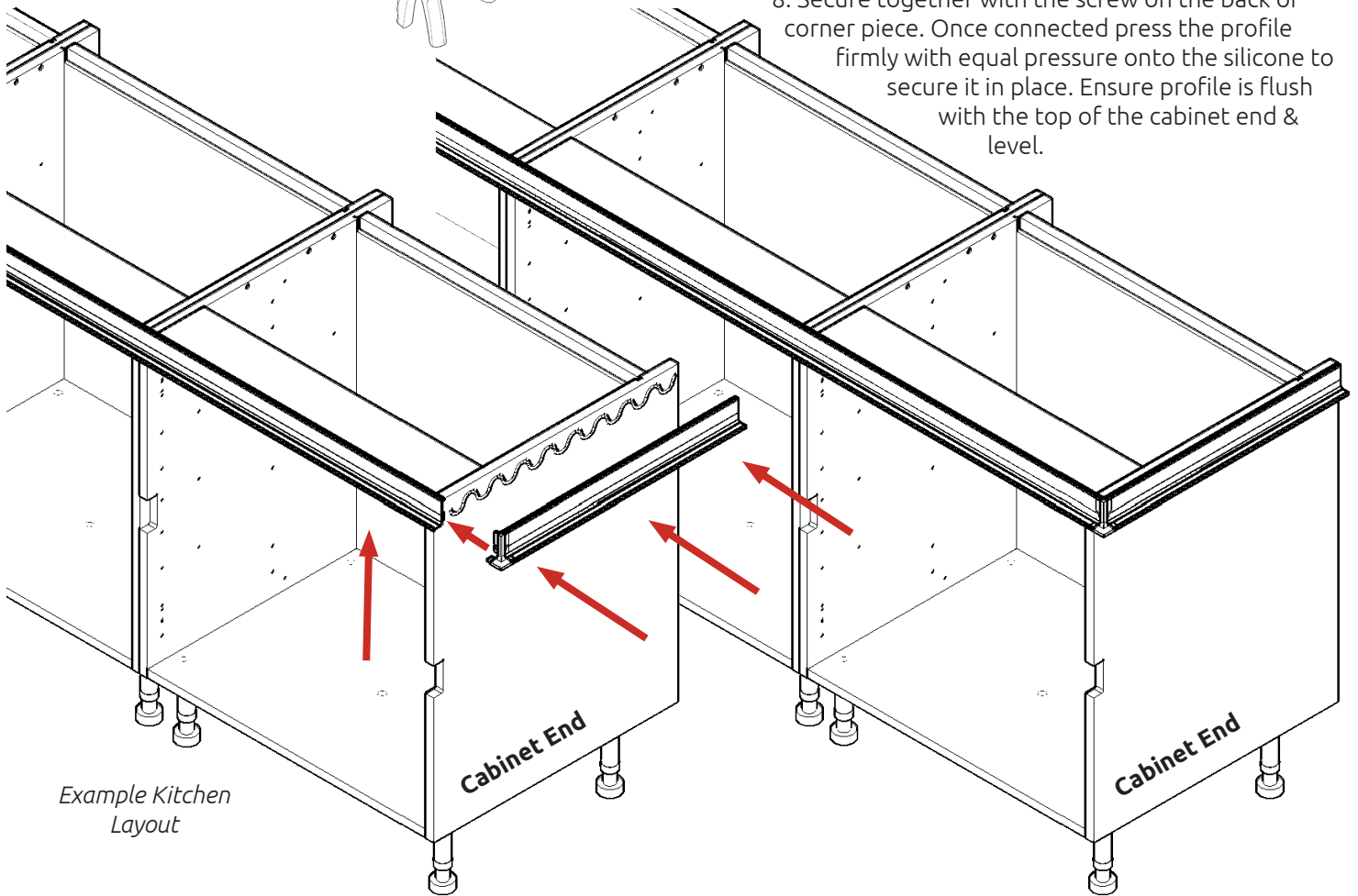
MILANO PROFILE

Top Profile Inc External Corner



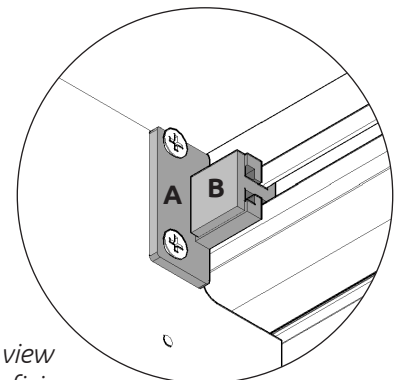
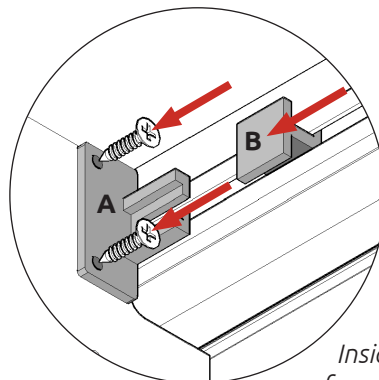
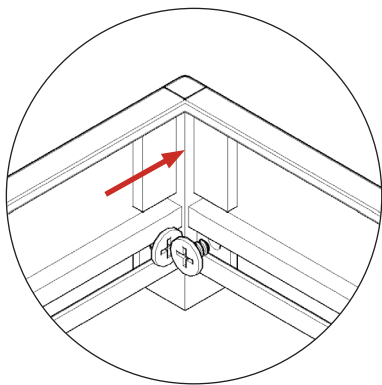
Step 10.

Lift the front profile and connect to the profile with the attached external corner piece from step 8. Secure together with the screw on the back of corner piece. Once connected press the profile firmly with equal pressure onto the silicone to secure it in place. Ensure profile is flush with the top of the cabinet end & level.



Step 11.

Attach part A of the profile fixing to the inside face on both sides of the cabinet (and on all cabinets that the profile goes across) using 2 x 5/8" (15mm) screws for each fixing. Now slide part B of the fixing on to part A locking the profile in place on the cabinet.



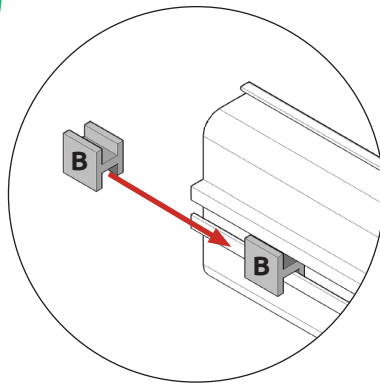
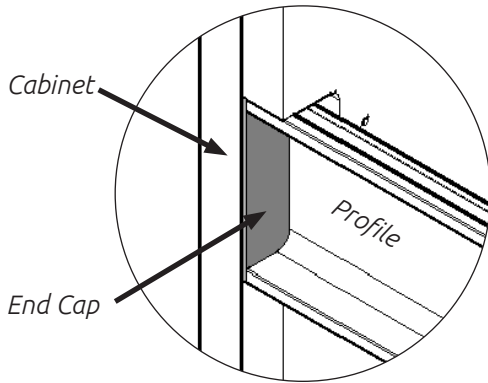
MILANO PROFILE

Middle Profile Inc External Corner and End Cap

End cap note.

End caps are required when the profile butts into an end panel of an adjoining cabinet

End caps are **not** required when the profile goes to a decorated wall or decor end panel.

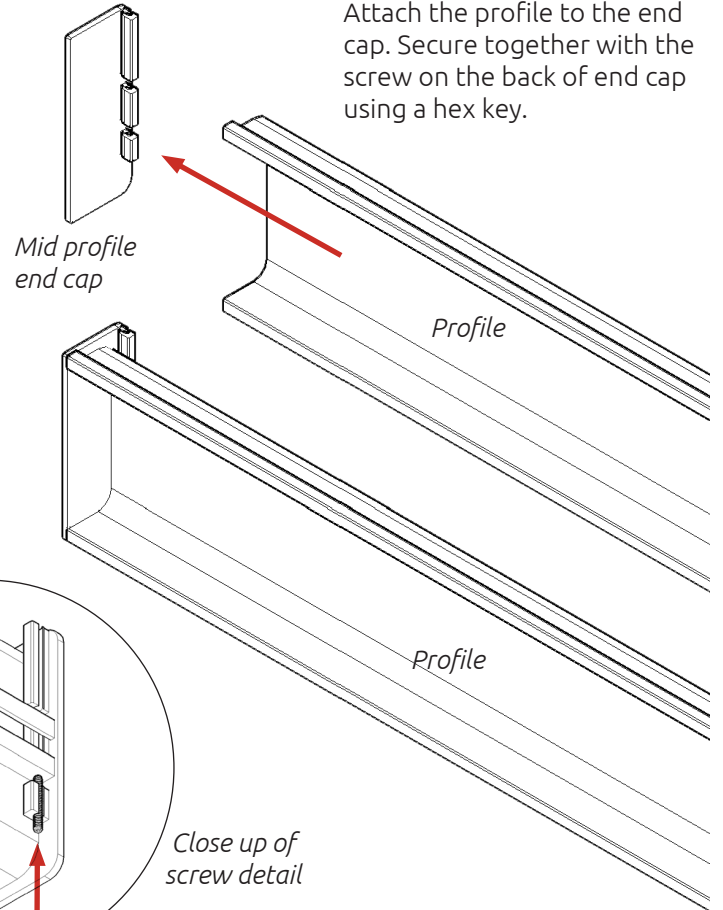


Note:

Slide 2 x part B of step 19 & 22 into the groove on the profile for every cabinet on that run as shown.

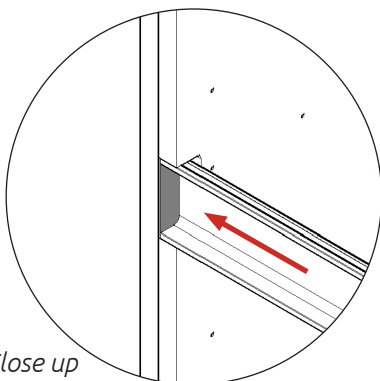
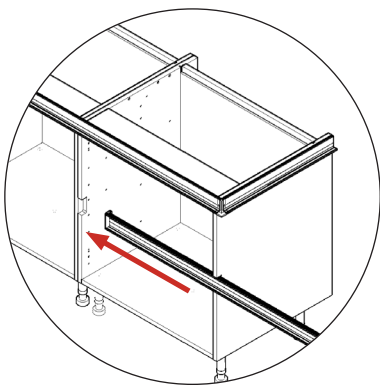
Step 12.

Attach the profile to the end cap. Secure together with the screw on the back of end cap using a hex key.

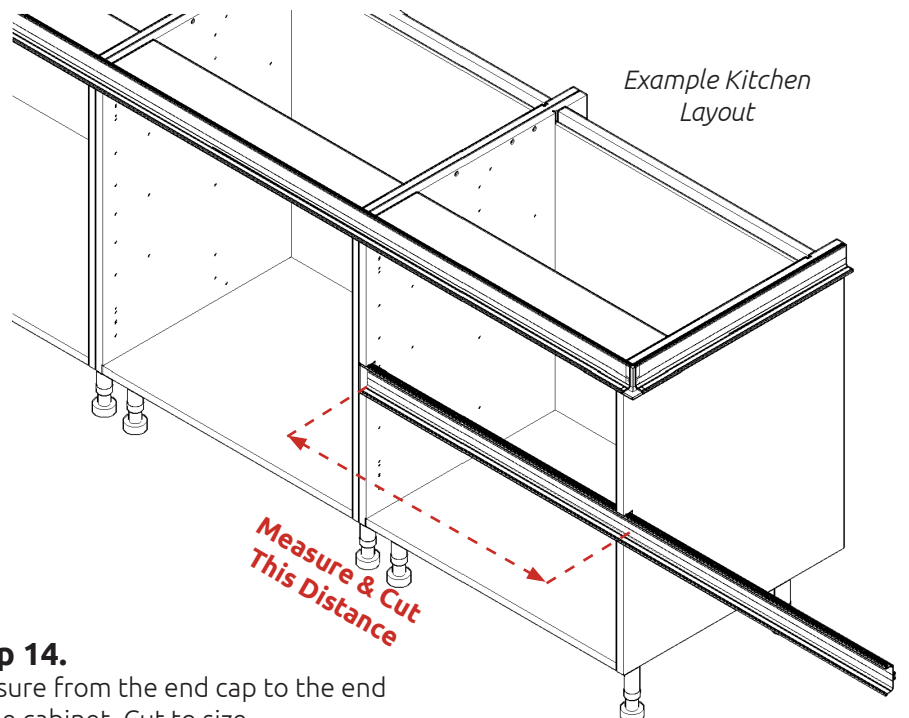


Step 13.

Push the profile with the end cap attached into the mid notch until flush.



Close up

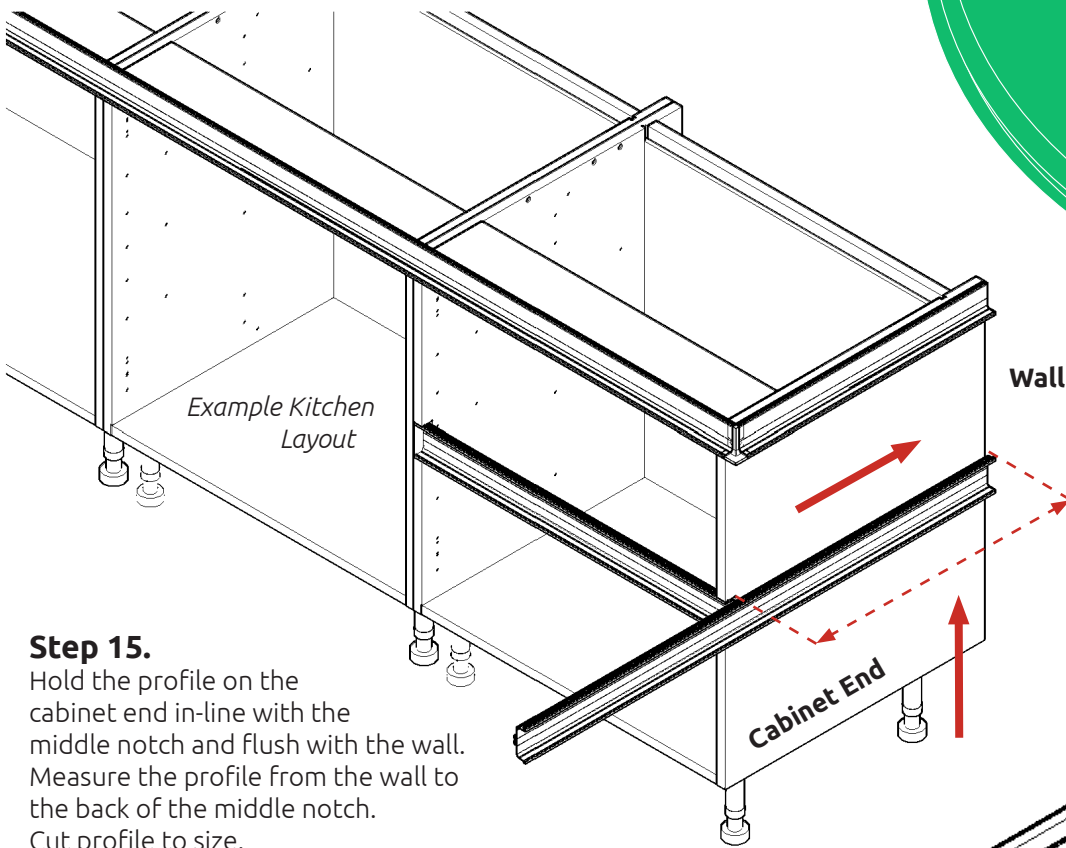


Step 14.

Measure from the end cap to the end of the cabinet. Cut to size.

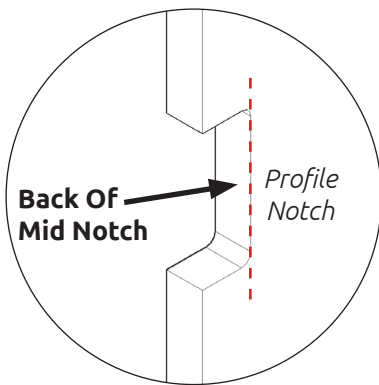
MILANO PROFILE

Middle Profile
Inc External Corner

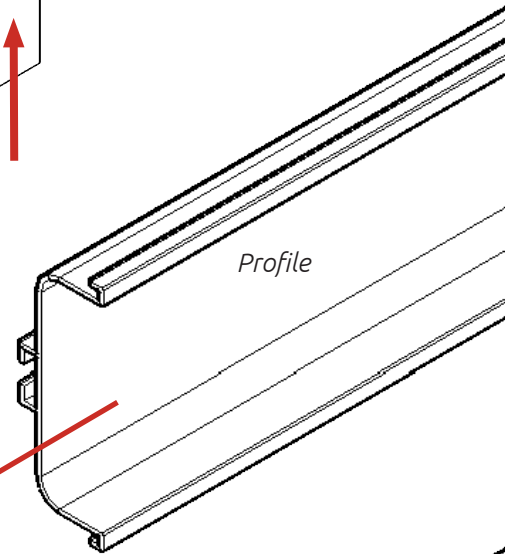
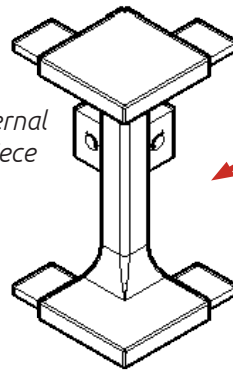


Step 15.

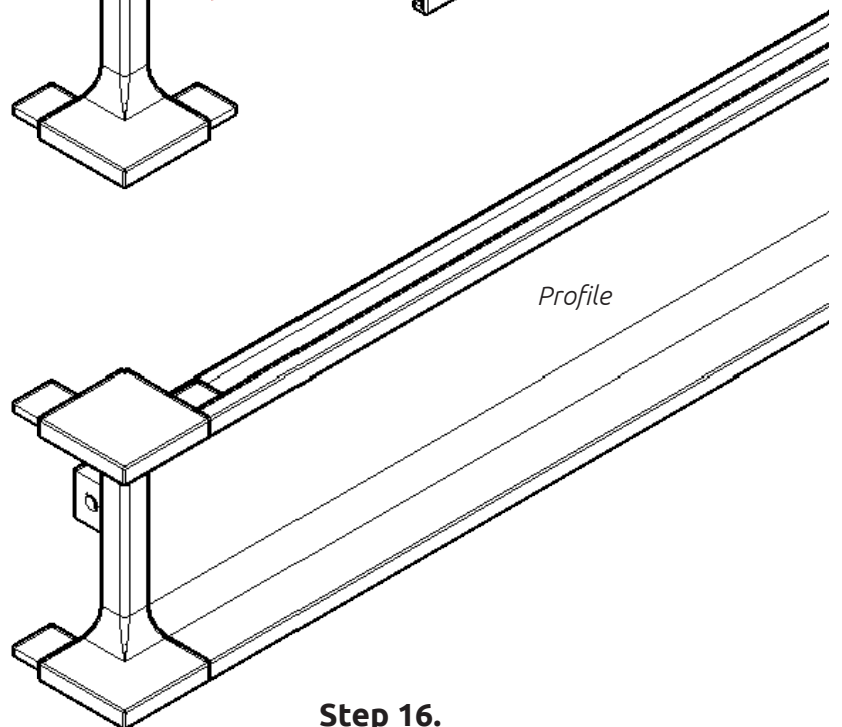
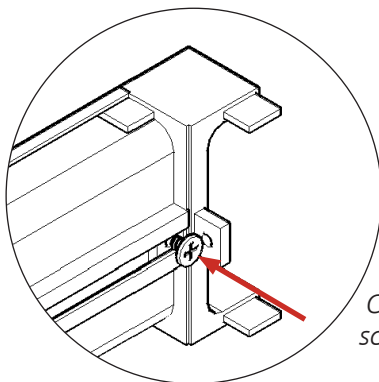
Hold the profile on the cabinet end in-line with the middle notch and flush with the wall. Measure the profile from the wall to the back of the middle notch. Cut profile to size.



Mid external corner piece



Profile



Profile

Step 16.

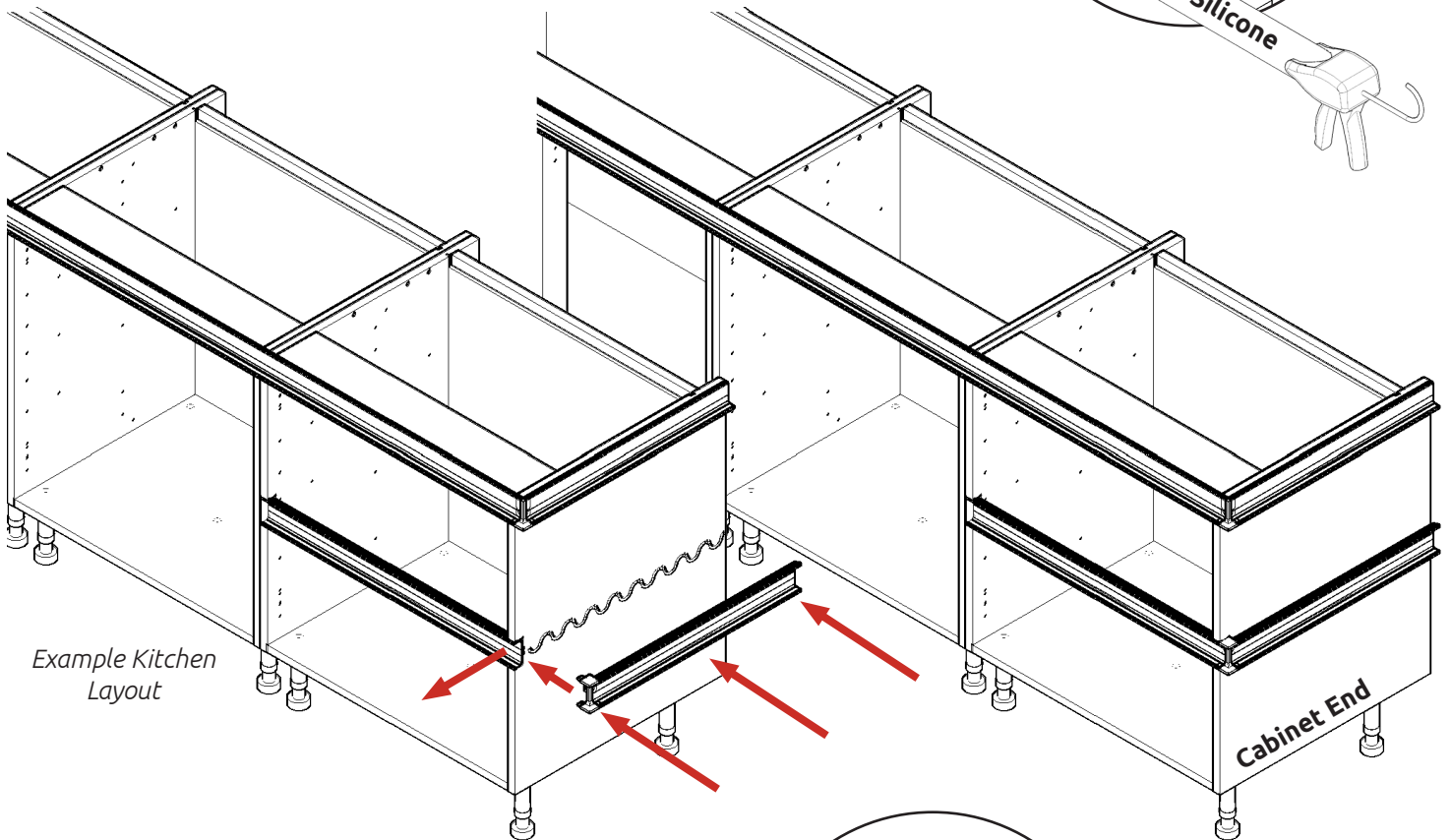
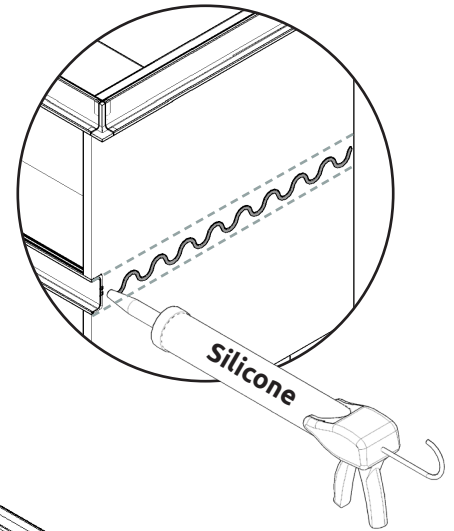
Attach the profile to the right side of the middle external corner piece. Secure together with the screw on the back of the corner piece.

MILANO PROFILE

Middle Profile Inc External Corner

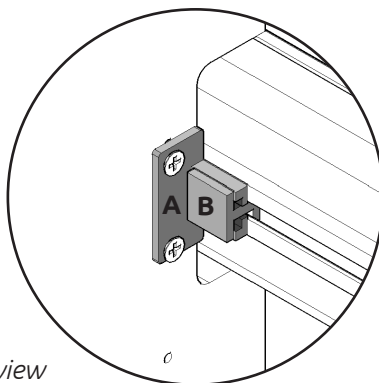
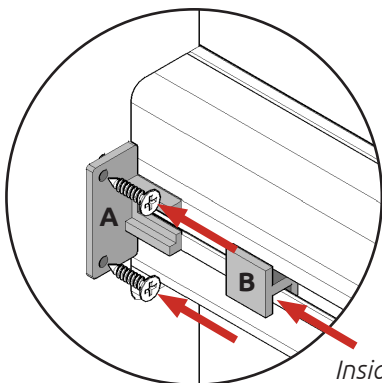
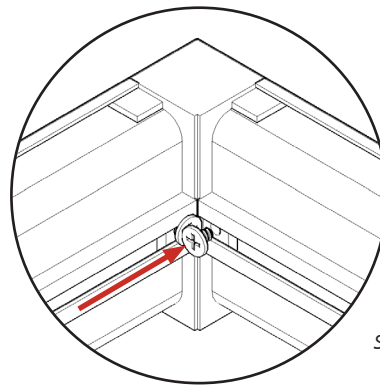
Step 17.

Mark the parameters of the end milano profile. Apply adhesive silicone with in the marked region.



Step 18.

Pull the front middle profile out and connect to the profile with the attached external corner piece from step 16. Secure together with the screw on the back of corner piece. Once connected press the profile firmly with equal pressure onto the silicone to secure it in place. Ensure the profile is level and perpendicular to the front.

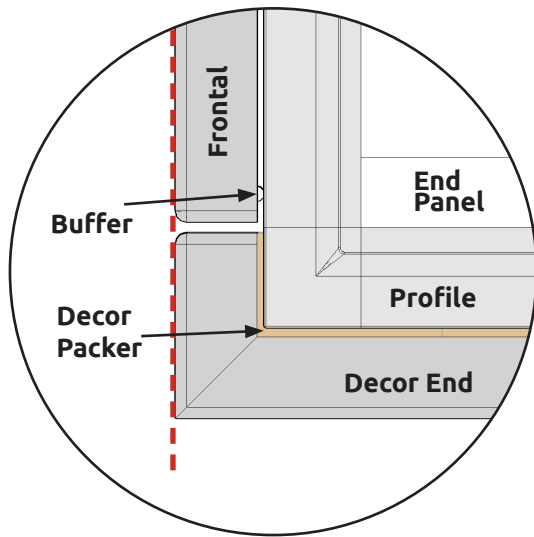


Step 19.

Attach part A of the profile fixing to the inside face on both sides of the cabinet (and on all cabinets that the profile goes across) using 2 x 5/8" (15mm) screws for each fixing. Now slide part B of the fixing on to part A locking the profile in place on the cabinet.

MILANO PROFILE

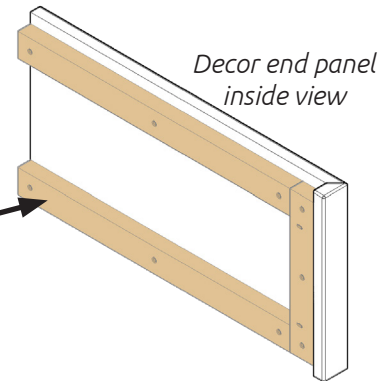
Top & Middle Profile
Inc External Corner
& Decor End



Top View
Align decor end with frontal

Step 20.

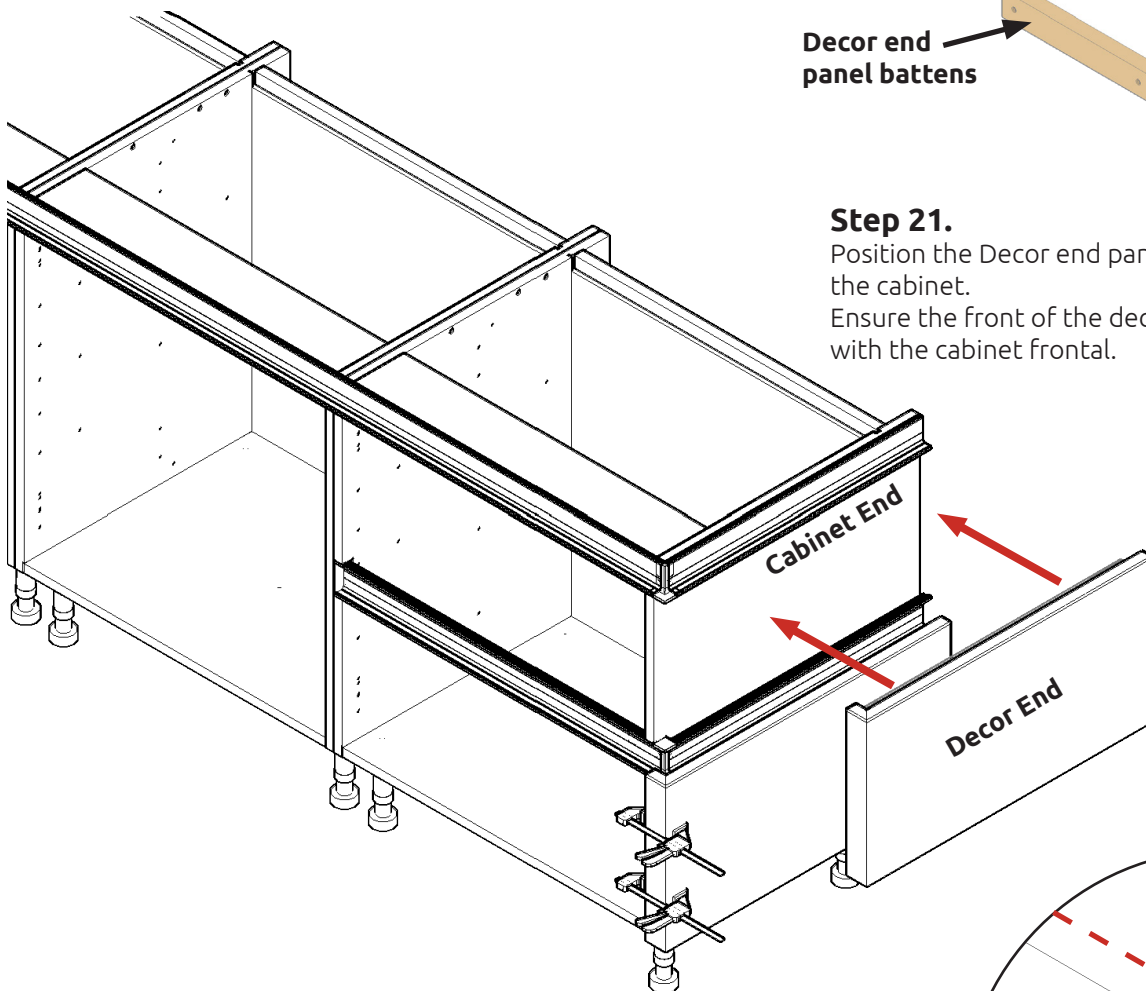
The depth of the decor end panel is the depth of the cabinet (customer specific) plus the thickness of the cabinet frontal (customer specific) plus 1/16" (2mm) for the door buffer. Scribe the decor end panel to the customers wall for a flush fit.



Decor end panel battens

Step 21.

Position the Decor end panel in place and clamp to the cabinet. Ensure the front of the decor end panel is in line with the cabinet frontal.

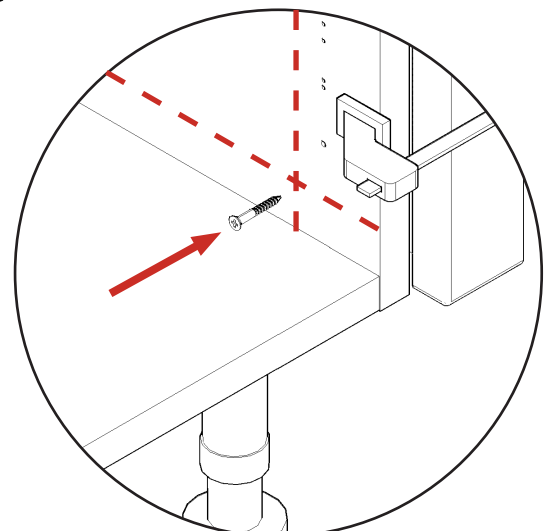


Step 22.

Secure the decor end panel to the cabinet end panel using 4 x 1 1/4" (30mm) screws per decor end panel. Locate the screws just to the rear of the pre drilled holes at the front and back of the cabinet. Ensure you screw through the cabinet end panel from the inside into the decor end battens. The centre of the battens are located 1" (25mm) up from the base fixed shelf and 1" (25mm) above or below the milano profiles.

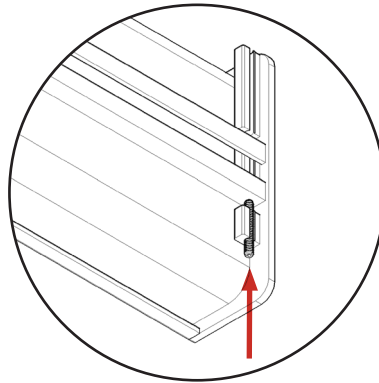
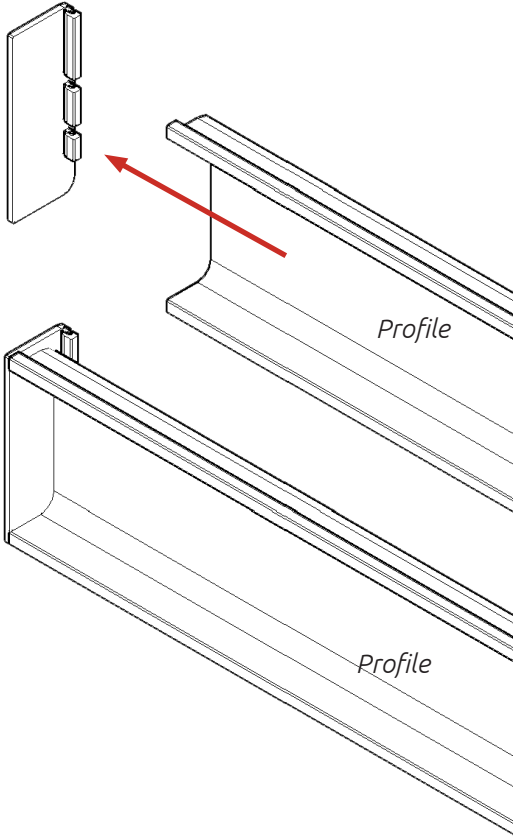
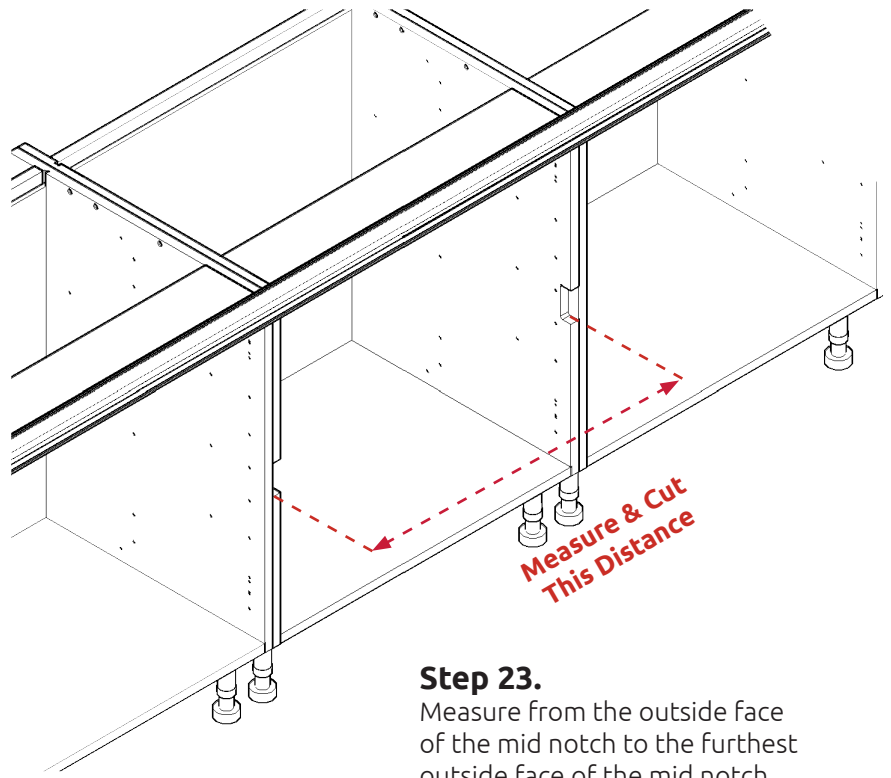
Note.

If the top profile doesn't wrap around the side of the cabinet, the decor end will go from the floor to top of the end panel and line up with the cabinet frontal.



MILANO PROFILE

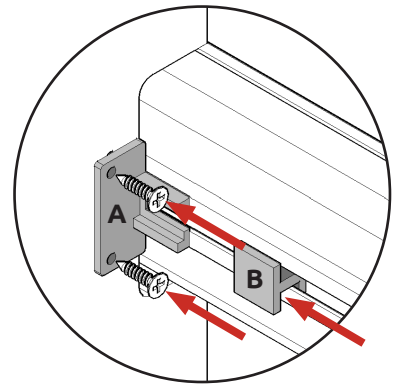
Middle Profile
Inc End Caps



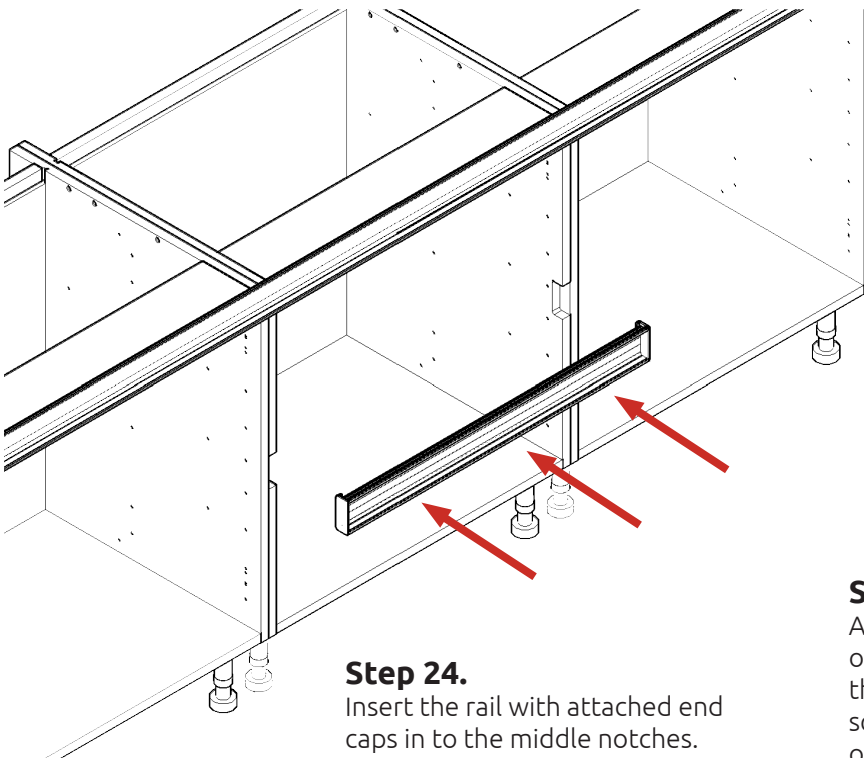
Close up of screw detail

Step 23.

Measure from the outside face of the mid notch to the furthest outside face of the mid notch along the run of cabinets. Subtract the thickness of the end caps from the measurement. Cut to size and attach the end caps to the profile. Secure together with the screws on the back of end caps using a hex key.

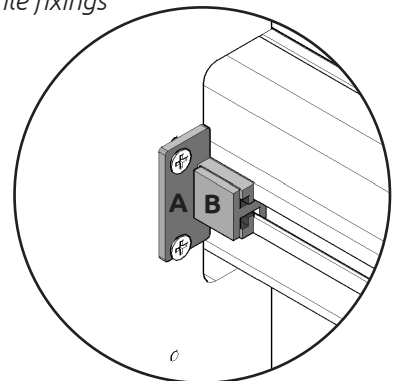


Inside view of profile fixings



Step 24.

Insert the rail with attached end caps in to the middle notches.

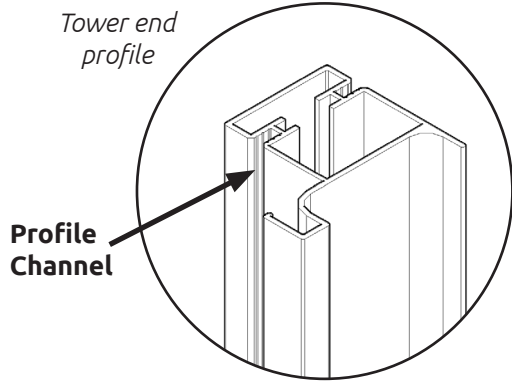


Step 25.

Attach part A of the profile fixing to the inside face on both sides of the cabinet (and on all cabinets that the profile goes across) using 2 x 5/8" (15mm) screws for each fixing. Now slide part B of the fixing on to part A locking the profile in place on the cabinet.

MILANO PROFILE

Tower End Profile Inc Decor End Panel



Note.

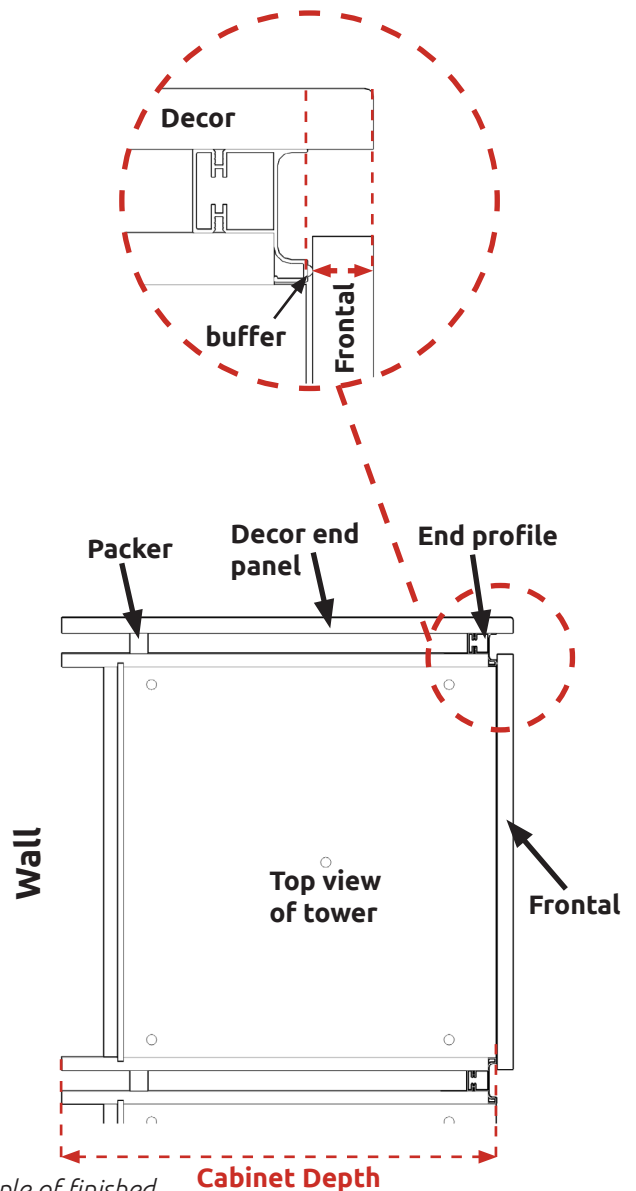
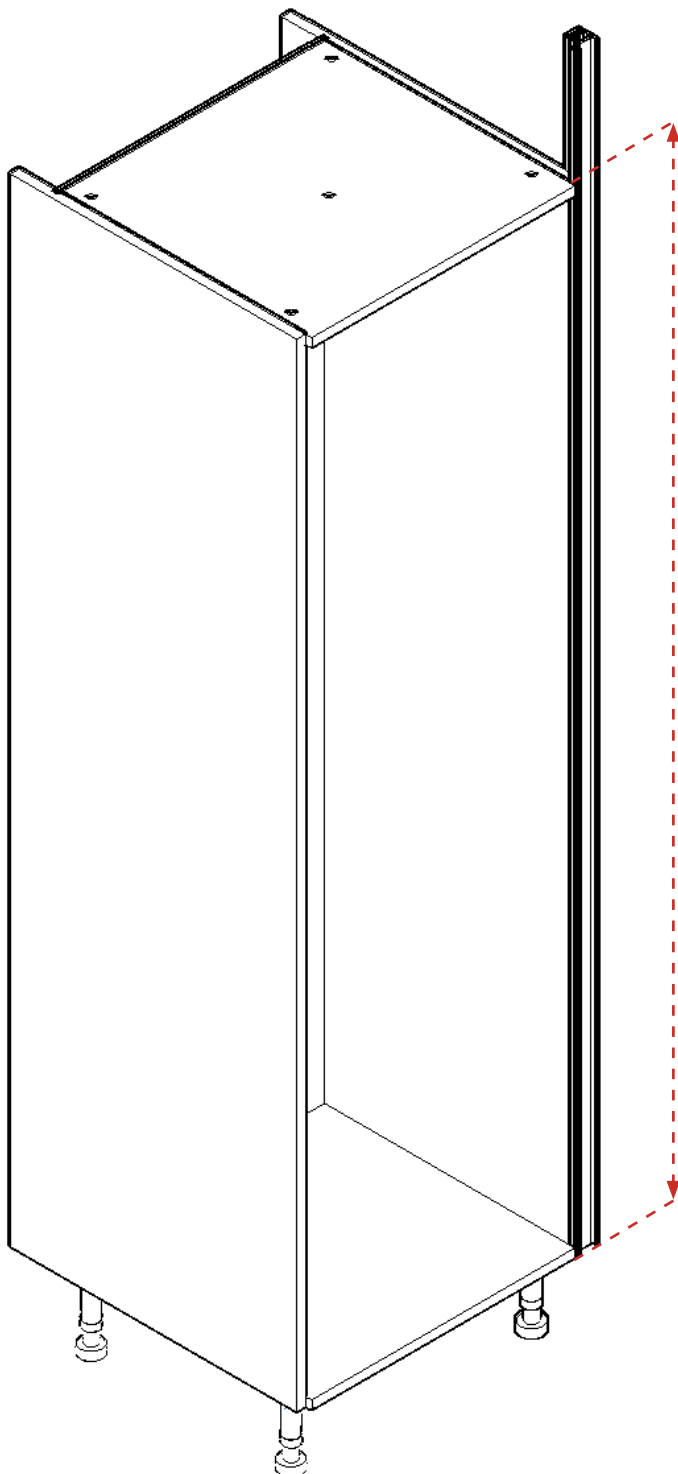
When screwing in to a tower profile screws must go into the channel which is 1 3/8" (35mm) back from the front edge of the cabinet.

Step 26.

Align the tower profile with the bottom of tower. Measure from the bottom to the top of cabinet. Cut to size.

Step 27.

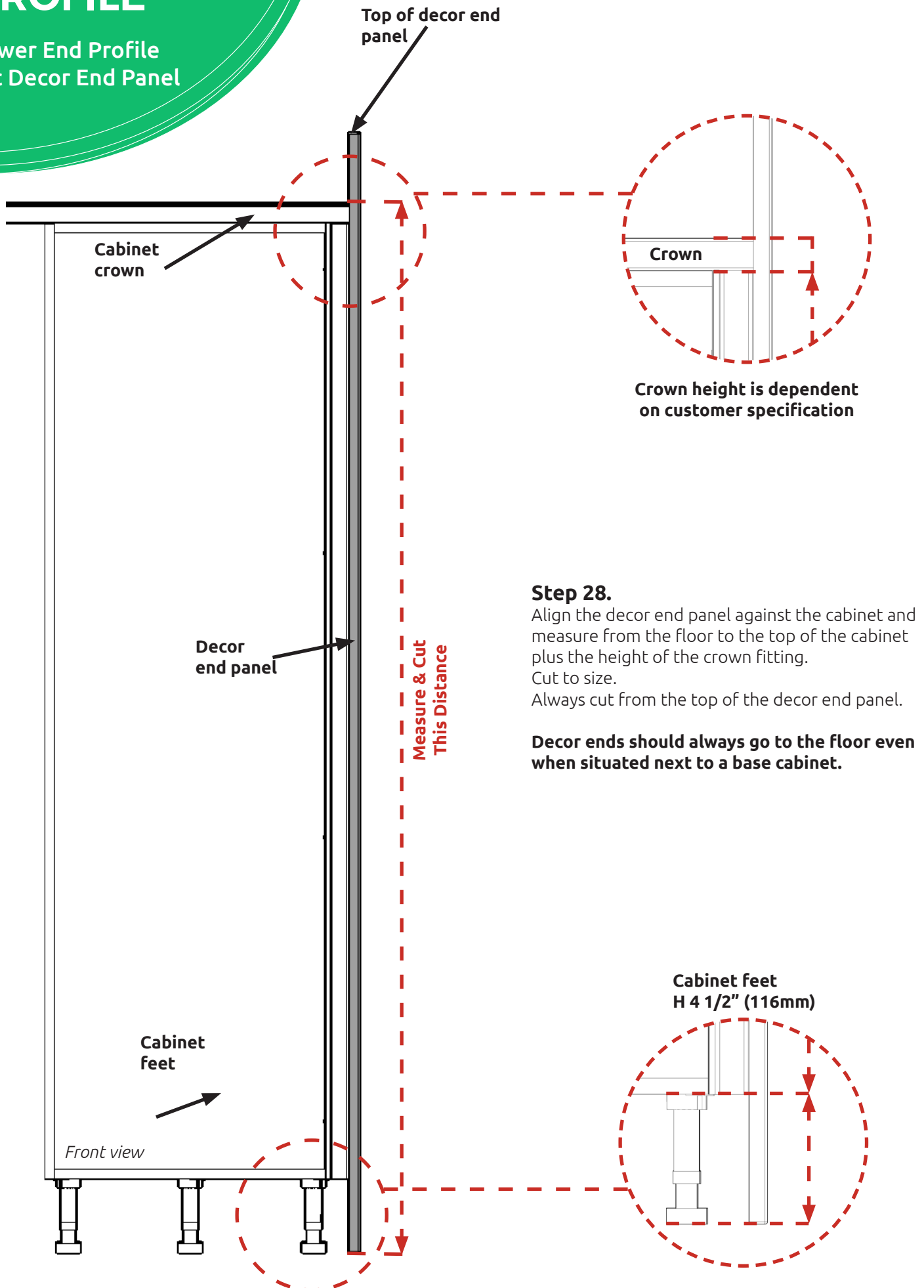
The depth of the decor end panel is the depth of the cabinet (customer specific) plus the thickness of the cabinet frontal (customer specific) plus 1/16" (2mm) for the door buffer. Scribe the decor end panel to the customers wall for a flush fit.



Example of finished decor end and profile with frontal.

MILANO PROFILE

Tower End Profile
Inc Decor End Panel



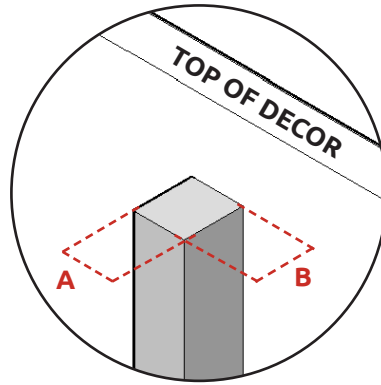
MILANO PROFILE

Tower End Profile
Inc Decor End Panel

Packer.

Side A = 1" (25mm)
Side B = 1 1/4" (30mm)

Side A needs to be against the decor end and the cabinet.

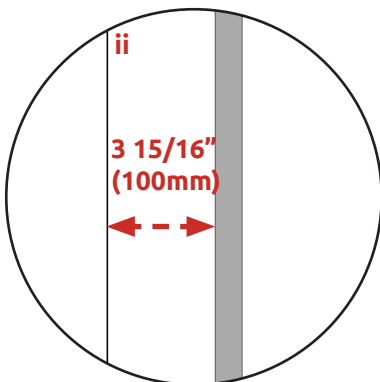
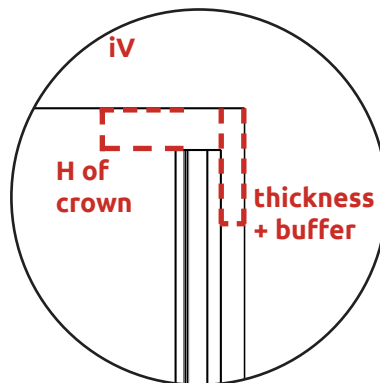
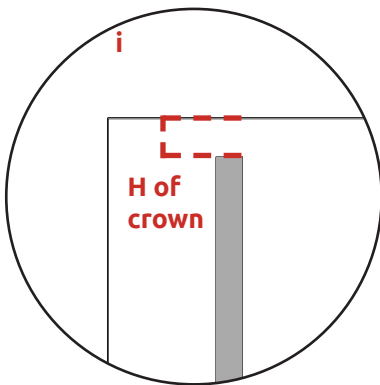


Packer note.

If the tower houses an appliance the screws should be situated behind the appliance.

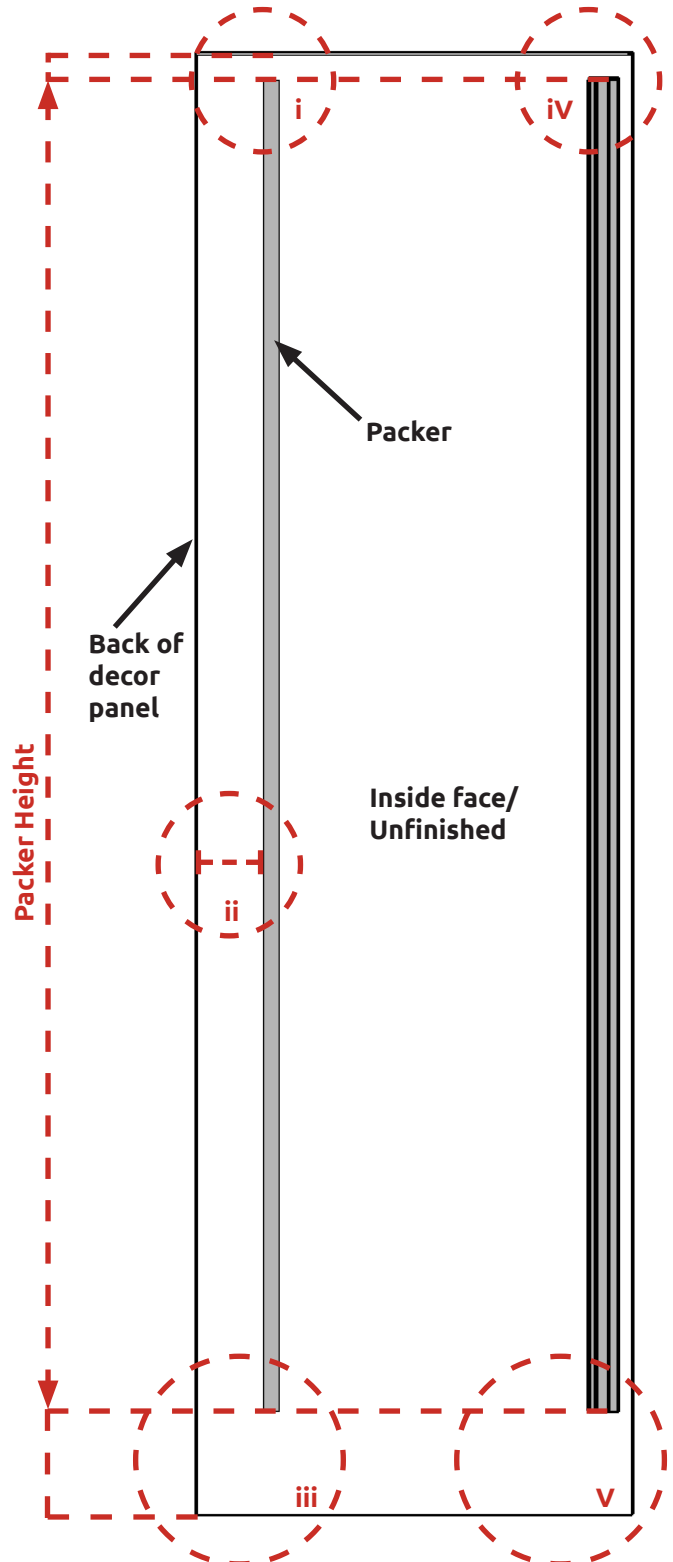
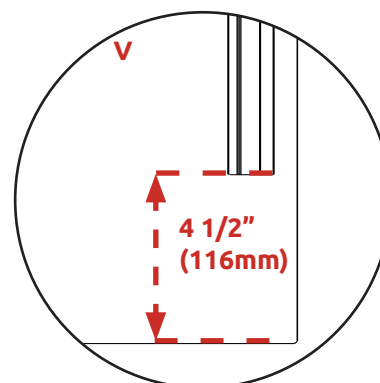
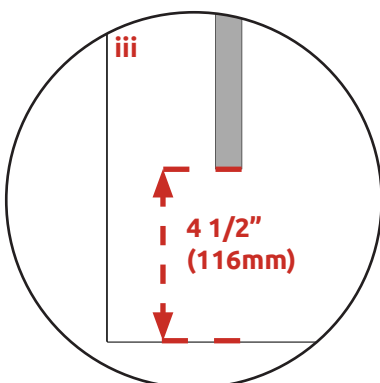
Step 29i.

Packer to be situated on the inside face 4 1/2" (116mm) from the bottom of the decor panel, the height of the crown from the top and 3 15/16" (100mm) from the back. Screw the packer to the decor panel with 5 x 1 3/4" (45mm) screws evenly space. Screws need to be countersunk for decor panel to sit flush against the tower. The packer will need to be cut to fit.



Step 29ii.

Profile is situated on the inside face 4 1/2" (116mm) from the bottom of the decor panel, the height of the crown from the top and the thickness of the + buffer from the front. Screw the profile to the decor panel with 4 x 1 3/4" (45mm) screws evenly space. Screws need to be countersunk for decor panel to sit flush against the tower.



MILANO PROFILE

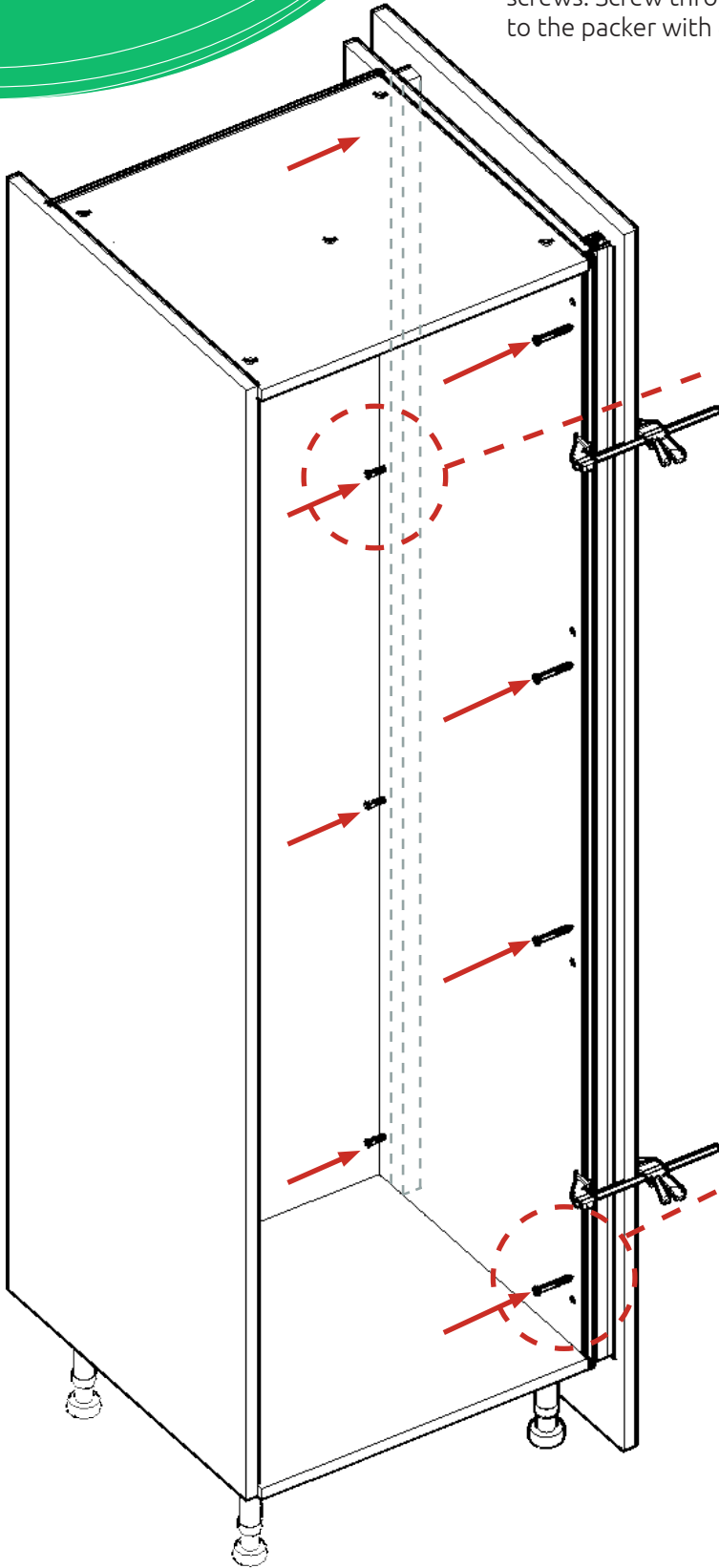
Tower End Profile Inc Decor End Panel

Step 30.

Position the Decor end panel in place, clamp to the tower and secure with 4 x 1 1/4" (30mm) at the back and 4 x 2 3/8" (60mm) screws at the front.

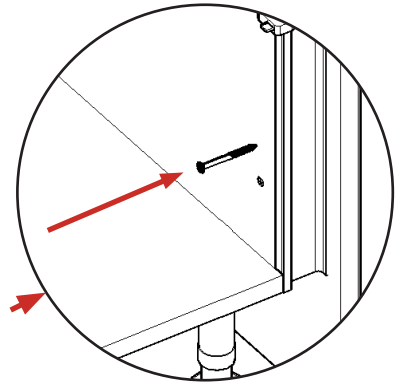
Step 30i.

Secure the tower to the back of the decor end panel with 4 equally spaced screws. Screw through the tower end panel on the inside face at the rear in to the packer with 4 x 1 1/4" (30mm) screws.



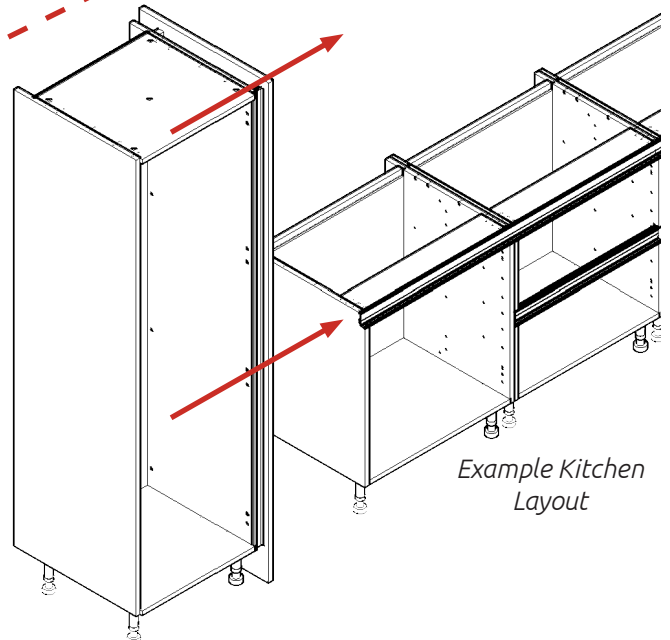
Step 30ii.

Secure the tower to the front of the decor end panel with 4 equally spaced screws. Place the screws above or below the screws from step 24. Screw through the tower end panel on the inside face at the front, through the tower end profile and in to the decor end panel using 4 x 2 3/8" (60mm) screws.



Step 31.

With the decor end secure move the tower into situ.

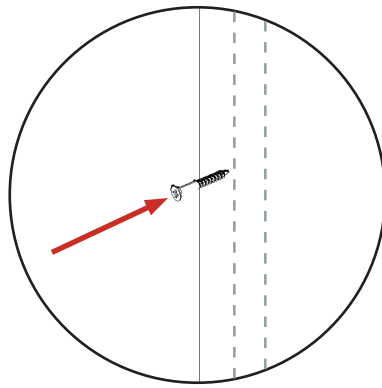


MILANO PROFILE

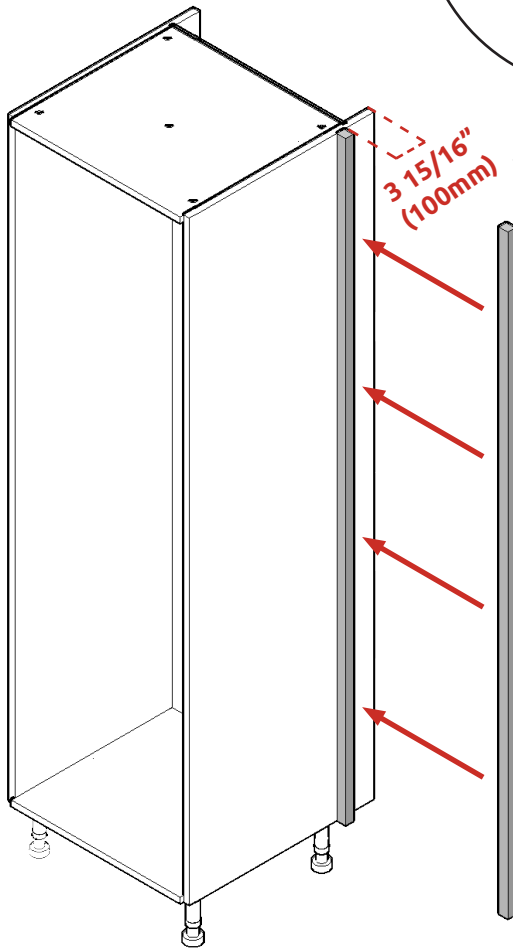
Tower Middle Profile

Step 32.

Place the packer on the outside of the tower end panel, $3 \frac{15}{16}$ " (100mm) from the back and secure to the tower with 4 x $1 \frac{1}{4}$ " (30mm) screws equally spaced on the inside face in to the packer.

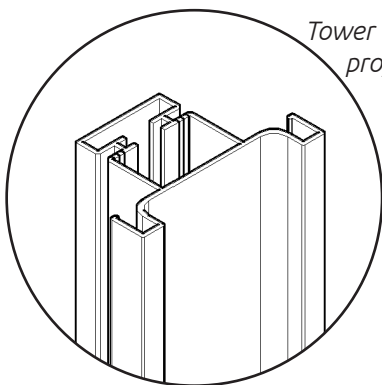
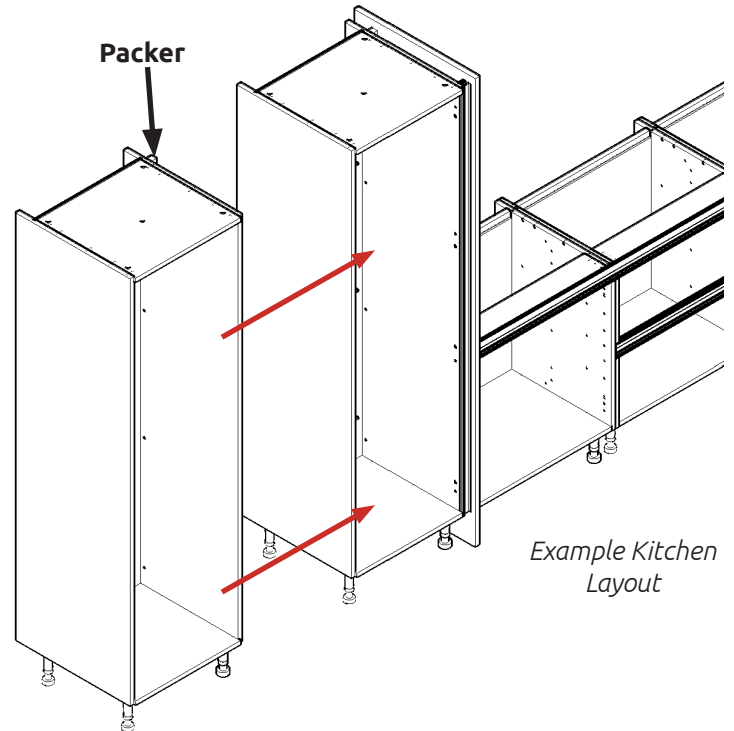


Inside View
Screw in to Packer

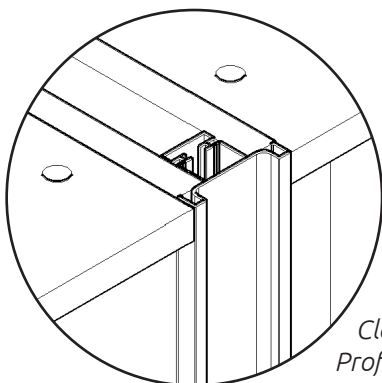


Step 33.

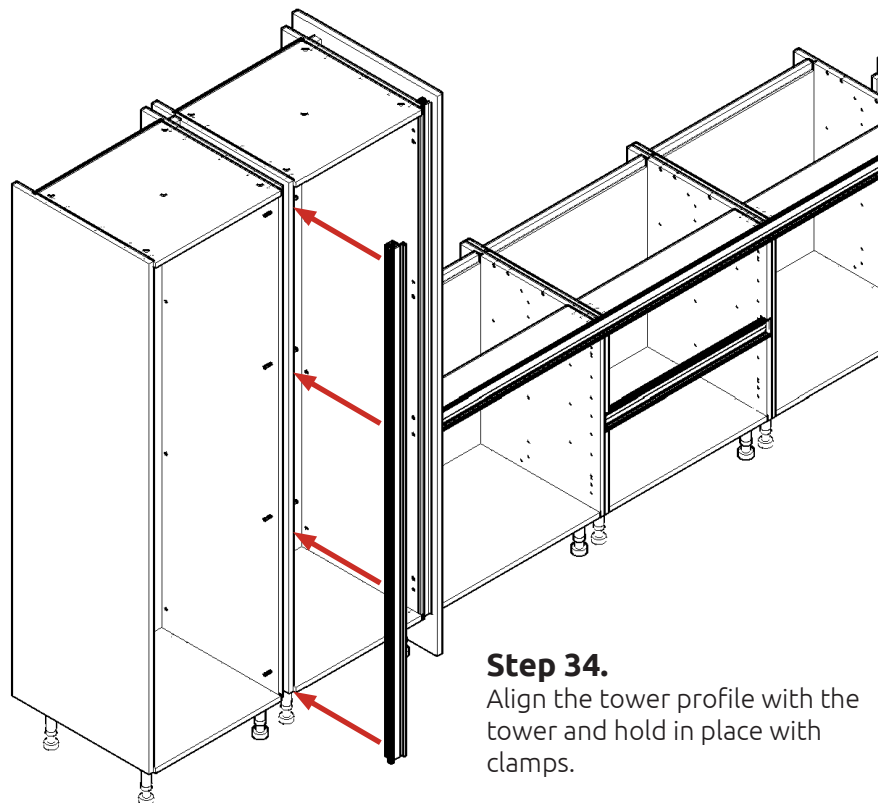
With the packer secured move the tower into situ.



Tower middle
profile



Close up of
Profile in place



Step 34.

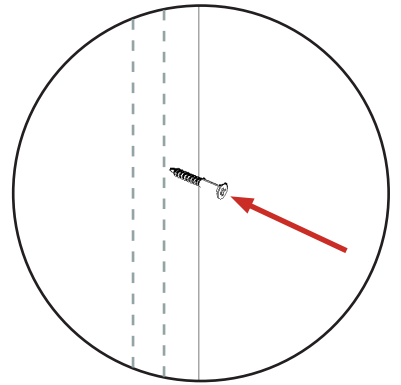
Align the tower profile with the tower and hold in place with clamps.

MILANO PROFILE

Tower Middle Profile

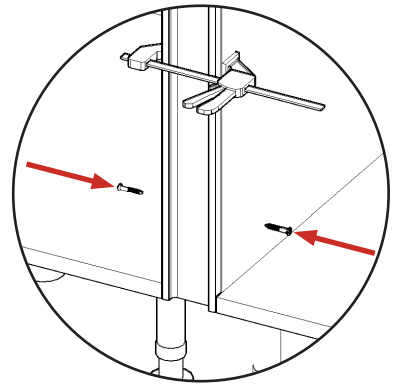
Step 35.

Secure the two towers together with 16 x 1 1/4" (30mm) screws.



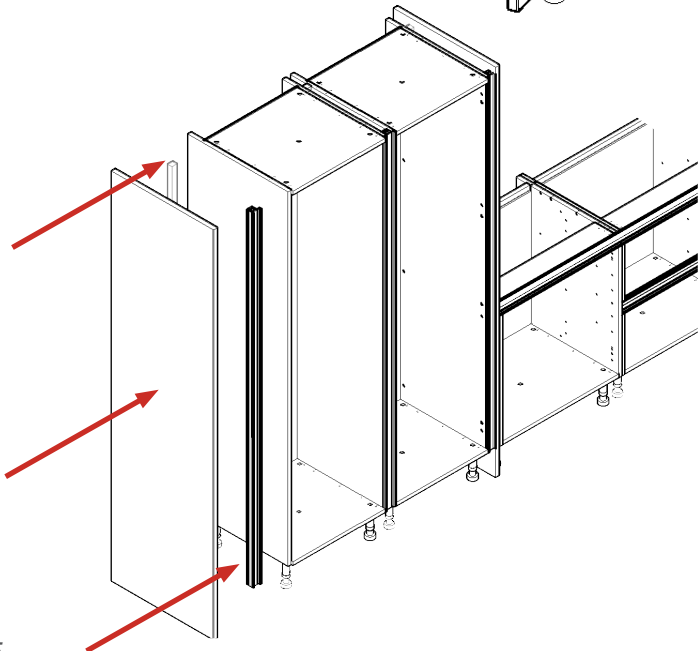
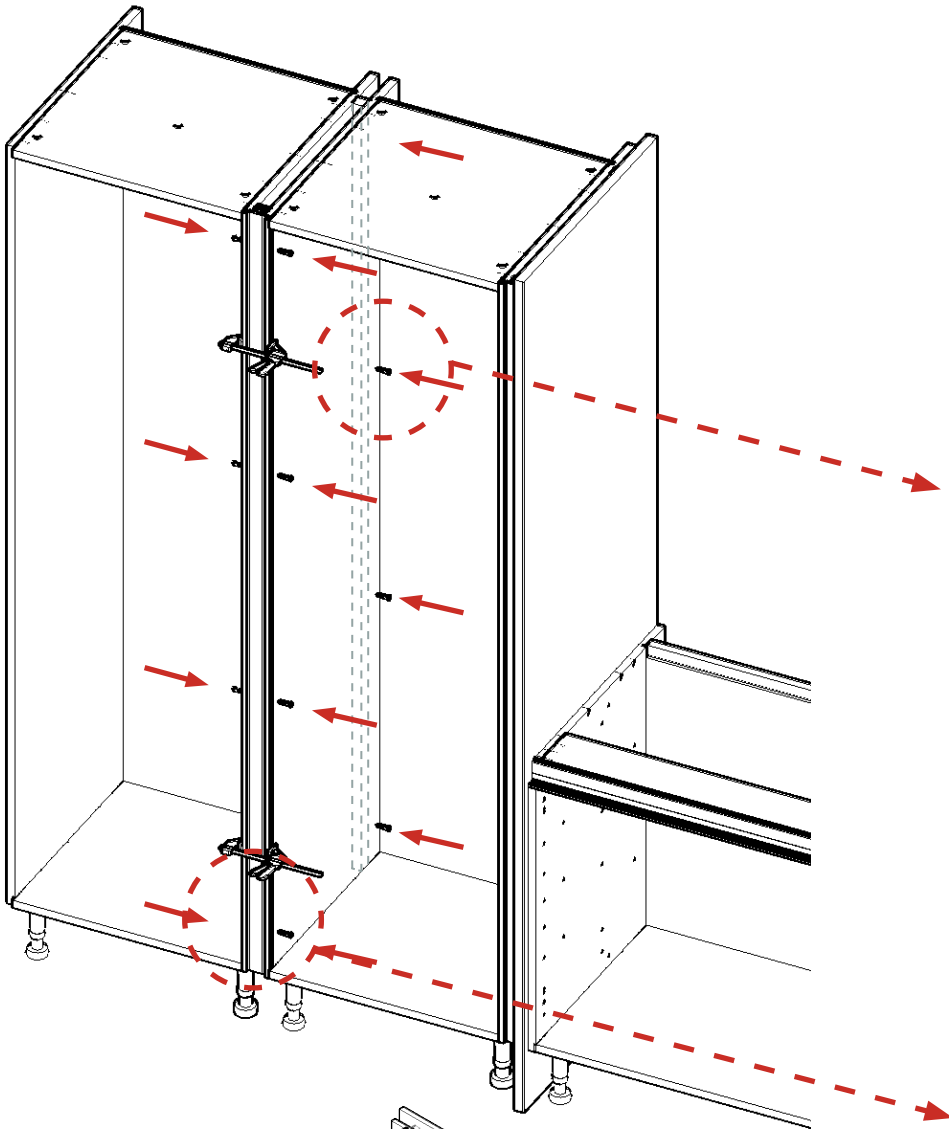
Step 35i.

Secure the towers together with 4 equally spaced screws to the rear of each cabinet in to the packer.



Step 35ii.

Secure the towers together with 4 equally spaced screws. Screw through the tower end panel on the inside face at the front in to the middle tower profile in both cabinets.



Step 35iii.

Repeat steps 30 - 33 for all connecting all towers in the run of cabinets.

Step 36.

Install the decor end on the last tower repeating steps 24 - 28.