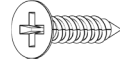


ADJUSTABLE CORNER BASE CABINET MILANO Fitting Guide

FI.PK.FIT.015 - BASE 3 MILANO



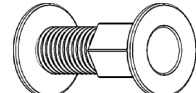
(H) x16 1 1/4" Screws



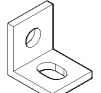
(B) x34 5/8" Screws



(K) x2 L Bracket - Large



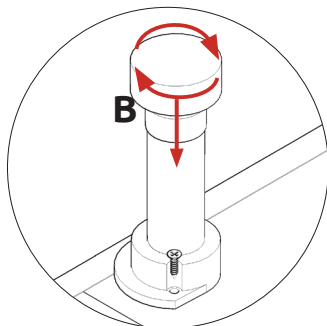
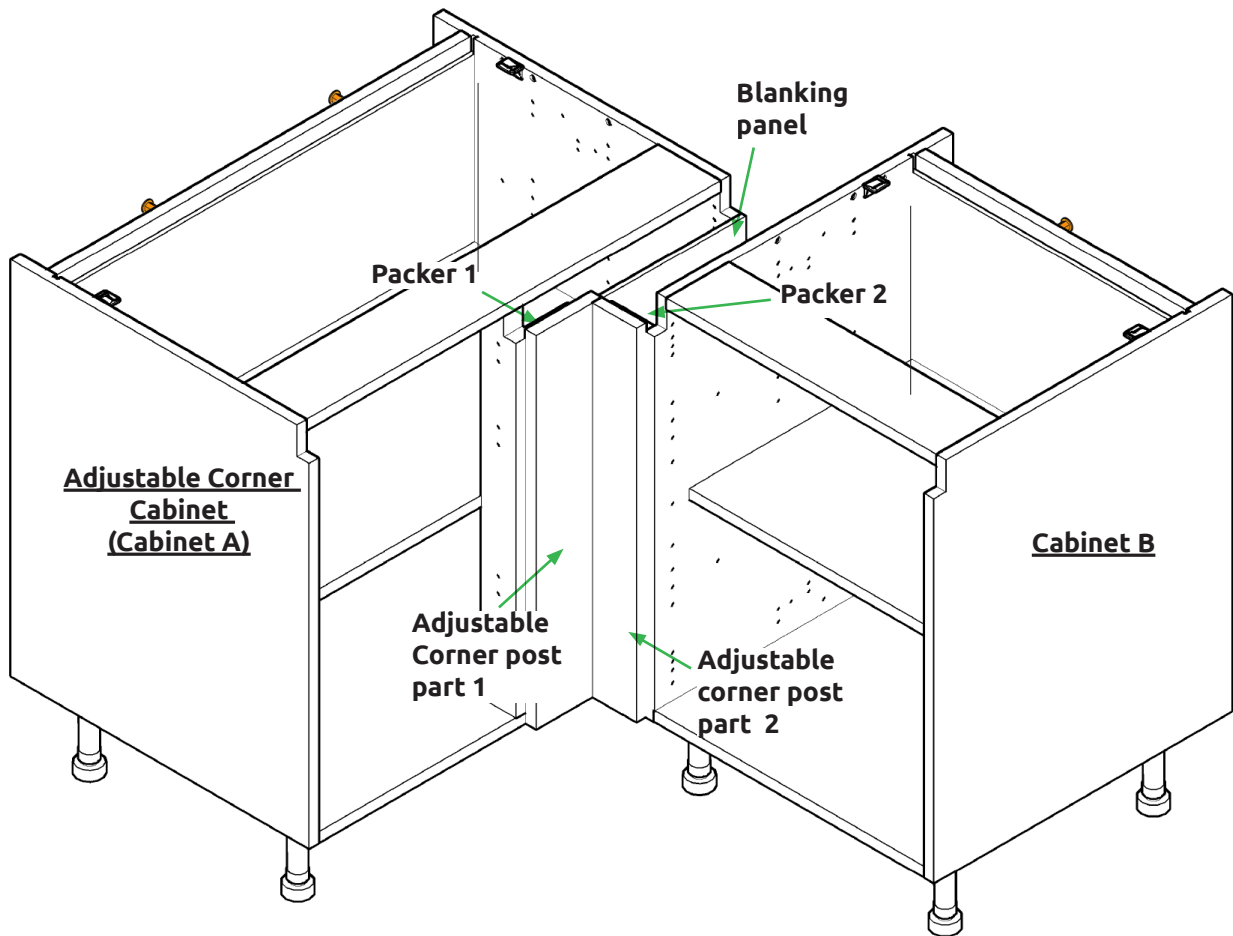
(V) x2 XL Space-Plug



(J) x2 L Bracket - Small



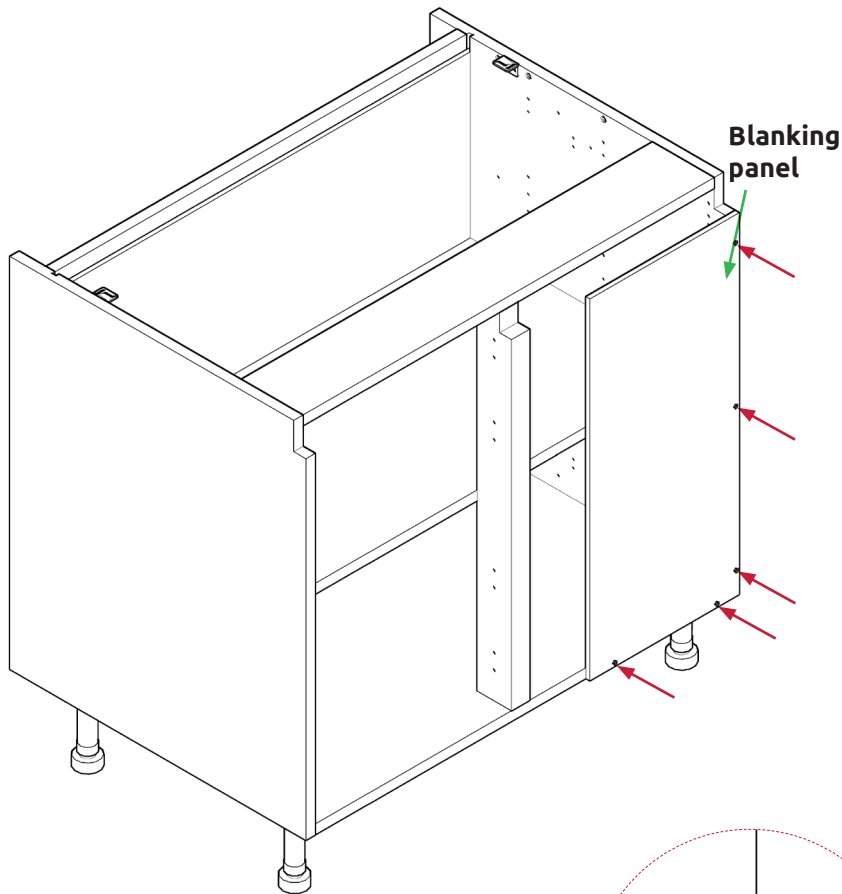
Screws for attaching to walls and countertop are not provided as these vary depending on materials, thickness and construction. Ensure appropriate fixings for wall and countertop construction are used. Please refer to the specialist countertop supplier if these are required for solid surface countertops.



Step 1.

Secure each leg into place with 2 x 5/8" screws (B). Ensure legs are rotated as shown so that part is supporting the end panel.

ADJUSTABLE CORNER BASE CABINET MILANO Fitting Guide

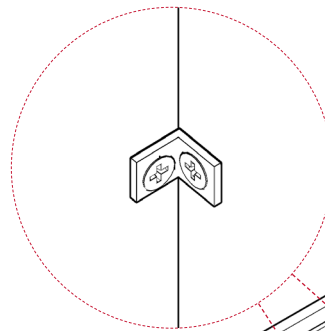


Step 2.

Cut Blanking panel to required width and height (refer to customer specific plan) and attach to cabinet face as shown.

Step 3.

Press packer 1 tightly against the muntin post and screw through the bottom of the cabinet using 2 x 1 1/4" (H) screws to secure in place.

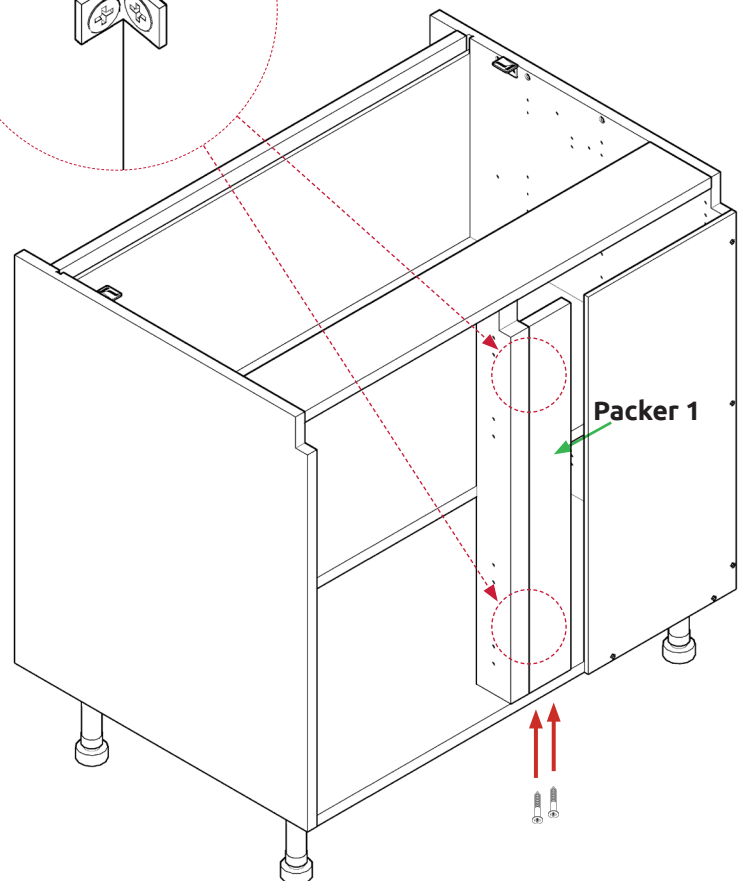


Step 4.

Using 5/8" screws (B) secure each of the small L Brackets (J) to the muntin post at the top and bottom of the cabinet, then screw through the small L Brackets using 5/8" screws (B) to secure the packer to the muntin post.

Step 5.

Use 2 x 5/8" screws (B) to secure each of the Large L Brackets to the cabinets at either side as shown.

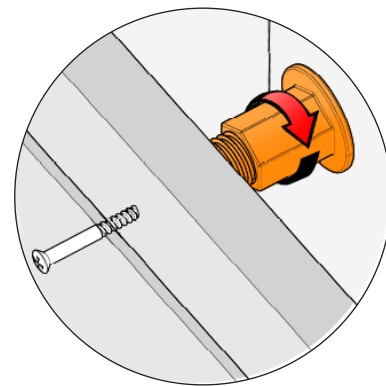


ADJUSTABLE CORNER BASE CABINET MILANO Fitting Guide

Step 6.

Secure cabinet to the wall using XL Space-Plugs (V).

Use a stud finder to locate the studs on the wall, drill pilot holes through the back brace of the cabinet into the wall at the stud locations. Unwind the XL Space-Plug (V) until it contacts both surfaces, insert and tighten an appropriately sized screw through the back of the cabinet and the XL Space-Plug (V) into the wall. (Use appropriate fixing for wall construction where stud is not available)



Step 7.

To create your corner post attach part 1 and part 2 as shown. Screw through part 1 into part 2 at 4 locations using 4 x appropriately sized screws.

Corner post size can be adjusted by cutting parts 1 and 2 (see step 8), in accordance to customer kitchen plan.

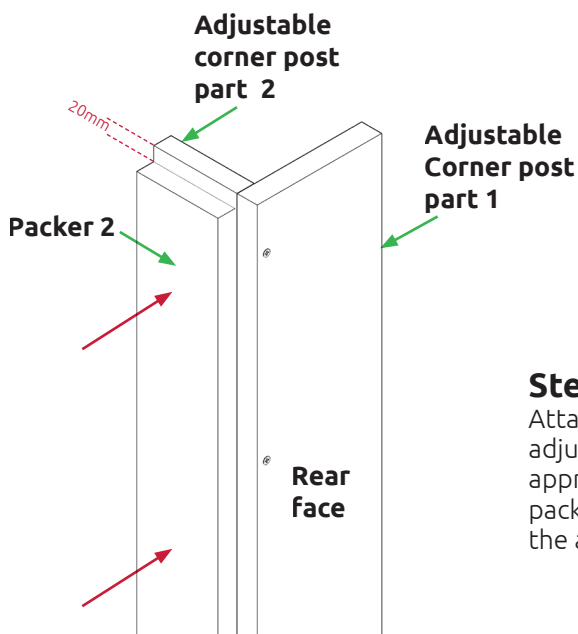
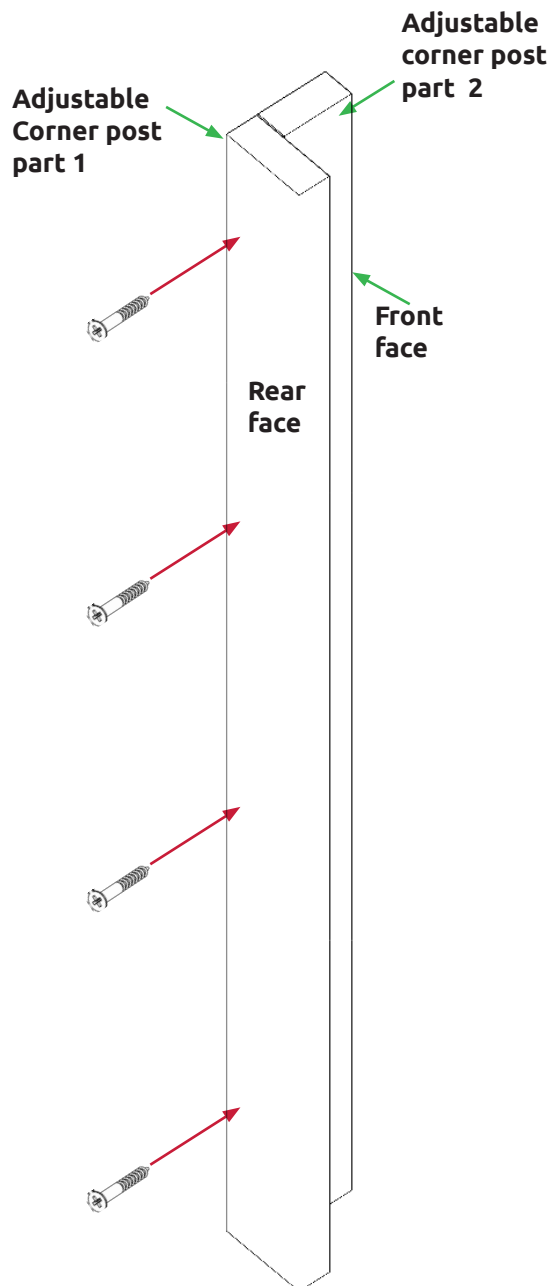
Step 8.

Refer to the customer kitchen plan to calculate the width required for the adjustable corner post part 1 and 2.

Cut adjustable corner post part 1 and 2 to the width required.

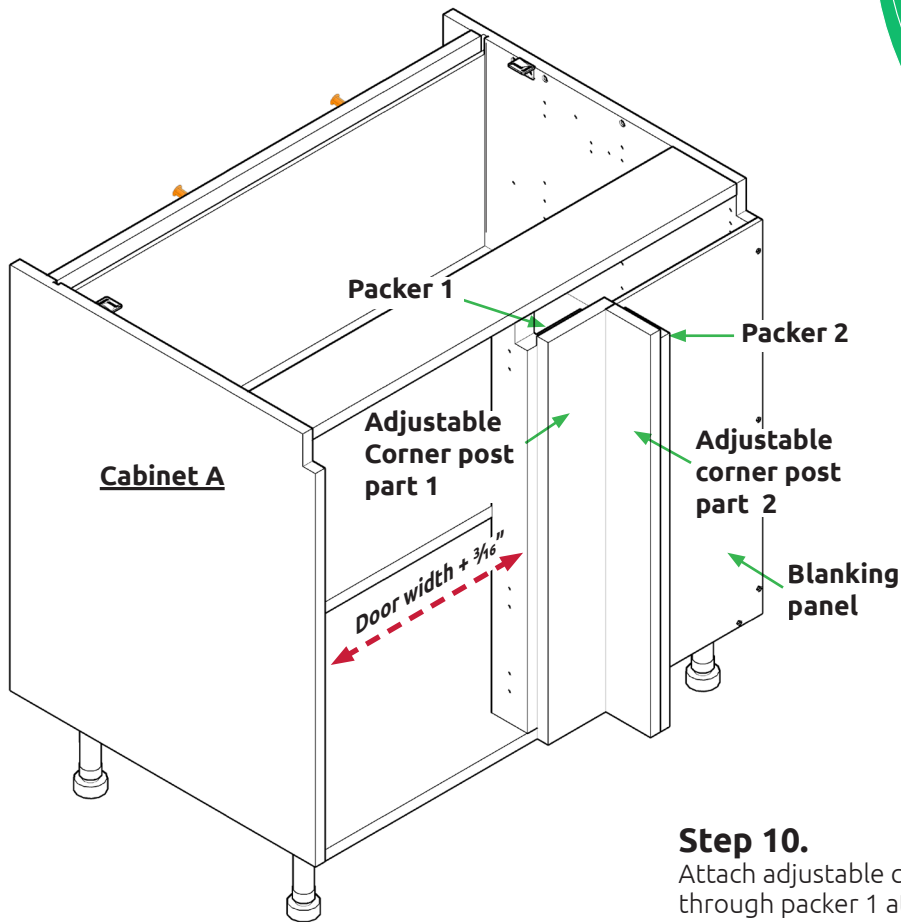
Cut Packer 2 to the same width as adjustable corner post part 2 and 20mm shorter in length.

Measure from the front face, as not to remove the front profile.



Step 9.

Attach packer 2 to the rear face of adjustable corner post part 2 using appropriate screws, setting the packer down 20mm from the top of the adjustable corner post.



Step 10.

Attach adjustable corner post to cabinet A, by screwing through packer 1 at four locations, using 4 x 1 1/4" screws (H).

(For location refer to customer kitchen plan)

Make sure that the distance between the front of the corner post and the external face of the end panel is the width of the door + 3/16" (4.5mm).

Step 11.

Secure cabinet B to the corner post by screwing through the end panel into packer 2 at the top and bottom of the cabinet.

Make sure that the front of the adjustable corner post and the door are aligned.

Step 12.

Secure cabinet B to the wall using a Space-Plug (U), as per instructions on page 3.

Step 13.

Place cover caps over visible screw heads to conceal them on the inside of cabinet B.

