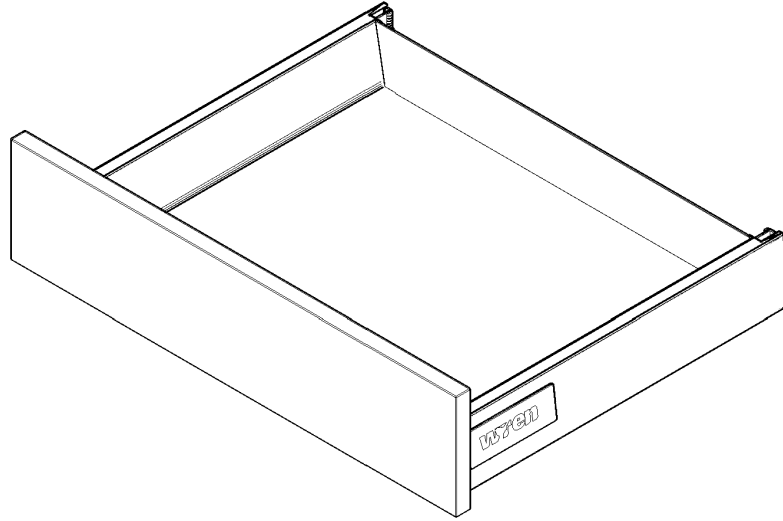


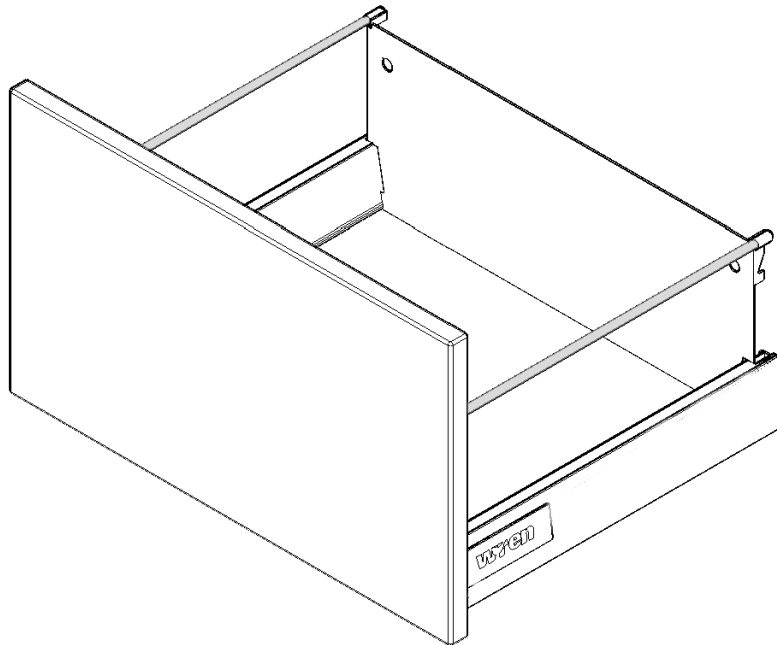
FRONTALS

INFINITY Attachment Guide

INFINITY



Standard Drawer



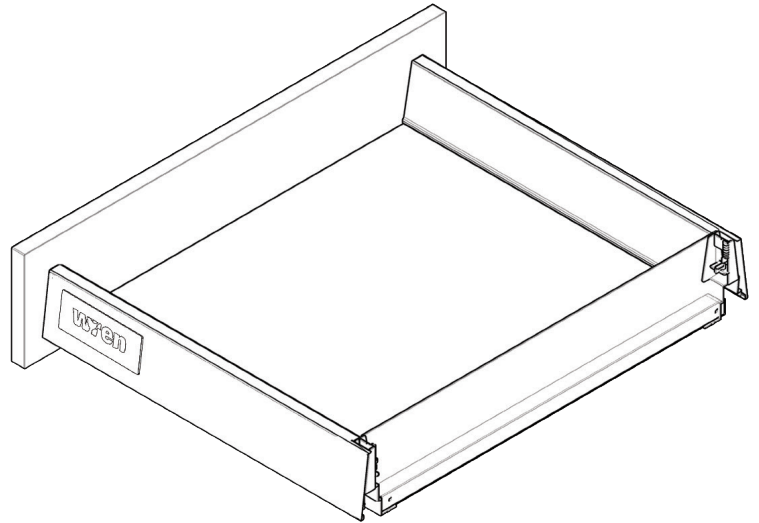
Gallery Rail Drawer

wren
KITCHENS

FRONTALS

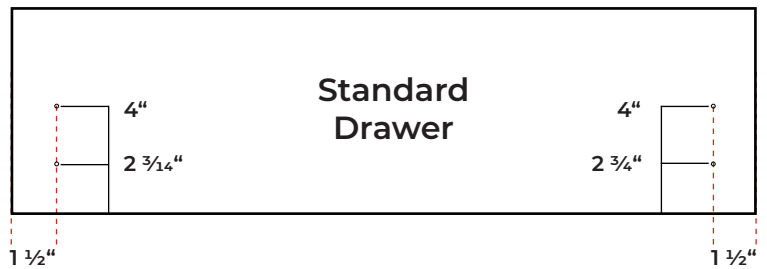
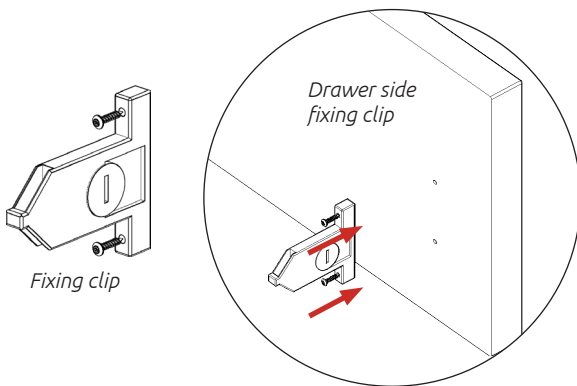
INFINITY Attachment Guide

STANDARD DRAWER



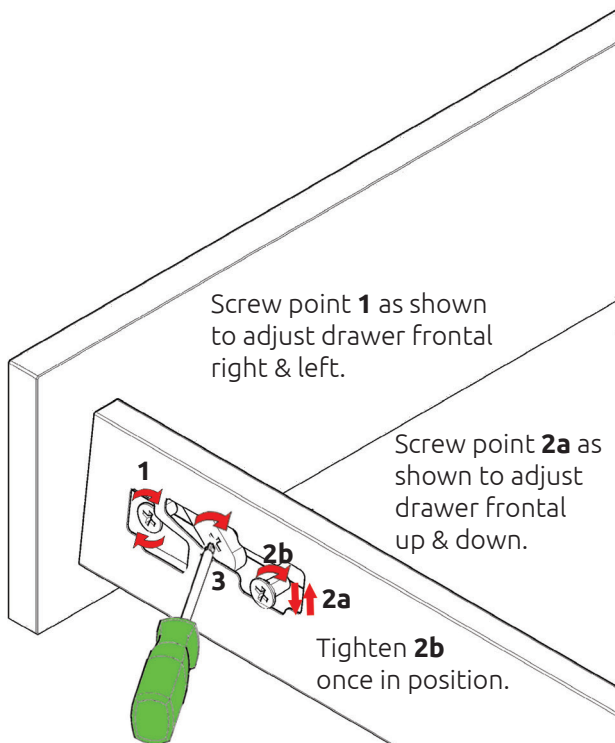
Step 1.

Secure drawer side fixing clips using 2 x 1³/₁₆" screws per clip using the spiked positions.



DRAWER FRONTAL ADJUSTMENT

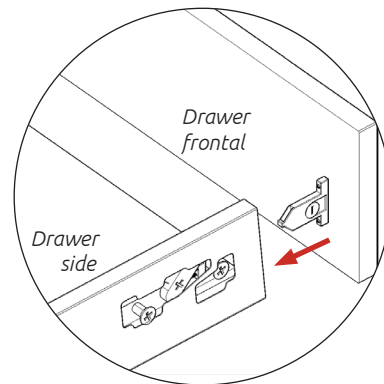
View on side of drawer side



Releasing fixing clip. Screw point **3** whilst applying downward pressure as shown to release.

Step 2.

Push fit drawer side fixing clips onto drawer side.

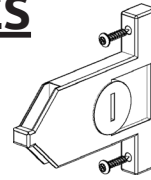
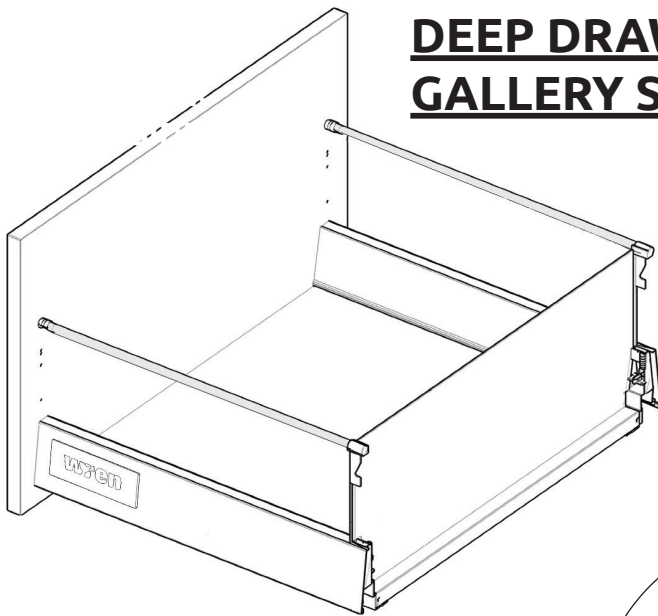


Step 3.

Fit drawer cover caps over drawer side adjustment.



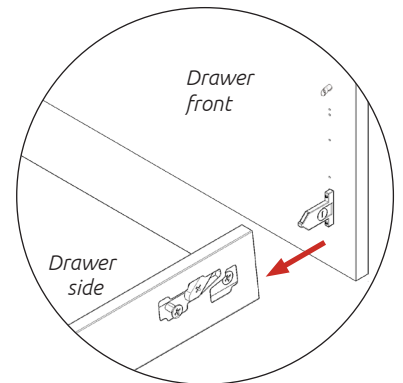
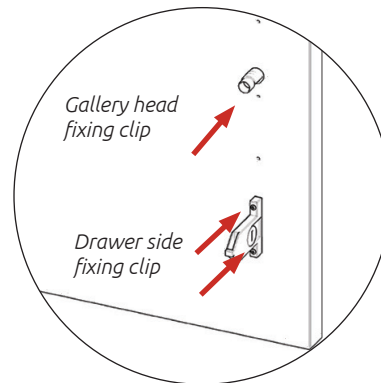
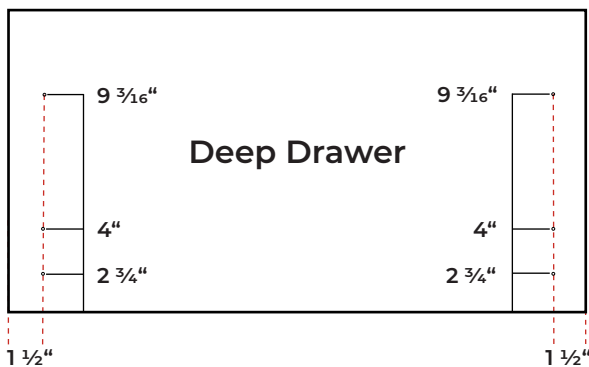
DEEP DRAWER, GALLERY SIDES



Fixing clip

Step 1.

Secure gallery head fixing clips using 1 x 9/16" screw and secure drawer side fixing clips using 2 x 13/16" screws located with the spiked positions.



Step 2.

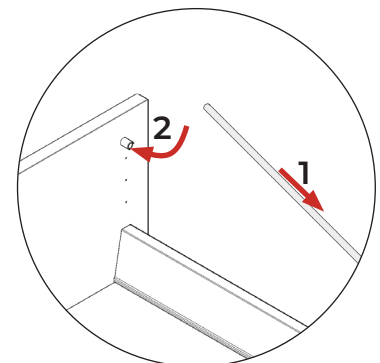
push fit drawer fixing clips onto drawer side.

Step 3.

A. Clip gallery rail into the top corners of the metal back panel.

B. Locate front end of the gallery rail into the opening of the gallery head fixing clip, which is secured to the frontal as shown.

C. Slide cover over Gallery head to lock into position.

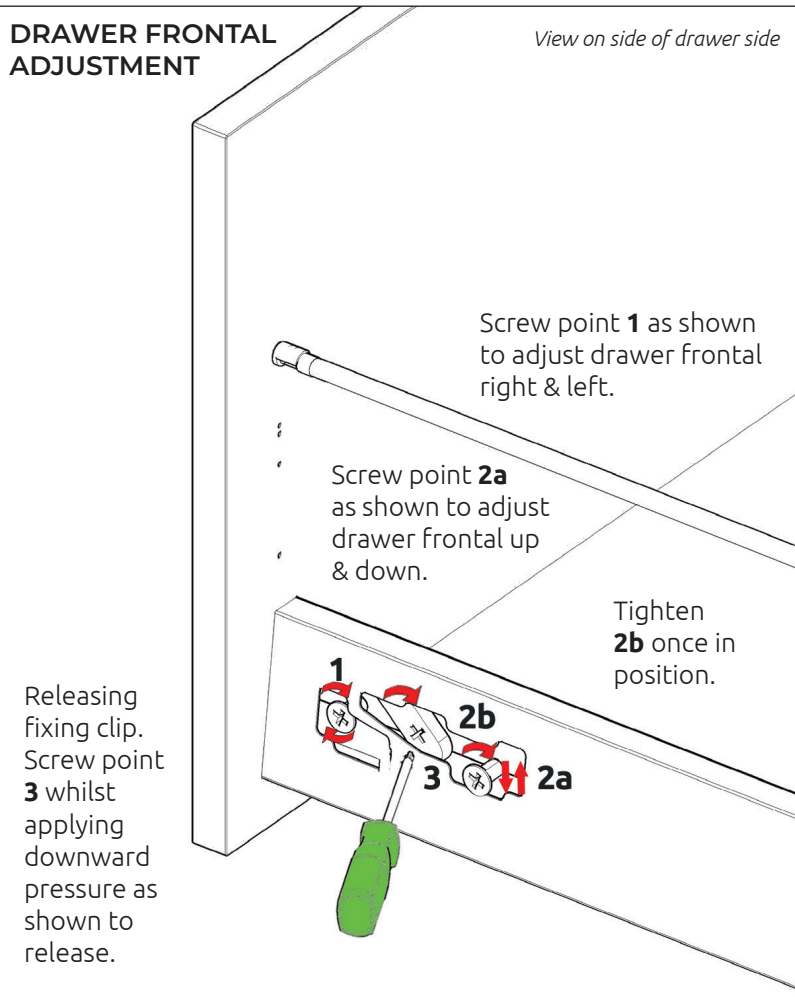


Step 4.

Fit drawer cover caps over drawer side adjustment.

DRAWER FRONTAL ADJUSTMENT

View on side of drawer side



Drawer Cover Cap

wren
KITCHENS