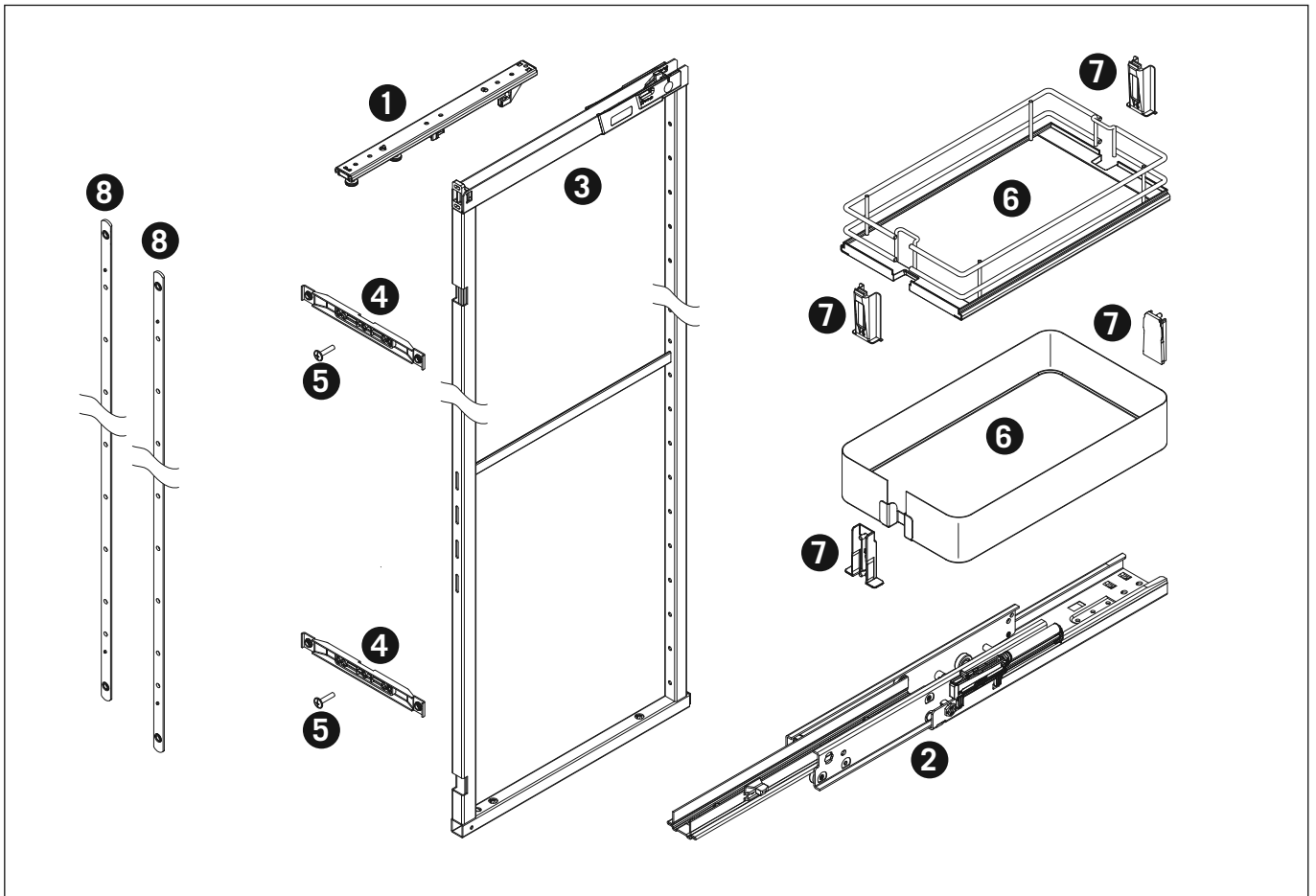
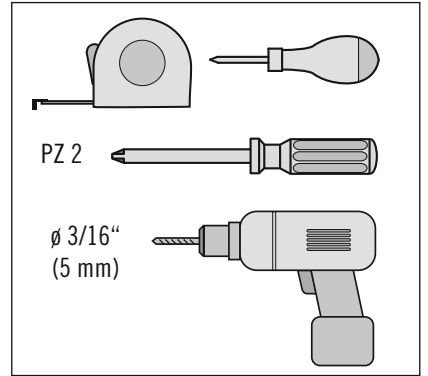
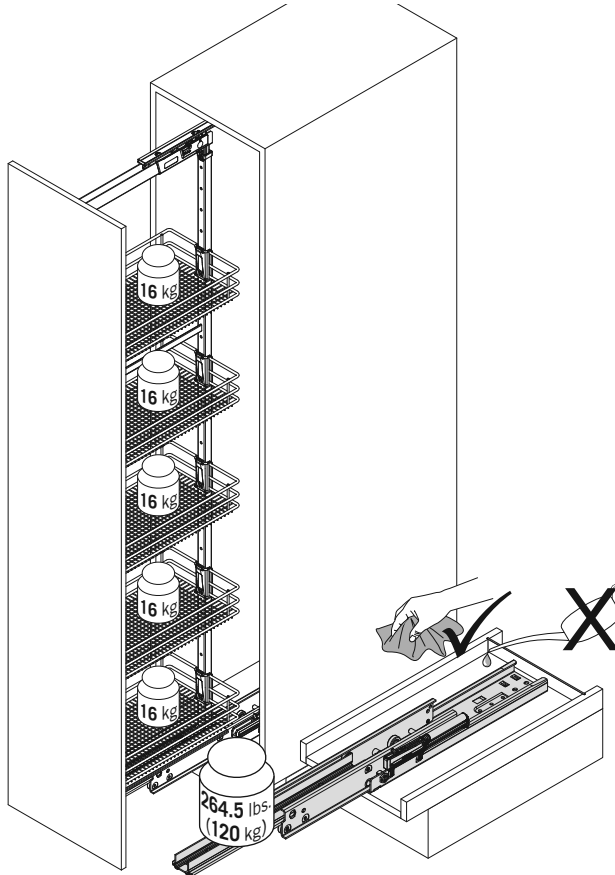
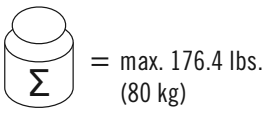
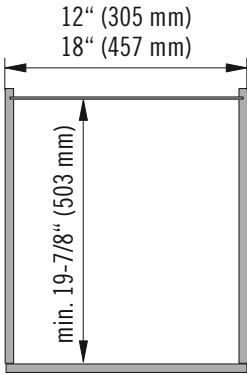
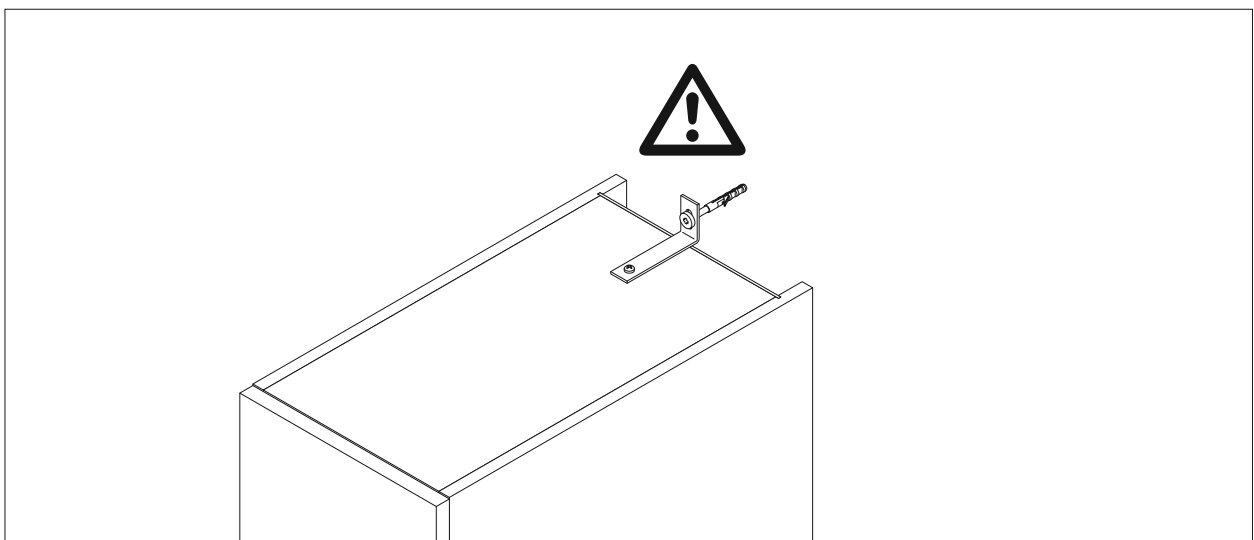
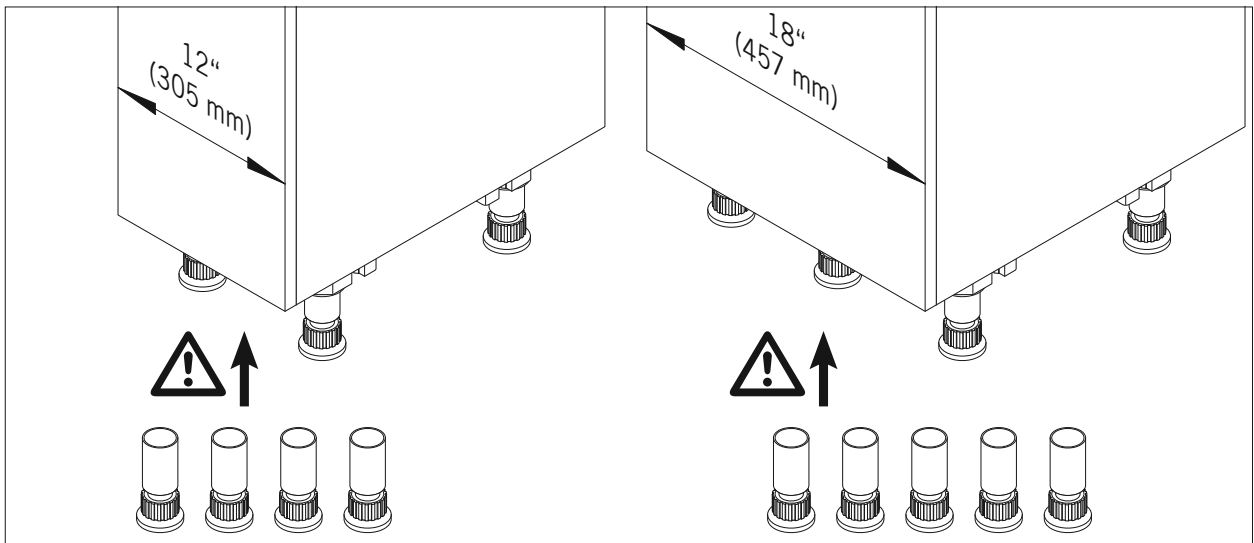
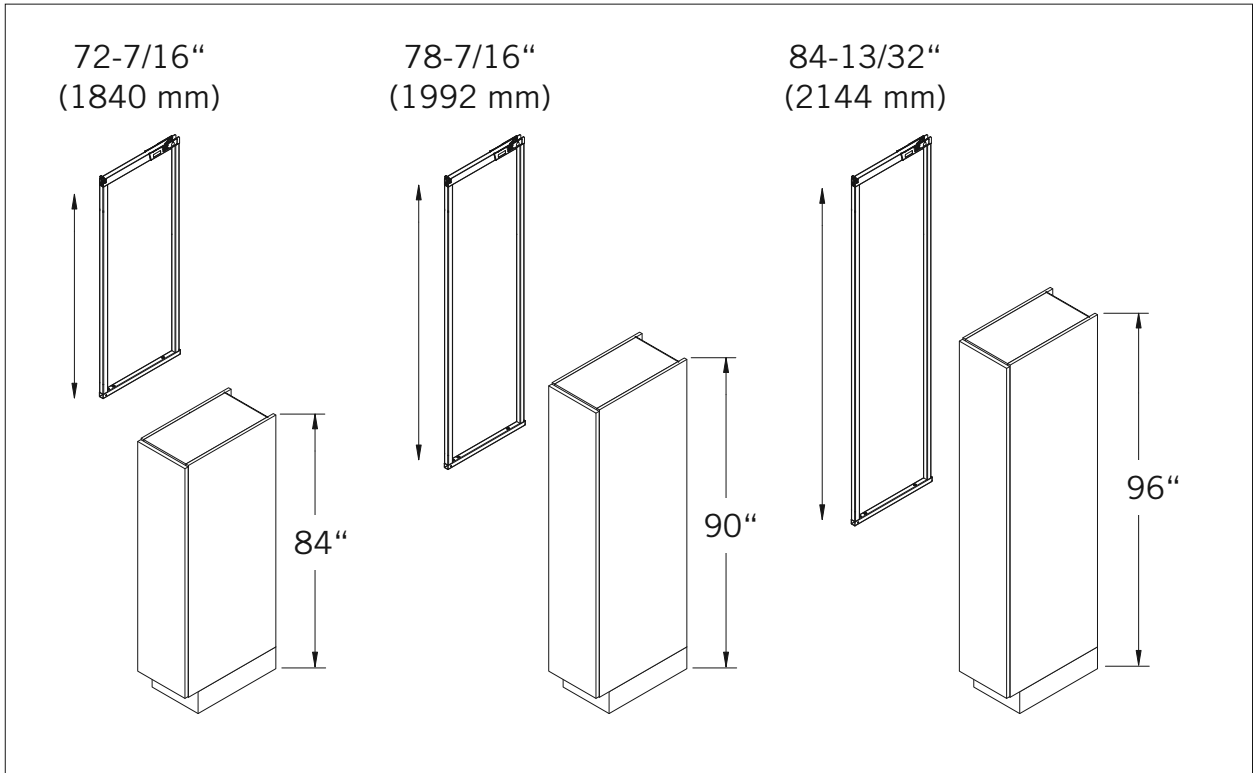


06 / 2020



# WREN VS TAL® Larder

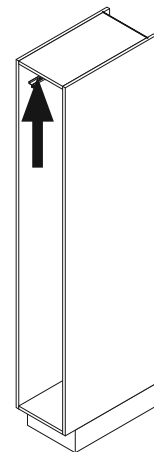
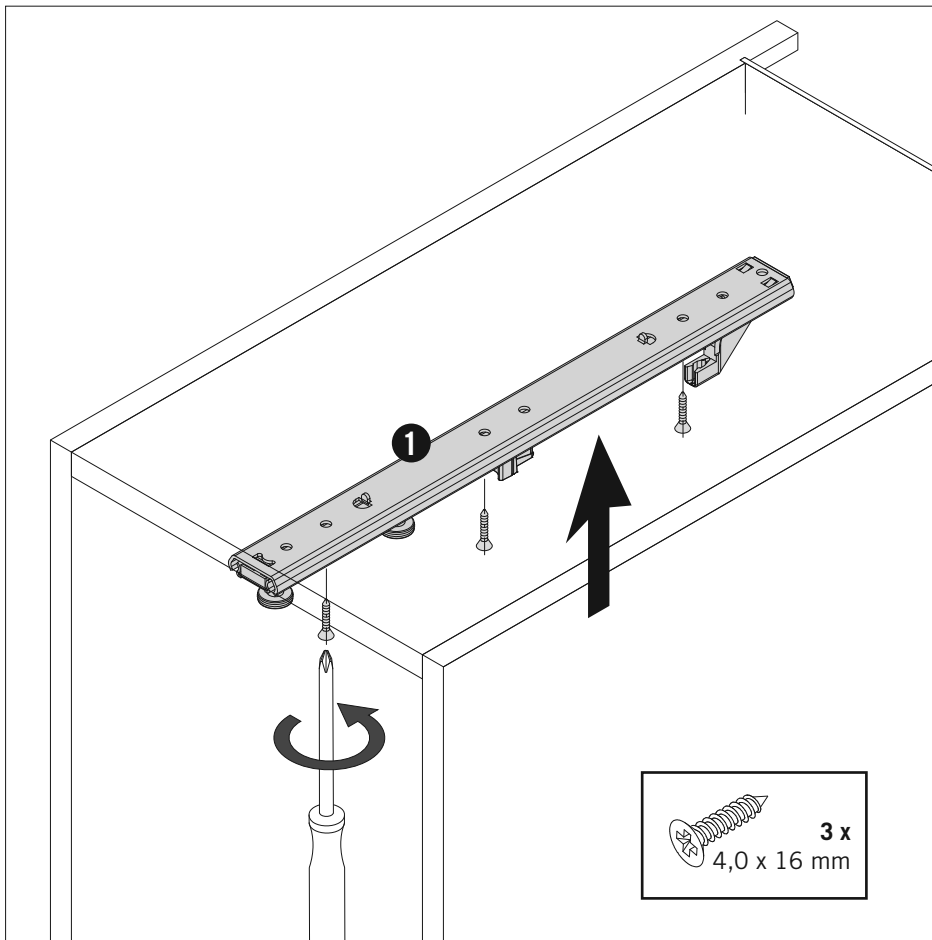




**1**



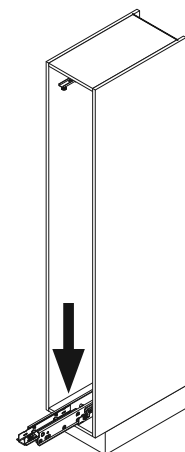
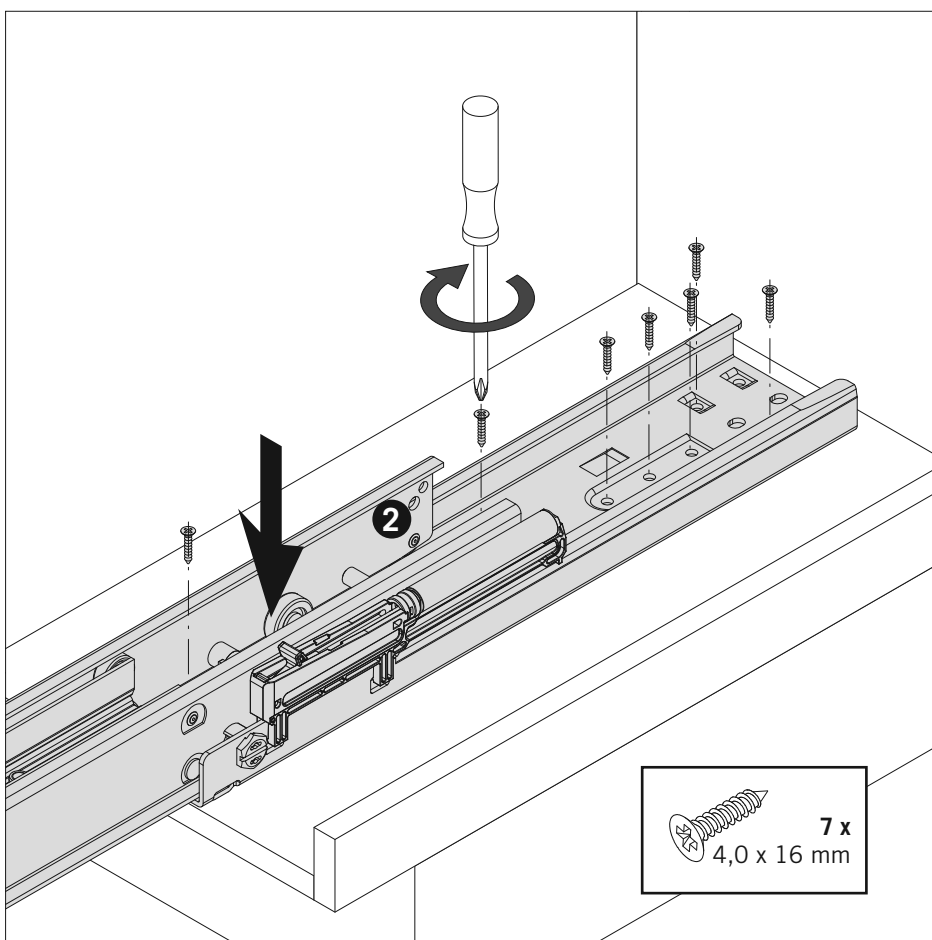
**A**



**2**



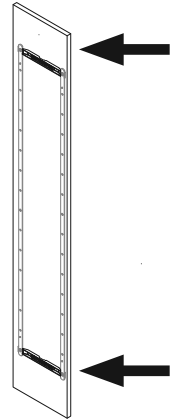
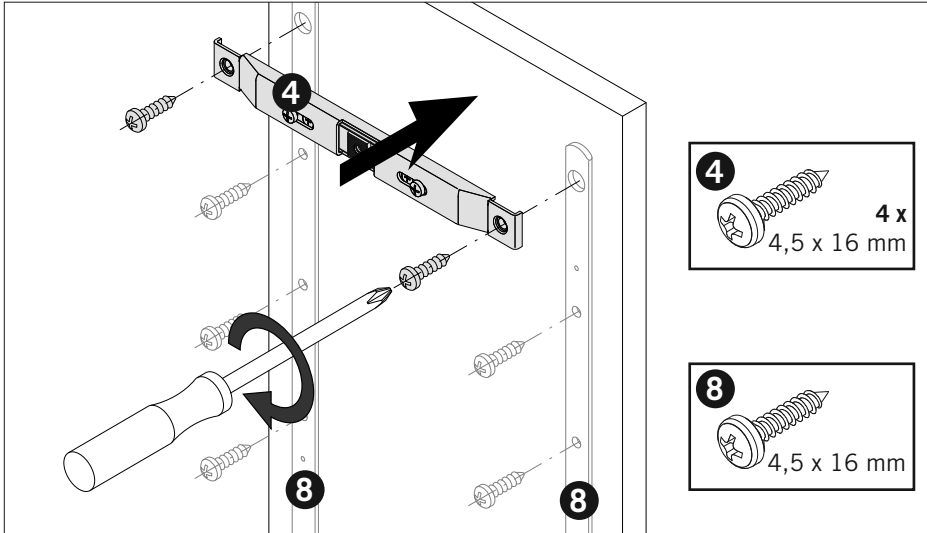
**B**



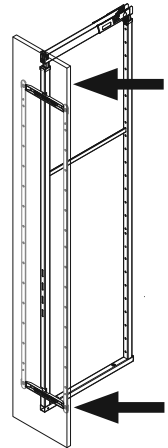
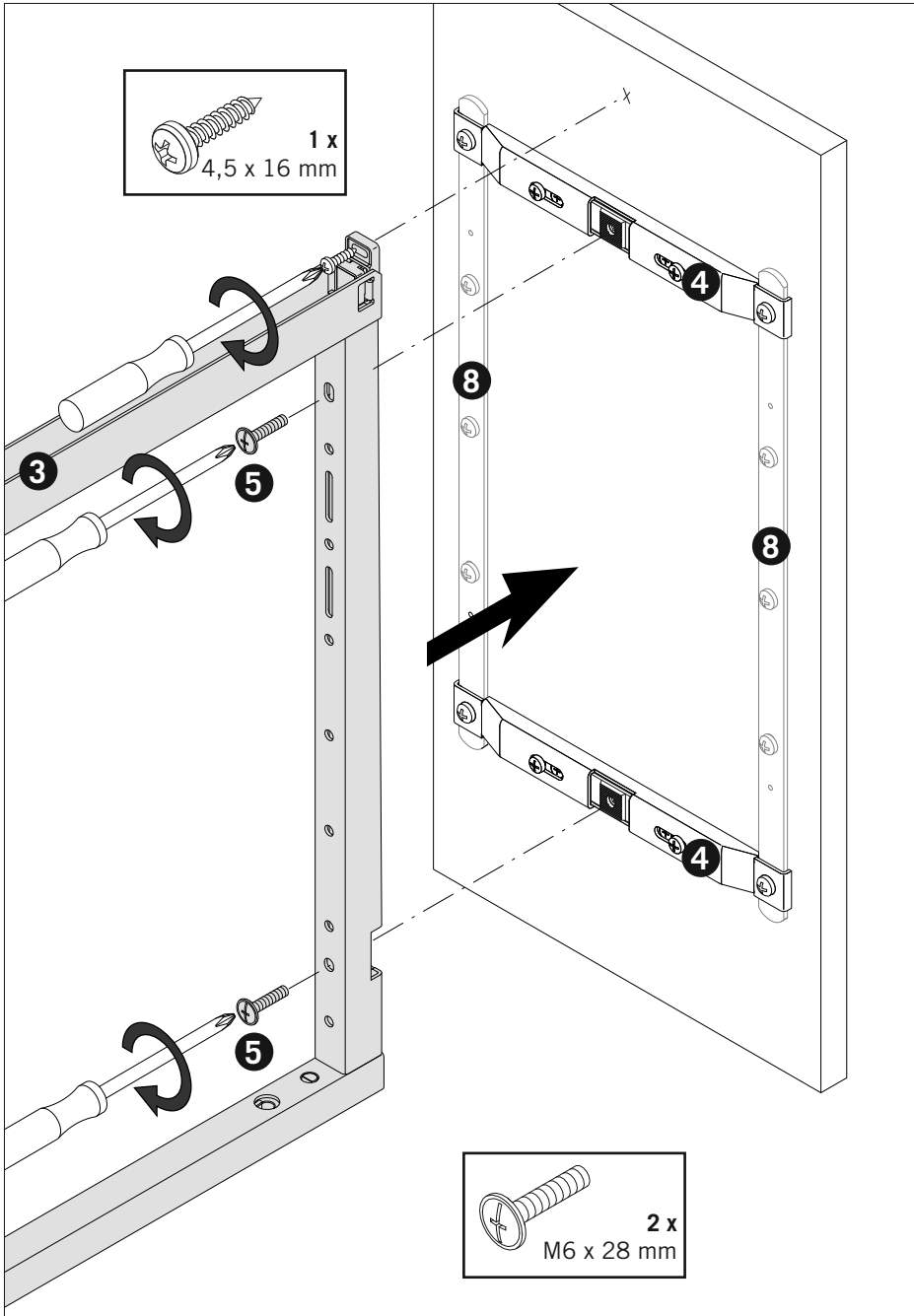
3



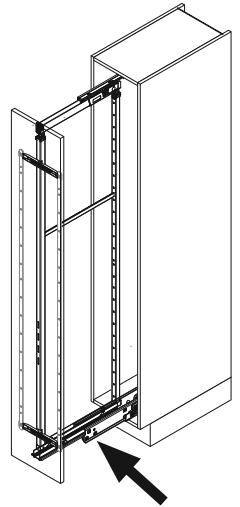
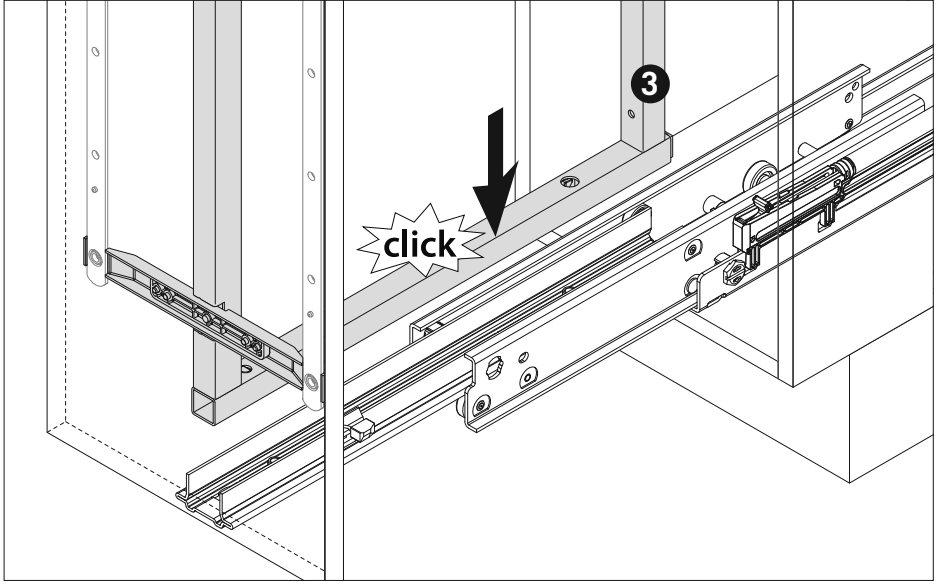
C



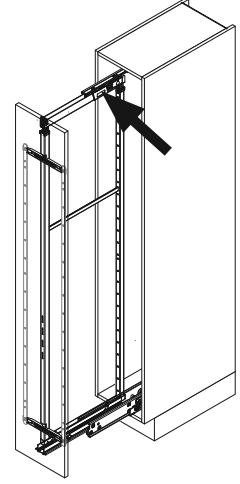
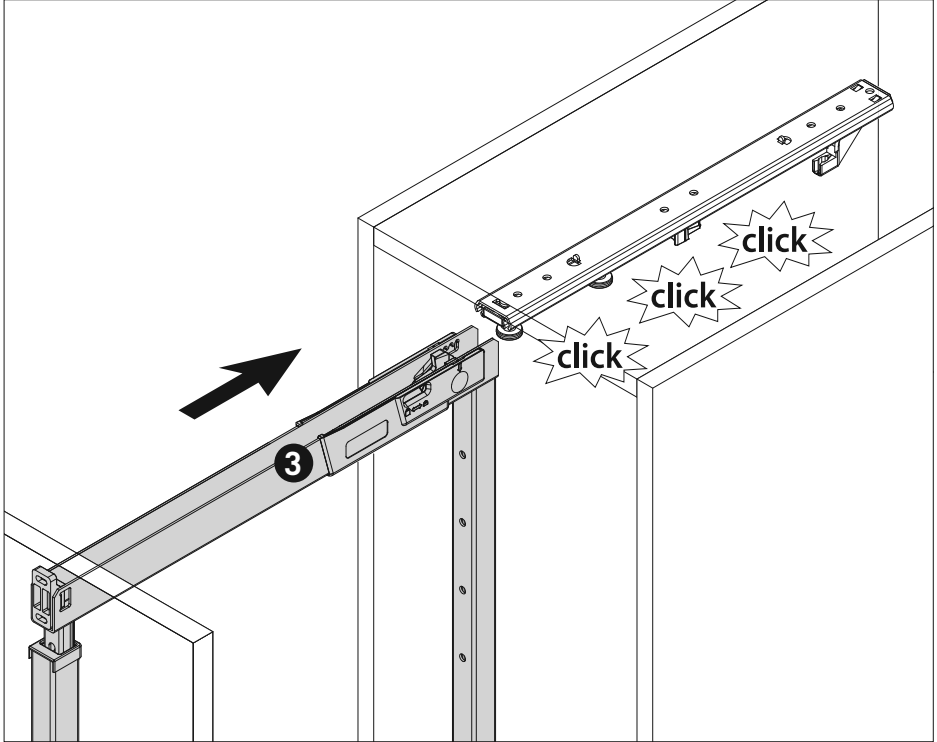
4



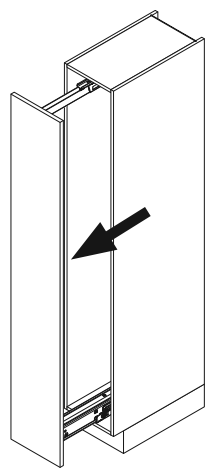
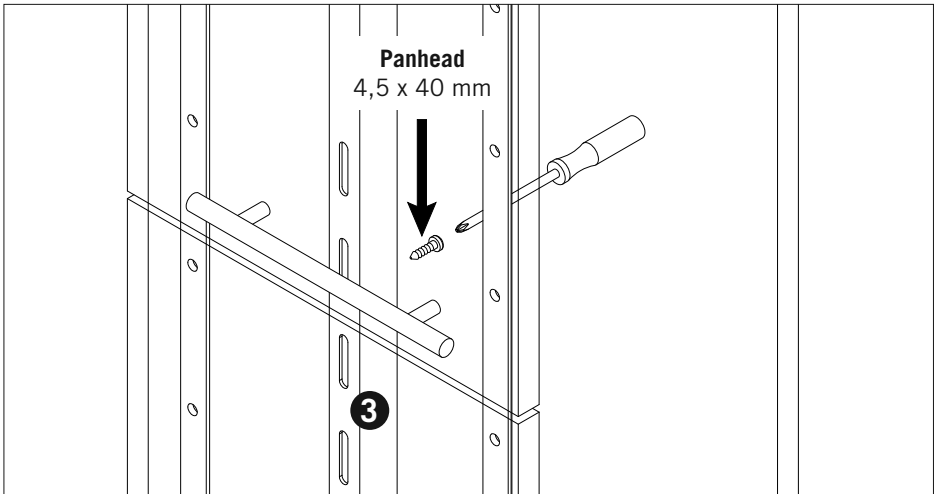
5



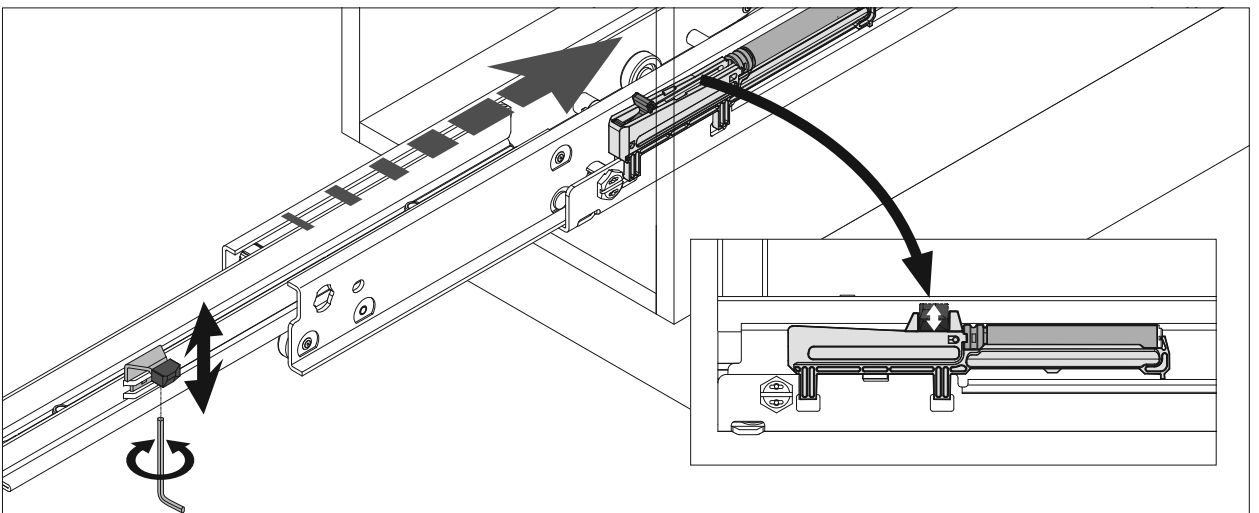
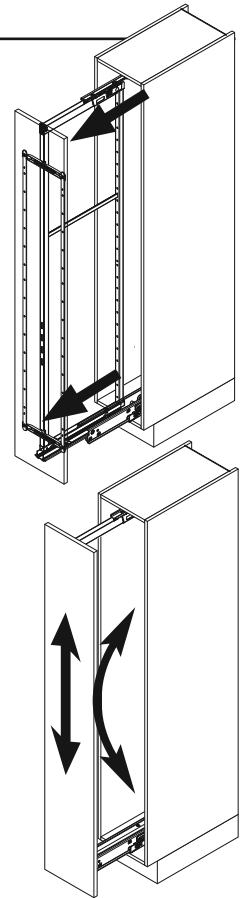
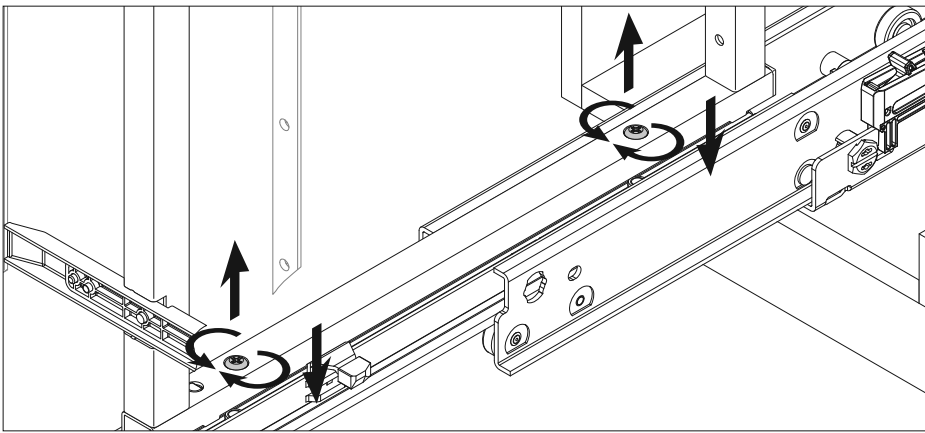
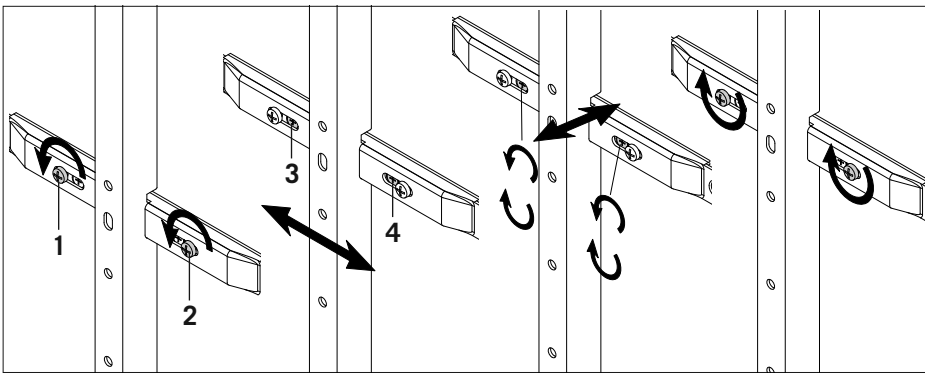
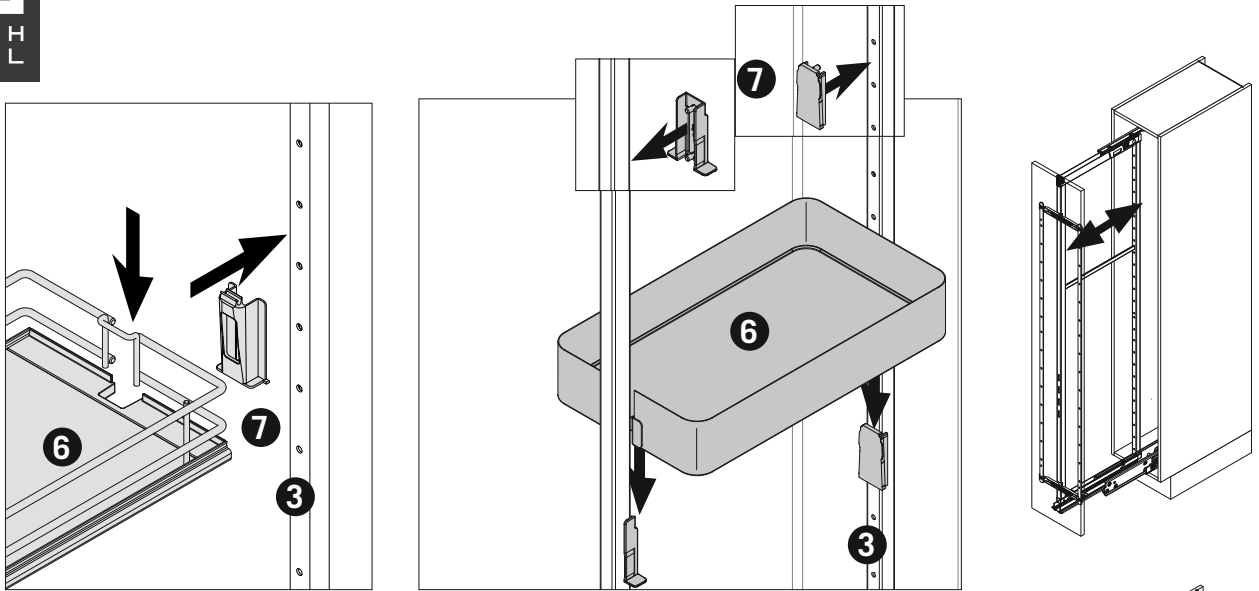
6



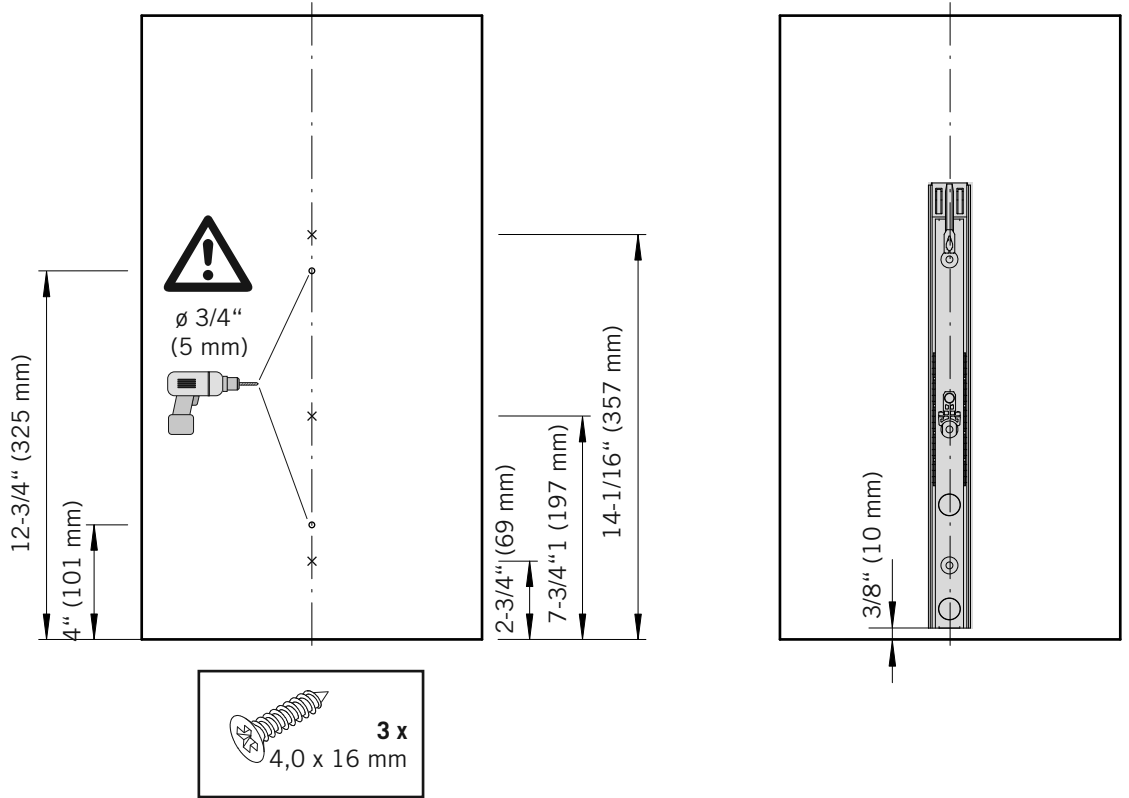
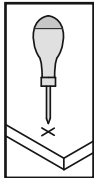
7



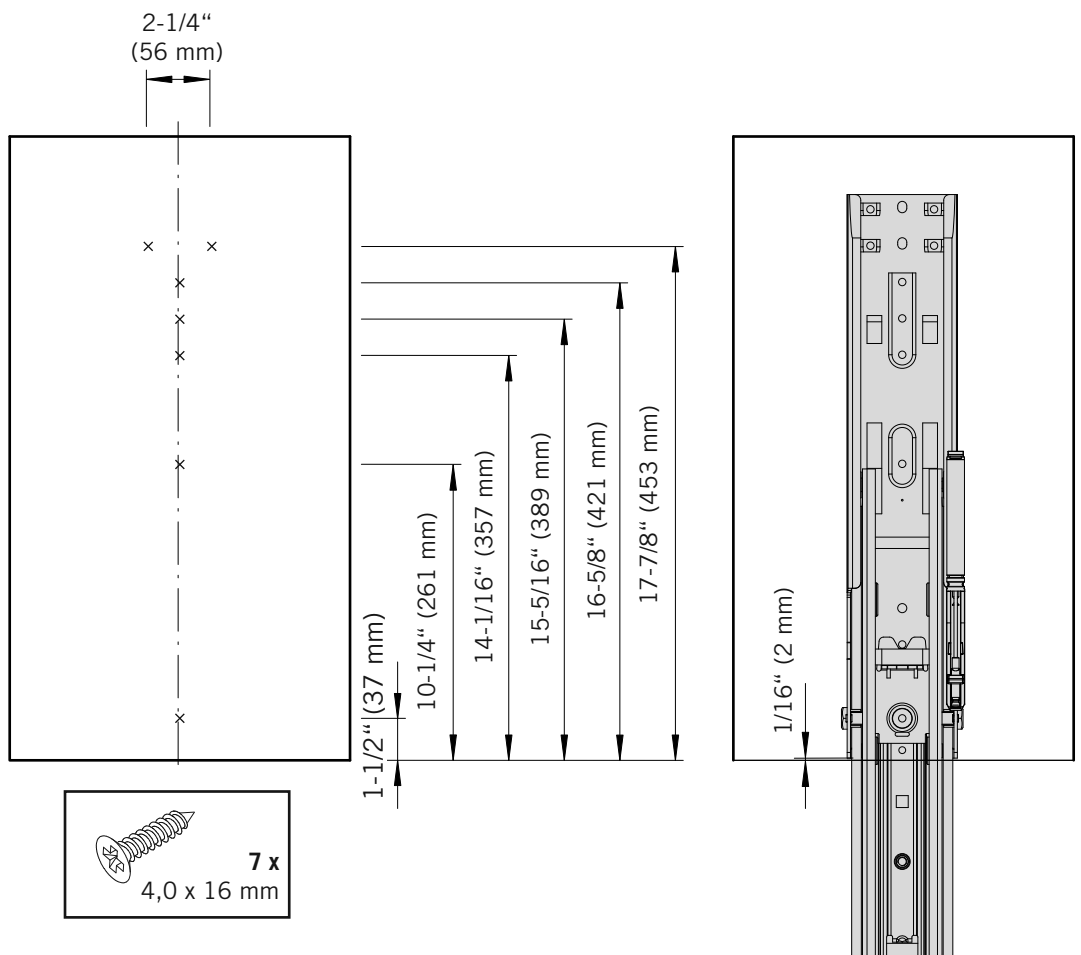
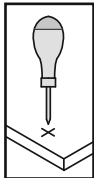
8

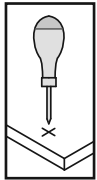


# A



# B





A	X	Z
12" (305 mm)	9-1/8" (232 mm)	10-1/8" (257 mm)
18" (457 mm)	14-3/4" (375 mm)	15-3/4" (400 mm)

Part	8	8	8	8
Ø	3/16"	3/16"	3/16"	3/16"
mm	(5 mm)	(5 mm)	(5 mm)	(5 mm)
Tool	Drill	Screwdriver	Screwdriver	Drill/Screwdriver

Cabinet Height	E	F	G	H	I
84"	64	96	14 x 96	1408	1536
90"/96"	64	96	16 x 96	1600	1728

