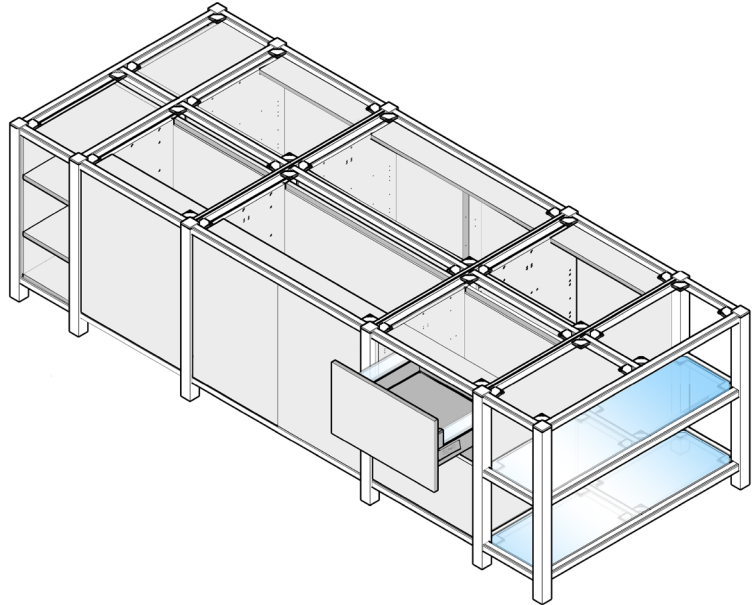
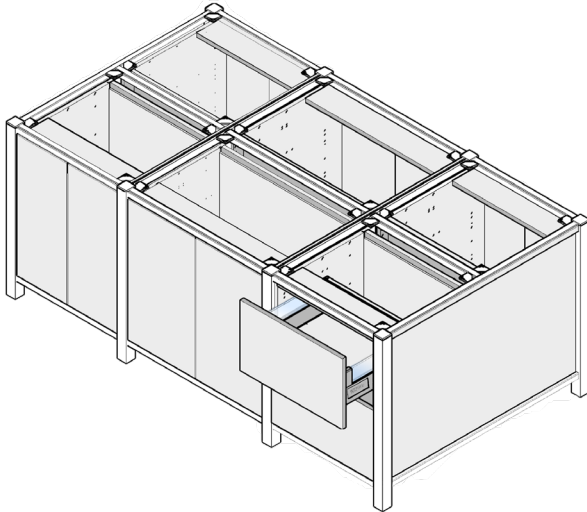
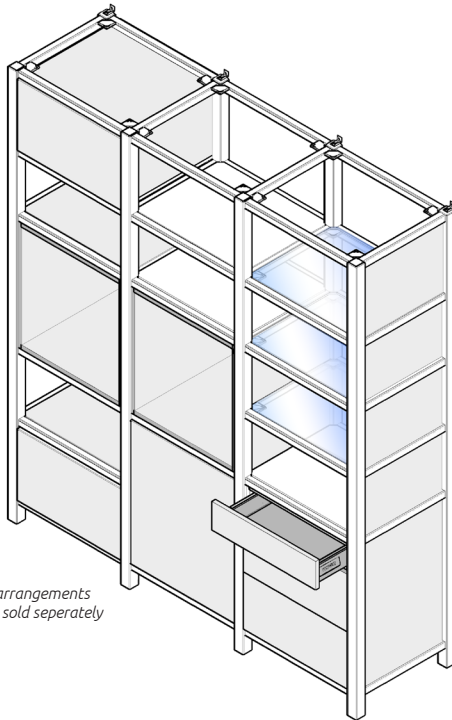


INDUSTRIAL

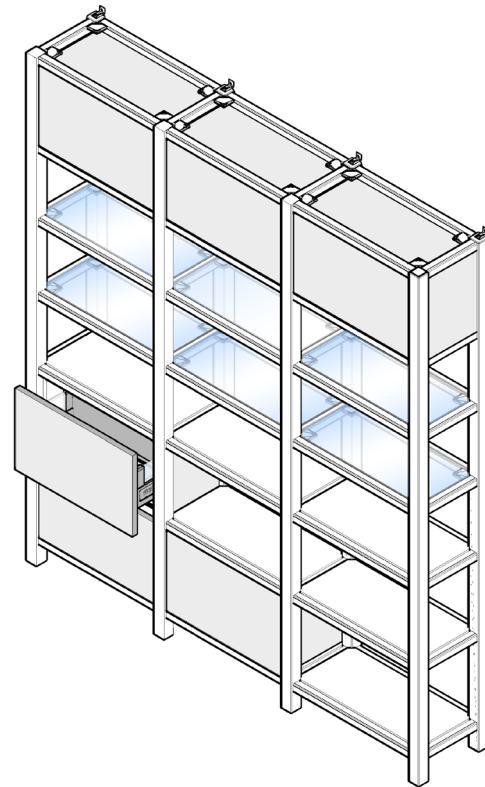
Assembly Guide



Island



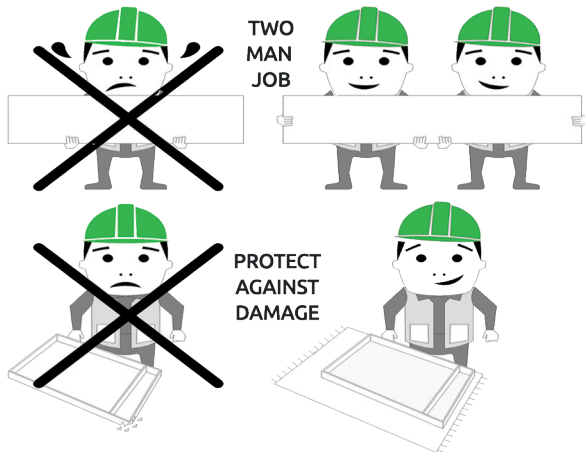
*Sample arrangements
cabinets sold seperately*



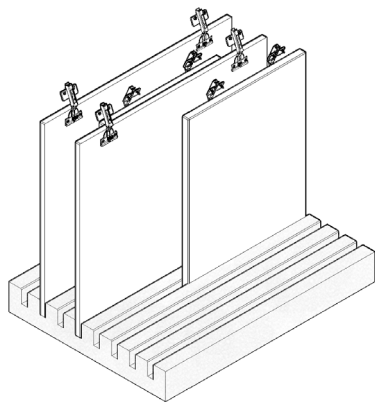
Tower

INDUSTRIAL

Assembly Guide



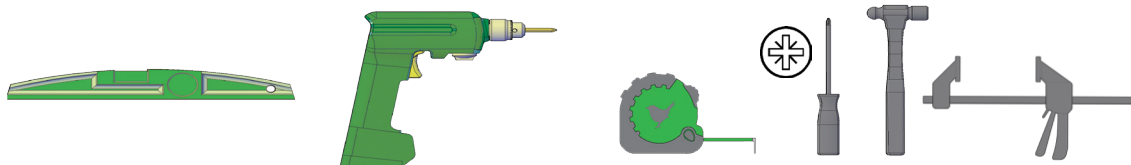
INSTALLATION SHOULD BE PERFORMED BY A COMPETENT PERSON ONLY. THIS PRODUCT COULD BE DANGEROUS IF INCORRECTLY INSTALLED.



DOORSAFE

PRIOR TO INSTALLATION, FIXTURES INCLUDING DOORS, DRAWERS, LOOSE SHELVES & LEGS SHOULD BE REMOVED TO ENSURE A SAFE INSTALLATION. WREN RECOMMENDS USING DOORSAFE FOR TEMPORARY STORAGE.

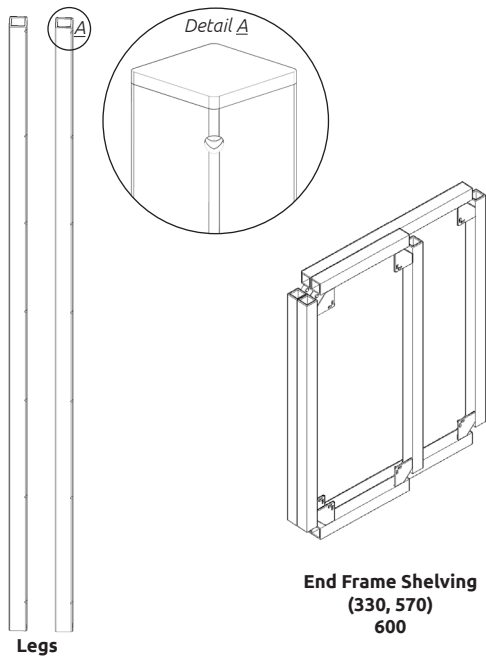
REQUIRED TOOLS



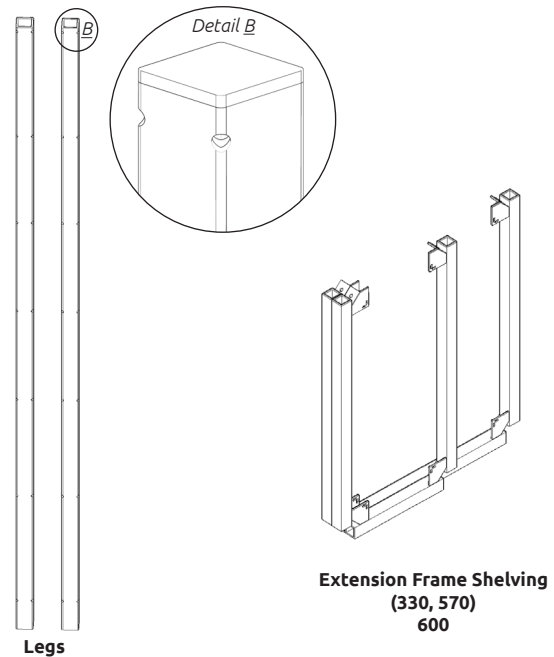
INDUSTRIAL TOWER

Assembly Guide

End Components



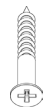
Extension Components



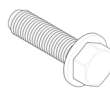
*Configuration may vary in accordance to specific customer kitchen plan
cabinets Included seperately*



(L)
16mm
Screw



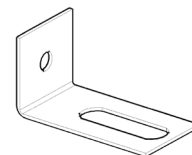
(K)
30mm
Screw



35mm Bolt
& Washer



16mm Bolt
& Washer



Wall Securing
Bracket

INDUSTRIAL TOWER

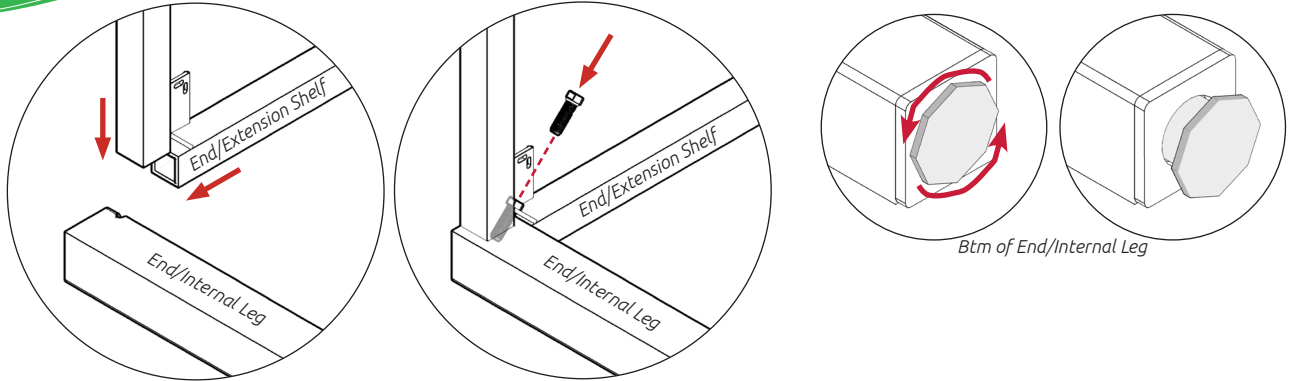
Assembly Guide

Tower Frame Assembly

Step 1.

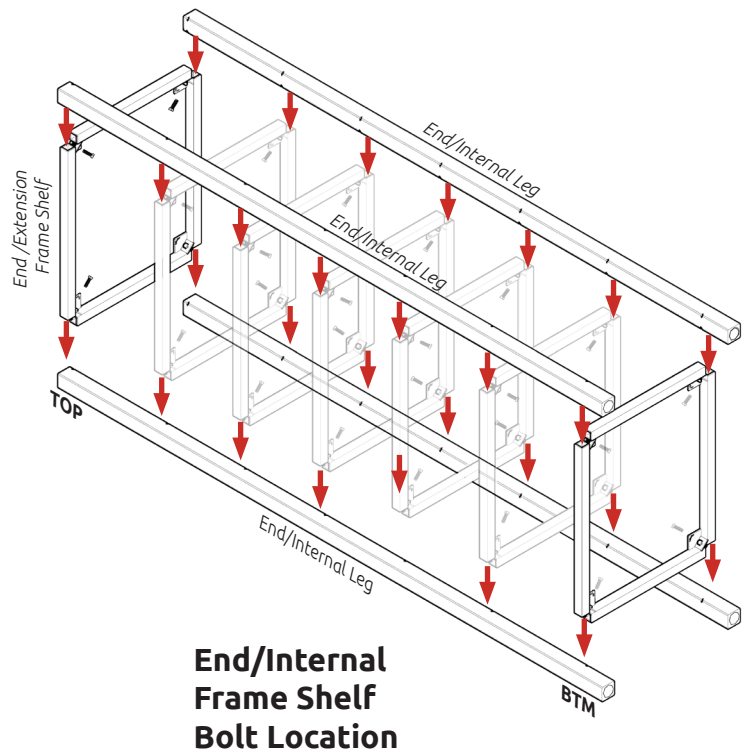
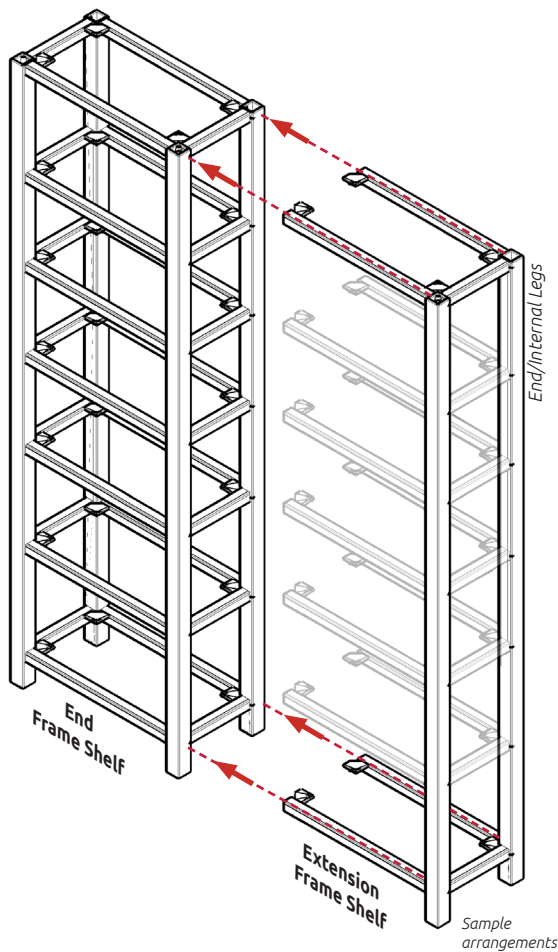
Using 4 x 35mm Bolt & Washer attach End Frame Shelf as shown, to secure to End or Internal Legs, where applicable. Adjust leg height per frame by twisting to suit.

For Shelf Positions see Specific Customer Kitchen Plan.



Step 2.

Repeat shelf assembly as appropriate to customer, to form End/Extension Tower Frame, as shown.



Step 3.

Attach assembled Tower Frames where appropriate to customer as shown.

Tower Assembly

See Customer Specific Order for requirements.



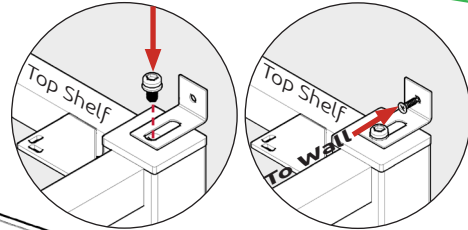
Please ensure steps are followed for a safe installation.

Step 4. Securing Metal Frame to Wall

To secure tower frames, use the provided brackets to secure to wall. Secure bracket to top frame shelf at both sides using 16mm Bolt & Washer. Then screw through into wall as shown.

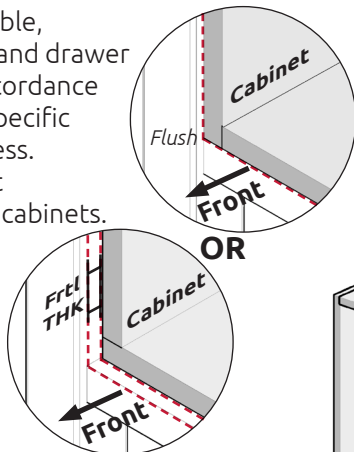
Screws for fixing to walls are not provided as these vary depending on your wall material and construction.

Ensure appropriate fixings for wall constructions are used.



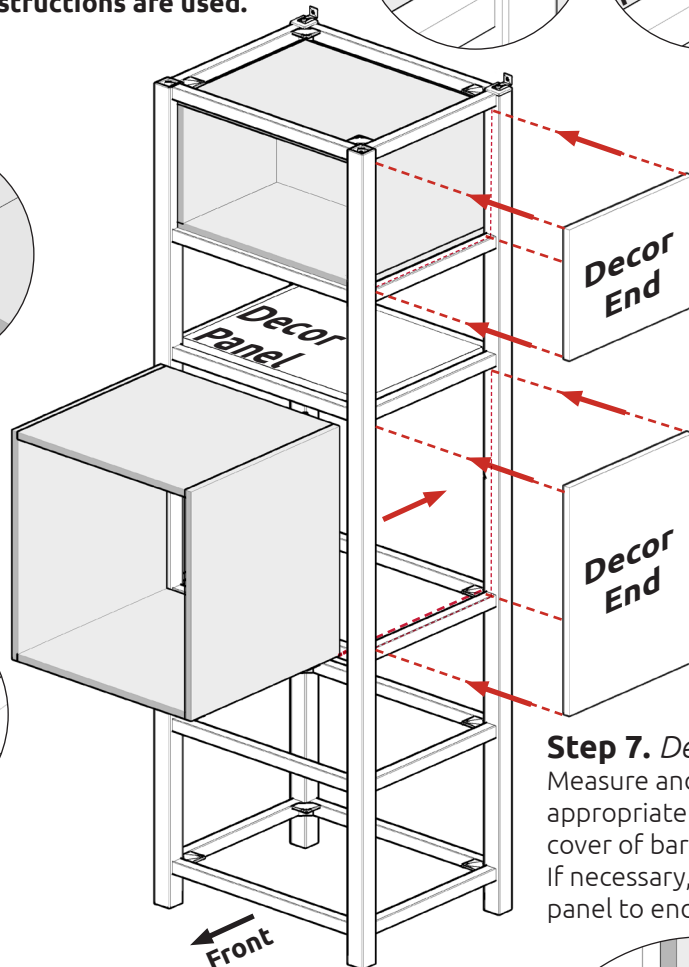
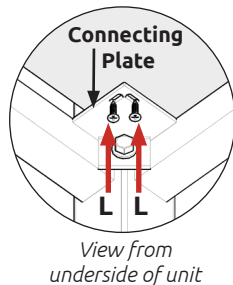
Step 5. Cabinet Installation

Where applicable, position door and drawer cabinets in accordance to customer specific frontal thickness. Ensure correct positioning of cabinets.



Step 6.

Using 2 x 16mm Screws (L) per connecting plate, screw up through fixing plate into the base panel of each unit as shown.

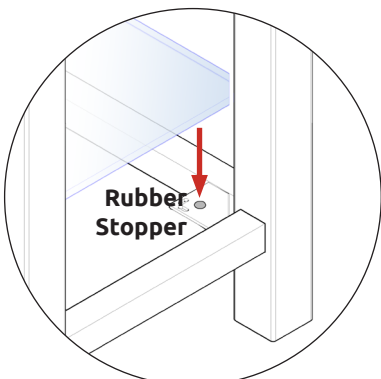
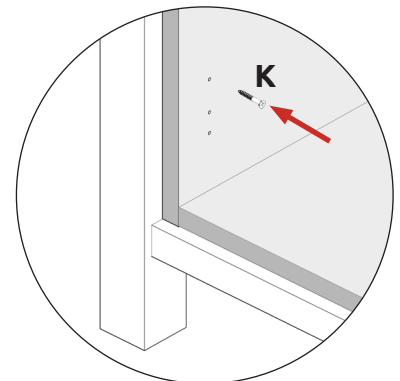


Step 7. Decor Panels

Measure and cut appropriately to ensure full cover of bare carcass. If necessary, scribe decor end panel to end of unit.

Step 8. Decor Panel Installation

Ensure cabinets are located accordingly. Clamp décor end panels adjacent to the unit inside of the frame and screw through the unit into the décor panel using 30mm screws (K). Screw at the top and bottom of unit away from fixings such as drawers and hinges. For upper décor panels screw through the top of the unit at the Front/Back. Place cover caps on the heads of screws to conceal.



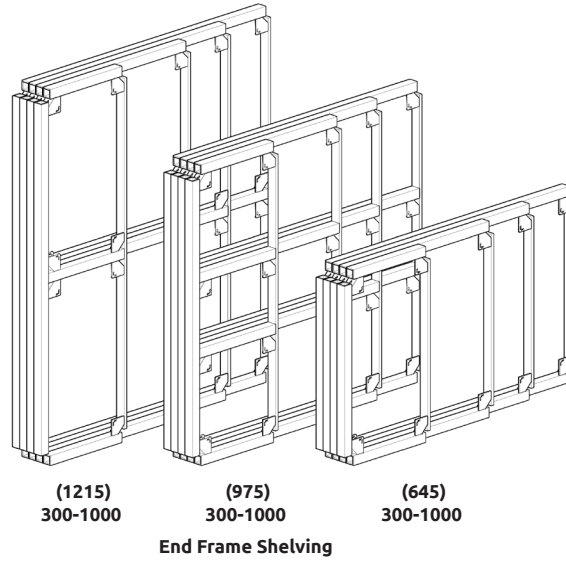
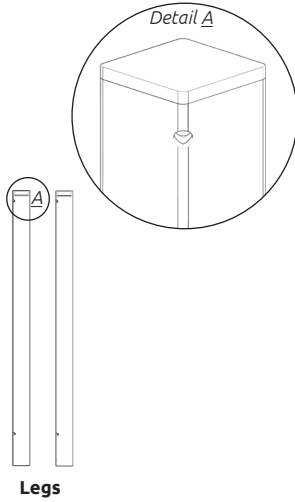
Step 9. Glass Shelf Installation

For glass shelf installation only, install 1x rubber stopper provided with glass shelf on each connecting plate as shown. Position glass shelf with care.

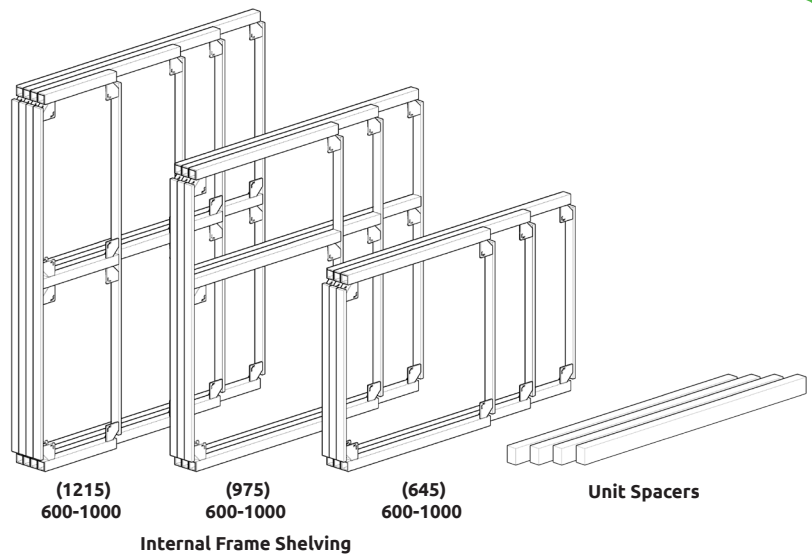
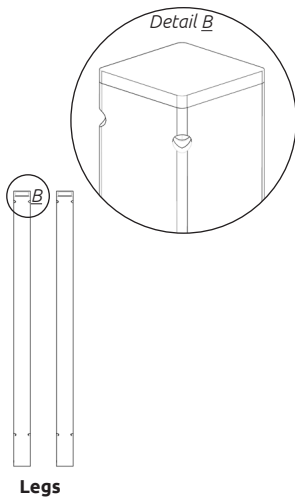
INDUSTRIAL ISLAND

Assembly Guide

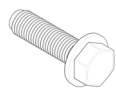
End Components:



Internal Components:



Configuration may vary in accordance to specific customer kitchen plan cabinets sold separately



35mm Bolt & Washer



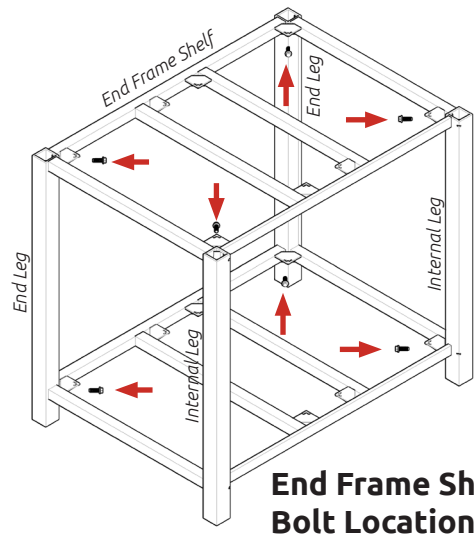
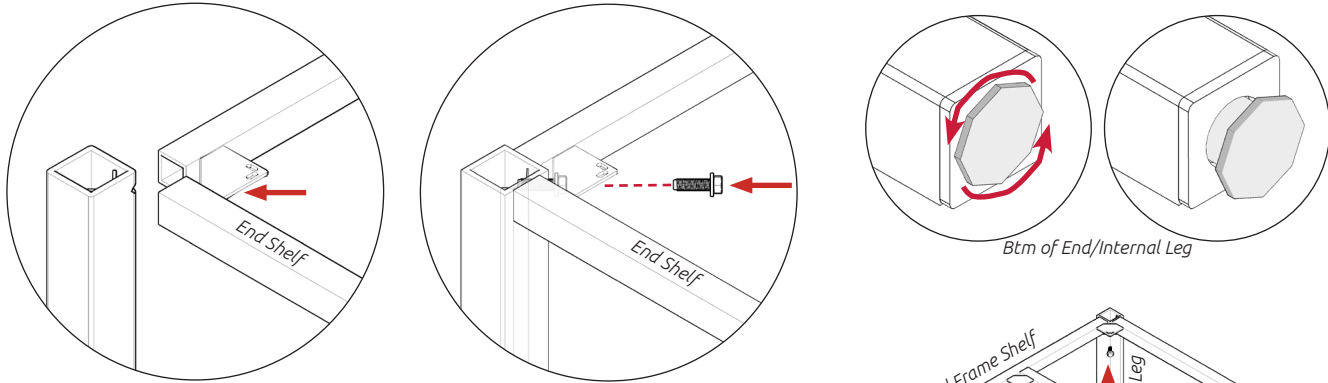
16mm Bolt & Washer

Island Frame Assembly

Step 1.

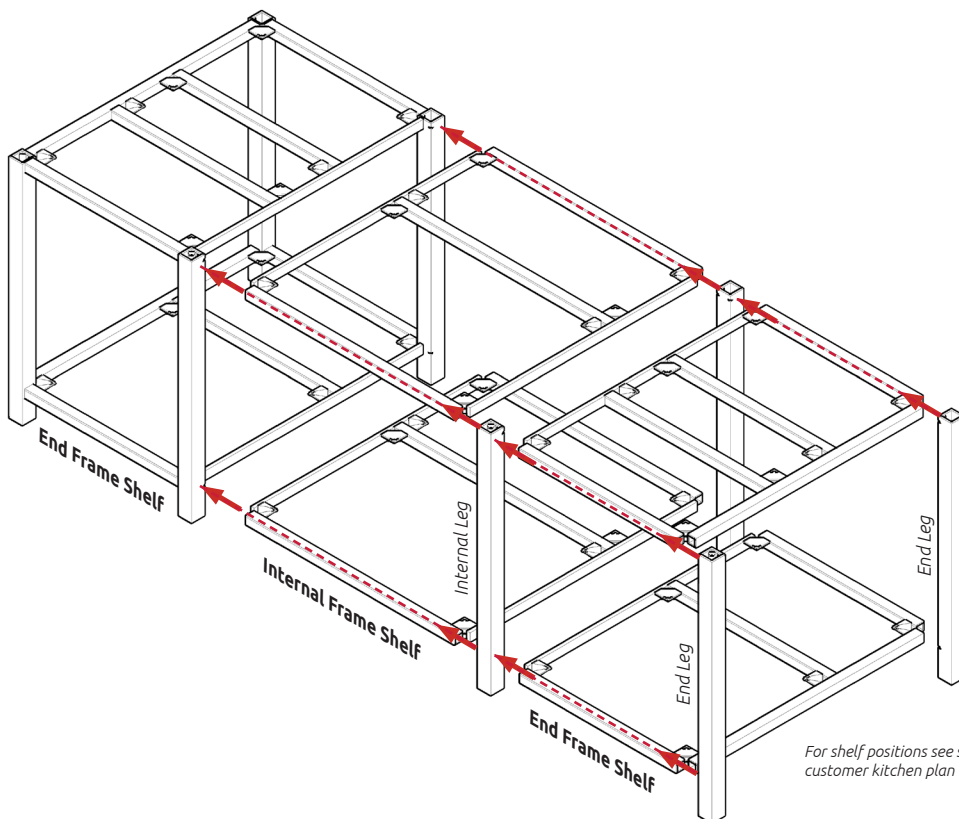
Using 4 x 35mm Bolt & Washer attach End Frame Shelf as shown, to secure to End or Internal Legs, where applicable. Adjust leg height per frame by twisting to suit.

For Shelf Positions see Specific Customer Kitchen Plan.



Step 2.

Using 4 x 35mm Bolt & Washer secure Internal Frame Shelf to Internal Legs where applicable as shown.



For shelf positions see specific customer kitchen plan

Island Assembly

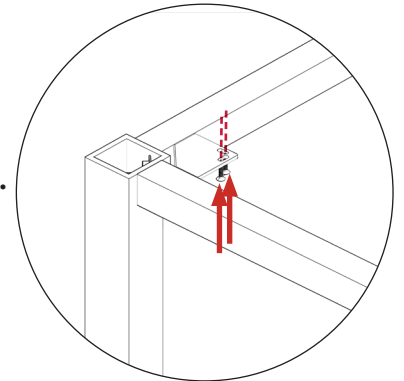
See customer specific order for requirements.



Please ensure steps are followed for a safe installation.

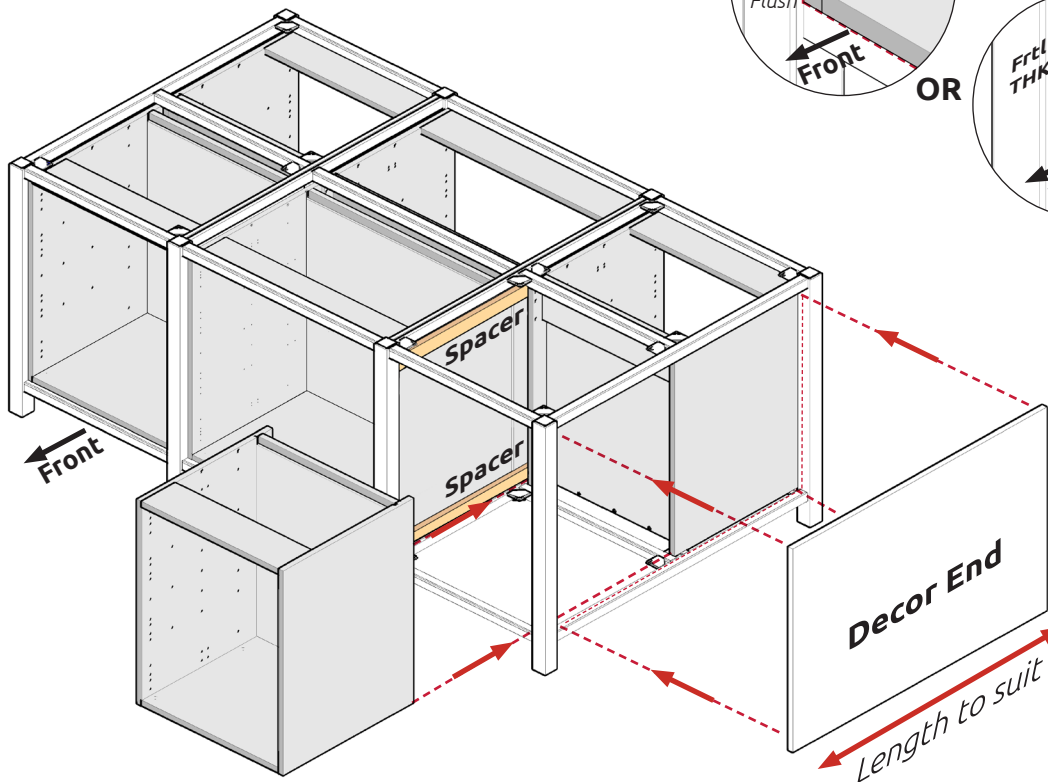
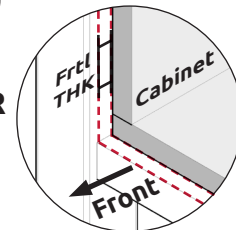
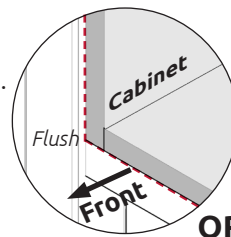
Step 3. Worktop Installation

To secure worktop, screw up through connecting plates into your worktop to secure it in place. **Screws for attaching to worktop are not provided as these vary depending on materials, thickness and construction. Ensure appropriate fixings for worktop construction are used. Please refer to the specialist worktop supplier if these are required for solid surface worktops.**



Step 4. Cabinet Installation

Where applicable, position door and drawer cabinets in accordance to customer specific frontal thickness. Measure and cut provided spacer panel appropriately. Position flush against internal units at both sides, as shown. Ensure correct positioning of cabinets.



Step 5.

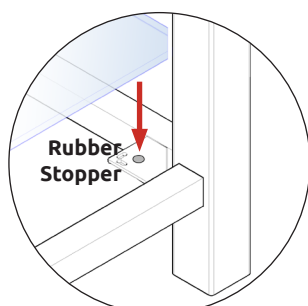
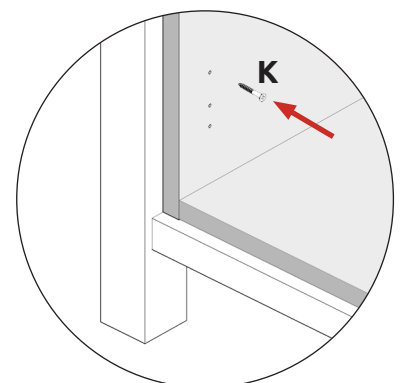
Decor Panel Installation

Measure and cut appropriately to ensure full cover of bare carcass. Where applicable, scribe Decor End panel to the end of unit. Clamp Decor End panel adjacent to the unit within the frame.

Step 6.

Cabinet Securing using Spacer/Decor Panel

Ensure cabinets are located accordingly. Screw through unit into Spacer/Decor End Panel using 30mm screws (K) provided. Screw as shown at top and bottom of unit, away from fittings. Place a cover cap on head of screw to conceal.



Step 7. Glass Shelf Installation

For glass shelf installation only, install 1x rubber stopper provided with glass shelf, on each connecting plate as shown. Position glass shelf with care.

