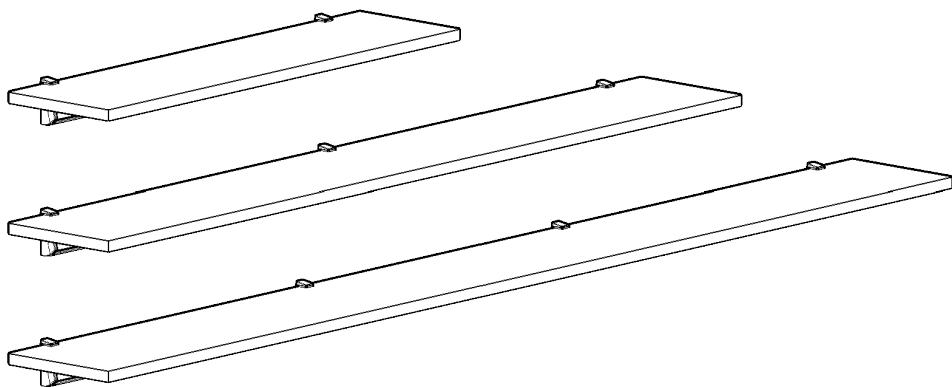
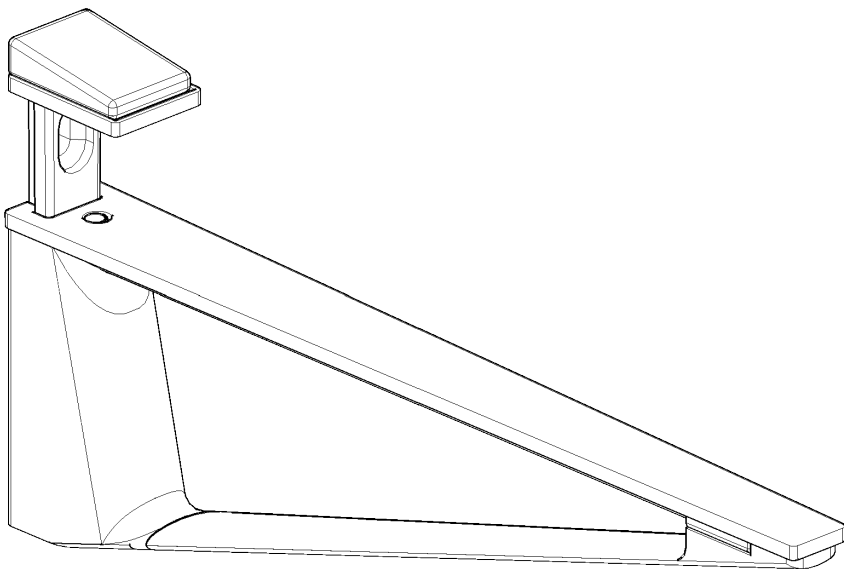


# SHELVES

## Shelf Bracket Fitting Guide



600mm - 1000mm Shelves	2 Brackets
1200mm - 1800mm Shelves	3 Brackets
2000mm - 2400mm Shelves	4 Brackets

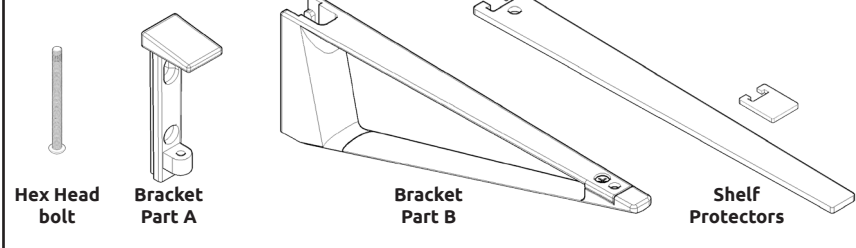
For Internal Use: WKIN00225\_Shelf\_BRACKET\_Rev1

**wren**  
KITCHENS

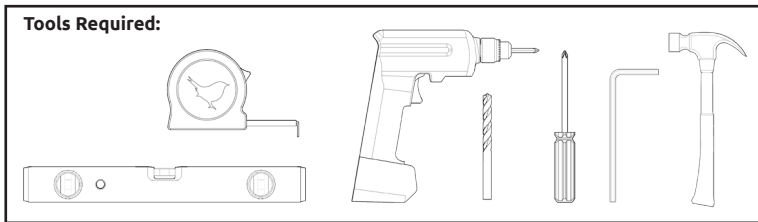
# SHELVES

## Shelf Bracket Fitting Guide

### Components:



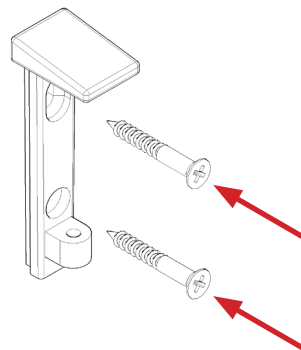
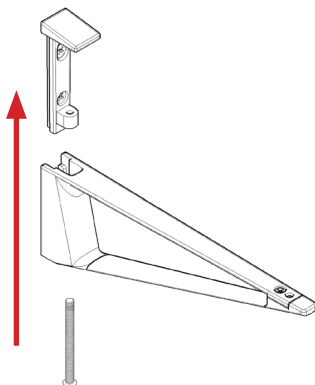
### Tools Required:



Screws for attaching to walls are not provided as these vary depending on materials, thickness and construction. Ensure appropriate fixings for wall construction are used.

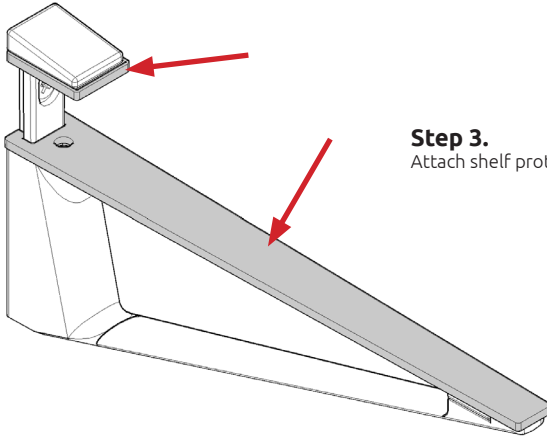
### Step 1.

Appropriately measure and attach brackets **part A** to the wall.  
**60mm to 100mm overhang is recommended on the end brackets.**

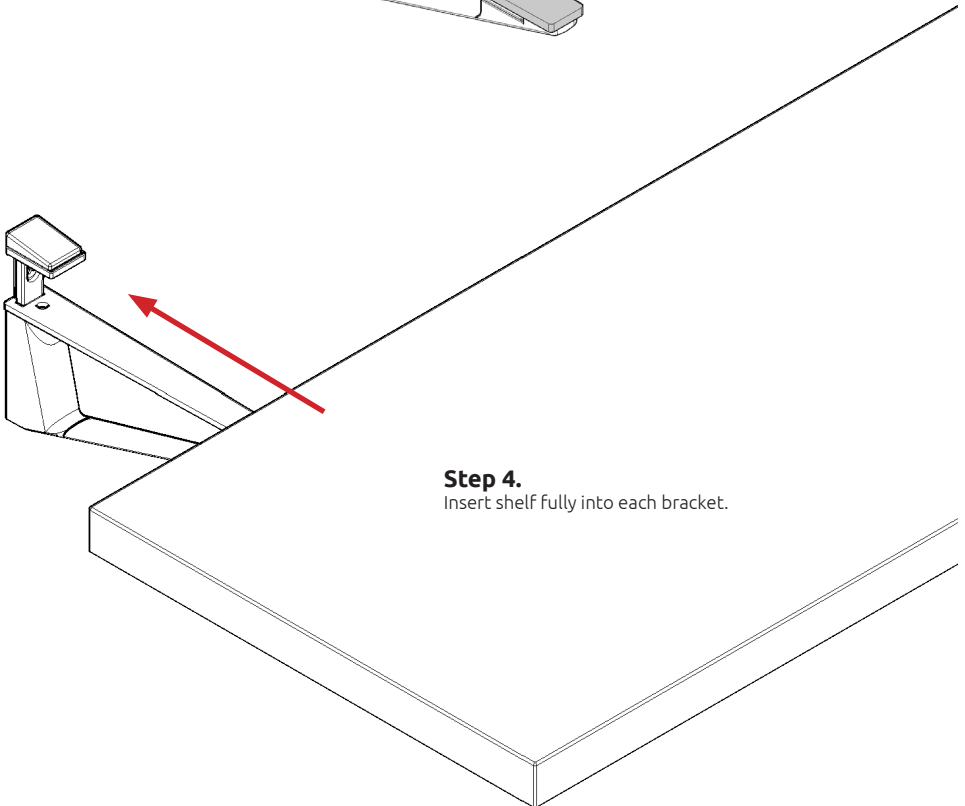


### Step 2.

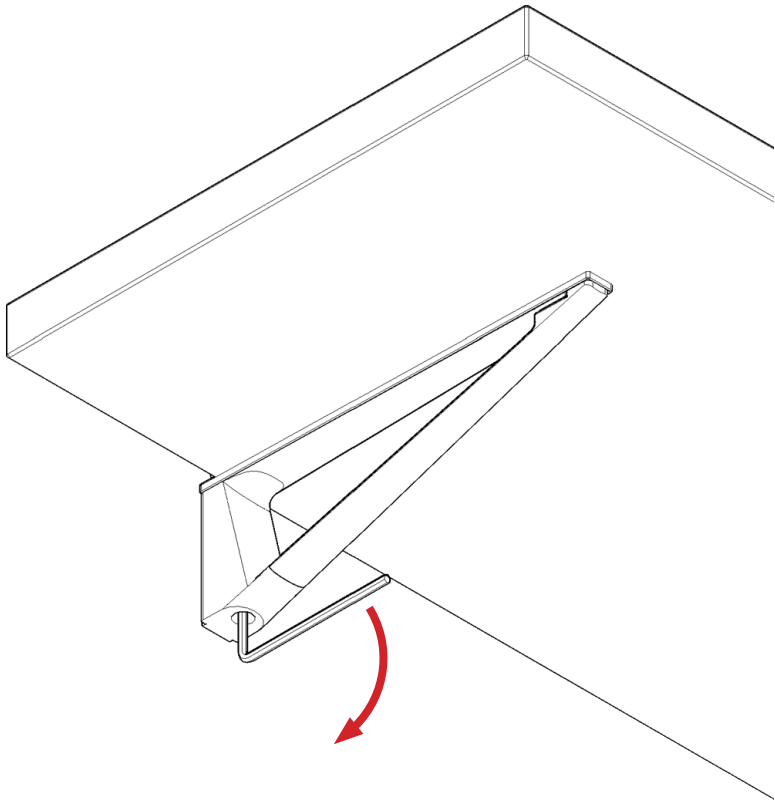
Attach brackets **part B** to brackets **part A** using the hex head bolts provided.  
**Do not fully tighten bolt, leave a gap slightly bigger than the thickness of your shelf material.**



**Step 3.**  
Attach shelf protectors to brackets **part A & B**



**Step 4.**  
Insert shelf fully into each bracket.



**Step 5.**

Position shelf and evenly space overhang on the end 2 brackets.

Hand tighten the bolt to lock the shelf into position. Repeat on all brackets.