

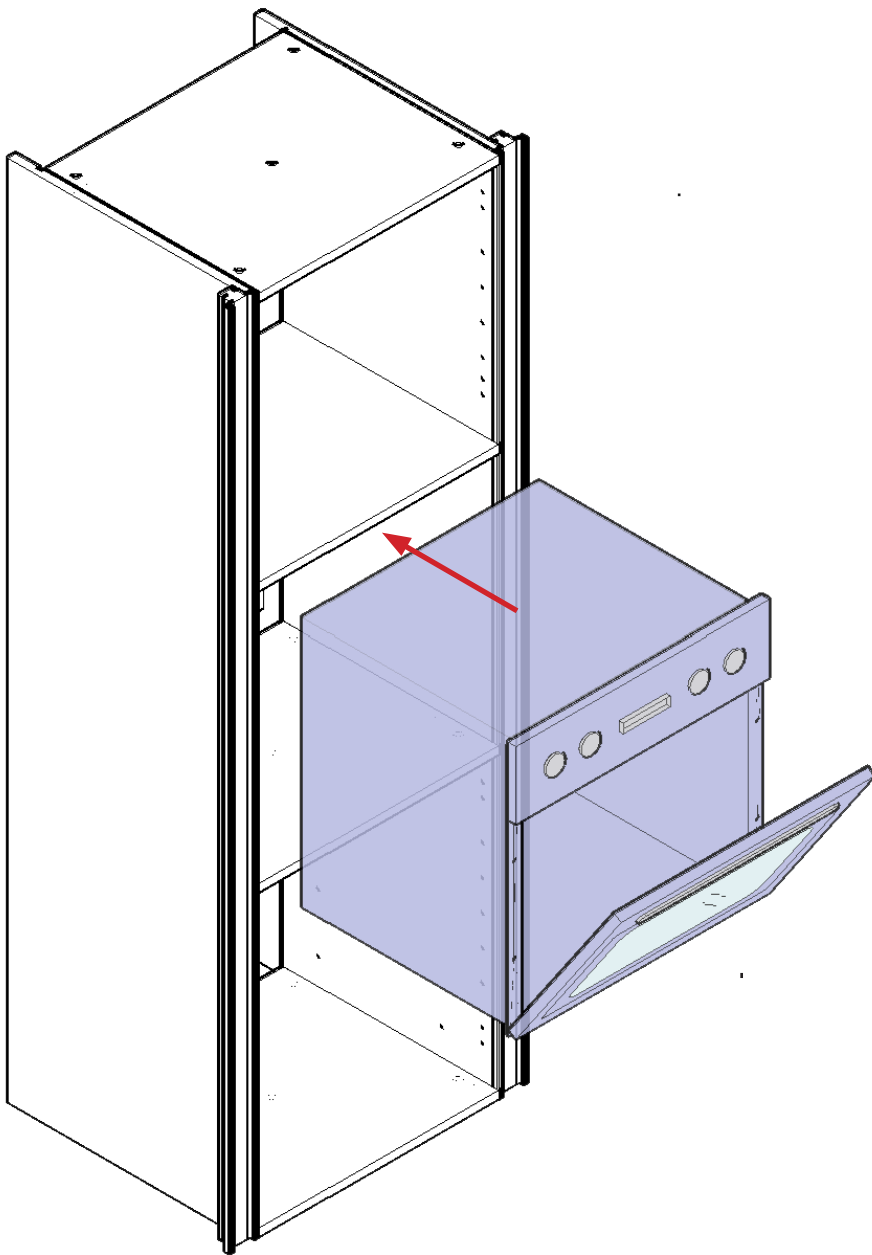
# TOWER UNIT

## Milano Appliance Fitting Guide

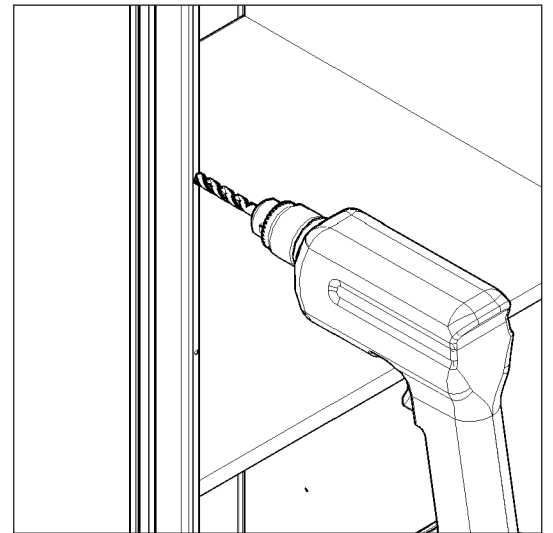
### Step1.

Insert the appliance into the unit. Open the appliance and mark the location of the screw holes on to the profile.

Remove the appliance from the tower before drilling into profile.

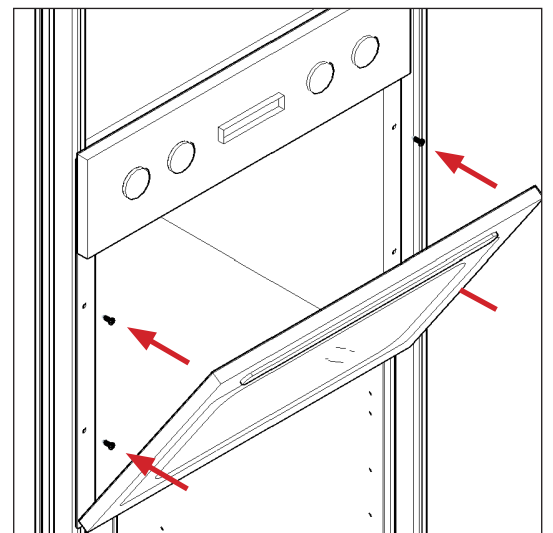


*Example tower unit used  
for reference only.*



### Step2.

Using the marked locations, drill pilot holes through the profile into the end panels.



### Step3.

Re-insert the appliance and secure to the unit with screws.