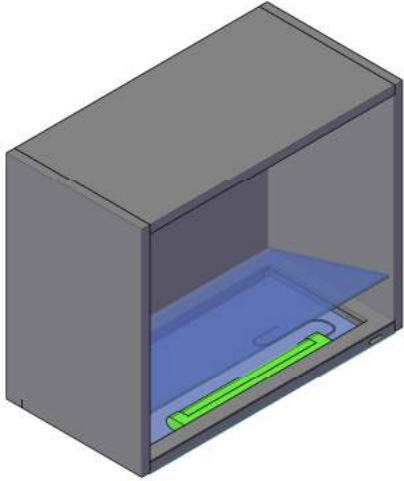


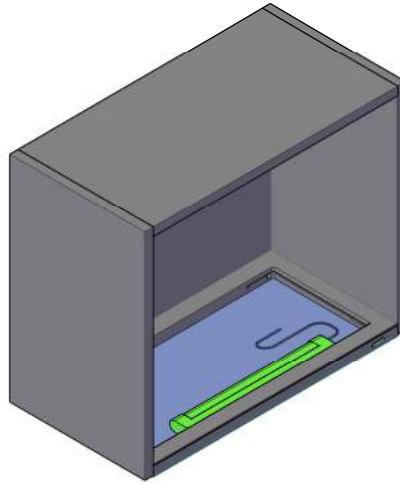


1.



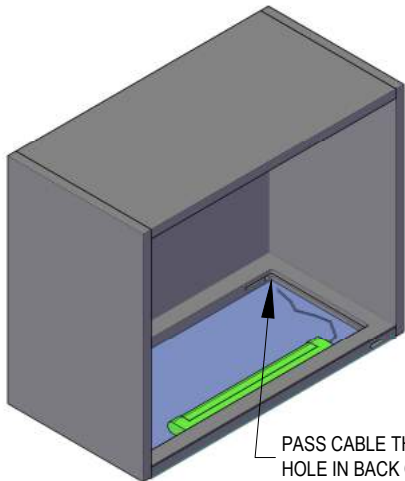
LIFT GLASS FROM FRONT EDGE.

2.



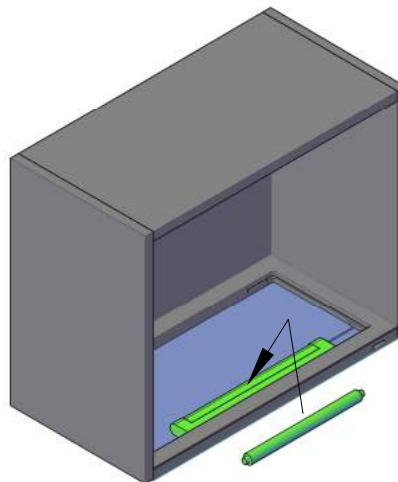
SLIDE OUT GLASS AS SHOWN.

3.

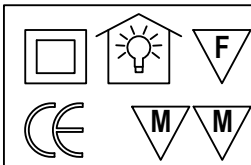
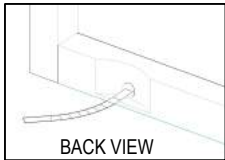


PASS CABLE THROUGH Ø10 HOLE IN BACK OF PANEL, TUCK CABLE NEATLY INTO GROOVE

4.



SPECIAL NOTE:-
THE NEON LIGHTS CONTAIN A FUSE WHICH WILL DISCONNECT THE ELECTICITY SUPPLY AT THE ENDS OF THE TUBE LIGHT WHEN TAKEN OUT OF THE LAMP SUPPORTS OR IN CASE OF DEFECT WHENEVER THE TUBE LIGHT IS REMOVED FROM THE LAMP BODY, THE SAFETY FUNCTION OF THE TUBE NEEDS TO BE ACTIONED BY A 45 DEGREE TURN CLICK BACK. TO PROCESS THIS ACTION THE ELECTRICITY HAS TO BE SWITCHED OFF AND ON AGAIN AFTER FITTING THE TUBE.



INSTALLING THE WALL HANGING CABINET:

WHEN INSTALLING THE CABINET, ENSURE THAT THE MAINS CABLE IS PROTECTED AGAINST MECHANICAL DAMAGE BY PLACING IT INSIDE THE CAVITY BETWEEN THE REAR PANEL OF THE CABINET AND THE WALL.

IF THE EXTERNAL FLEXIBLE CABLE OR CORD OF THE LAMP IS DAMAGED, IT SHALL BE EXCLUSIVELY REPLACED BY THE MANUFACTURER OR HIS SERVICE AGENT OR A SIMILARLY QUALIFIED PERSON.

SAFETY ADVICE:

THE MAINS CABLE (FIGURE 2, BARE ENDS WITH END SLEEVES) MUST ONLY BE CONNECTED BY THE MANUFACTURER, AN AUTHORISED SERVICE REPRESENTATIVE OR A SIMILARLY QUALIFIED PERSON.

GLASS PANELS SHOULD ONLY BE REPLACED BY THE MANUFACTURER, AND AUTHORISED SERVICE REPRESENTATIVE OR A SIMILARLY QUALIFIED PERSON. PROTECT FROM MOISTURE PENETRATION.

CABINET BASE LIGHT SHELF

INSTALLATION GUIDE