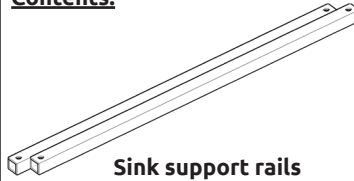


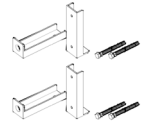
ACCESSORIES

Sink Units 500 - 1000 Undermount Sink Support Attachment Guide

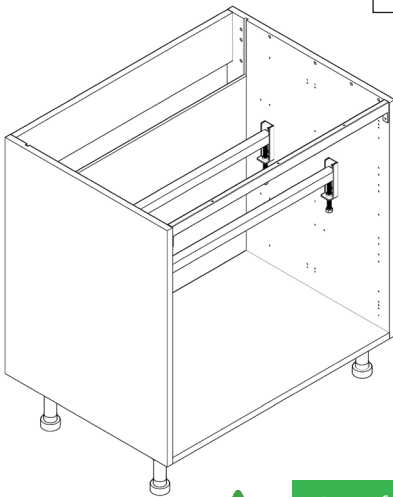
Contents:



Sink support rails
x2



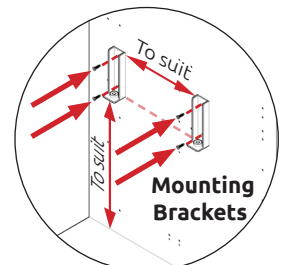
Mounting Bracket
& Fixings
x4



Step 1.

Position mounting brackets onto both end panels of the unit as shown so that the sink support rail provides support at the front and back of the underside of the sink. Allow clearance for sink & tap plumbing. Secure using 2 x screws per mounting bracket, 15mm screws are recommended.

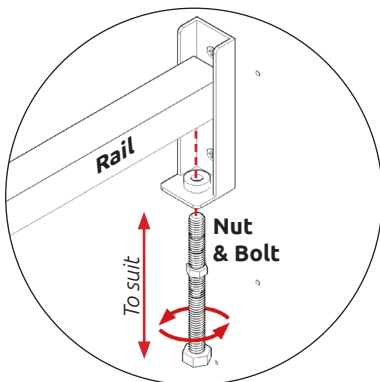
See customer specific kitchen plan for customer sink details.



View from inside unit



Screws for attaching mounting brackets are not provided. Ensure appropriate fixings for this are used.



Step 2.

Adjust bolt to raise or lower the rail so that it applies sufficient support to the sink.



Applying excessive pressure will damage the sink. For curved underside sinks, use packers where necessary to move supporting pressure from the centre of the sink to the edges.