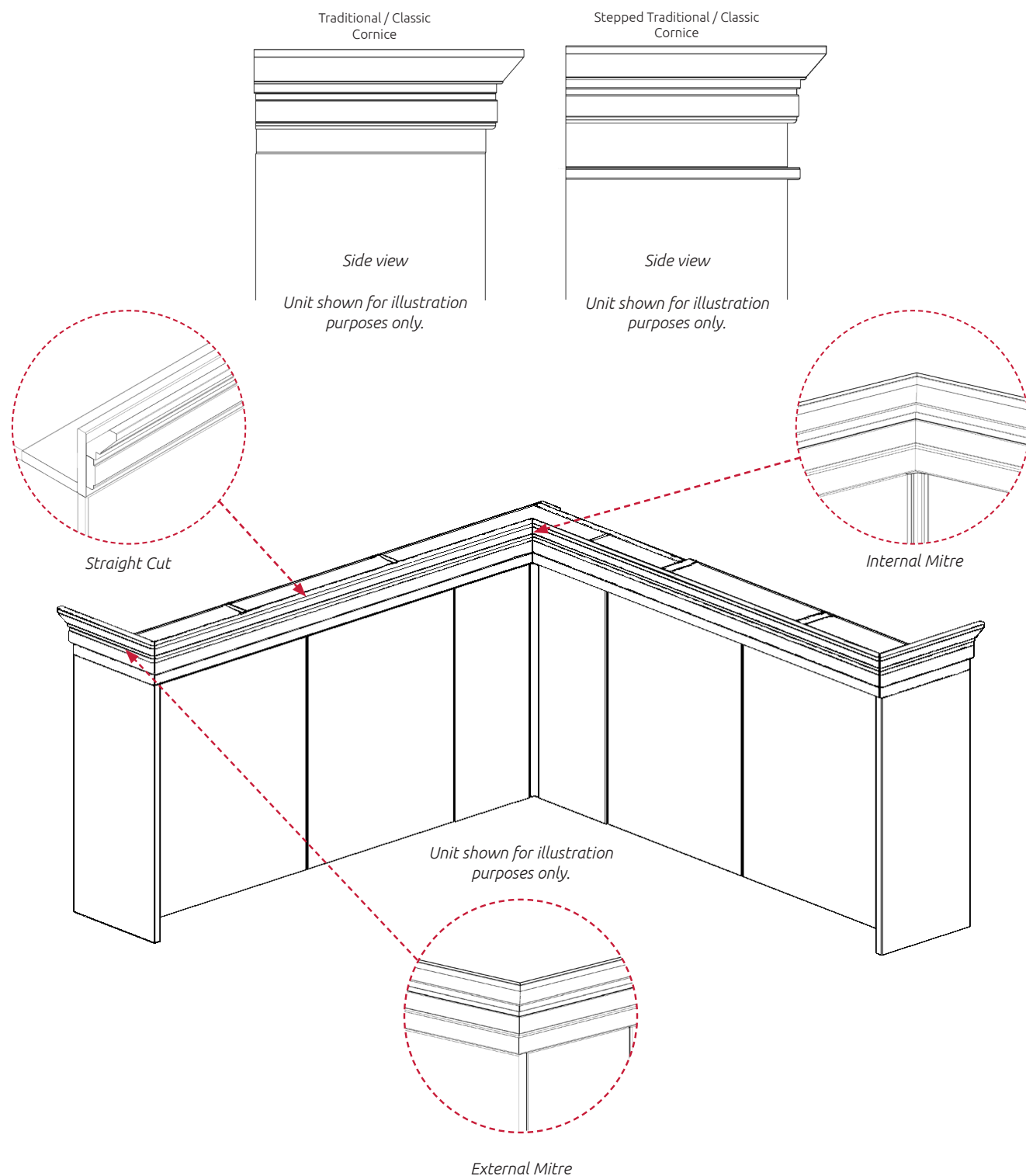


ACCESSORIES

Stacked Traditional / Classic Cornice Fitting Guide



Contents:

Traditional / Classic Cornice

1. Straight cut - Pages 1-4
2. External mitre joint - Pages 5-8
3. Internal mitre joint - Page 9-11

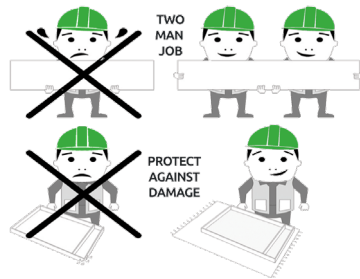
Stepped Traditional / Classic Cornice

1. Straight cut - Pages 12-14
2. External mitre joint - Pages 15-18
3. Internal mitre joint - Page 19-21

4. Final Fit - Page 22

ACCESSORIES

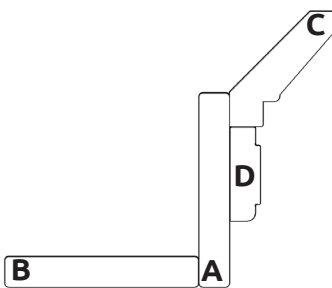
Stacked Traditional / Classic Cornice Fitting Guide



BEFORE YOU START

INSTALLATION SHOULD BE PERFORMED BY A COMPETENT PERSON ONLY.

THIS PRODUCT COULD BE DANGEROUS IF INCORRECTLY INSTALLED

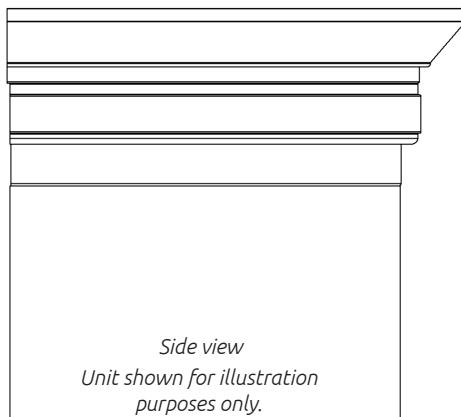


Throughout the following installation guide the parts that make up this stacked traditional/classic cornice will be labelled as per the illustration on the left.

Please note part D is applicable on the classic cornice only.



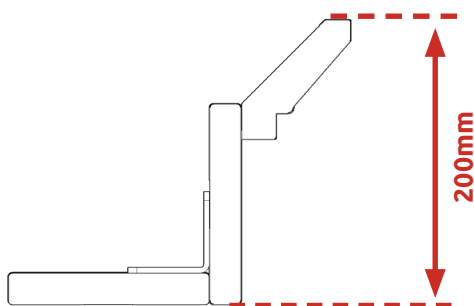
Please note the stacked traditional/classic cornice should be fully assembled at ground level then lifted into position.



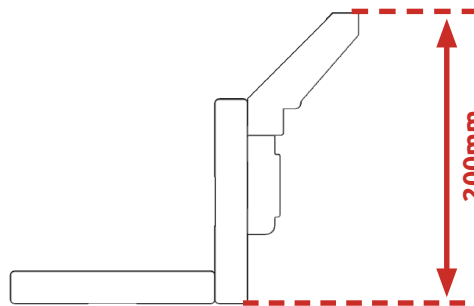
Traditional / Classic Cornice Pages 1 - 11



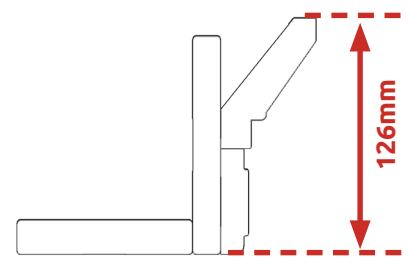
Please note that the stacked traditional/classic cornice has a minimum and maximum height limitation as below.



Traditional Cornice Maximum height

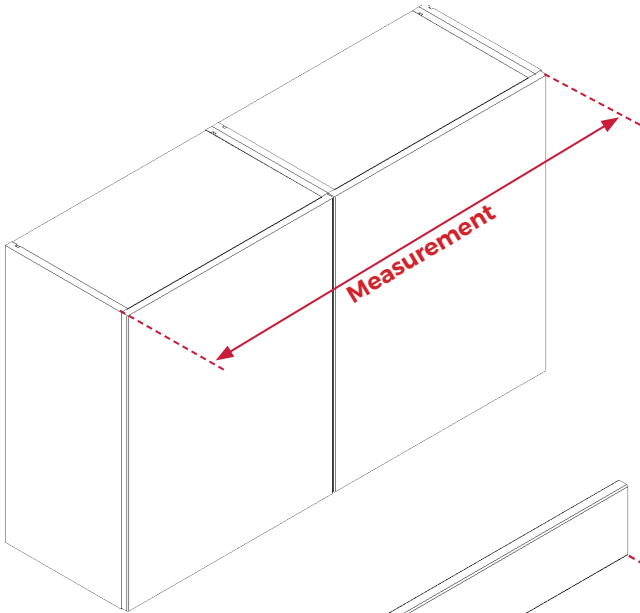


Classic Cornice Maximum height



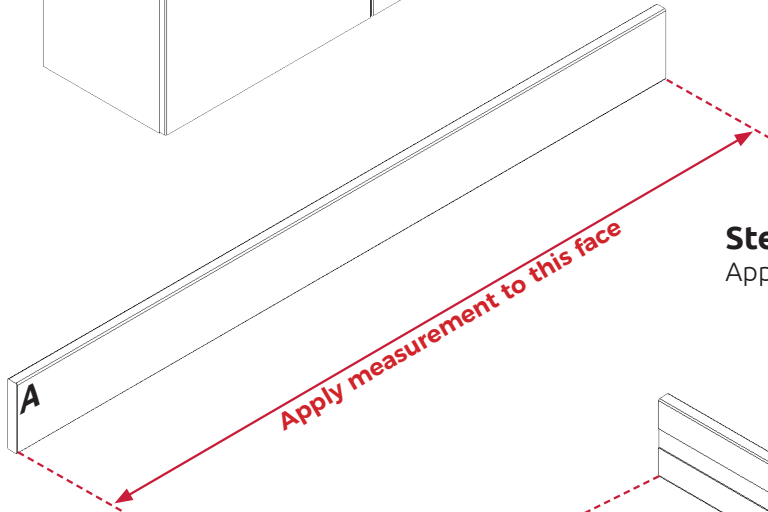
Classic Cornice Minimum height

Straight Length



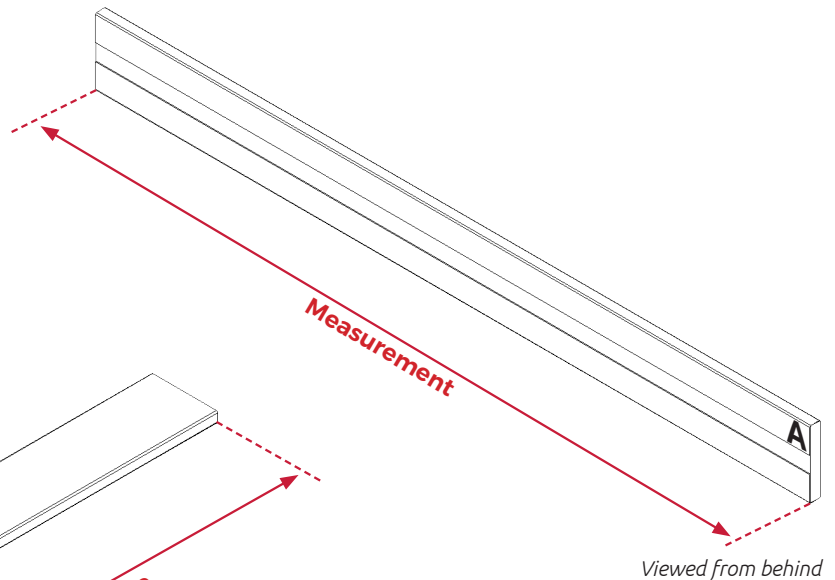
Step 1.

Measure the distance from each end of the wall units.



Step 2.

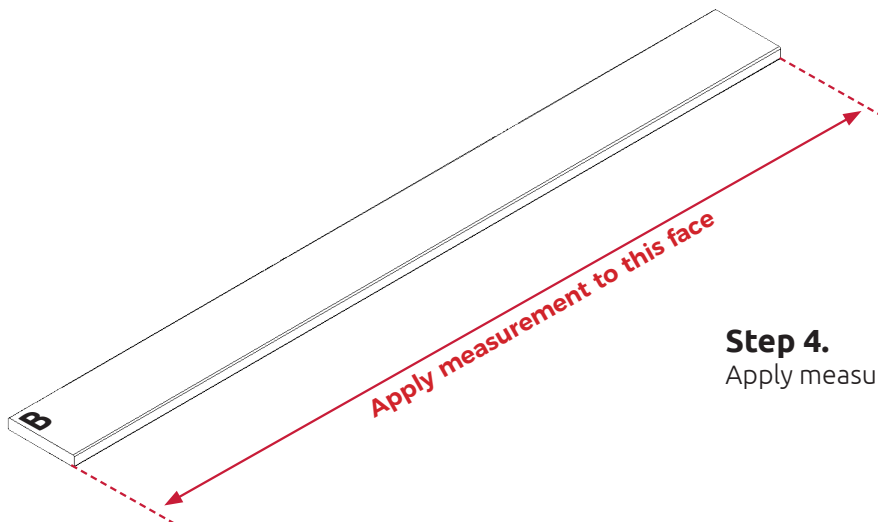
Apply the measurement to part A and cut to size.



Viewed from behind

Step 3.

Measure the inside face of part A.

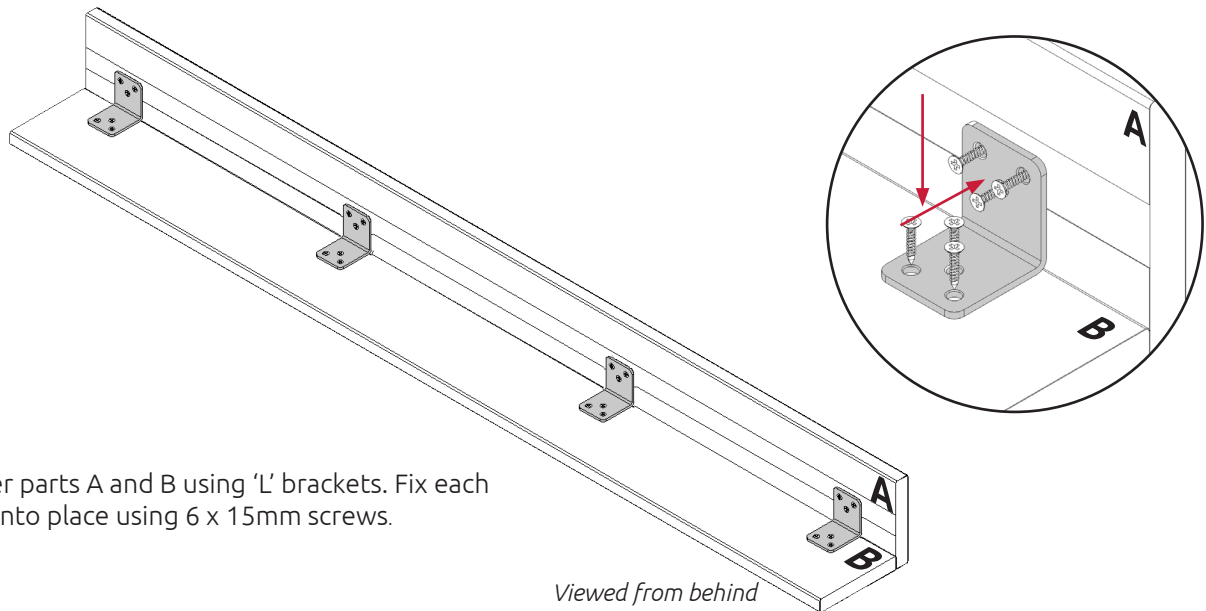


Step 4.

Apply measurement to the front edge of part B.

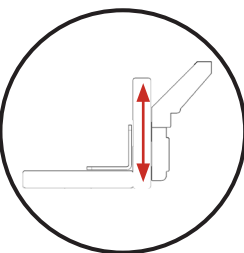
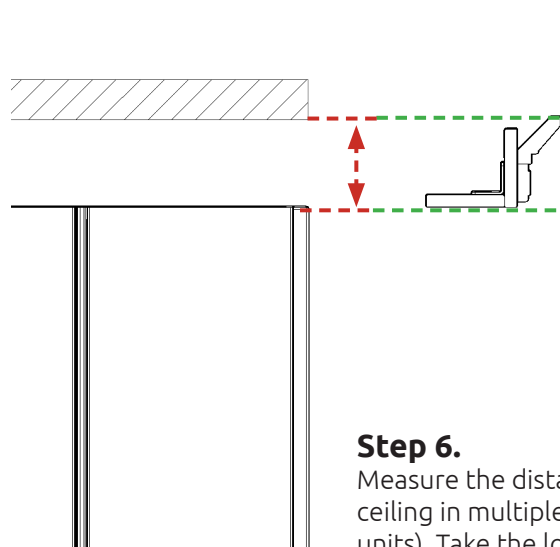
ACCESSORIES

Stacked Traditional / Classic Cornice Fitting Guide

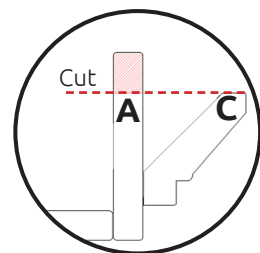


Step 5.

Fix together parts A and B using 'L' brackets. Fix each 'L' Bracket into place using 6 x 15mm screws.



Stacked cornice is adjustable along part A



Please note: if part C sits lower than part A then part A should be cut down to size.

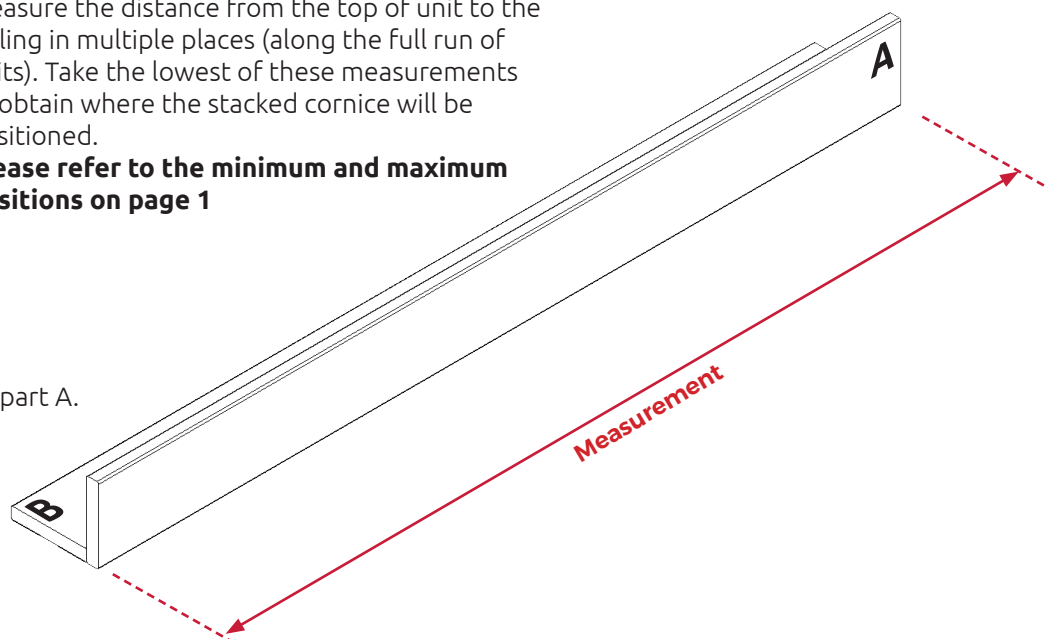
Step 6.

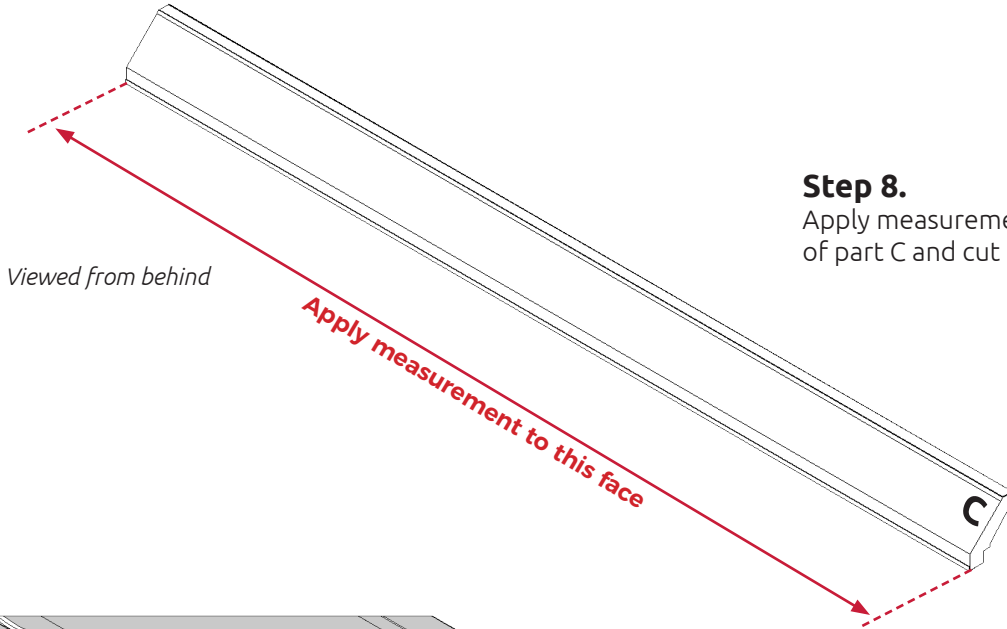
Measure the distance from the top of unit to the ceiling in multiple places (along the full run of units). Take the lowest of these measurements to obtain where the stacked cornice will be positioned.

Please refer to the minimum and maximum positions on page 1

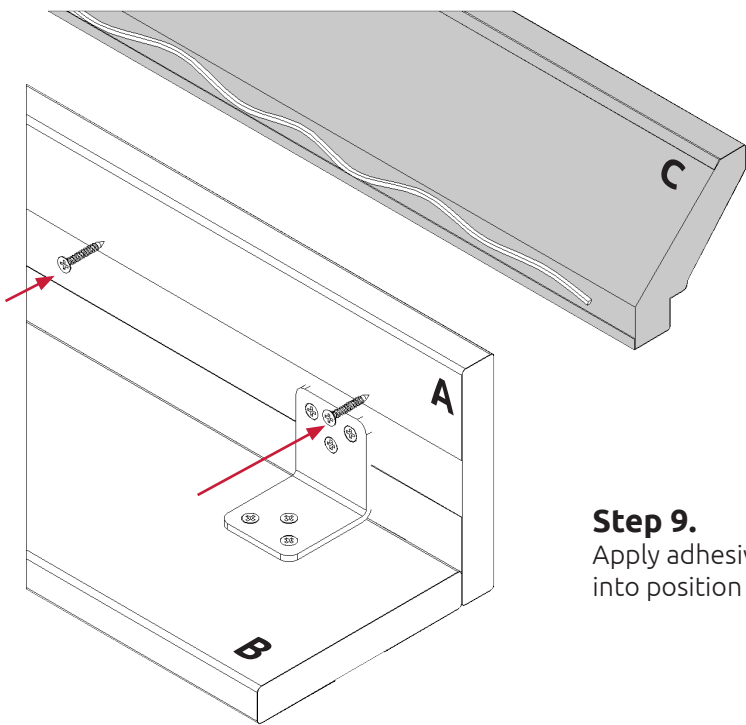
Step 7.

Measure the outside face of part A.



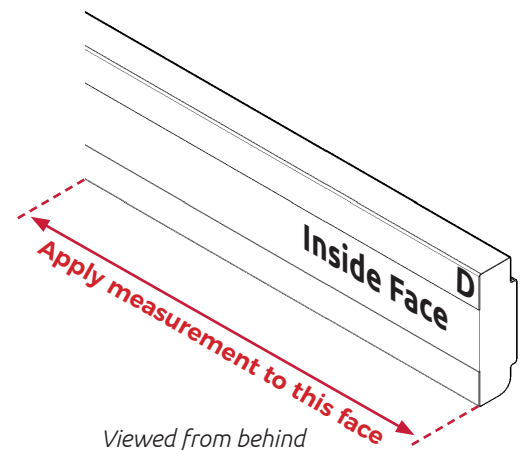
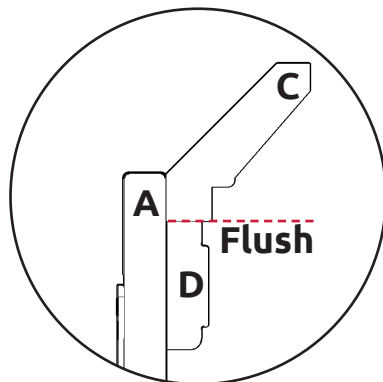


Step 8.
Apply measurement to the inside face of part C and cut to size.



Step 9.
Apply adhesive to the back of part C. Fix part C into position using 30mm screws.

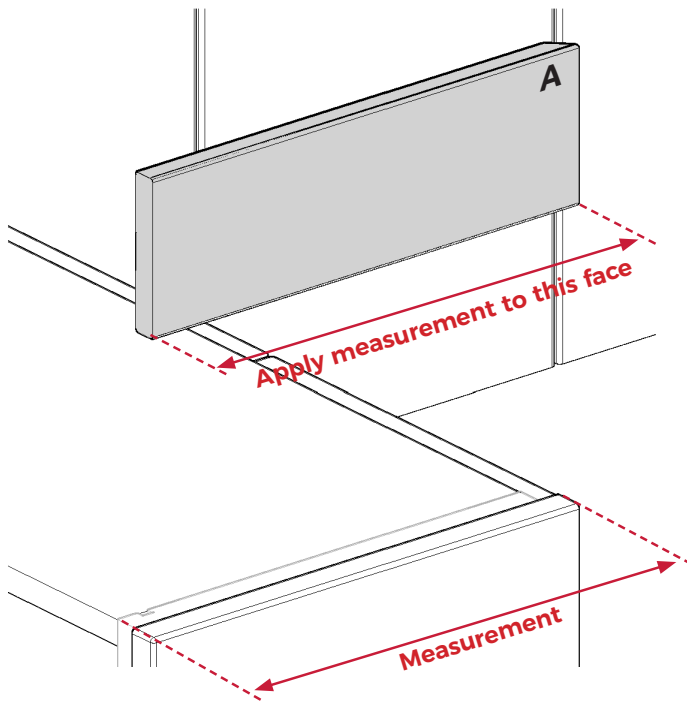
Step 10.
If using the classic traditional cornice repeat steps 7-9. Make sure the top face of part D is touching the bottom face of part C.



ACCESSORIES

Stacked Traditional / Classic Cornice Fitting Guide

External Mitre Joint



*Example of external mitre joint.
Unit shown for illustration
purposes only.*

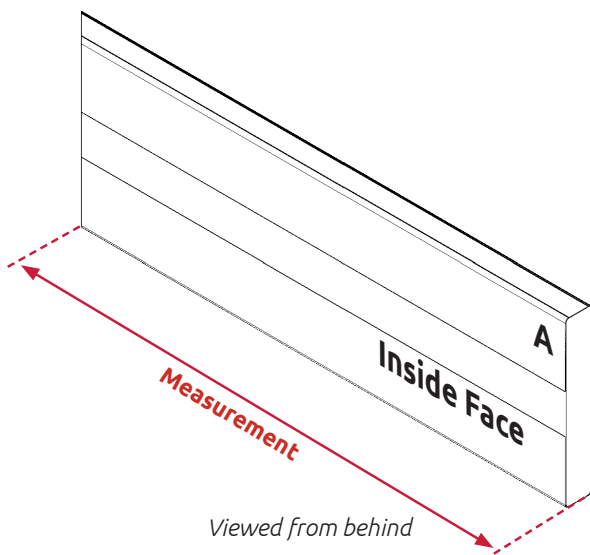
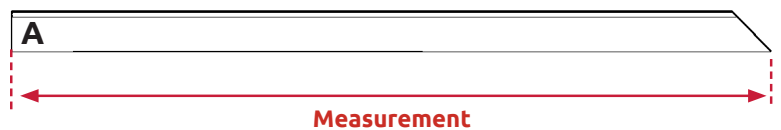
Step 11.

Measure the distance from the wall to the front face of the decor end.

Step 12.

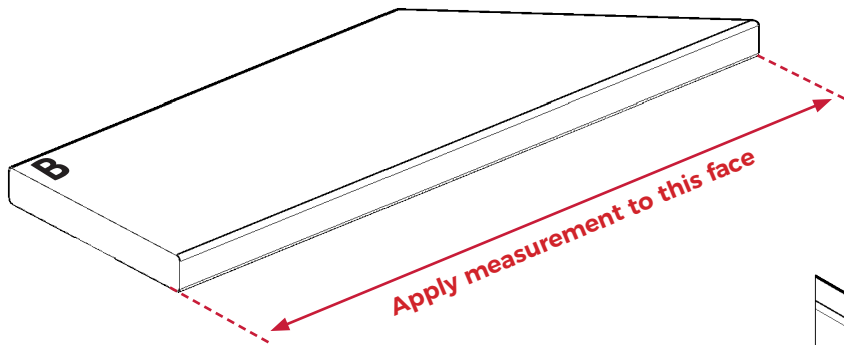
Apply the measurement to part A and cut to size. Mitre cut the front edge (that will line up with the doors) at a 45° angle.

Plan View



Step 13.

Measure the inside face of part A (from the wall end to the internal mitre).

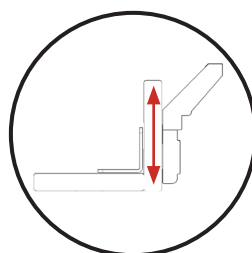
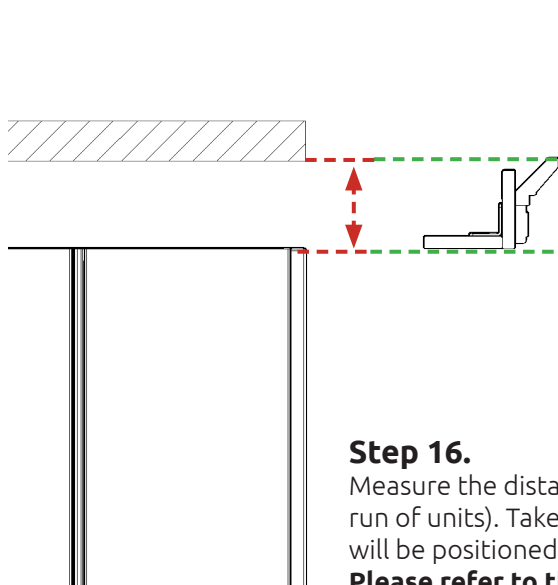
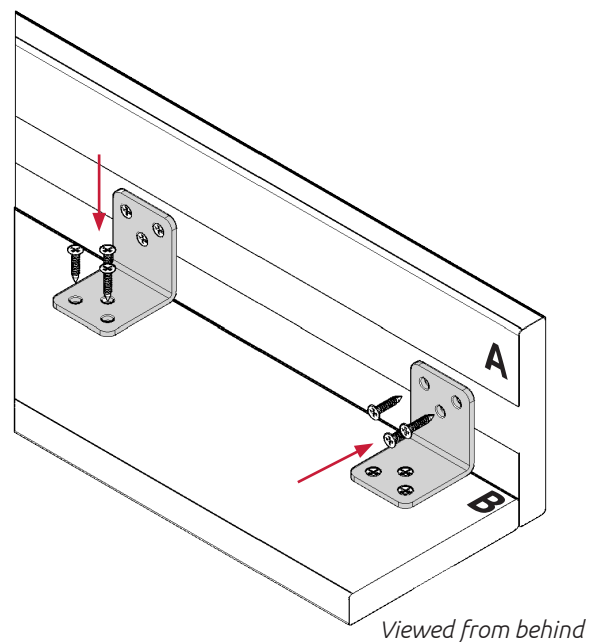


Step 14.

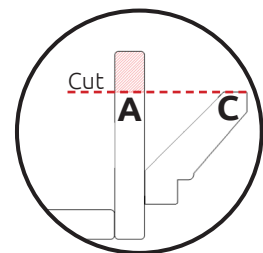
Apply measurement to the front edge of part B, mitre at a 45° angle.

Step 15.

Fix together parts A and B using 'L' brackets. Fix each 'L' Bracket into place using 6 x 15mm screws.



Stacked cornice is adjustable along part A



Please note: if part C sits lower than part A then part A should be cut down to size.

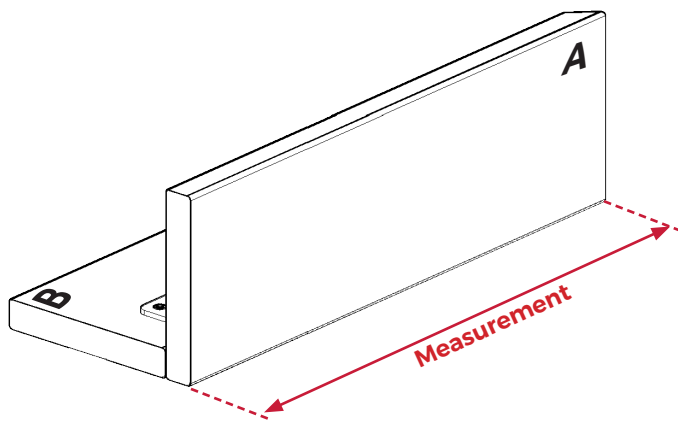
Step 16.

Measure the distance from the top of unit to the ceiling in multiple places (along the full run of units). Take the lowest of these measurements to obtain where the stacked cornice will be positioned.

Please refer to the minimum and maximum positions on page 1

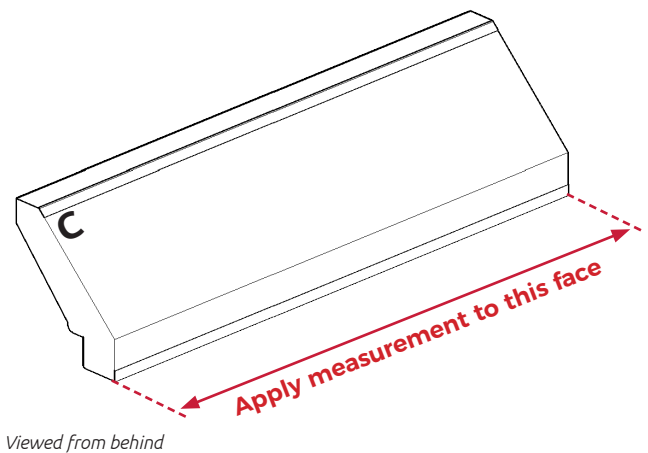
ACCESSORIES

Stacked Traditional / Classic Cornice Fitting Guide

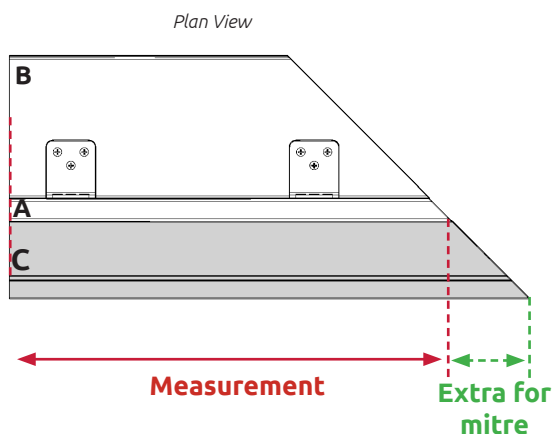


Step 17.

Measure the outside face of part A.

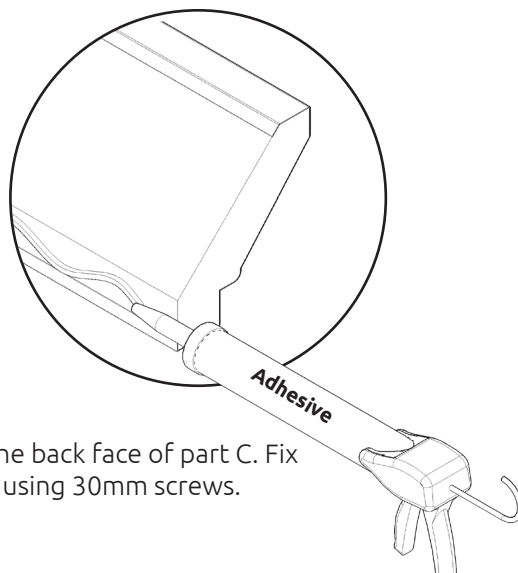


Viewed from behind



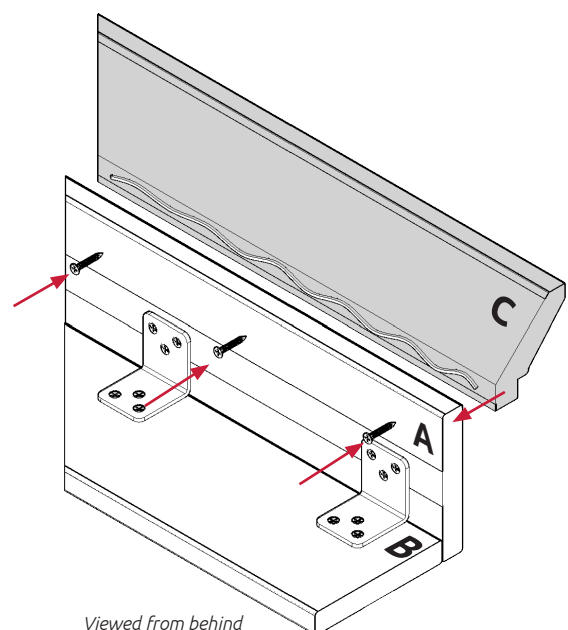
Step 18.

Apply measurement to the inside face of part C and cut to size. Part C should be mitred at a 45° angle, make sure to add extra material to the measurement in order to achieve the required mitre joint (see illustration left).



Step 19.

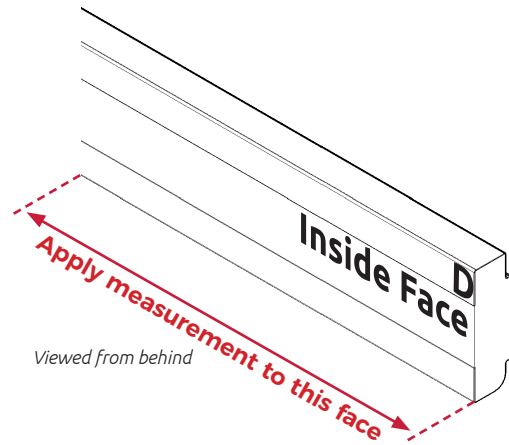
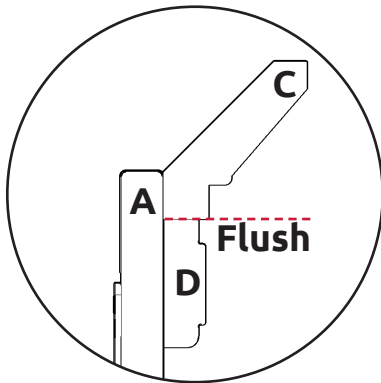
Apply adhesive to the back face of part C. Fix part C into position using 30mm screws.



Viewed from behind

Step 20.

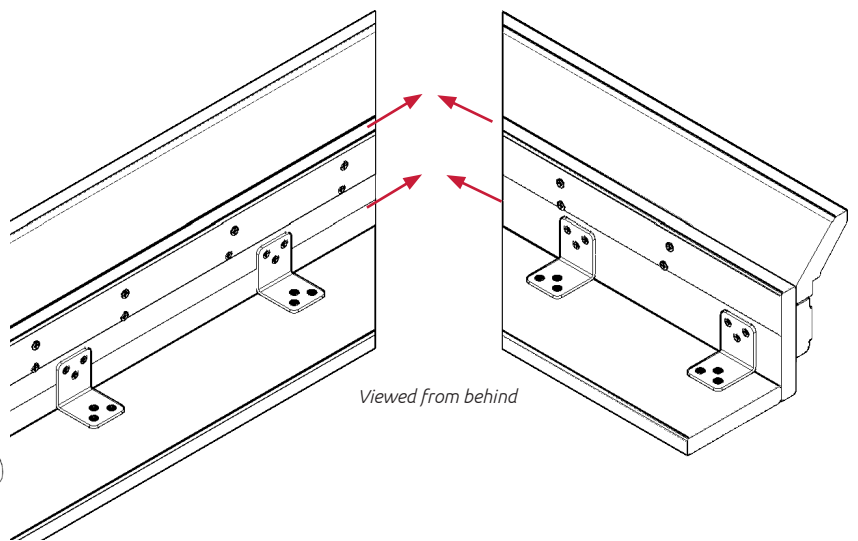
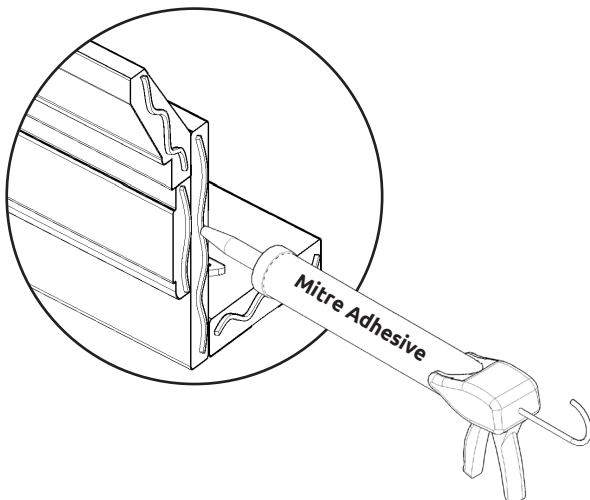
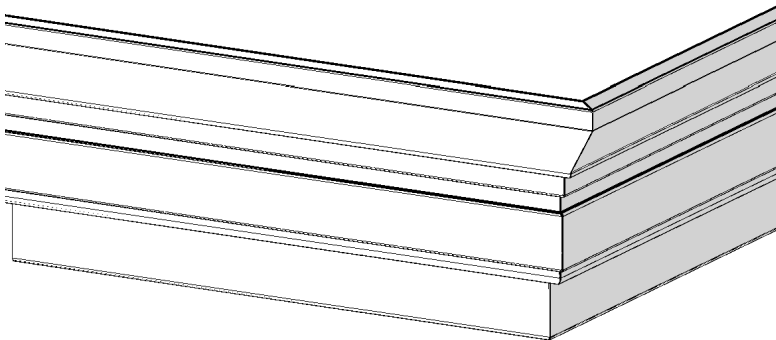
If using the classic cornice repeat steps 17-19. Make sure the top face of part D is touching the bottom face of part C.



Viewed from behind

Step 21.

Repeat steps 11 - 20 using opposite mitre cuts to build the next adjoining cornice.



Viewed from behind

Step 22.

Apply mitre adhesive to each of the mitred joints and fix together. Make sure all the mitred joints are aligned properly.

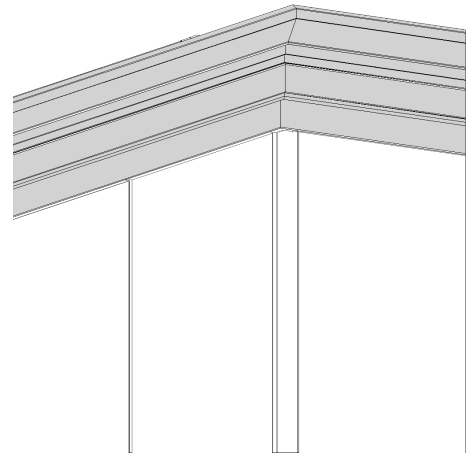
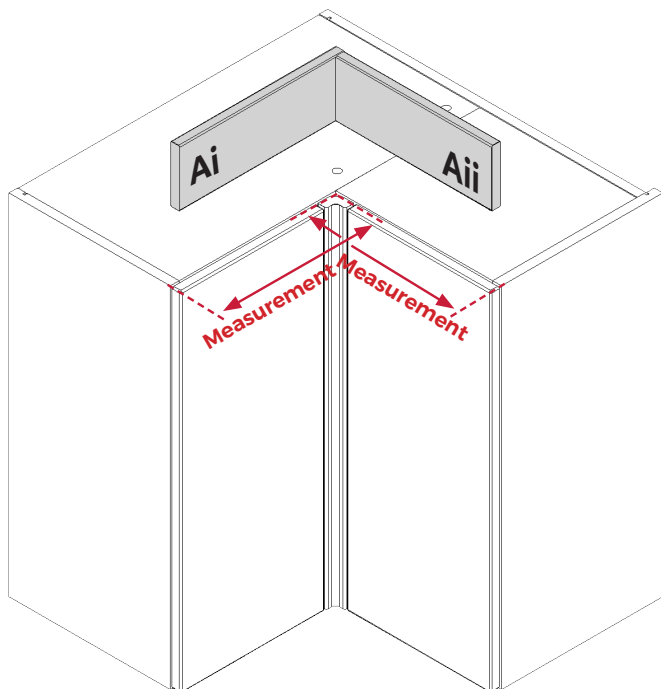


Assembly should be carried out at ground level and lifted into place in one piece.

ACCESSORIES

Stacked Traditional / Classic Cornice Fitting Guide

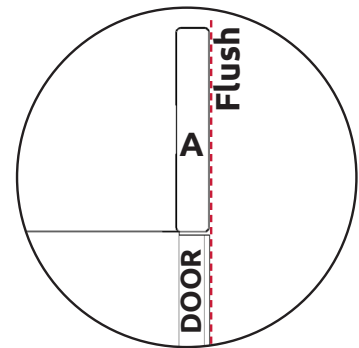
Internal Mitre Joint



*Example of internal mitre joint.
Unit shown for illustration
purposes only.*

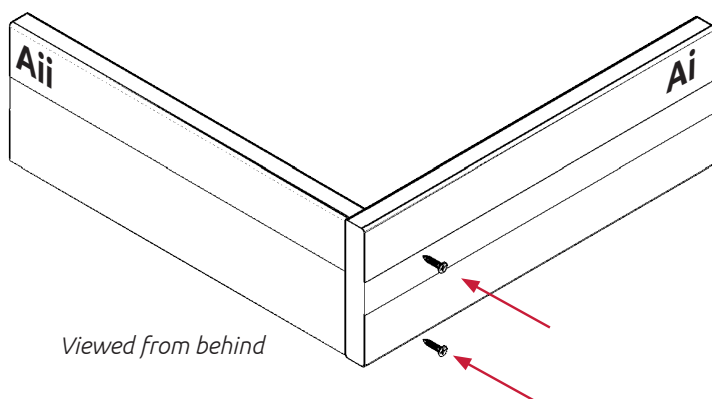
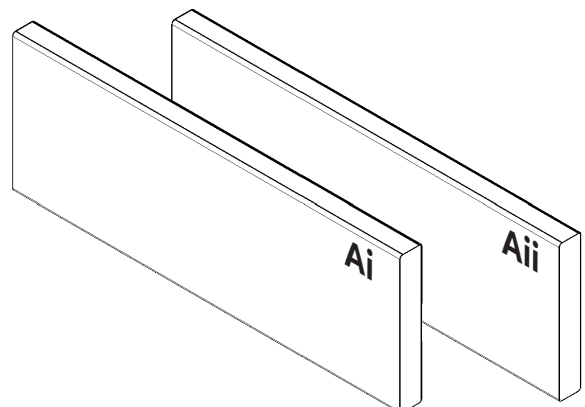
Step 23.

Take measurements from the outside face of the units to the adjacent corner points (as per illustration on the left). The front face of part A must be flush with the front face of the doors



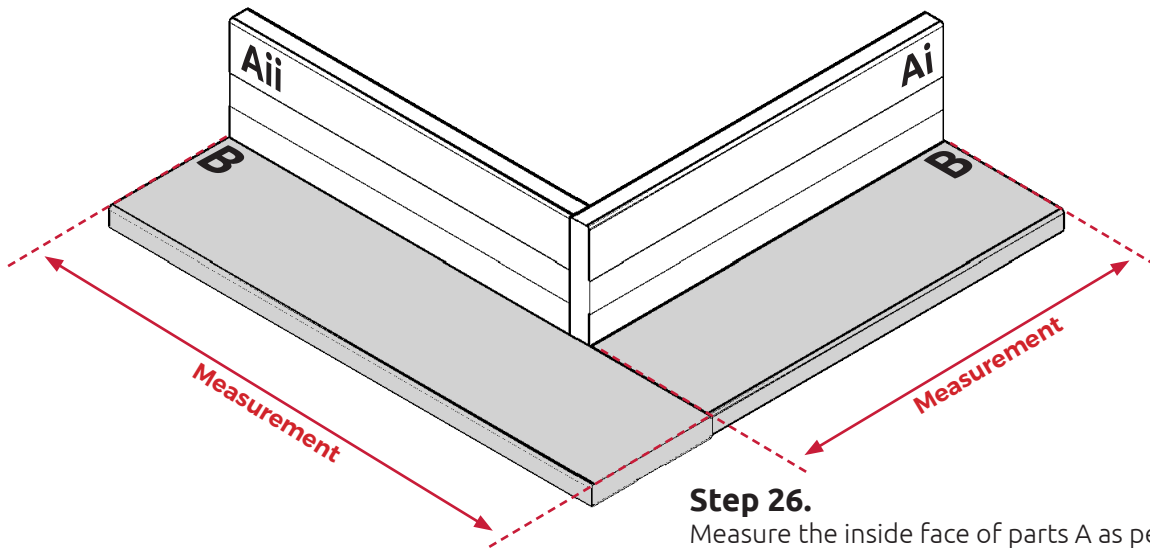
Step 24.

Cut parts A to size



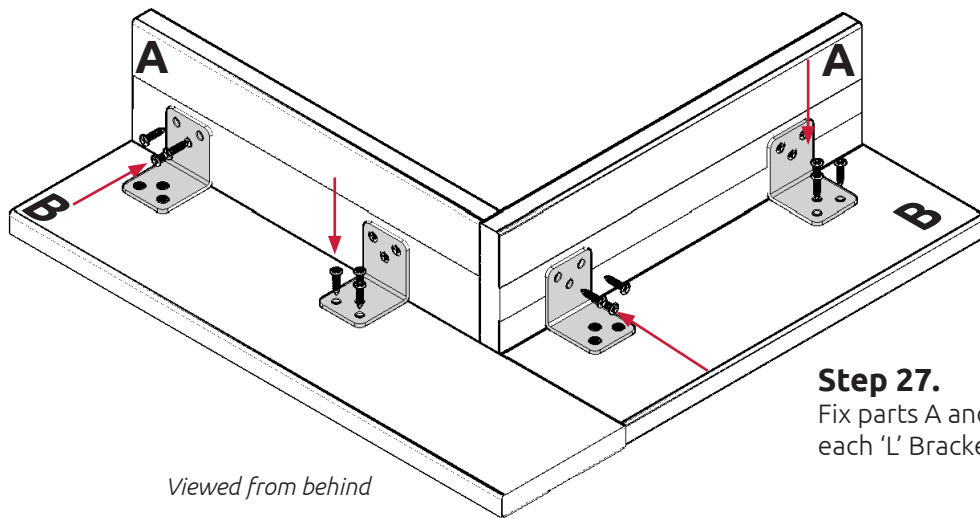
Step 25.

Screw through the inside face of part Ai into Aii using 30mm screws fixing both parts together.



Step 26.

Measure the inside face of parts A as per the illustration above. Apply these measurements to parts B and cut to size.



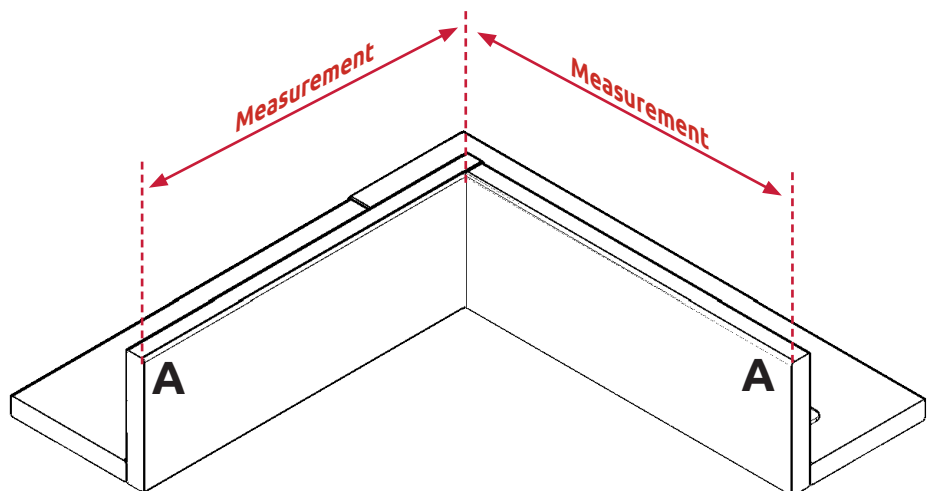
Viewed from behind

Step 27.

Fix parts A and B together using 'L' brackets. Fix each 'L' Bracket into place using 6 x 15mm screws.

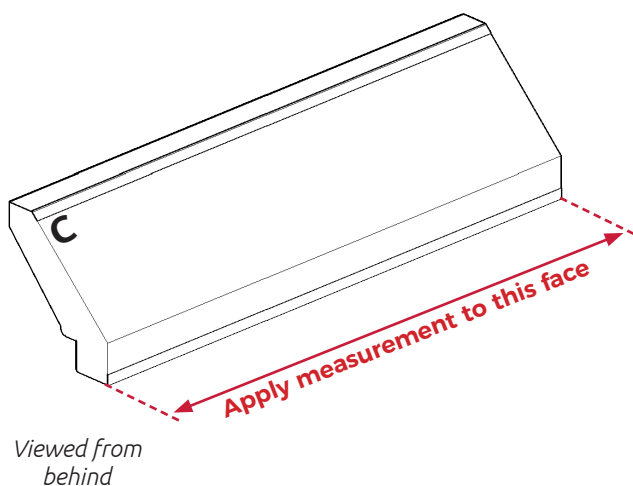
Step 28.

Measure the outside face of part A



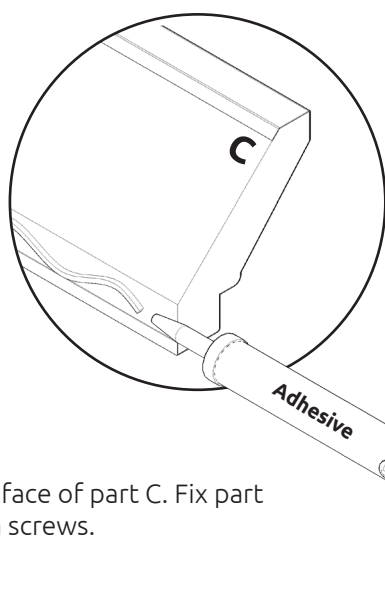
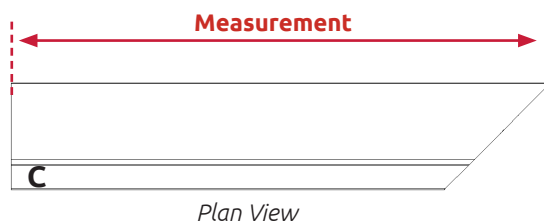
ACCESSORIES

Stacked Traditional / Classic Cornice Fitting Guide



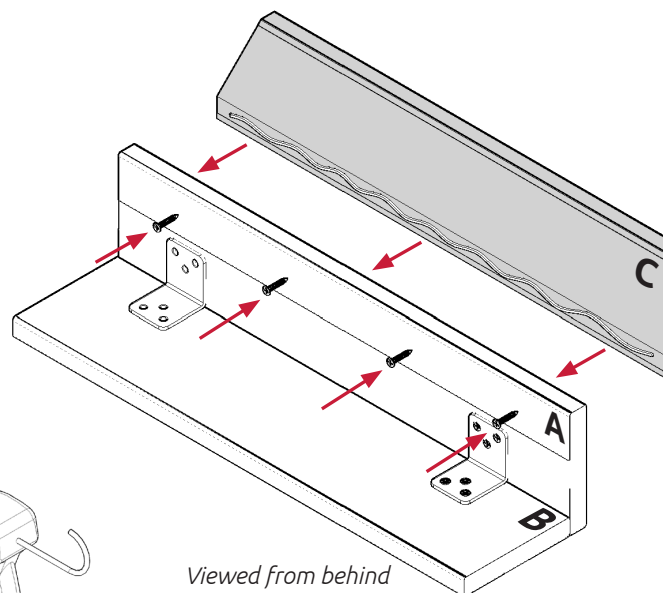
Step 29.

Apply measurements to the inside face of part C and cut to size. Part C should be mitred at a 45° angle.



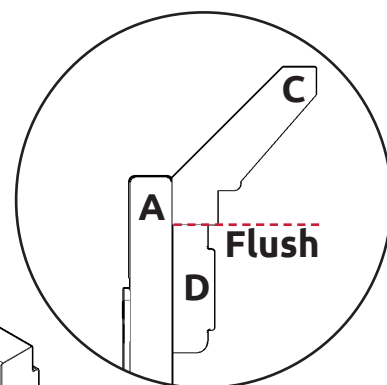
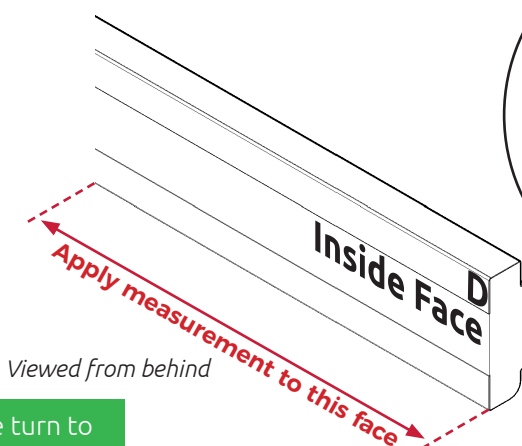
Step 30.

Apply adhesive to the back face of part C. Fix part C into position using 30mm screws.

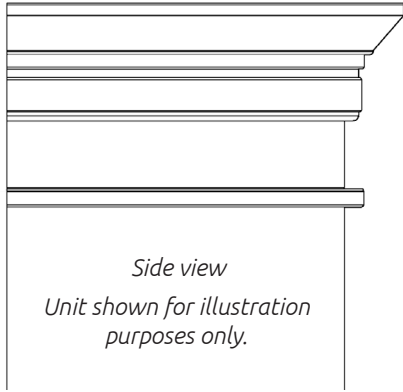


Step 31.

If using the classic cornice repeat steps 28-30. Make sure the top face of part D is touching the bottom face of part C.



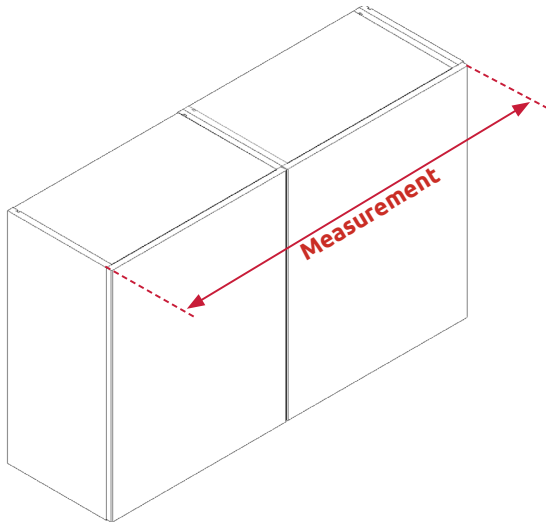
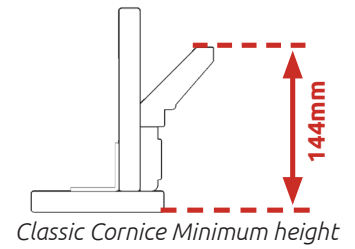
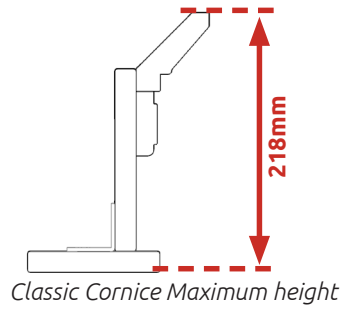
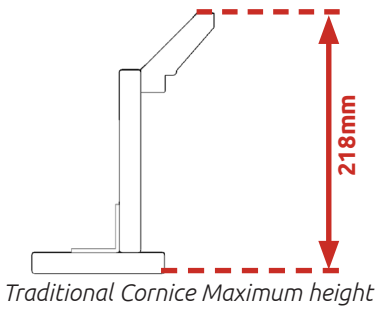
For final fitting instruction please turn to page 22



Stepped Traditional / Classic Cornice Pages 12 - 21



Please note that the stepped traditional/classic Cornice has a minimum and maximum height limitation see below.



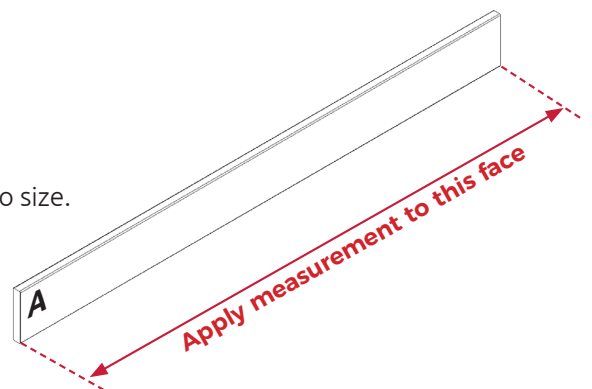
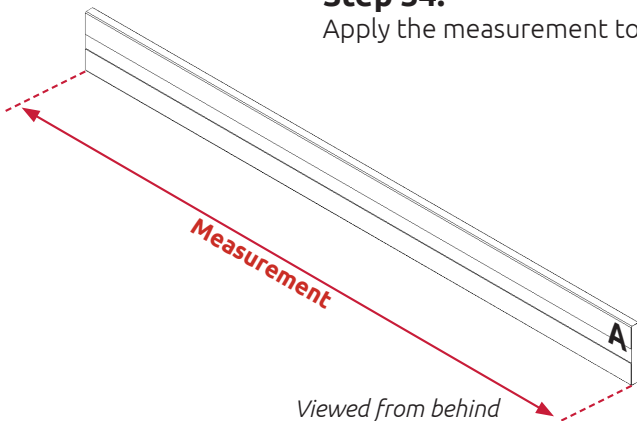
Straight Length

Step 33.

Measure the distance from each end of the wall units.

Step 34.

Apply the measurement to part A and cut to size.

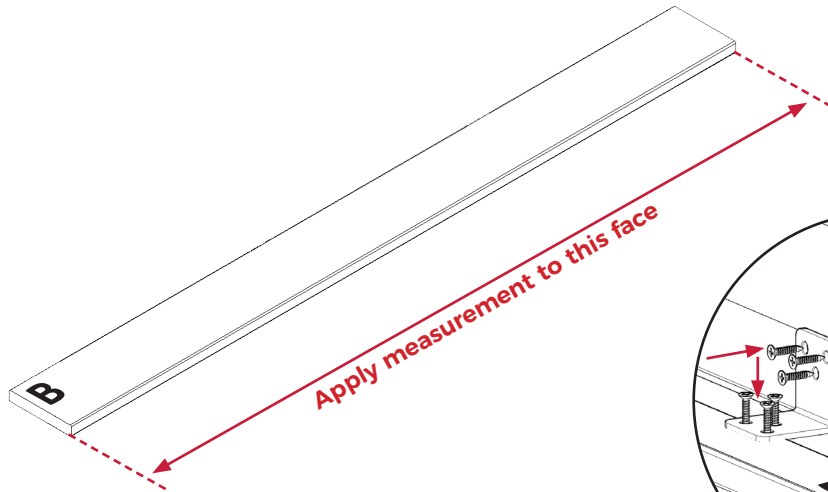


Step 35.

Measure the inside face of part A.

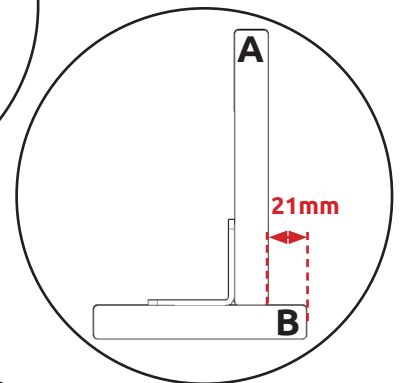
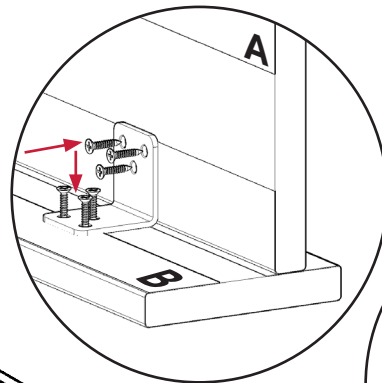
ACCESSORIES

Stacked Traditional / Classic Cornice Fitting Guide



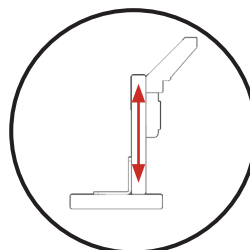
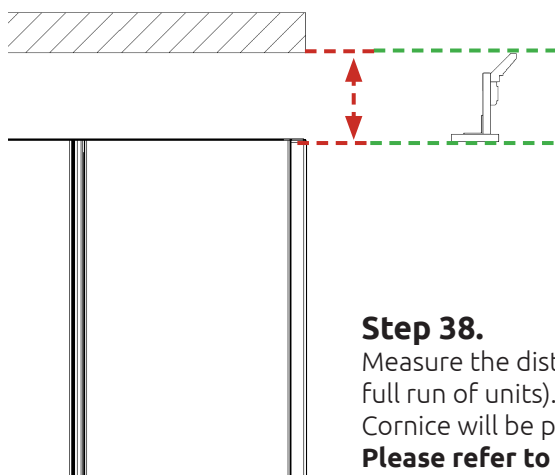
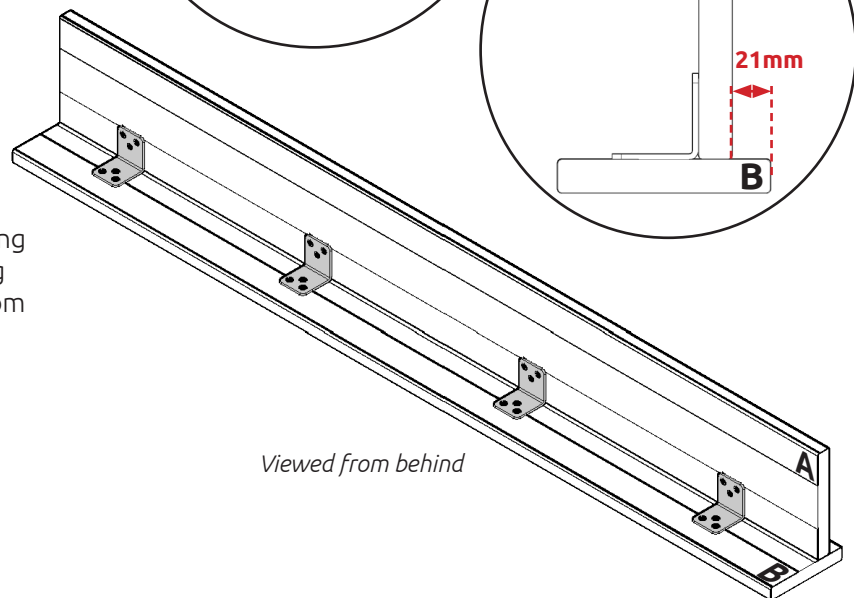
Step 36.

Apply measurement to the front edge of part B.

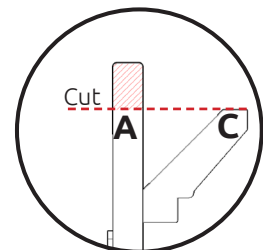


Step 37.

Placing part A on top of part B fix together using 'L' brackets. Fix each 'L' Bracket into place using 6 x 15mm screws. Make sure there is 21mm from the front of part A to the front of part B.



Stacked Cornice is adjustable along part A

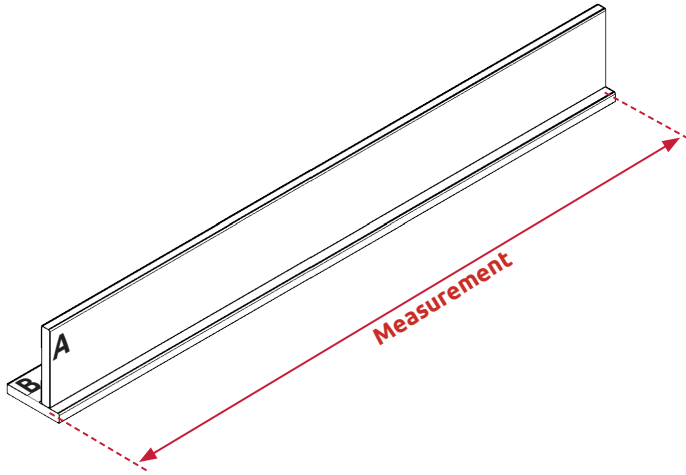


Please note: if part C sits lower than part A then part A should be cut down to size.

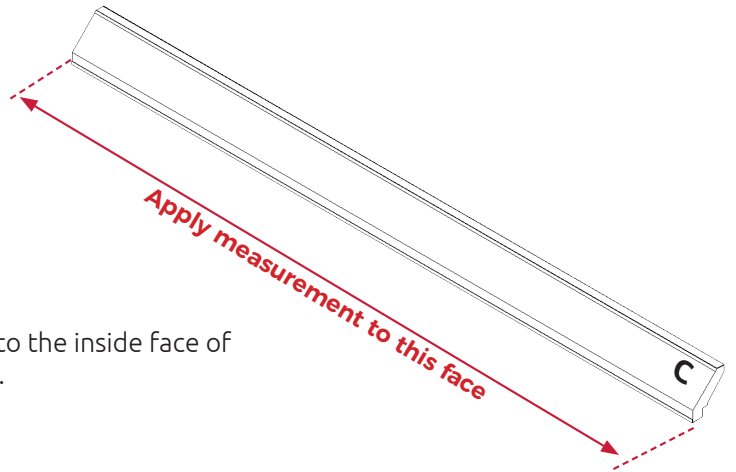
Step 38.

Measure the distance from the top of unit to the ceiling in multiple places (along the full run of units). Take the lowest of these measurements to obtain where the stacked Cornice will be positioned.

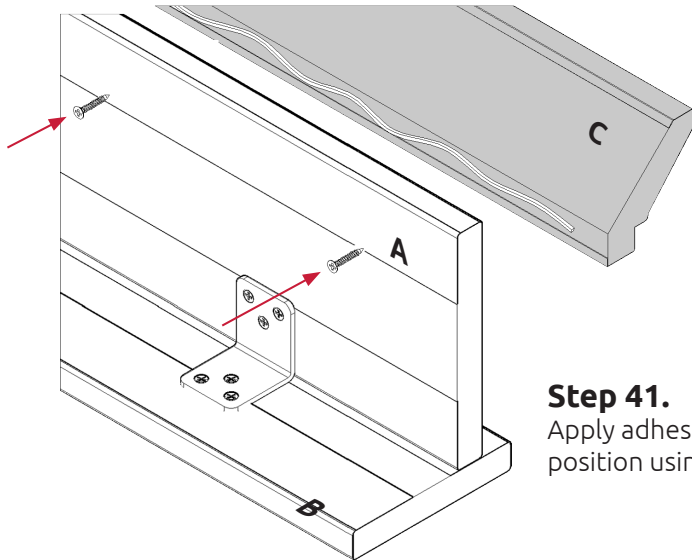
Please refer to the minimum and maximum positions on page 12



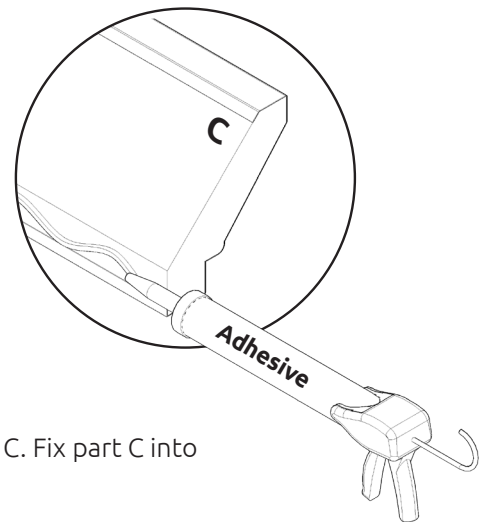
Step 39.
Measure the outside face of part A.



Step 40.
Apply measurement to the inside face of part C and cut to size.

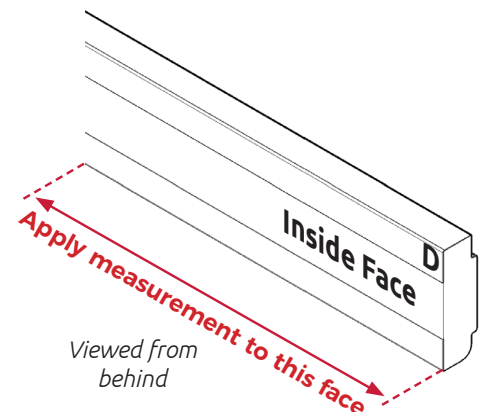
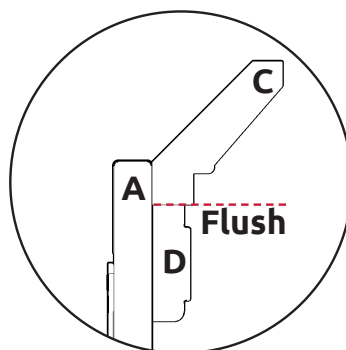


Viewed from behind



Step 41.
Apply adhesive to the back of part C. Fix part C into position using 30mm screws.

Step 42.
If using the classic traditional Cornice repeat steps 39-41. Make sure the top face of part D is touching the bottom face of part C.

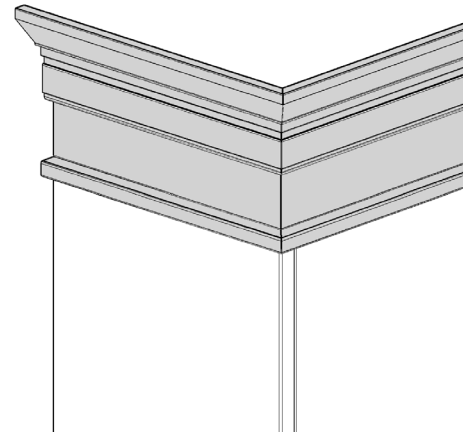
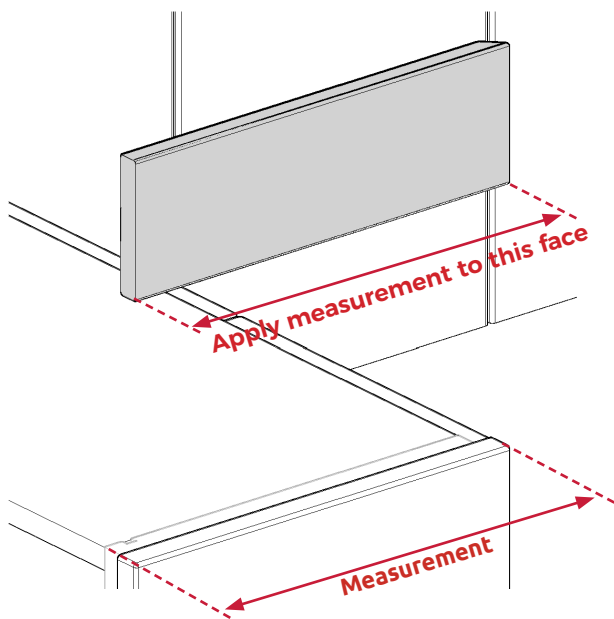


Viewed from behind

ACCESSORIES

Stacked Traditional / Classic Cornice Fitting Guide

External Mitre Joint



Example of external mitre joint. Unit shown for illustration purposes only.

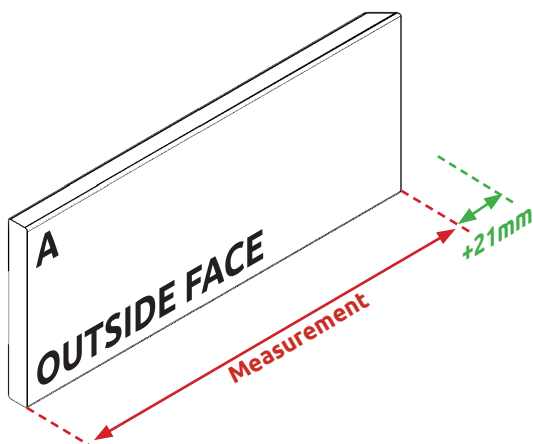
Step 43.

Measure the distance from the wall to the front face of the decor end.

Step 44.

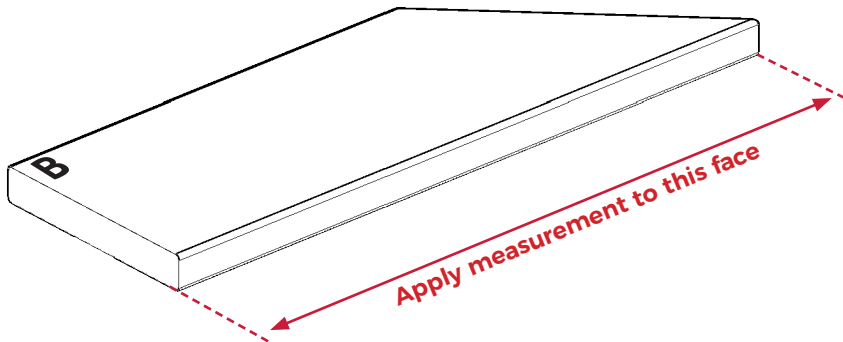
Apply the measurement to part A and cut to size. Mitre cut the front edge (that will line up with the doors) at a 45° angle.

Plan View



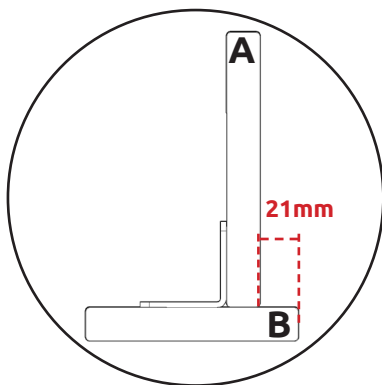
Step 45.

Measure the outside face of part A (from the wall to the external mitre) and add 21mm.



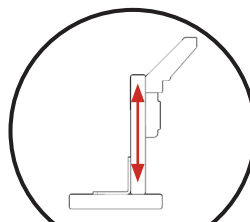
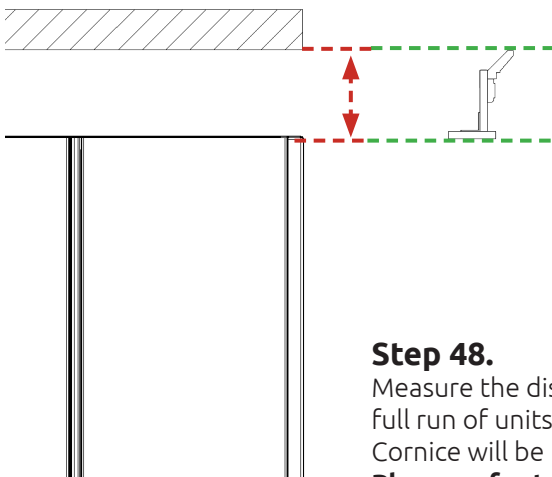
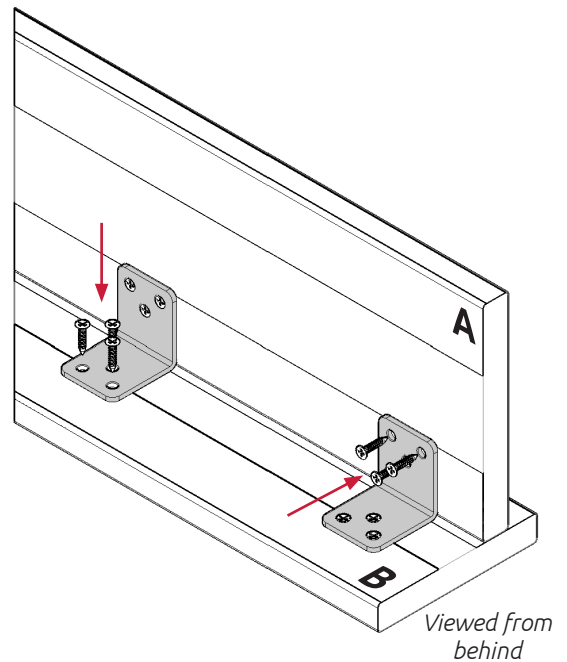
Step 46.

Apply measurement to the front edge of part B, mitre at a 45° angle.

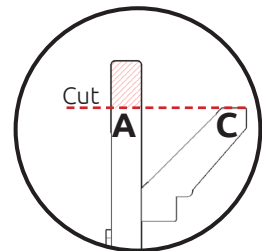


Step 47.

Fix together parts A and B using 'L' brackets. Fix each 'L' Bracket into place using 6 x 15mm screws. Make sure there is a 21mm gap between the front faces of parts A and B.



Stacked Cornice is adjustable along part A



Please note: if part C sits lower than part A then part A should be cut down to size.

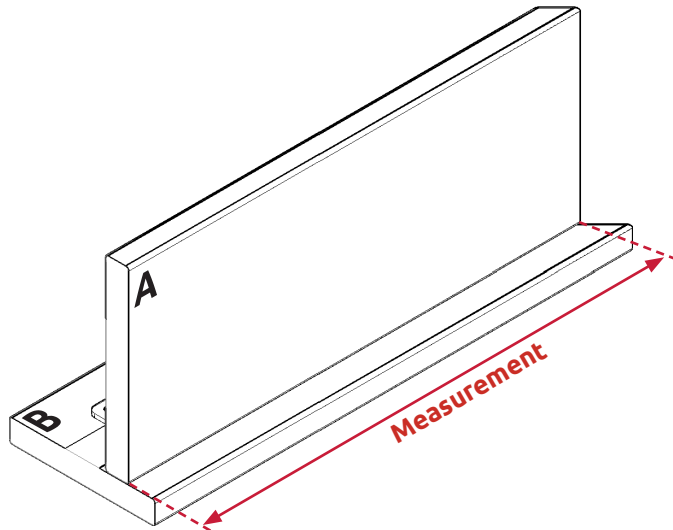
Step 48.

Measure the distance from the top of unit to the ceiling in multiple places (along the full run of units). Take the lowest of these measurements to obtain where the stacked Cornice will be positioned.

Please refer to the minimum and maximum positions on page 12

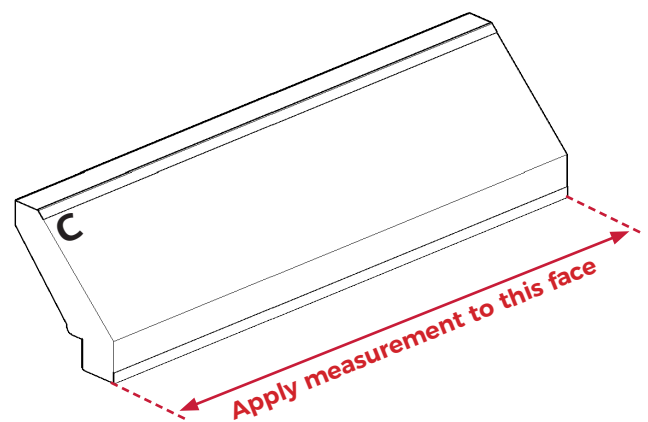
ACCESSORIES

Stacked Traditional / Classic Cornice Fitting Guide

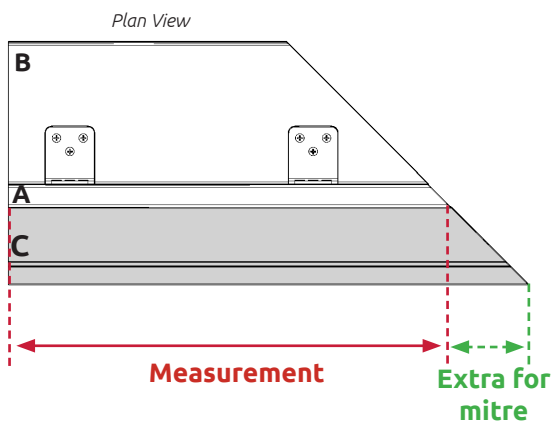


Step 49.

Measure the outside face of part A.

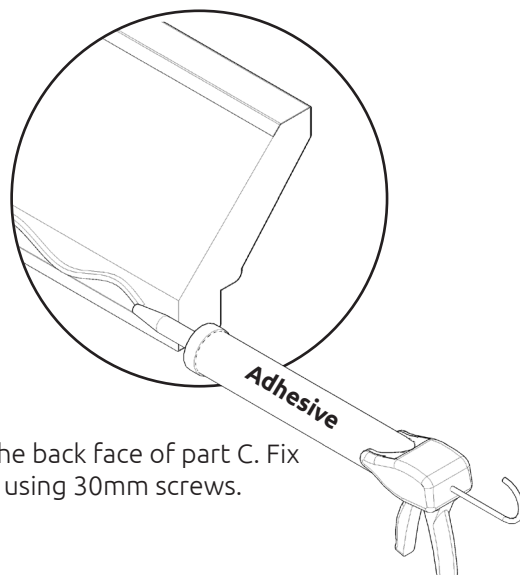


Viewed from behind



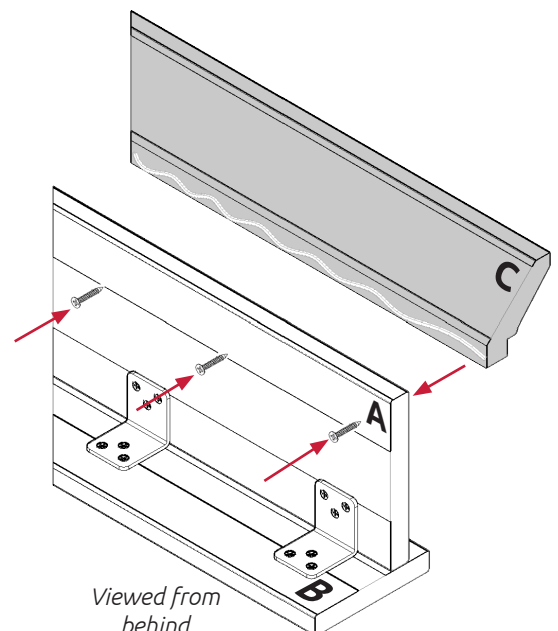
Step 50.

Apply measurement to the inside face of part C and cut to size. Part C should be mitred at a 45° angle, make sure to add extra material to the measurement in order to achieve the required mitre joint (see illustration left).



Step 51.

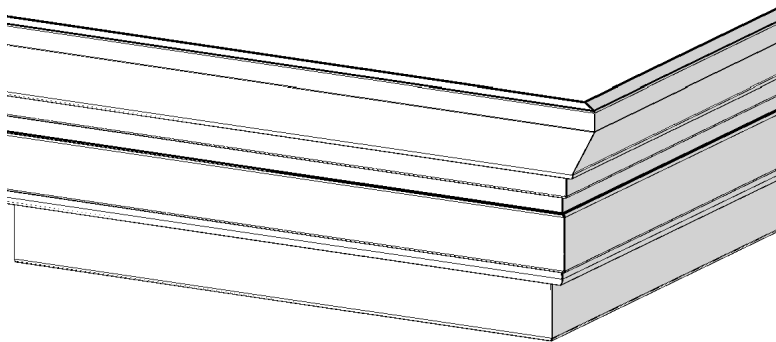
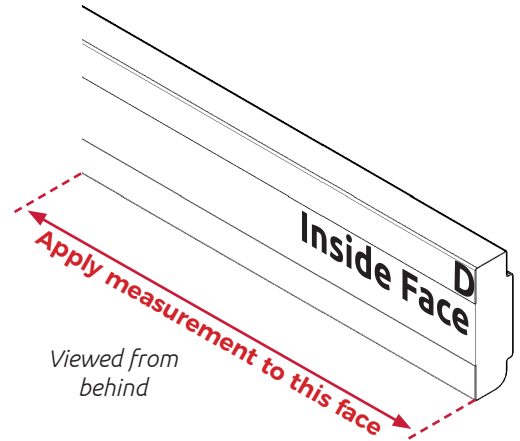
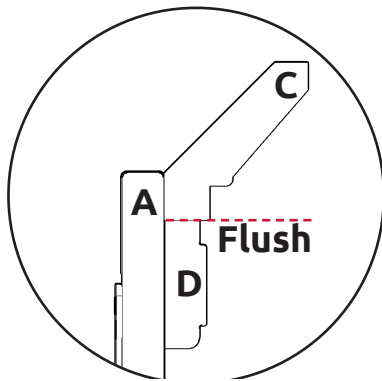
Apply adhesive to the back face of part C. Fix part C into position using 30mm screws.



Viewed from behind

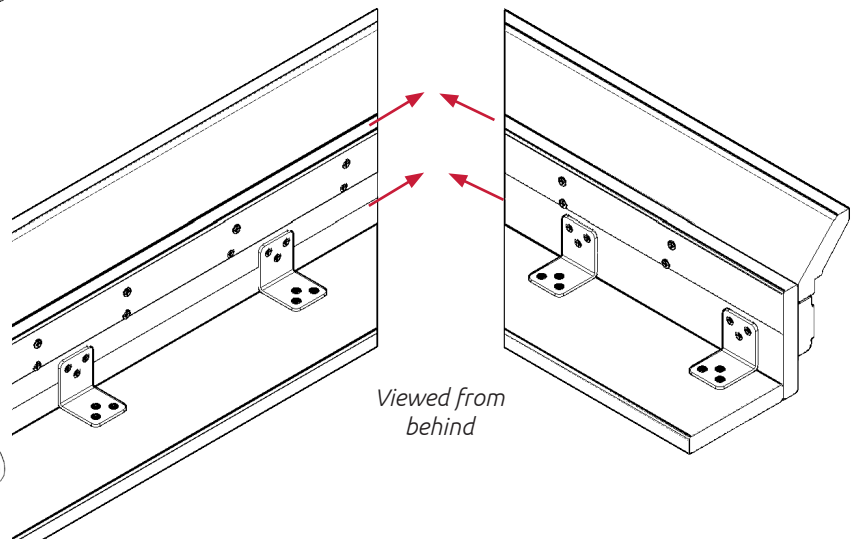
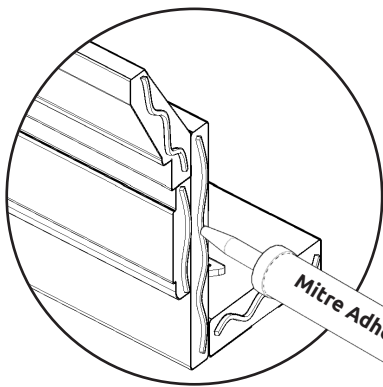
Step 52.

If using the classic cornice repeat steps 49-51. Make sure the top face of part D is touching the bottom face of part C.



Step 53.

Repeat steps 43 - 51 to build the next adjoining cornice.



Step 54.

Apply mitre adhesive to each of the mitred joints and fix together. Make sure all the mitred joints are aligned properly.

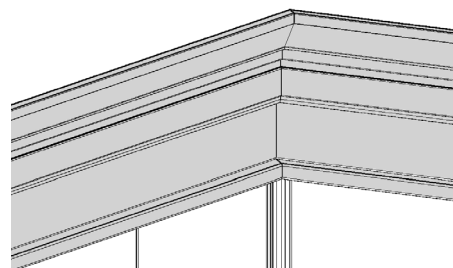
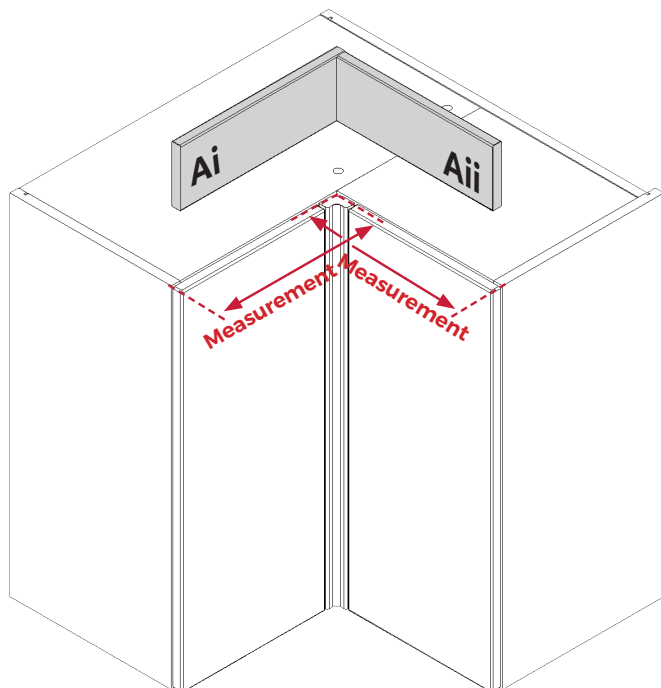


Assembly should be carried out at ground level and lifted into place in one piece.

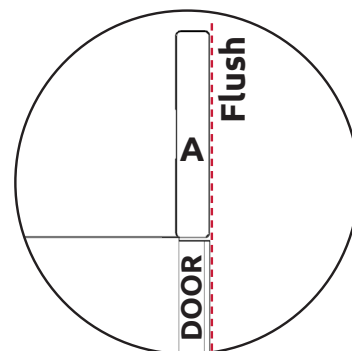
ACCESSORIES

Stacked Traditional / Classic Cornice Fitting Guide

Internal Mitre Joint



Example of internal mitre joint.
Unit shown for illustration
purposes only.

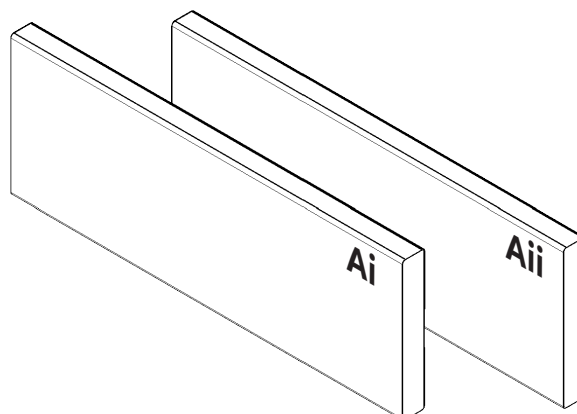
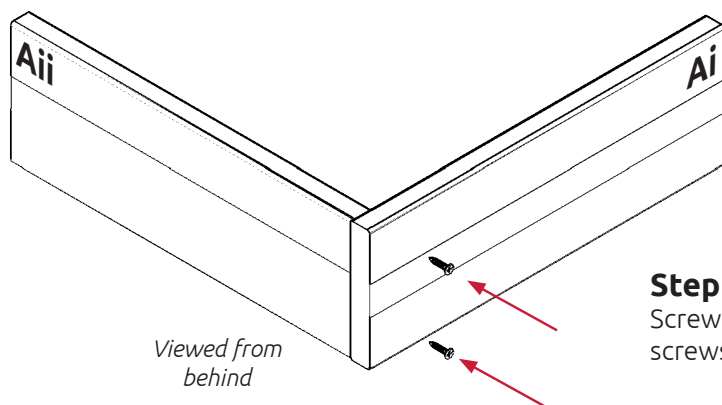


Step 55.

Take measurements from the outside face of the units to the adjacent corner points (as per illustration on the left). The front face of part A must be flush with the front face of the doors

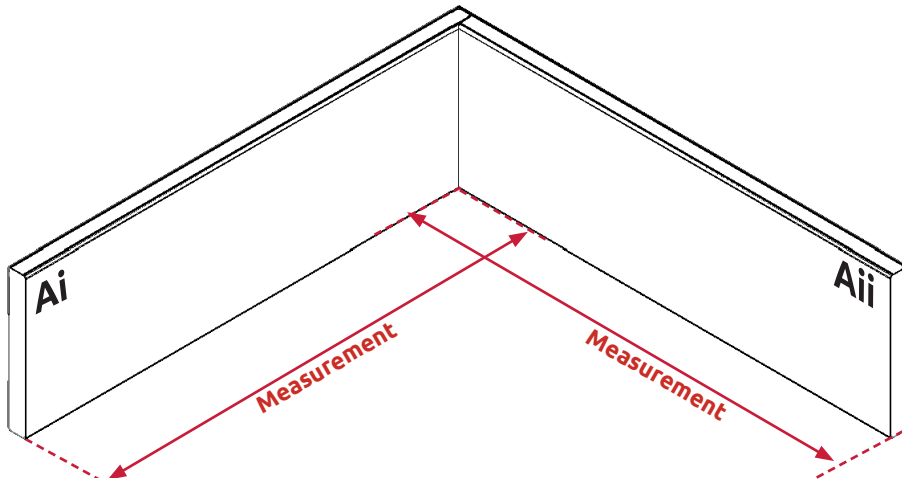
Step 56.

Cut parts A to size



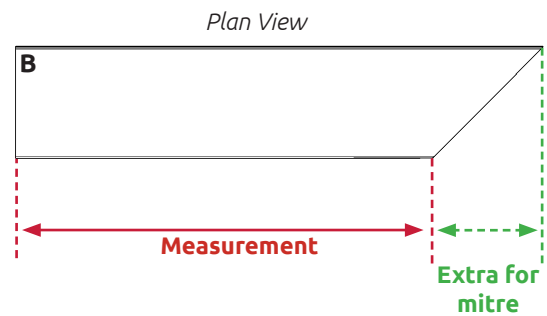
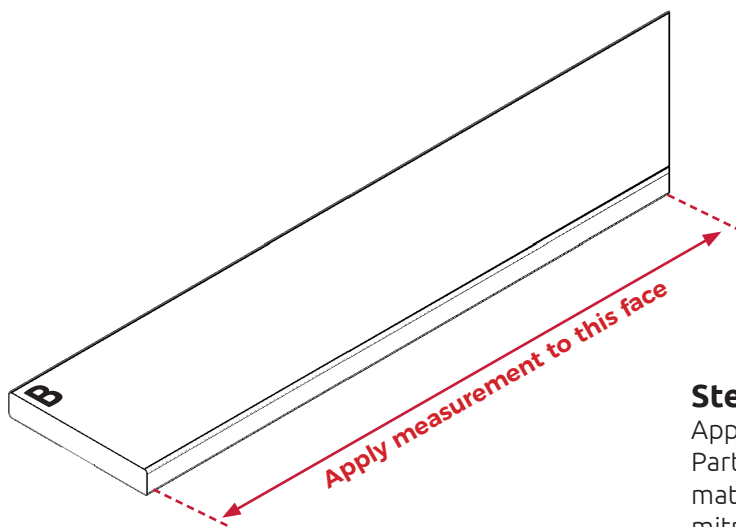
Step 57.

Screw through the inside face of part Ai into Aii using 30mm screws fixing both parts together.



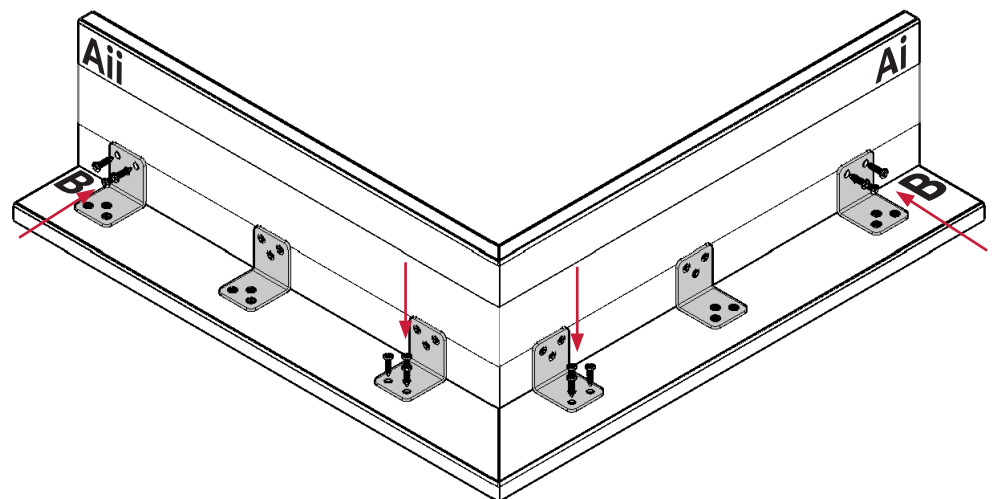
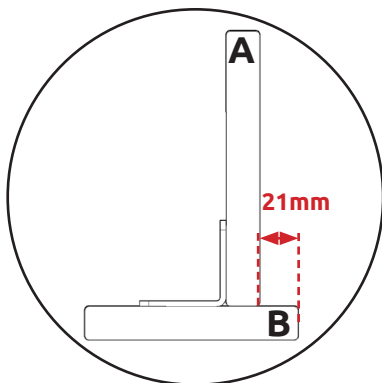
Step 58.

Measure the outside face of parts A as per the illustration above.



Step 59.

Apply measurement to the front face of part B and cut to size. Part B should be mitred at a 45° angle, make sure to add extra material to the measurement in order to achieve the required mitre joint (see illustration above).



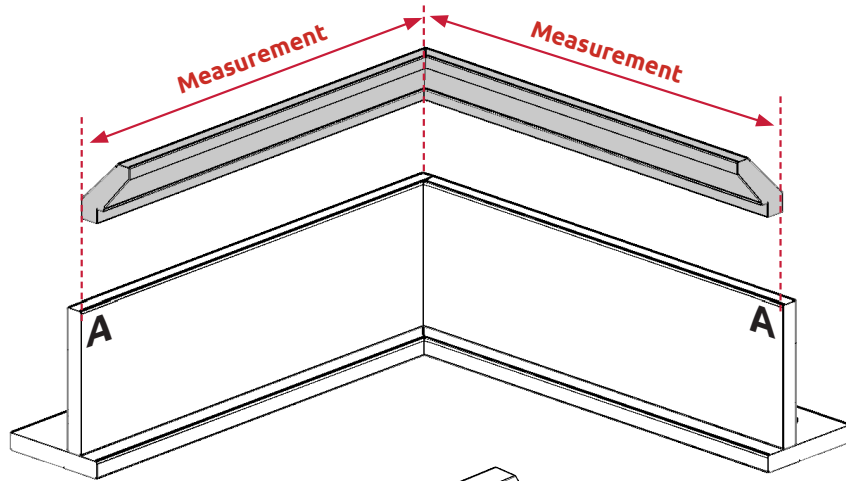
Viewed from behind

Step 60.

Fix together parts A and B using 'L' brackets. Fix each 'L' Bracket into place using 15mm screws. Make sure there is a 21mm gap between the front faces of parts A and B.

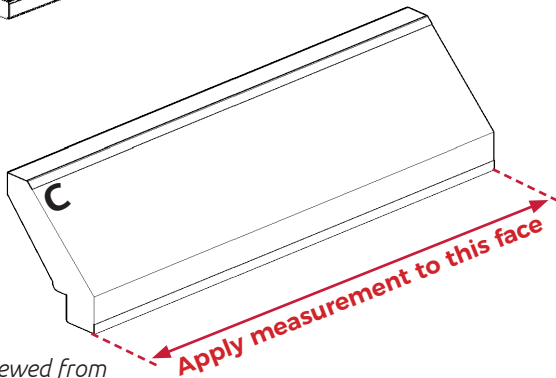
ACCESSORIES

Stacked Traditional / Classic Cornice Fitting Guide

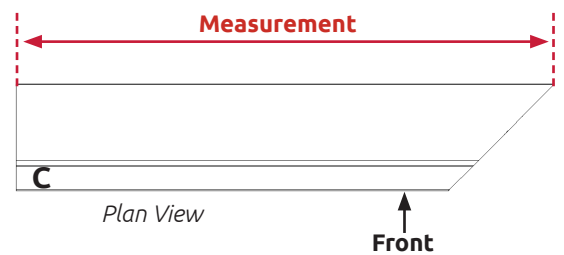


Step 61.

Measure the outside face of part A.

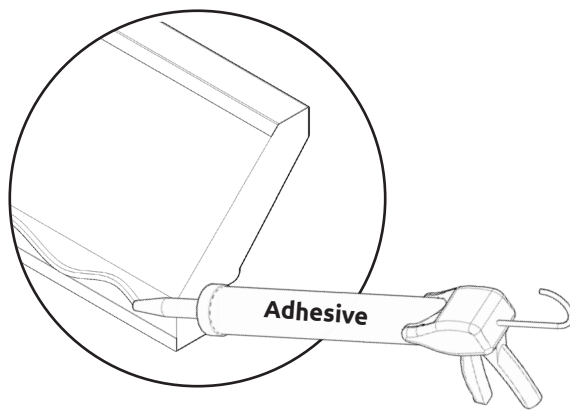


Viewed from behind



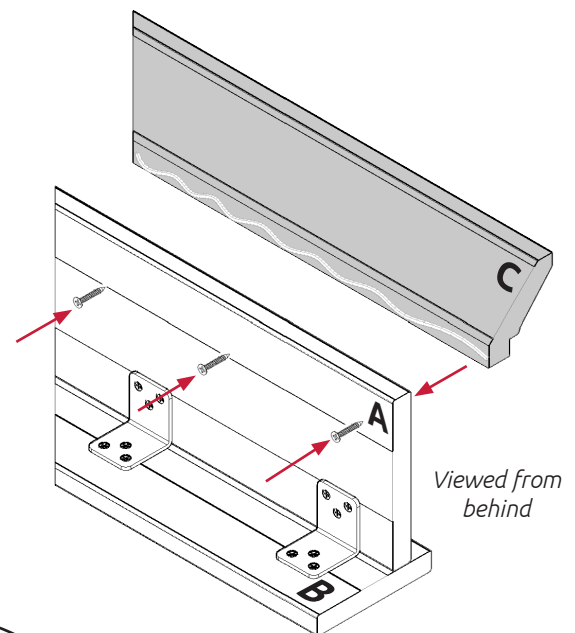
Step 62.

Apply measurements to the inside face of part C and cut to size. Part C should be mitred at a 45° angle.

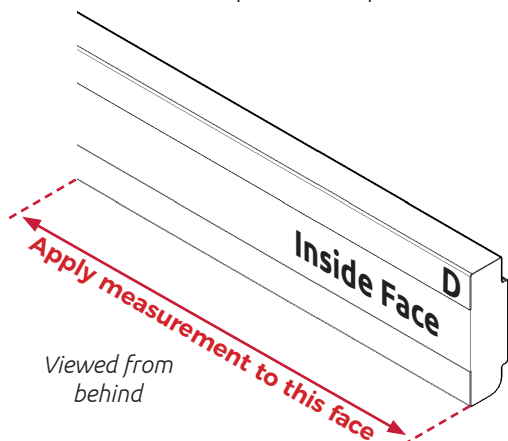


Step 63.

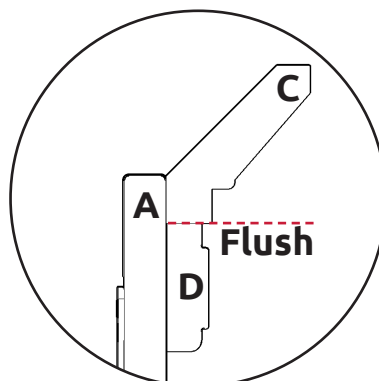
Apply adhesive to the back face of part C. Fix part C into position using 30mm screws.



Viewed from behind



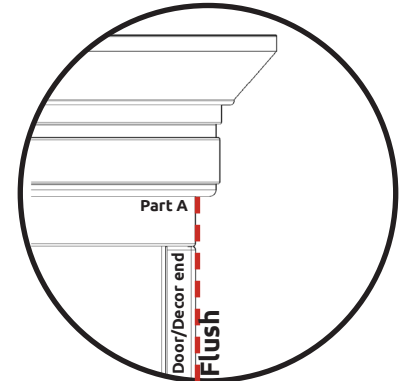
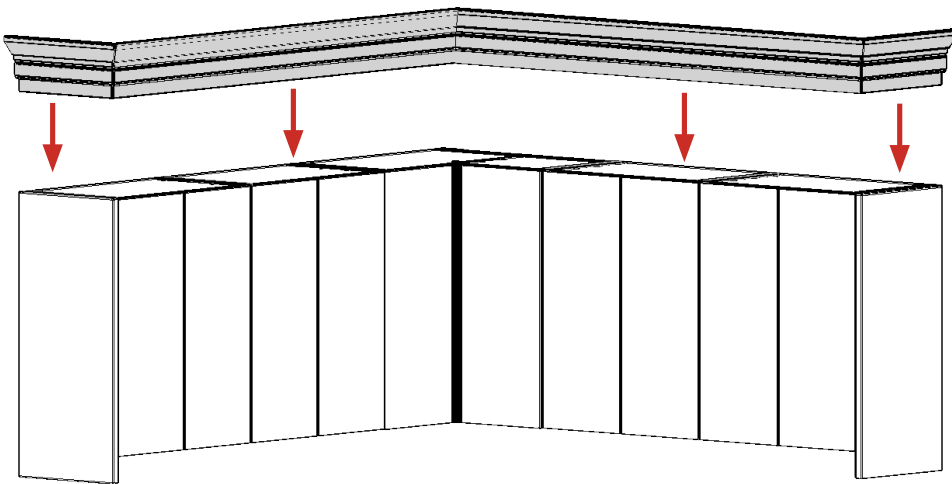
Viewed from behind



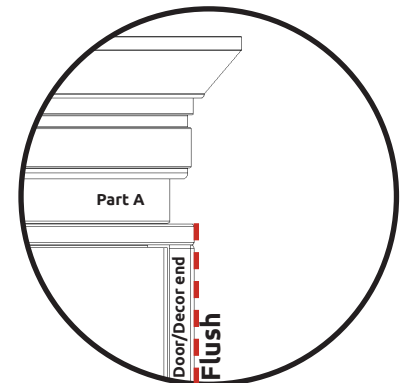
Step 64.

If using the classic cornice moulding repeat steps 61-63. Make sure the top face of part D is touching the bottom face of part C.

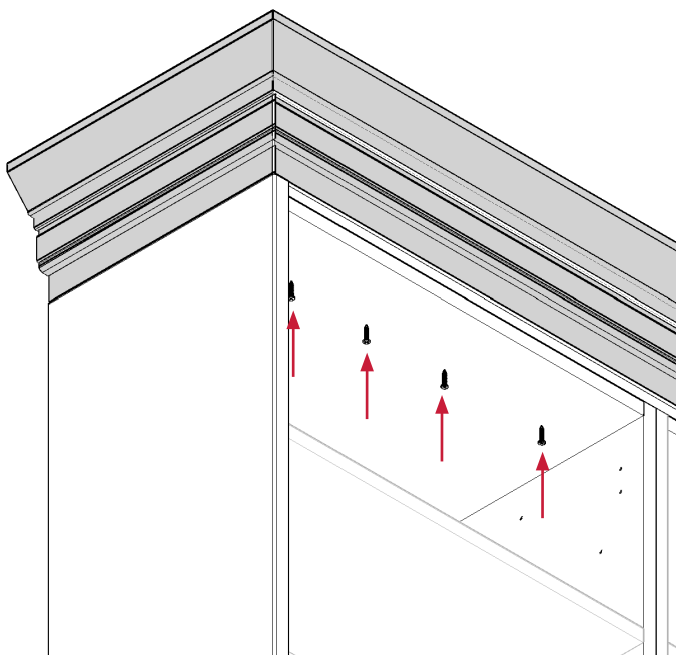
Final Fit



Stacked Traditional / Classic Cornice



Stepped Traditional / Classic Cornice

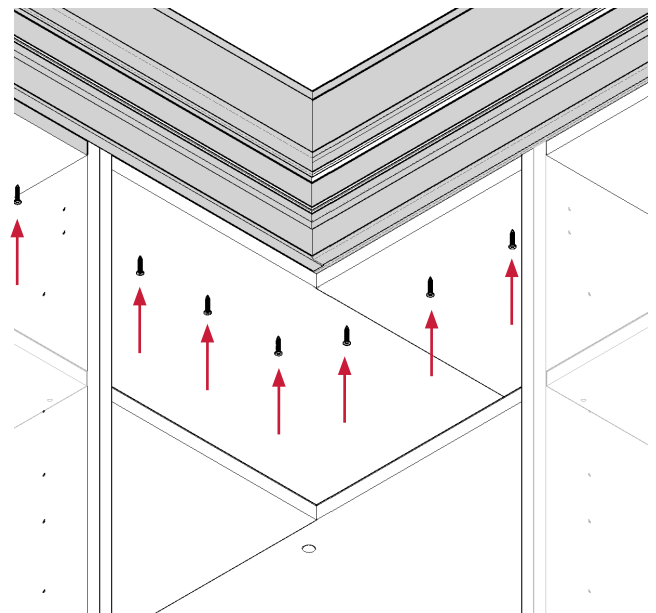


Step 66.

Secure the stacked cornice in place by screwing up through the unit top fixed shelves into part B using 30mm screws. Conceal the screw heads using the screw caps provided.

Step 65.

Lift the assembled stacked cornice onto the top of the wall units making sure the outside face of Part A is flush with the decor end/doors. **Please note this step should be carried out by a minimum of two people.**



wren
KITCHENS