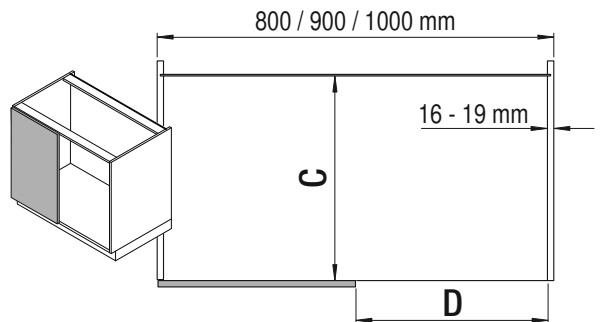
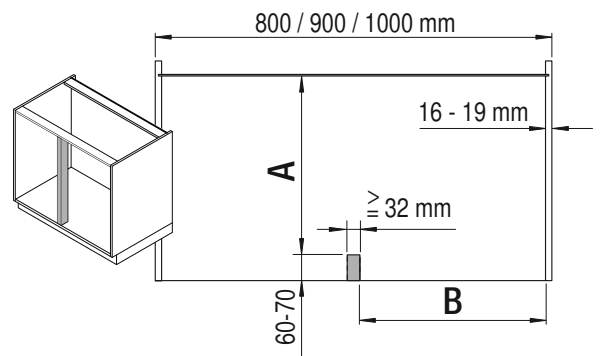
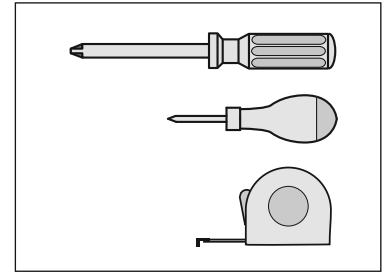
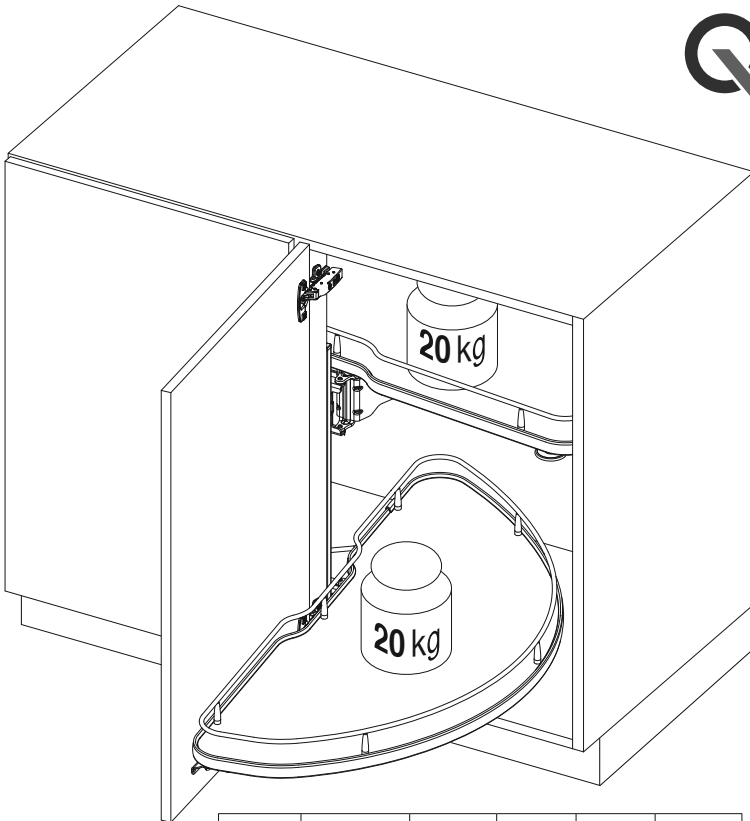


10 / 2017



VS CORNERSTONE R



T	K	A	B	C	D
T400	800	≥ 425	≥ 362	≥ 485	≥ 381
T450	900	≥ 425	≥ 412	≥ 485	≥ 431
T500	1000	≥ 425	≥ 462	≥ 485	≥ 481
T600	min. 1000	≥ 425	≥ 562	≥ 485	≥ 581

e
(4 x) 4 x 40 mm

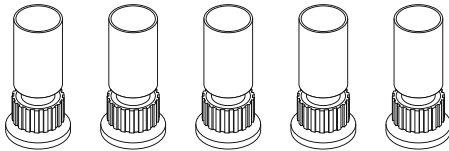
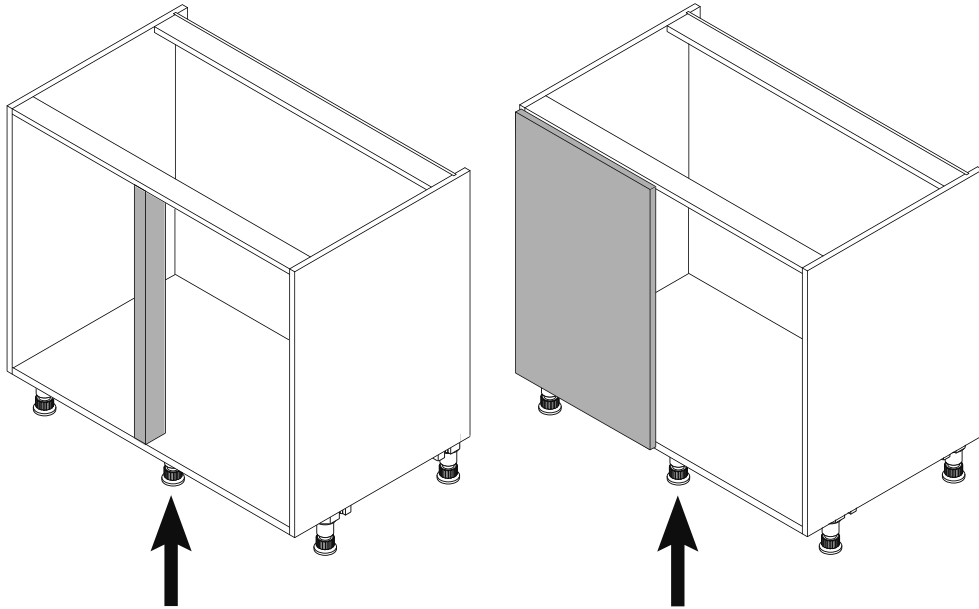
d
(6 x) 4 x 16 mm

a

b
(4 x) M4 x 20 mm

c

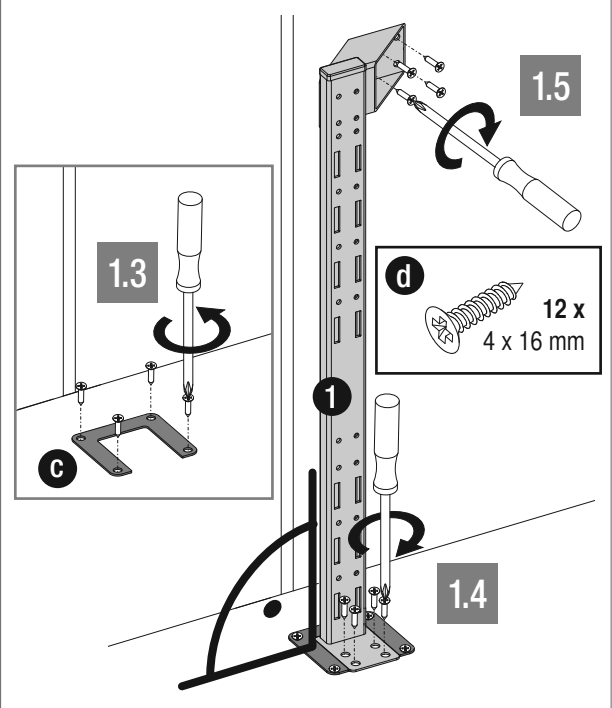
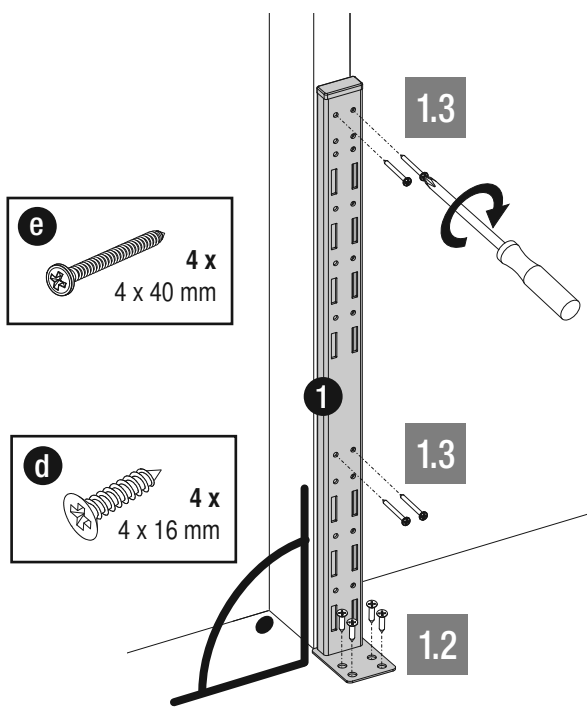
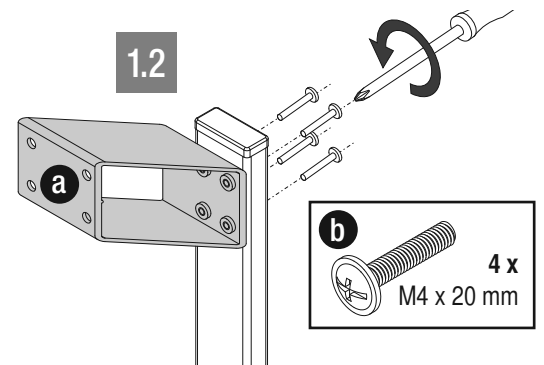
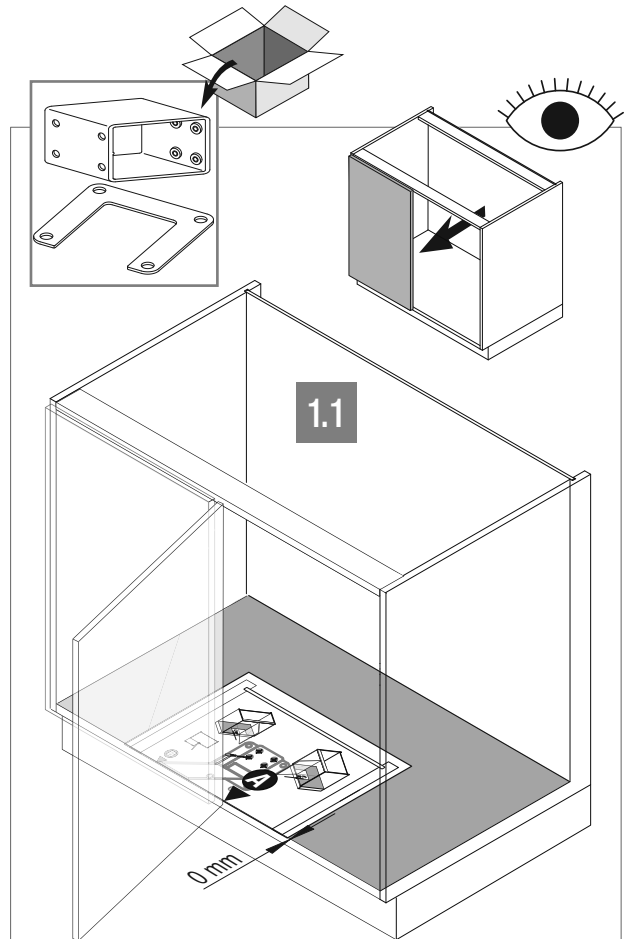
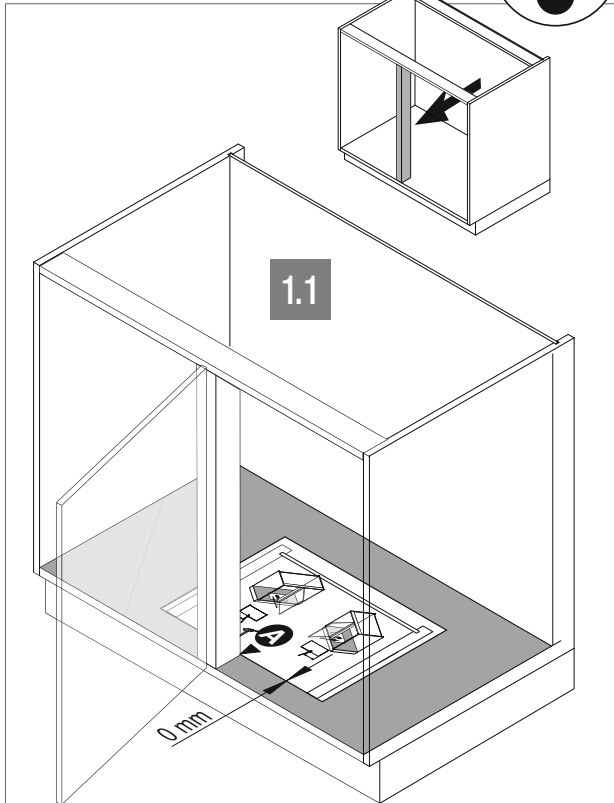
d
(8 x) 4 x 16 mm



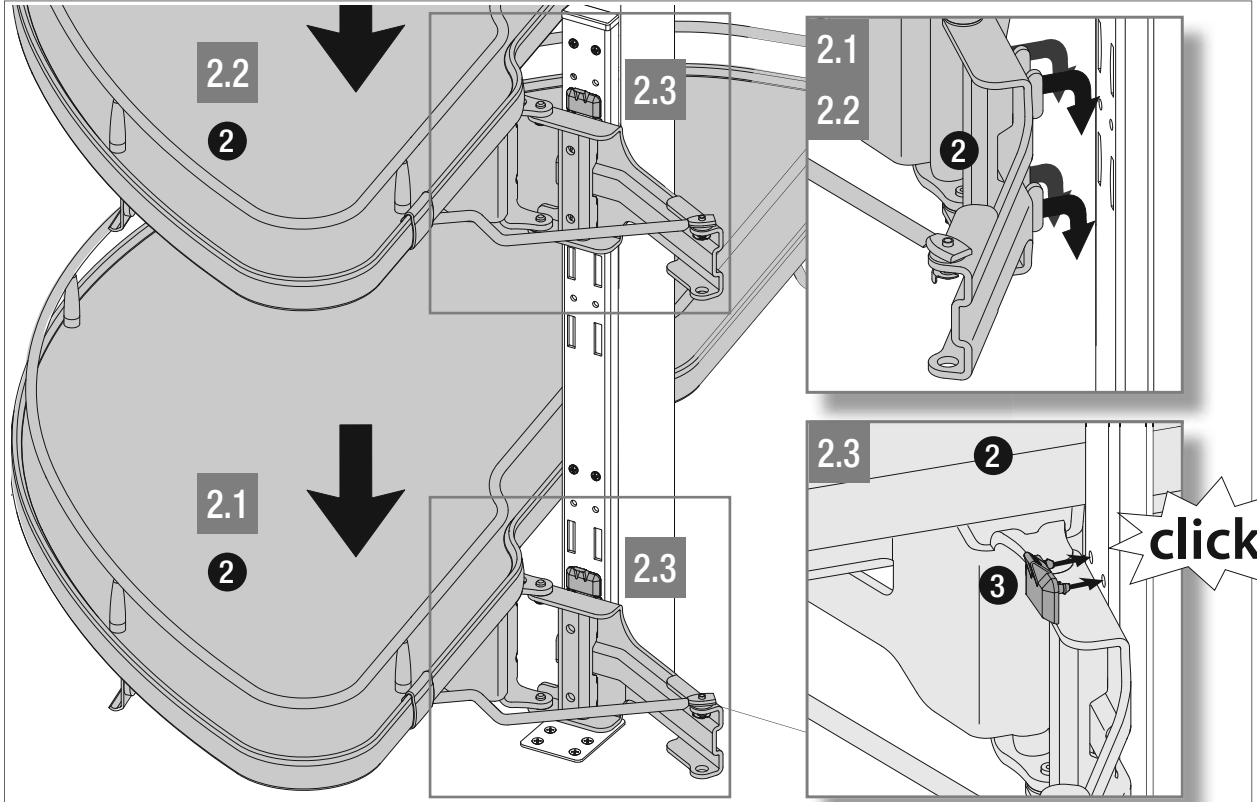
1R



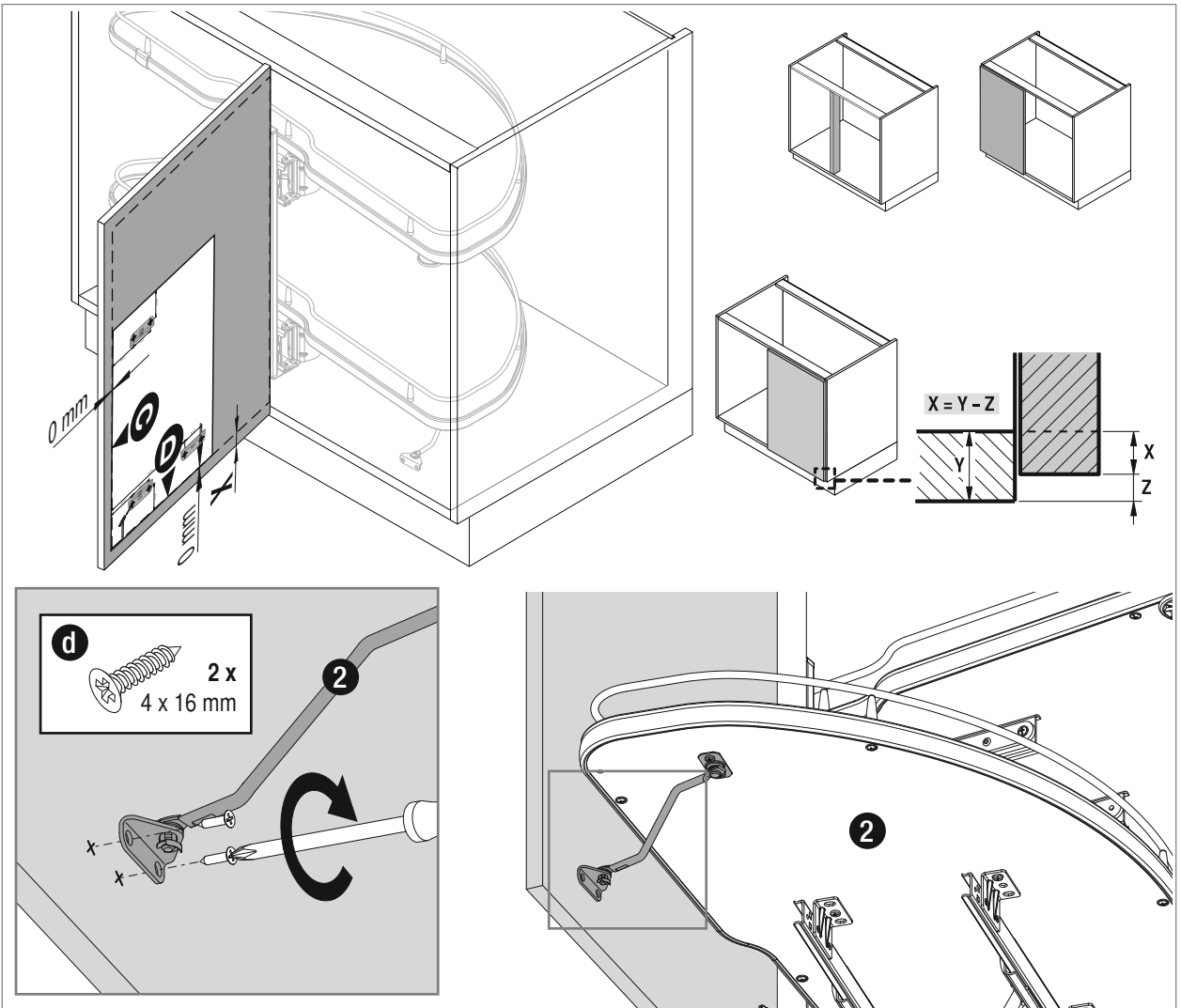
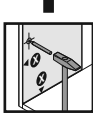
A

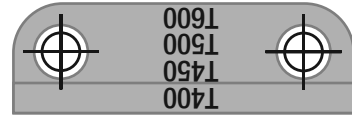


2R



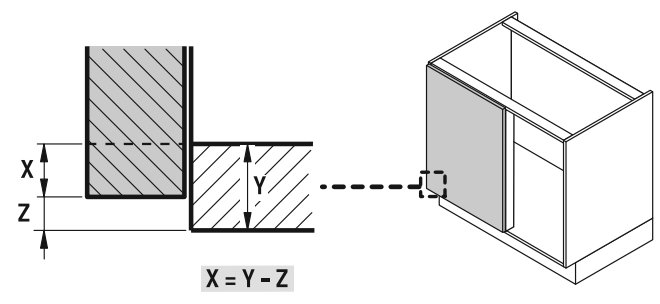
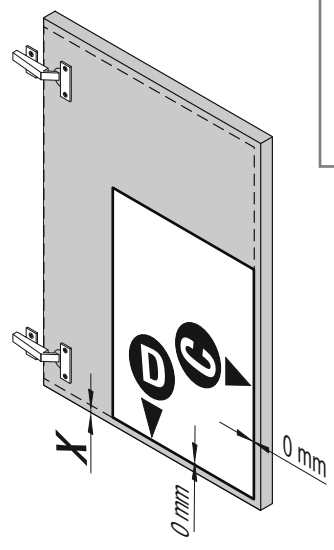
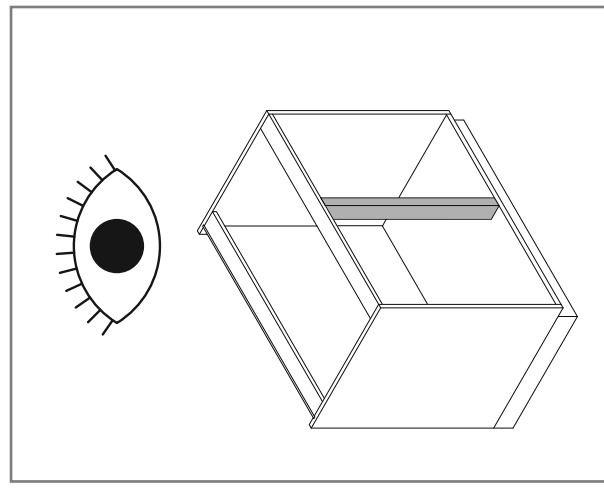
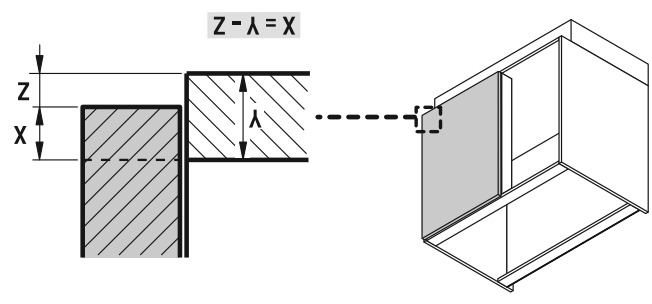
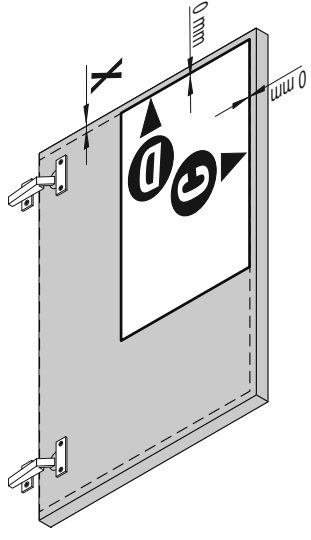
3R



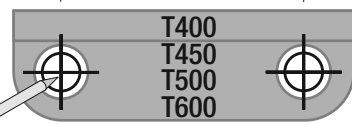


32 mm 62 mm

32 mm

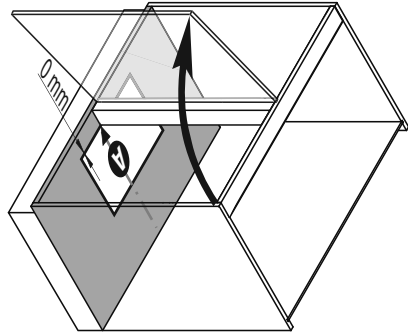
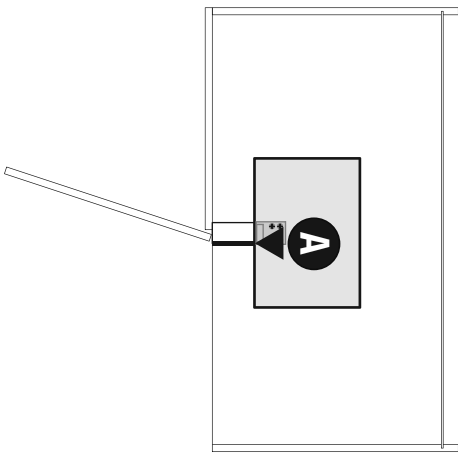
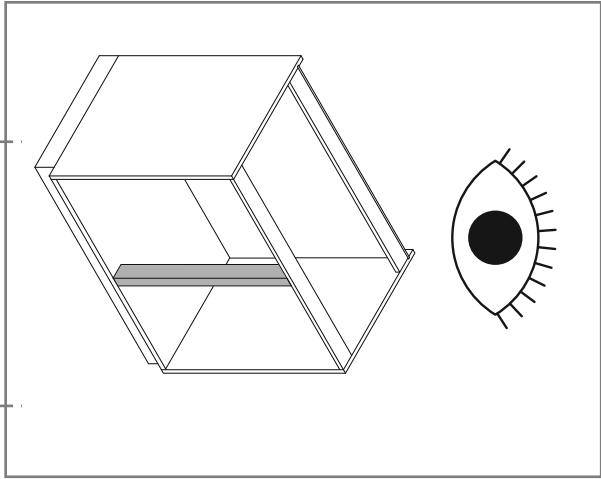
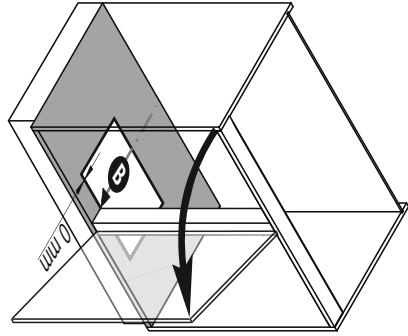
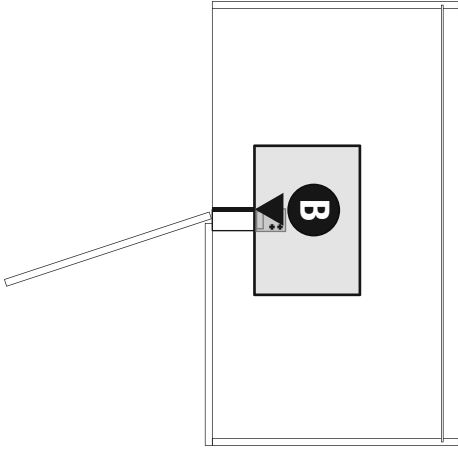
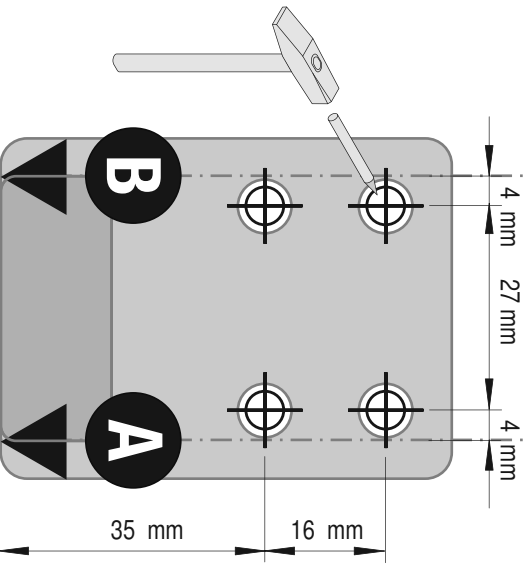


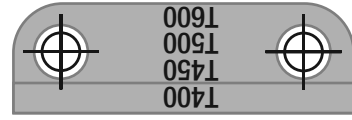
32 mm 62 mm



32 mm



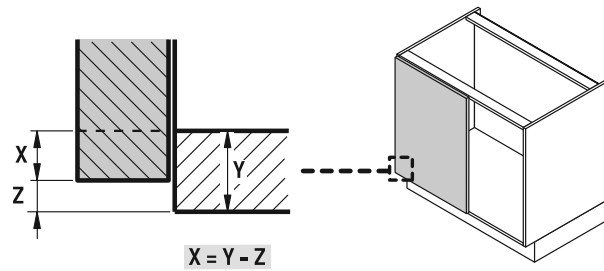
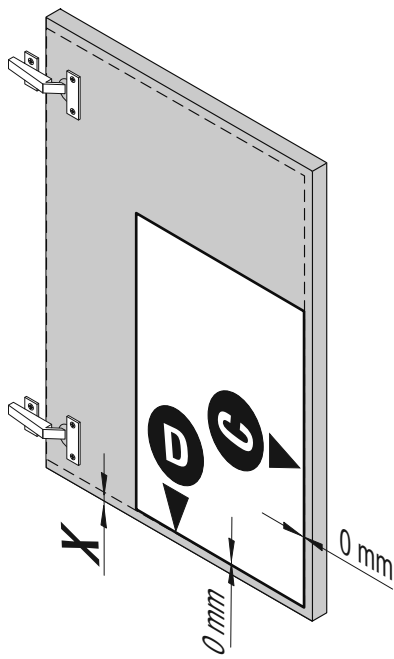
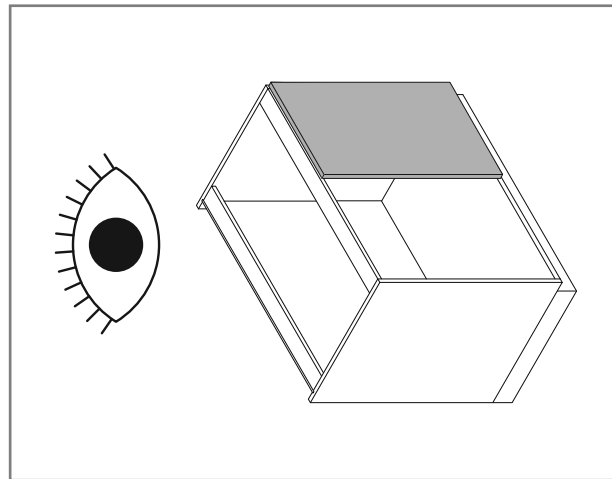
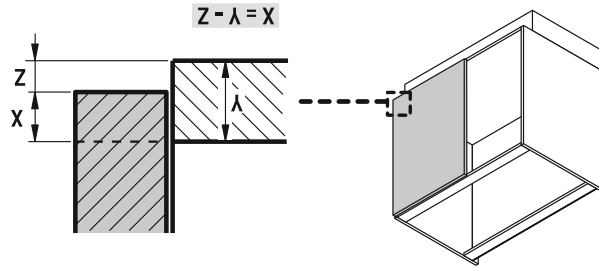
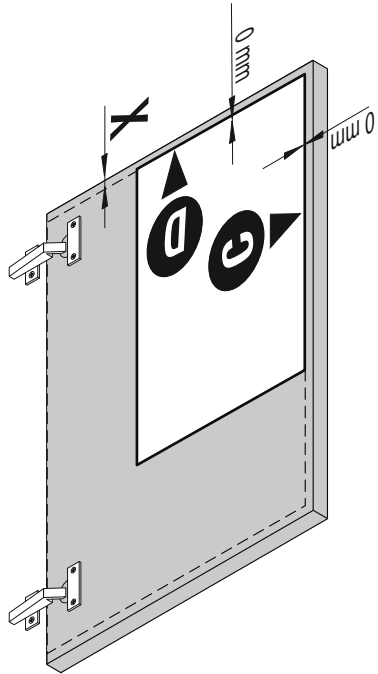




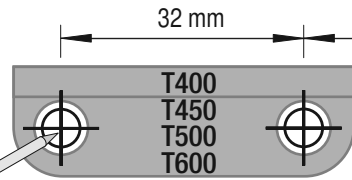
32 mm

32 mm

62 mm



$$X = Y - Z$$

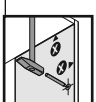
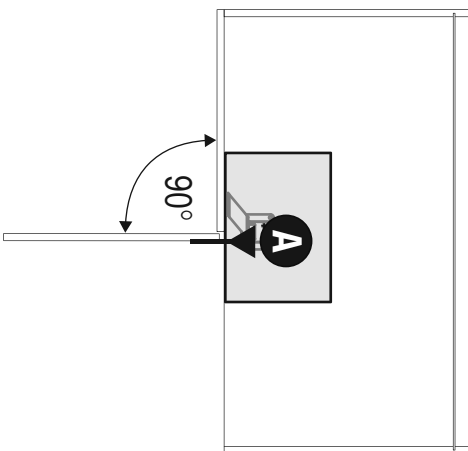
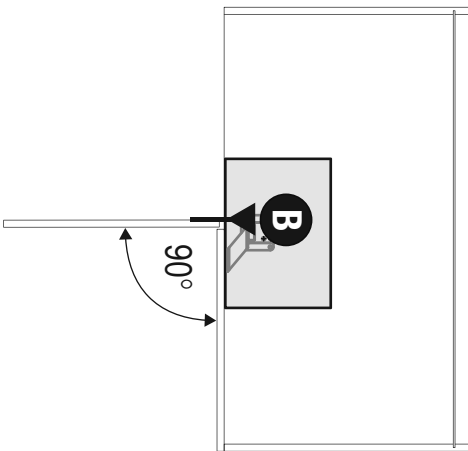
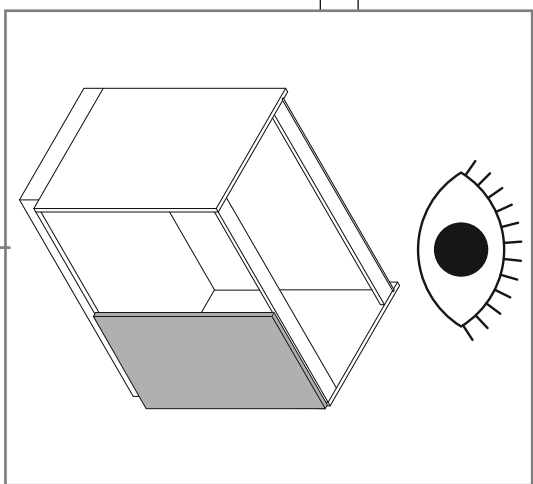
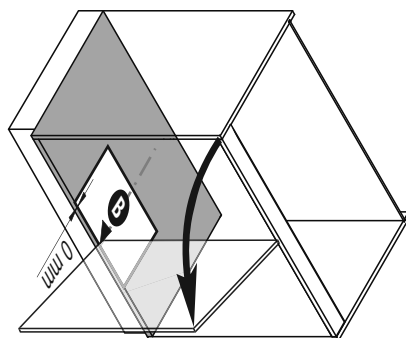
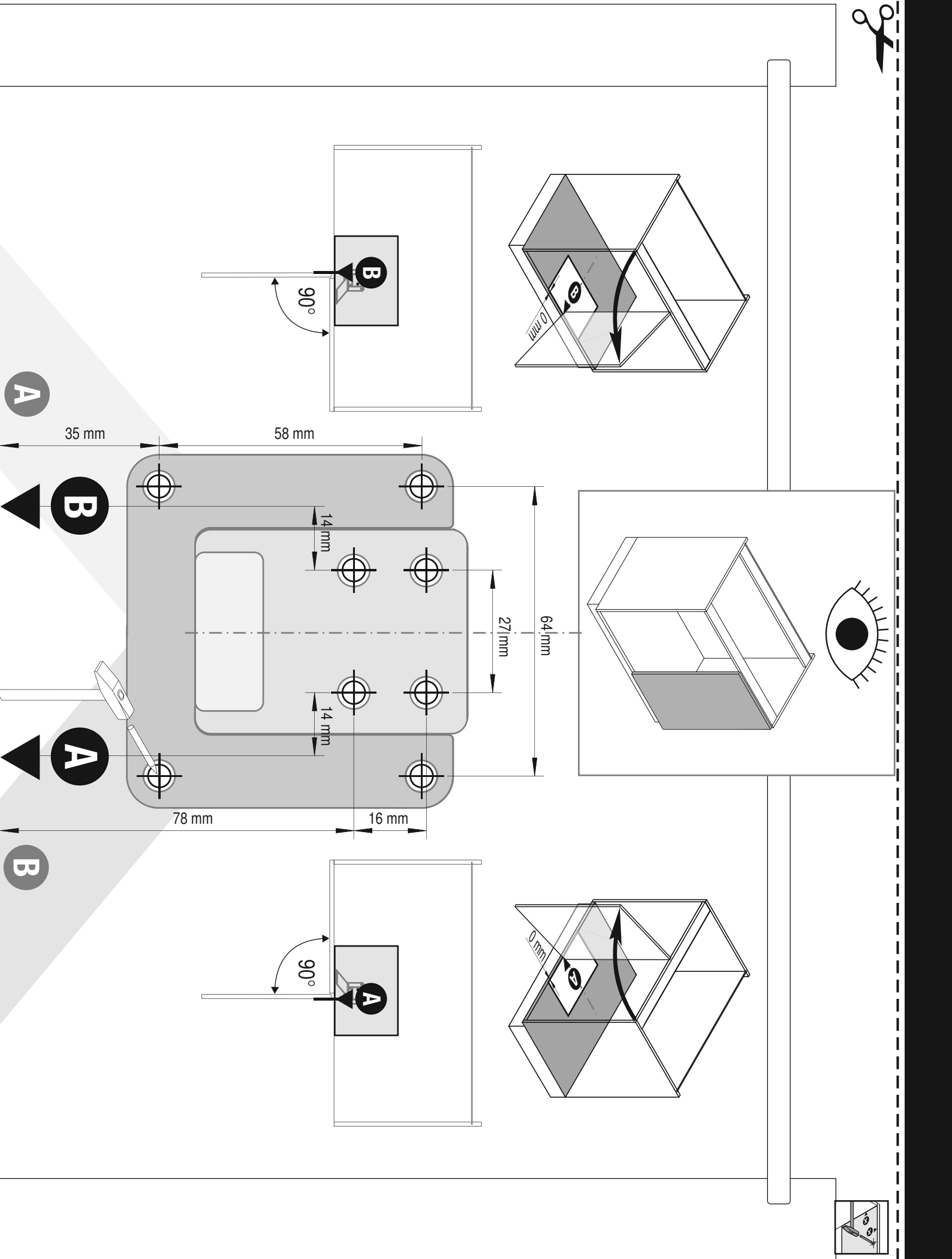


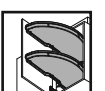
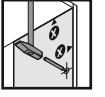
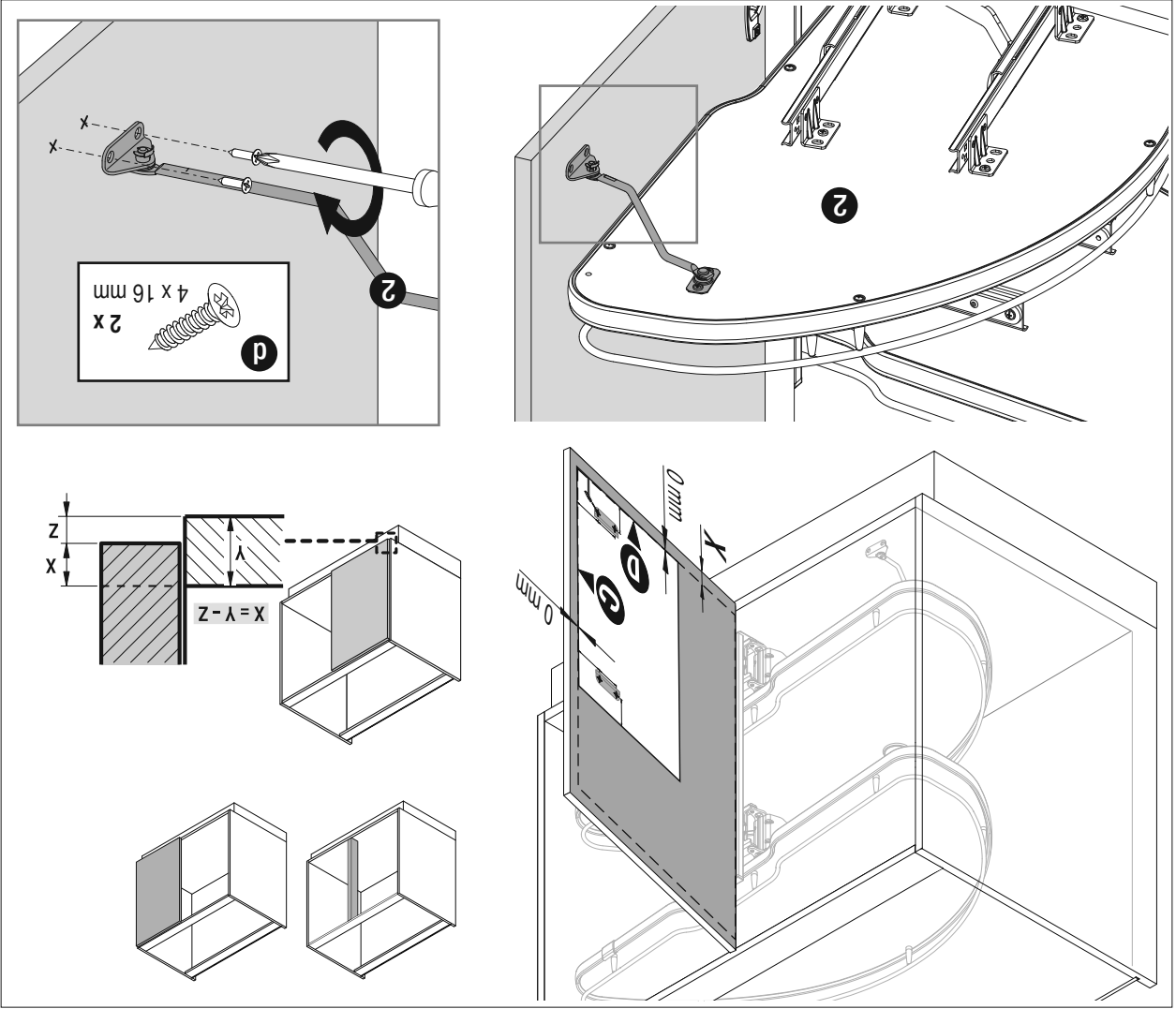
32 mm

32 mm

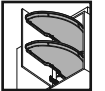
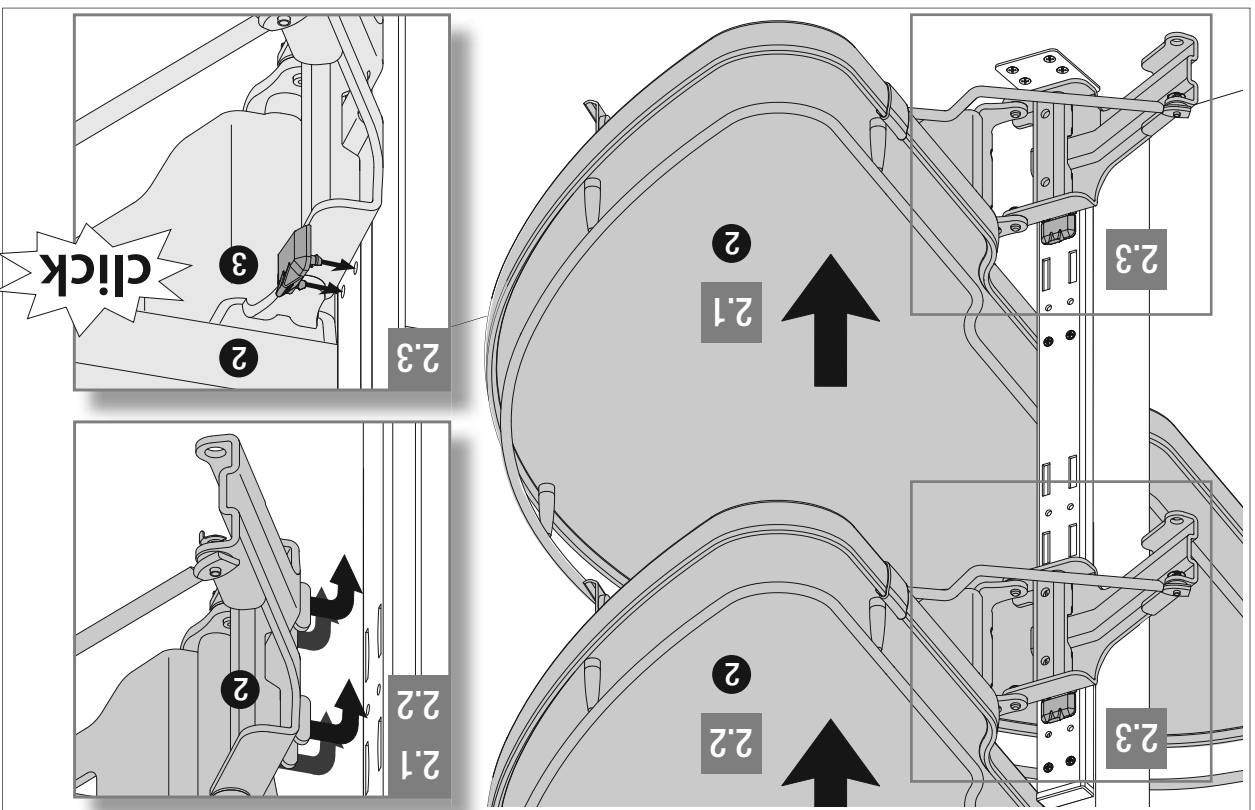
62 mm



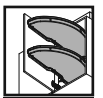
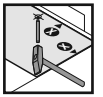
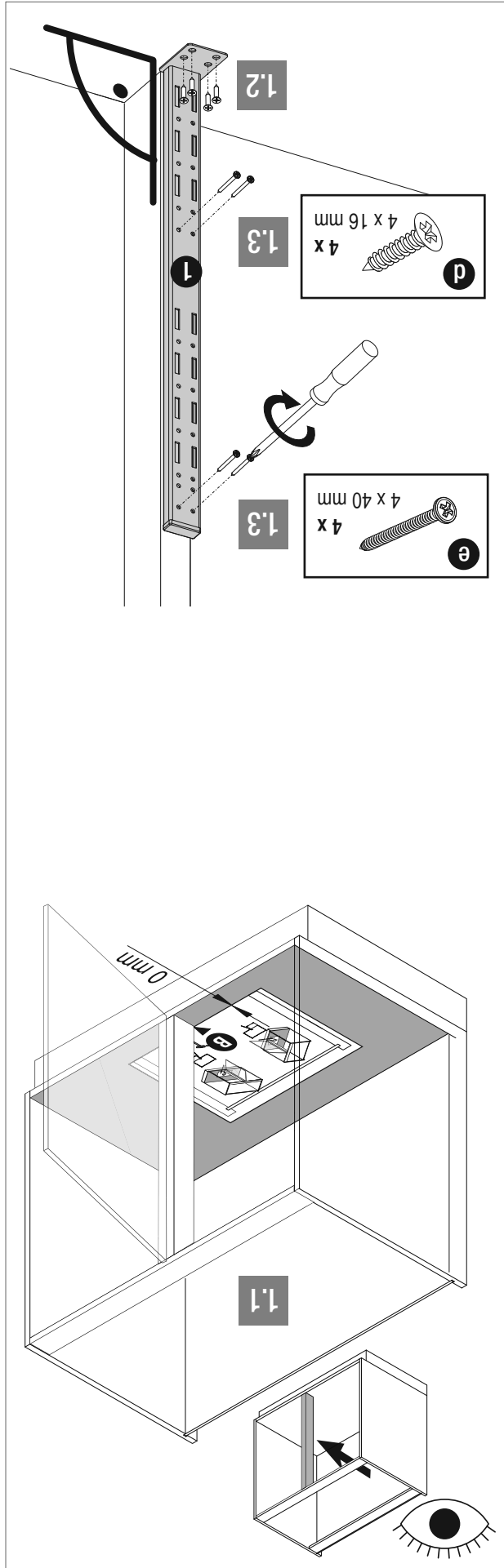
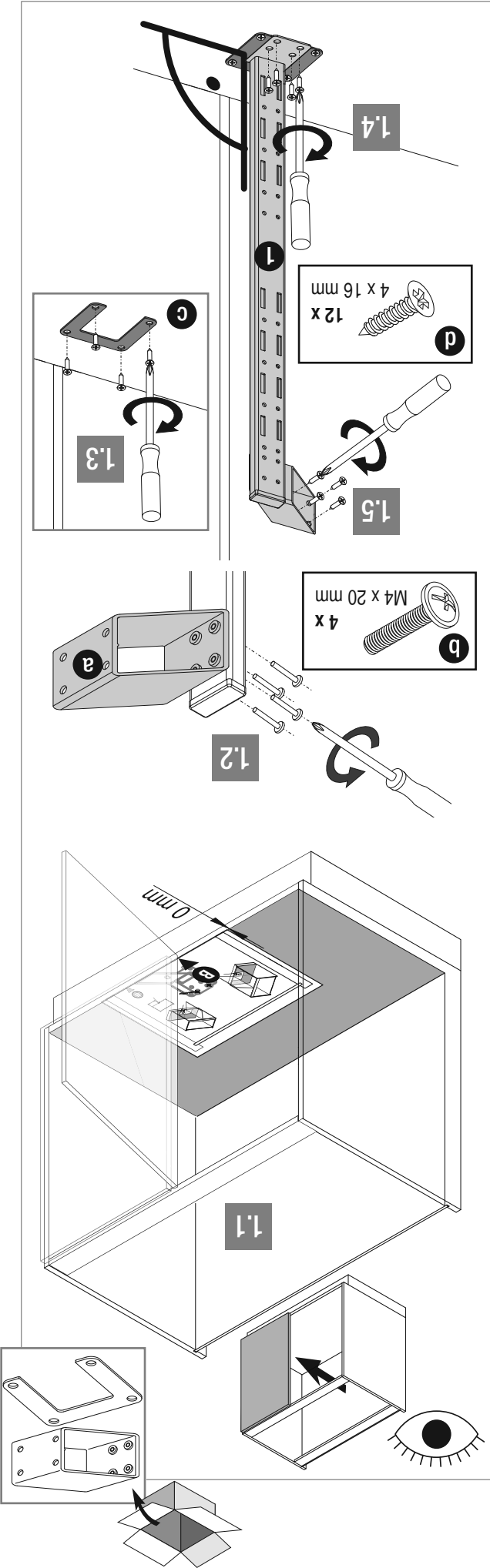


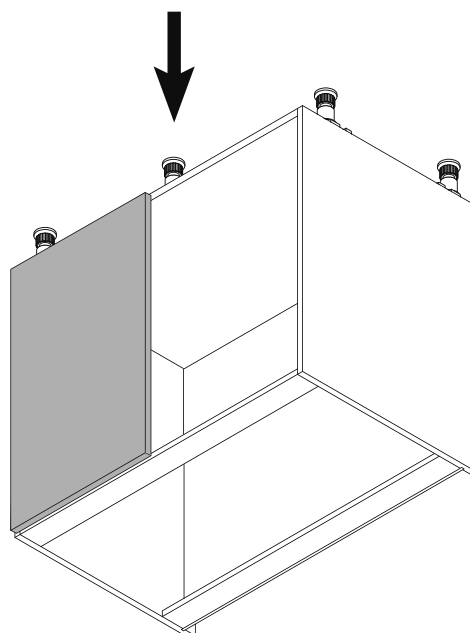
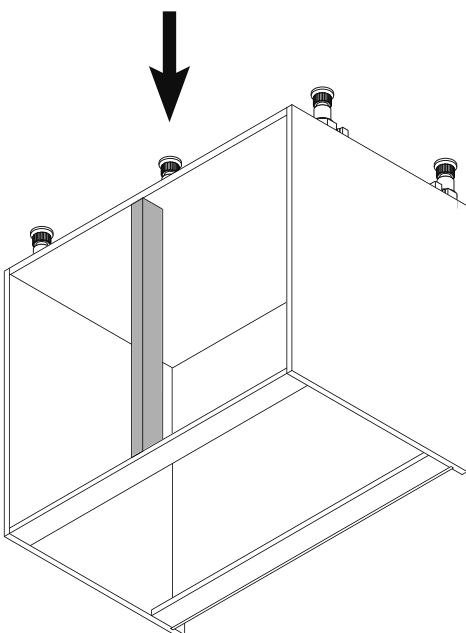
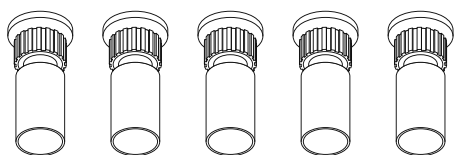


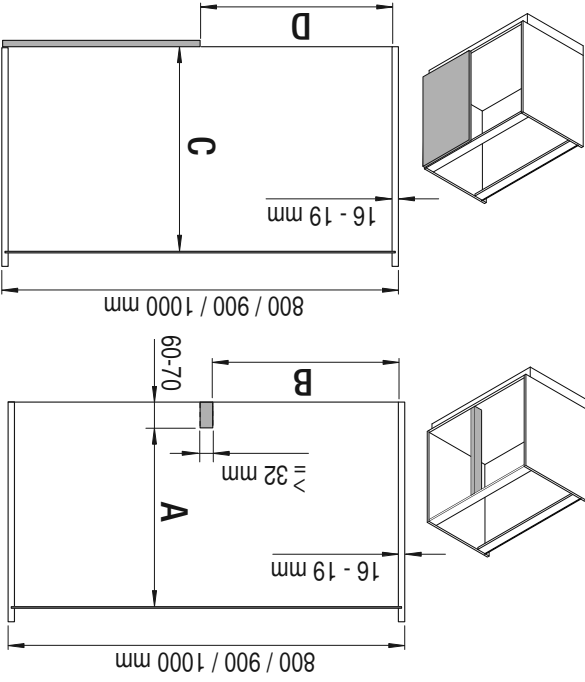
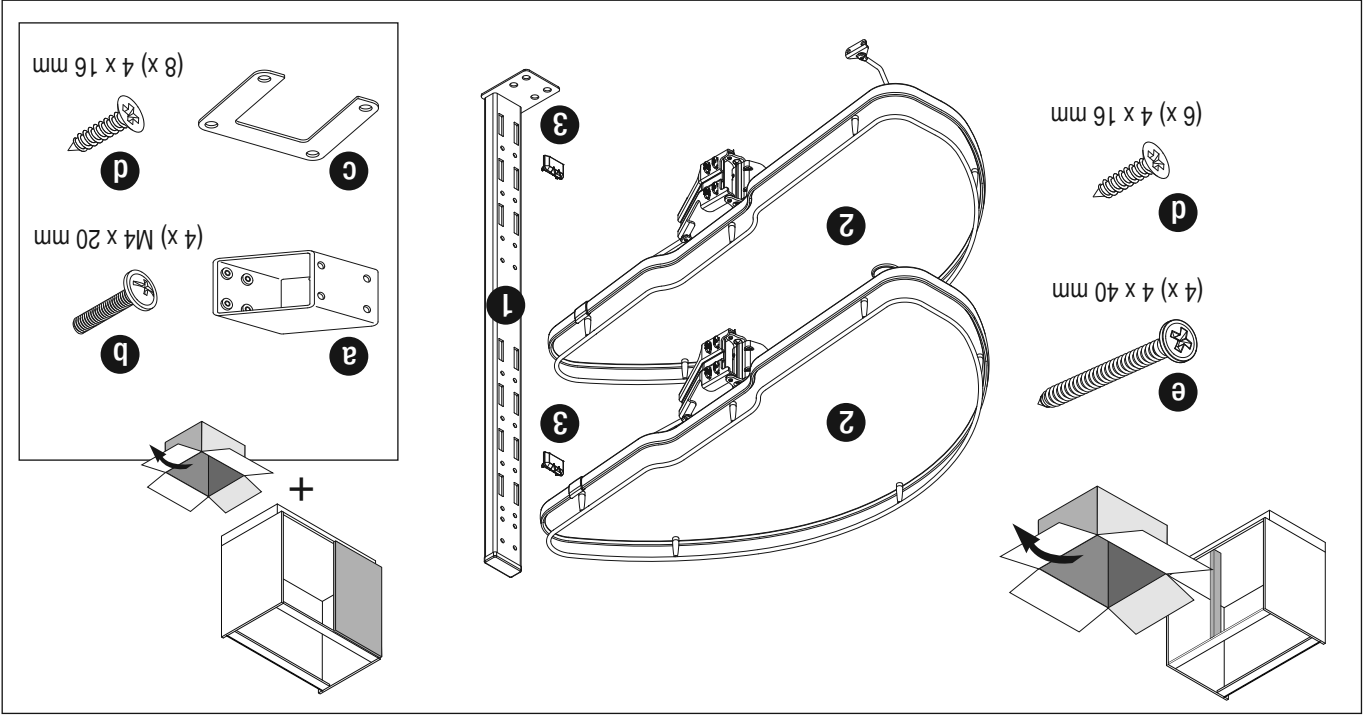
37



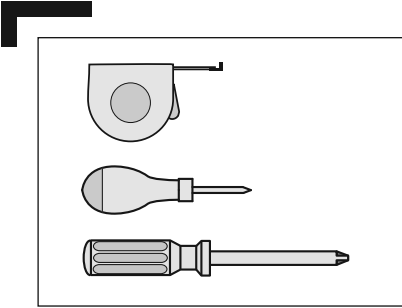
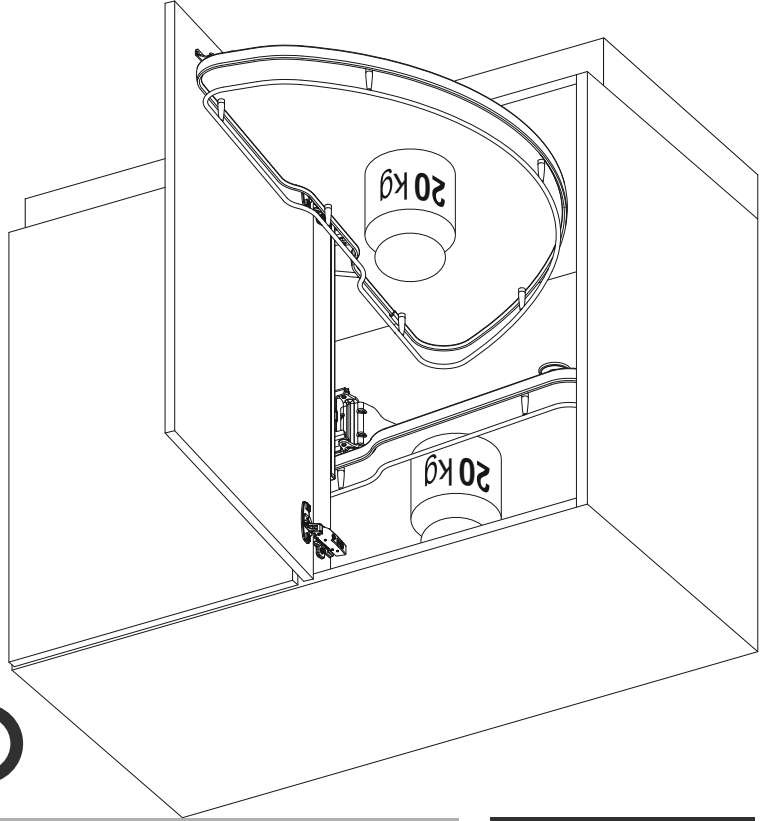
27







T	K	A	B	C	D
1600	min. 1000	≥ 425	≥ 562	≥ 485	≥ 581
1500	1000	≥ 425	≥ 462	≥ 485	≥ 481
1450	900	≥ 425	≥ 412	≥ 485	≥ 431
1400	800	≥ 425	≥ 362	≥ 485	≥ 381



VAUTH SAGEL
MADE IN GERMANY

VS CORNERSTONE 7

