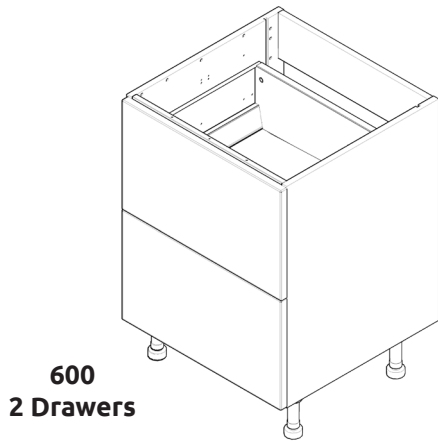


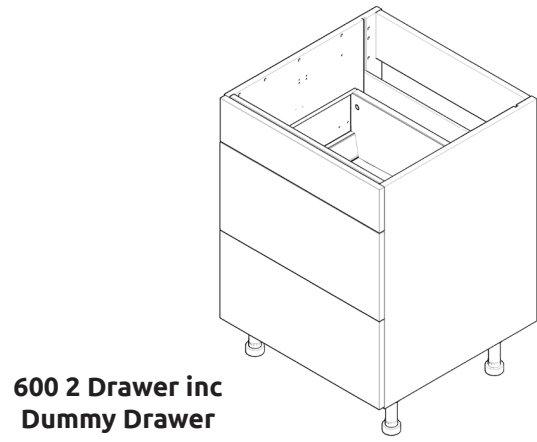
Vogue

# BASE UNIT

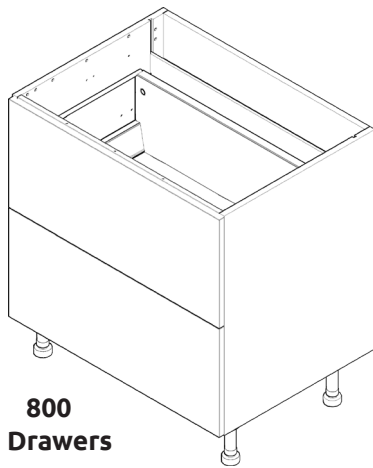
Hob 2 Drw, 3 Drw & 2 Drw inc Dummy Assembly Guide



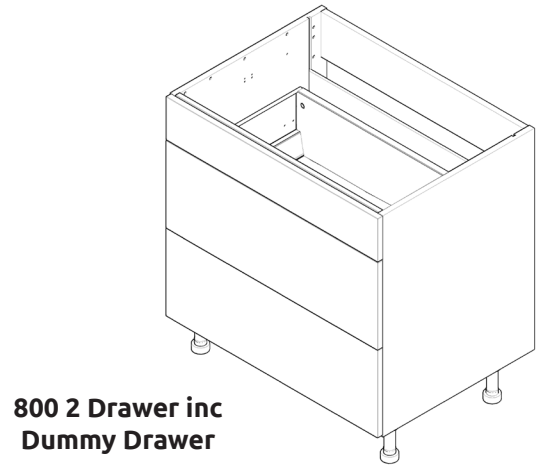
**600  
2 Drawers**



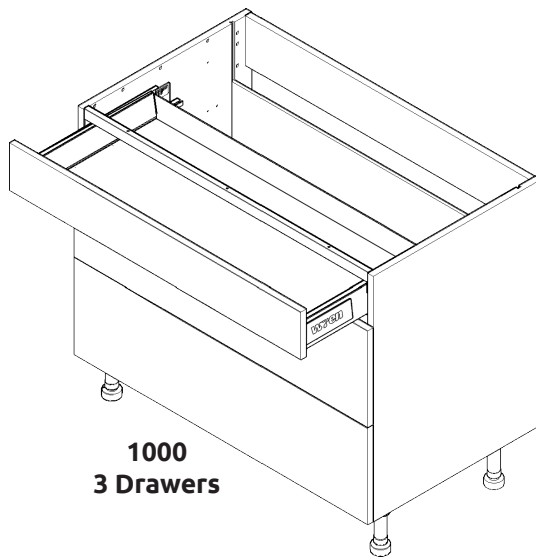
**600 2 Drawer inc  
Dummy Drawer**



**800  
2 Drawers**



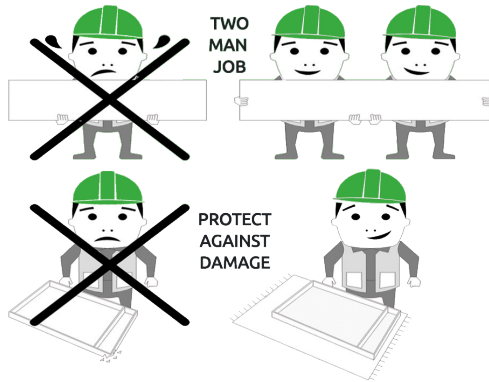
**800 2 Drawer inc  
Dummy Drawer**



**1000  
3 Drawers**

# BASE UNIT

## Hob 2 Drw, 3 Drw & 2 Drw inc Dummy Assembly Guide



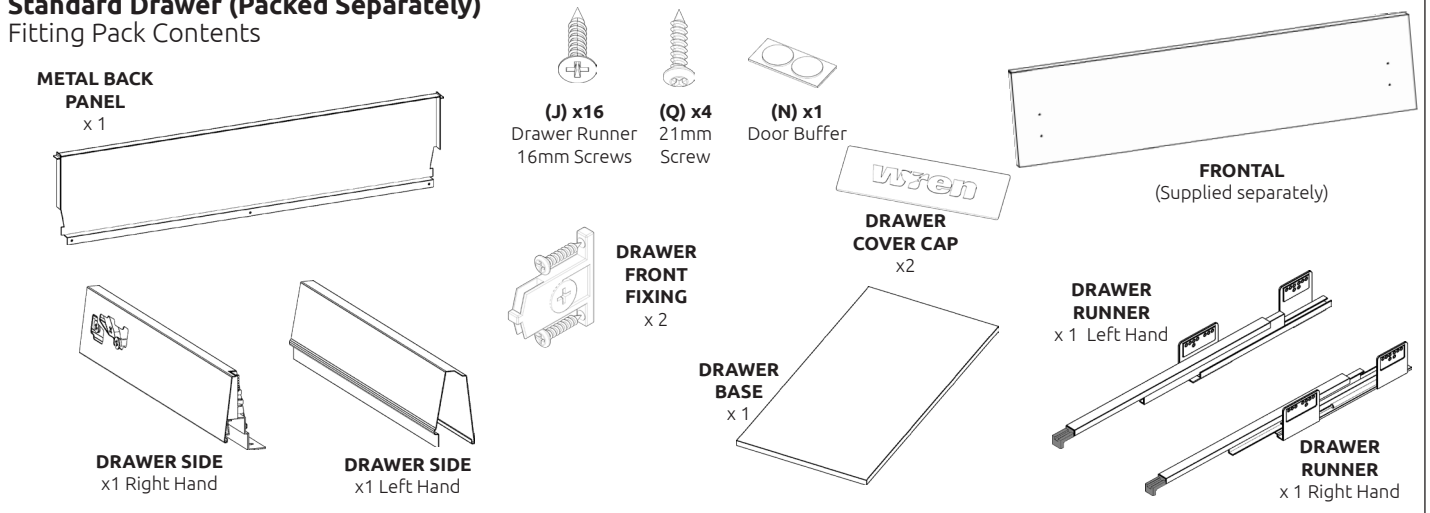
**BEFORE YOU START**

INSTALLATION SHOULD BE PERFORMED BY A COMPETENT PERSON ONLY.

THIS PRODUCT COULD BE DANGEROUS IF INCORRECTLY INSTALLED

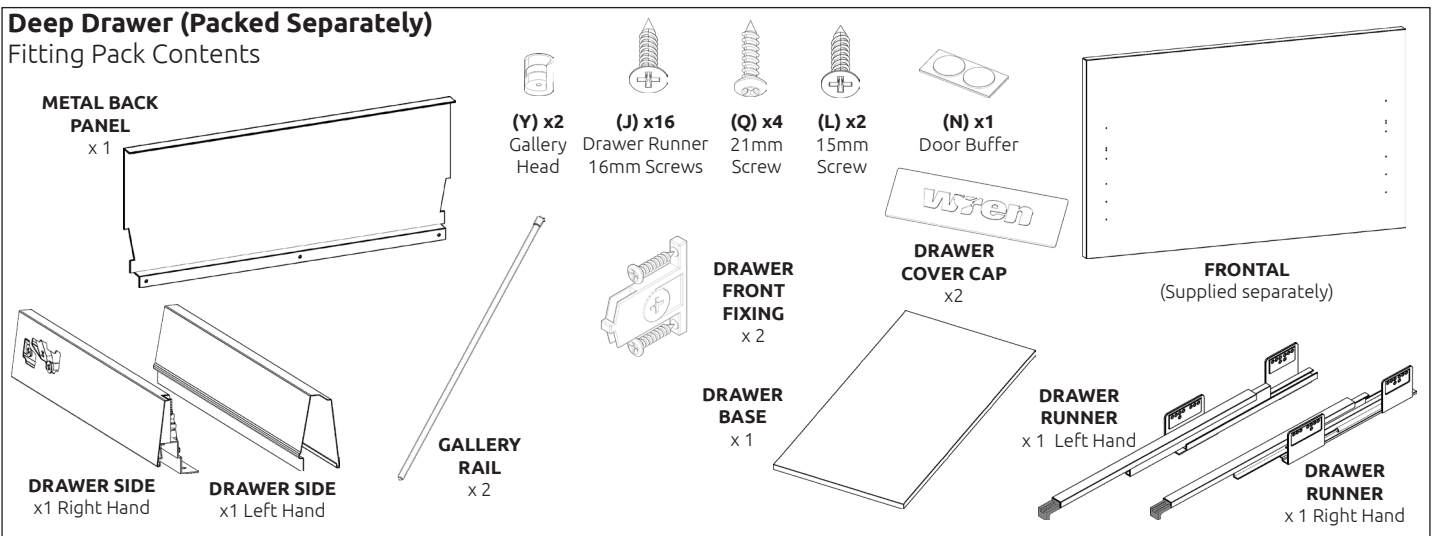
### Standard Drawer (Packed Separately)

Fitting Pack Contents

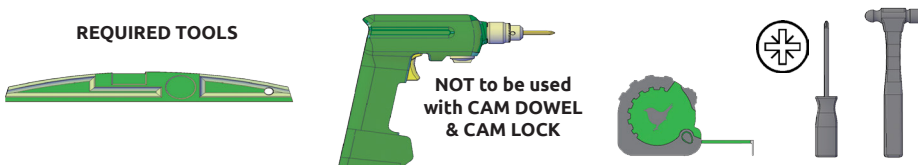


### Deep Drawer (Packed Separately)

Fitting Pack Contents



**REQUIRED TOOLS**



### Step 1.

Secure drawer base to drawer side using 4 x 16mm drawer runner screws (**J**) in holes provided.

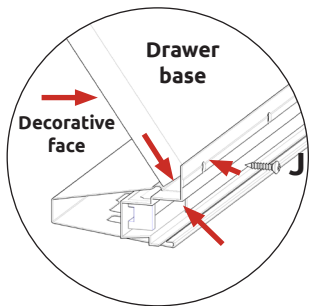
Seat the edge of drawer base tight into corner of casing, as shown.

The decorative face of drawer base to be positioned as shown.

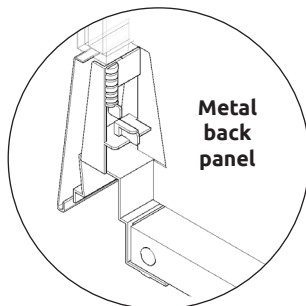
Repeat step 1 so both drawer sides are attached to drawer base.

### Step 2.

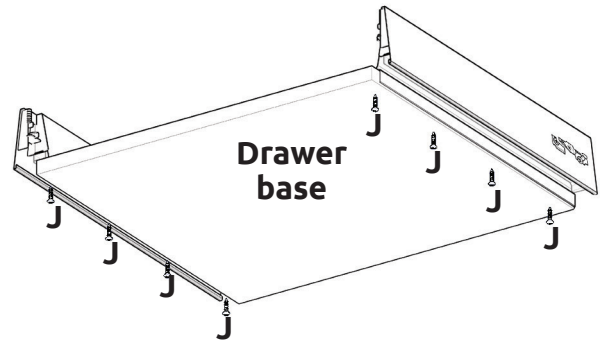
Clip on metal back panel to drawer base & drawer sides.



Front of drawer

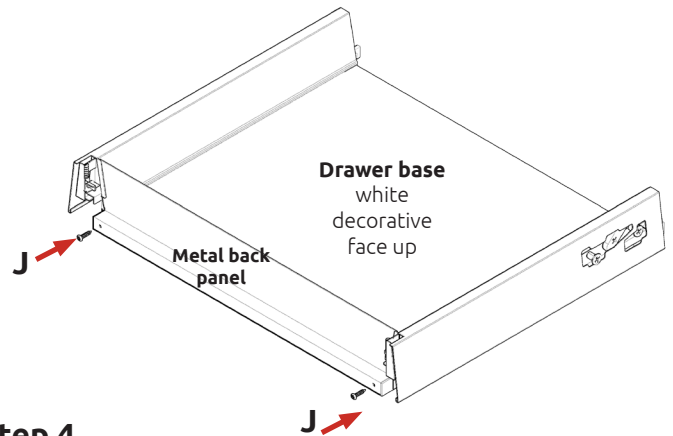


View from back



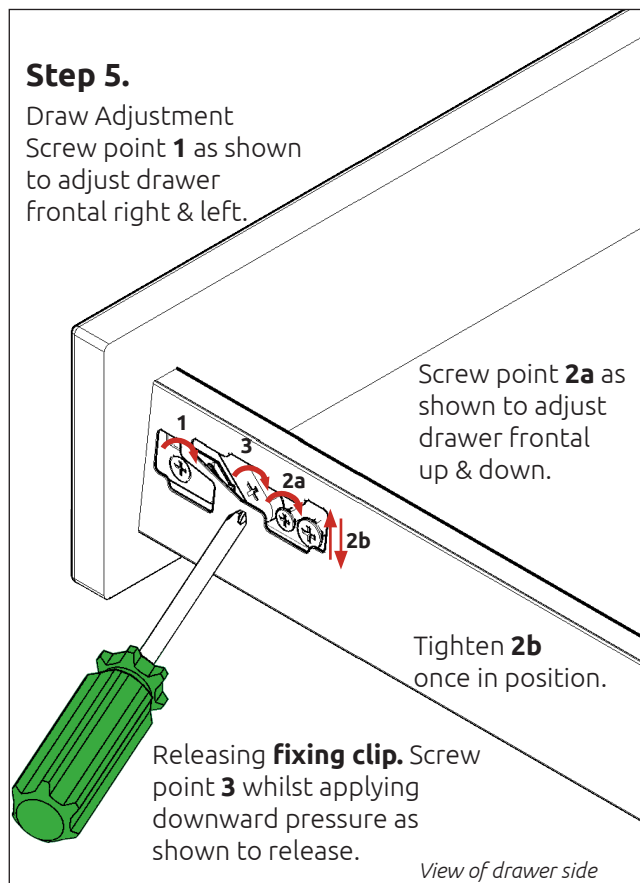
### Step 3.

Screw back panel in position using 2 x 16mm screws (**J**) to drawer base in holes provided.



### Step 5.

Draw Adjustment  
Screw point **1** as shown to adjust drawer frontal right & left.



Screw point **2a** as shown to adjust drawer frontal up & down.

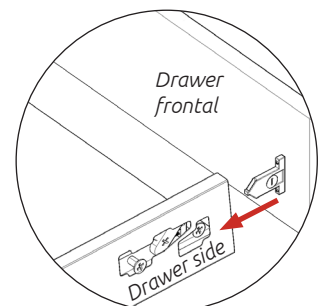
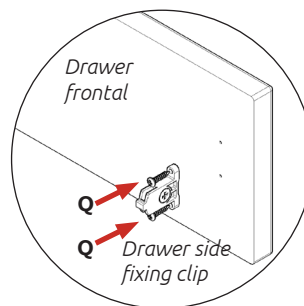
Tighten **2b** once in position.

Releasing **fixing clip**. Screw point **3** whilst applying downward pressure as shown to release.

View of drawer side

### Step 4.

Frontal Attachment  
Secure drawer side fixing clips using 2 x 21mm screws (**Q**) in pilot holes provided as shown.



### Step 6.

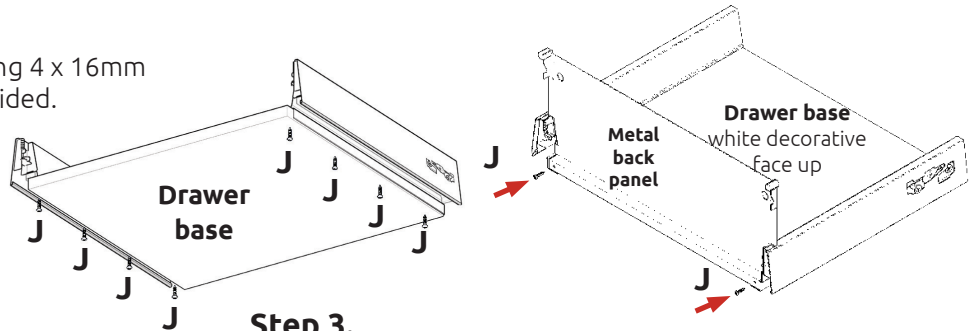
Fit drawer cover caps over drawer side adjustment.

# BASE UNIT

## Hob 2 Drw, 3 Drw & 2 Drw inc Dummy Assembly Guide

### Step 1.

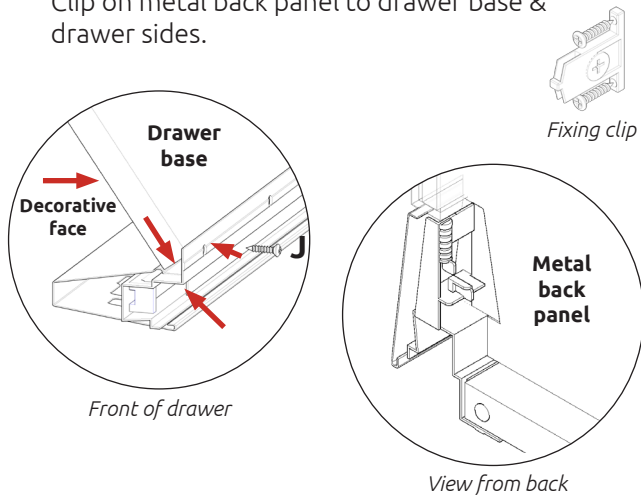
Secure drawer base to drawer side using 4 x 16mm drawer runner screws (**J**) in holes provided. Seat the edge of drawer base tight into corner of casing, as shown. The decorative face of drawer base to be positioned as shown.



Repeat step 1 so both drawer sides are attached to drawer base.

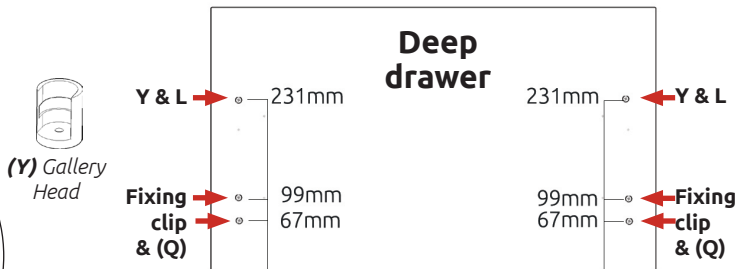
### Step 2.

Clip on metal back panel to drawer base & drawer sides.



### Step 3.

Screw back panel in position using 2 x 16mm screws (**J**) to drawer base in holes provided.



### Step 4.

Secure **drawer side fixing clips** using 2 x 21mm screws (**Q**) & **gallery head (Y)** using 1 x 15mm screws (**L**) in pilot holes provided as shown.

### Drawer Frontal Adjustment

#### Step 5.

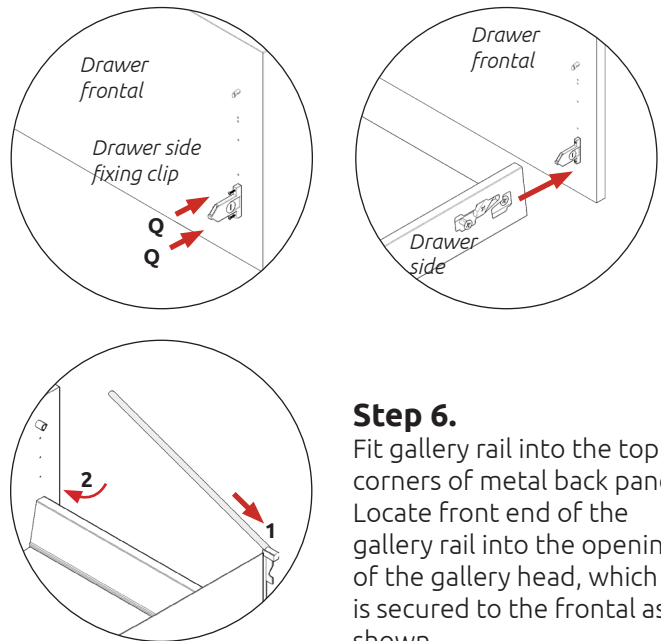
Draw Adjustment Screw point **1** as shown to adjust drawer frontal right & left.

Screw point **2a** as shown to adjust drawer frontal up & down.

Releasing fixing clip. Screw point **3** whilst applying downward pressure as shown to release.

Tighten **2b** once in position.

View of drawer side



### Step 6.

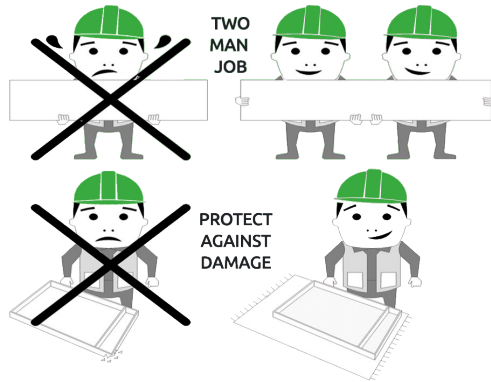
Fit gallery rail into the top corners of metal back panel. Locate front end of the gallery rail into the opening of the gallery head, which is secured to the frontal as shown

### Step 7.

Fit drawer cover caps over drawer side adjustment.



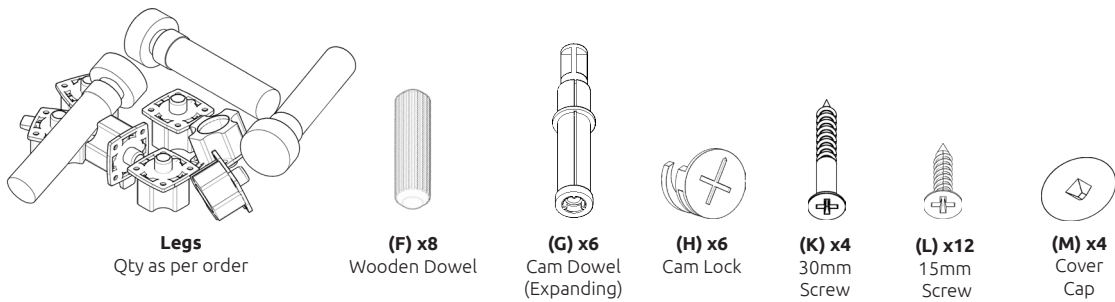
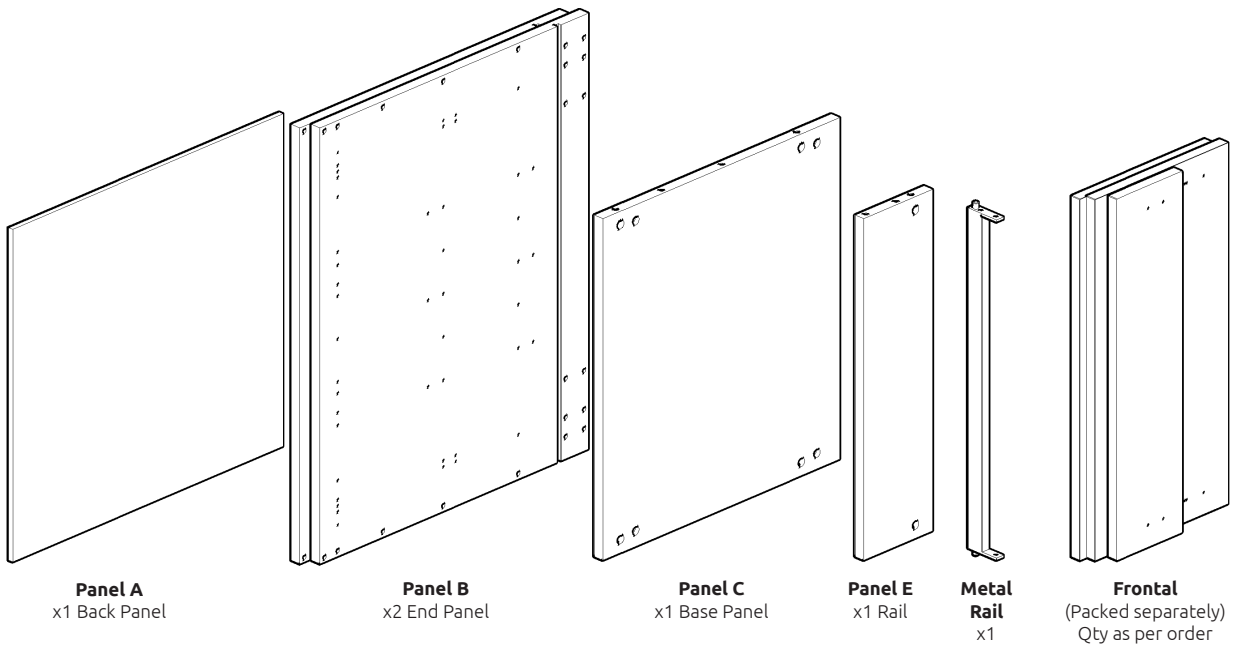
Drawer Cover Cap



**BEFORE YOU START**

**INSTALLATION SHOULD BE PERFORMED BY A COMPETENT PERSON ONLY.**

**THIS PRODUCT COULD BE DANGEROUS IF INCORRECTLY INSTALLED**



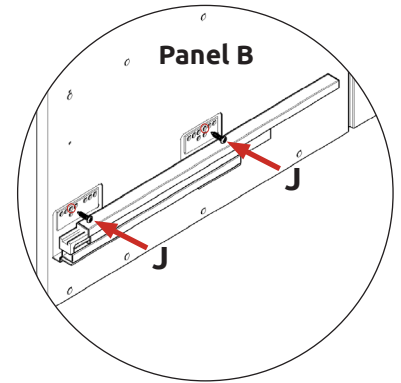
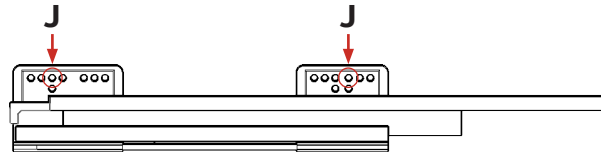
# BASE UNIT

## Hob 2 Drw, 3 Drw & 2 Drw inc Dummy Assembly Guide

### Step 1.

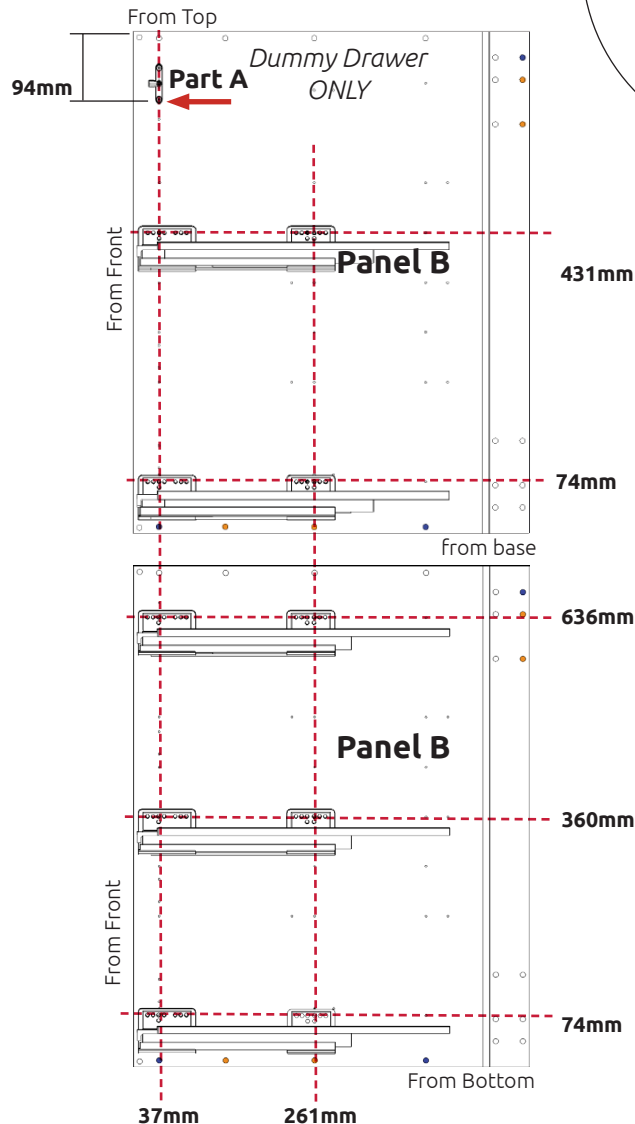
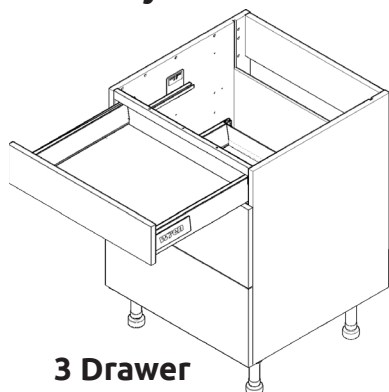
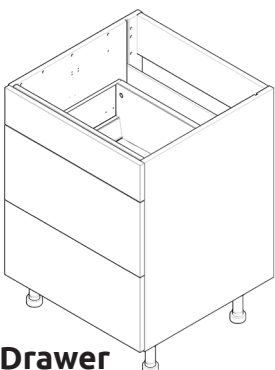
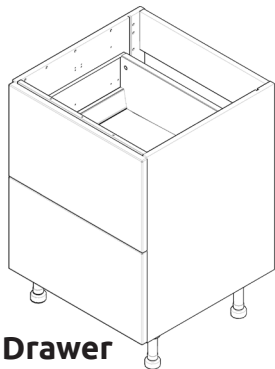
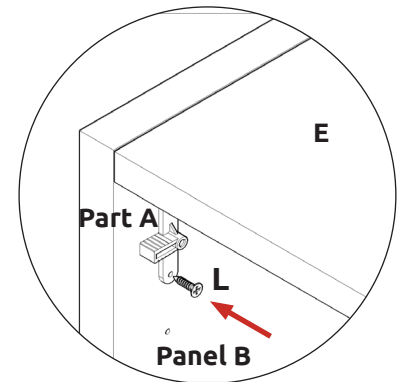
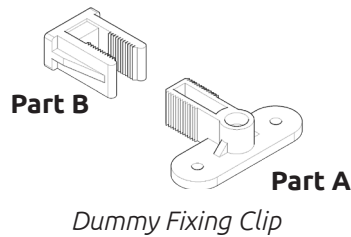
To attach drawer runner screw into end panels (**B**) using 2 x 16mm screws (**J**) per drawer rail, into pilot holes provided, as shown.

#### Drawer runner bracket screw position



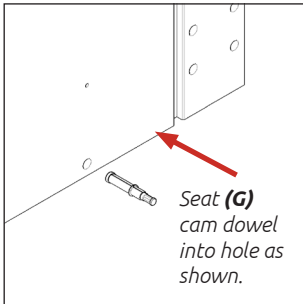
### Step 2.

Where applicable, secure dummy fixing clip parts (**A**) onto both End Panels (**B**) using 2 x 15mm screws (**L**) each, as shown. The bottom screw hole is to be positioned 94mm from the top of the panel (marked by an indentation).



- 2 Drawer  
- 2 Drawer inc Dummy Drawer

3 Drawer



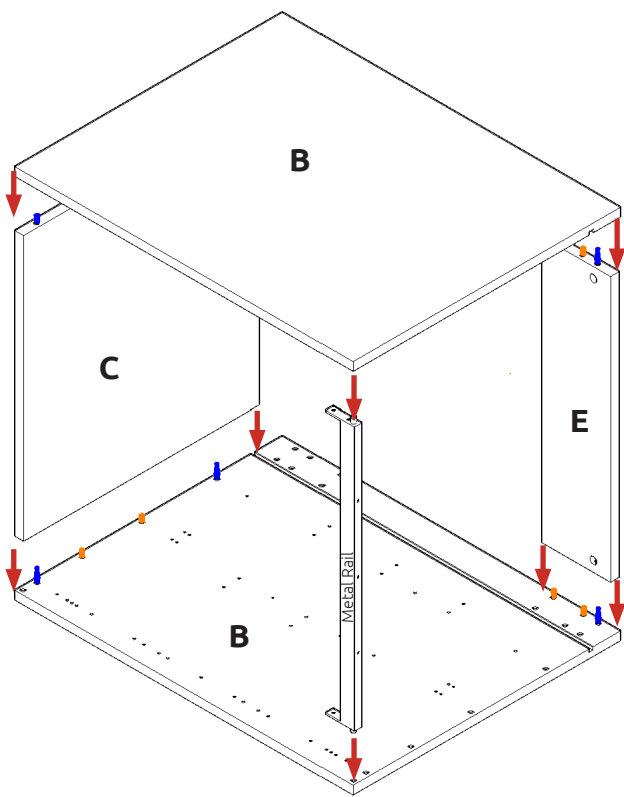
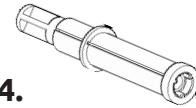
### Step 3.

Seat dowel (F) into holes in both end panels (B) as shown.



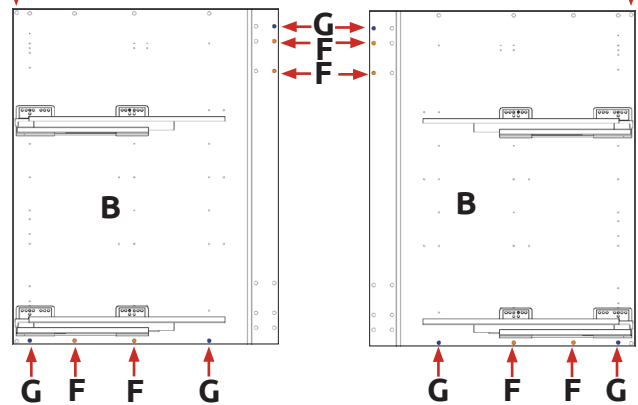
### Step 4.

Seat cam dowel (G) into holes in both end panels (B) as shown.



Metal Rail Insert

Metal Rail Insert



Dowel (F), Cam Dowel (G) & Metal Rail Screw Location detail

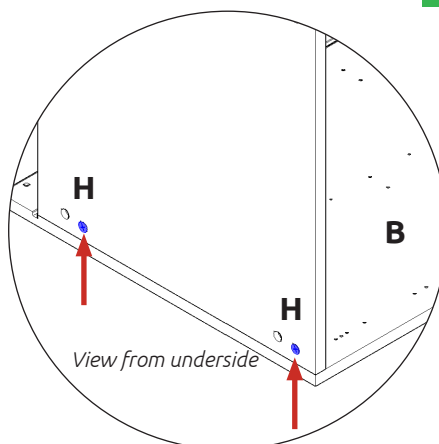
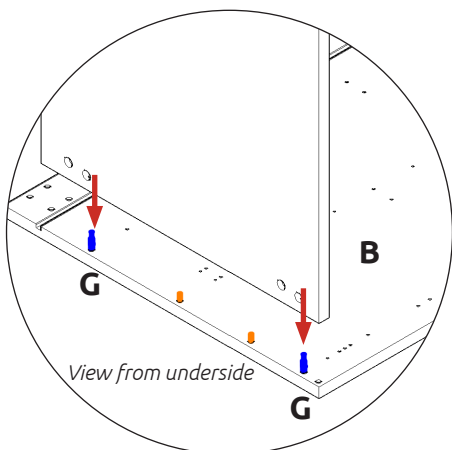
### Step 5.

Attach panels (C) & (E) to panels (B), using dowels (F) (orange) and cam dowel (G) (blue) in positions shown. Insert metal rail as shown & secure with 2 x 15mm screws (L) into panels (B).



All cam locks (H) are to be positioned facing the outside of the unit carcass, for ease of tightening.

Do **NOT** use power tools with cam dowel (G) or cam lock (H)



### Step 6.

Insert cam lock (H). Do **NOT** tighten until Step 8.



# BASE UNIT

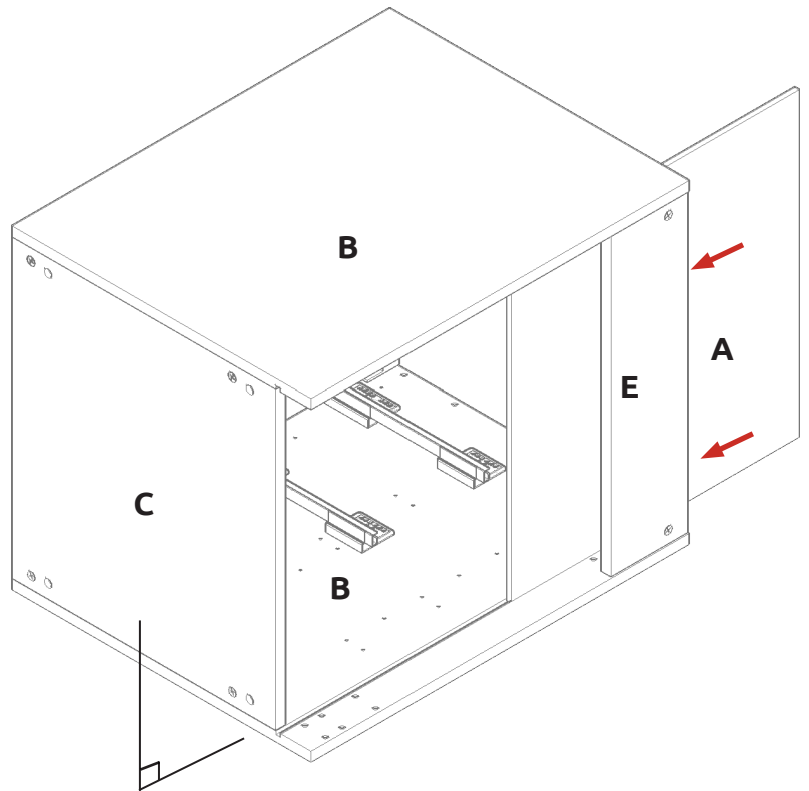
## Hob 2 Drw, 3 Drw & 2 Drw inc Dummy Assembly Guide

### Step 7.

Slide back panel (A) into groove of end panels (B).

The back panel (A) is to be modified accordingly to suit Customer Requirements, prior to inserting into unit.

Once back panel (A) is in position, ensure the panel is flush & square with bottom of end panels (B).



*600 unit used for reference only*

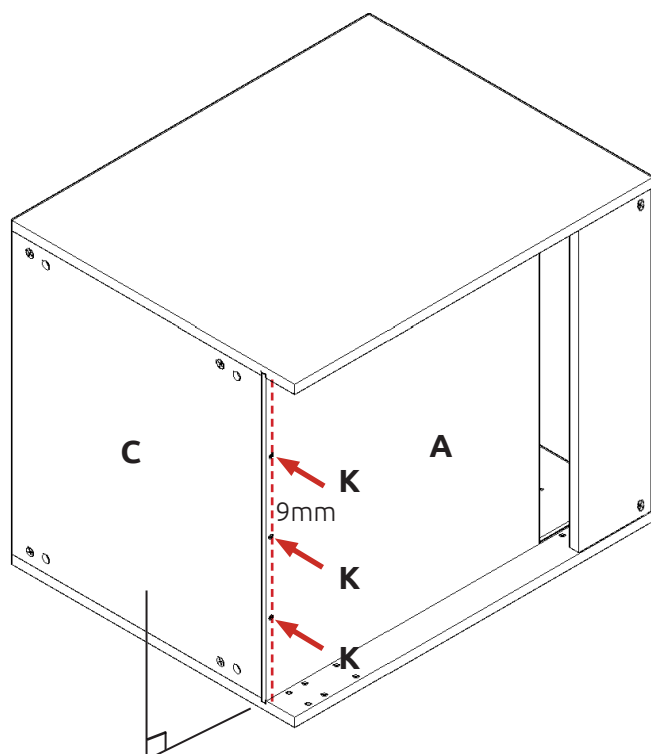
### Step 8.

Hand tighten all cam locks (H), this will expand cam dowels (G) and tighten the unit together.

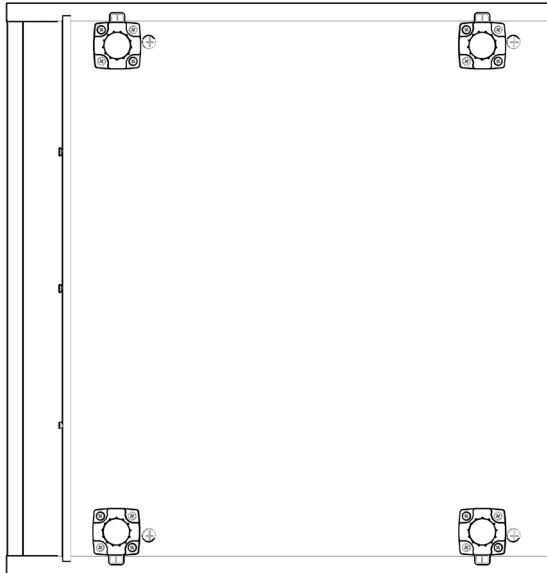
### Step 9.

Ensure unit is square. Secure back panel (A) with 3 or 4 x 30mm screws (K) equally spaced at the bottom of back panel (A) into base panel (C), as shown.

Ensure you screw into the centre of the base panels (C) (9mm from the edge).





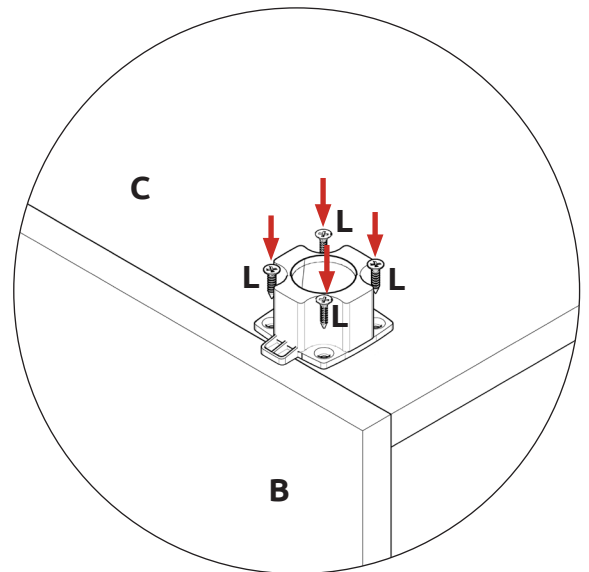


**Step 10.**

Position legs as shown.  
 Ensure legs are rotated to also provide support to the end panels (**B**).  
 600-800 width unit, 4 legs  
 1000 width units, 5 legs.

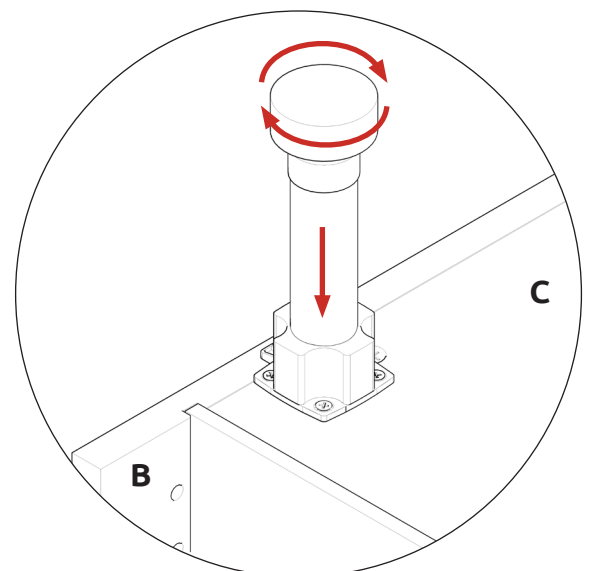
**Step 11.**

Secure each of the legs into place with 4 x 15mm screws (**L**) per leg.



**Step 12.**

Push leg firmly down into leg base.  
 Adjust legs to 155mm before turning unit upright. Once in situ level accordingly.



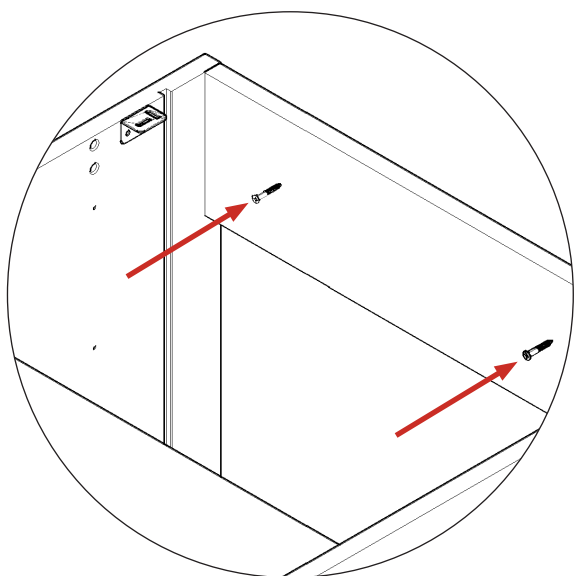
It is **important** to lift the unit onto its legs. Do not tilt as depicted in the image.

# BASE UNIT

## Hob 2 Drw, 3 Drw & 2 Drw inc Dummy Assembly Guide

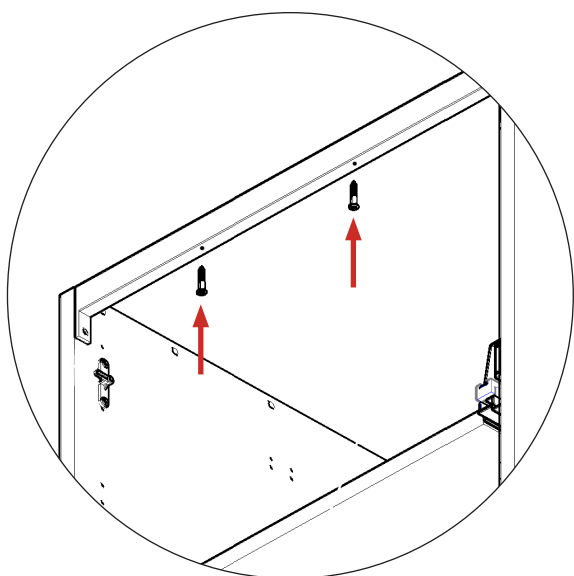
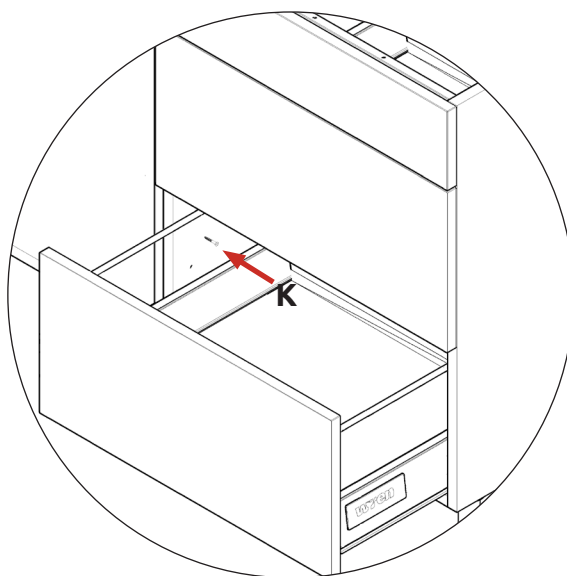


Screws for attaching to walls and worktop are not provided as these vary depending on materials, thickness and construction. Ensure appropriate fixings for wall and worktop construction are used. Please refer to the specialist worktop supplier if these are required for solid surface worktops.



Secure unit to wall by screwing through the back rail and into the wall.

Screw into any side units using the 30mm screws (**K**) provided to secure to the unit. Screw just to the rear of the indentations at the top and bottom on both sides of the unit where applicable. Place cover caps (**M**) on the heads of the screws to conceal them.



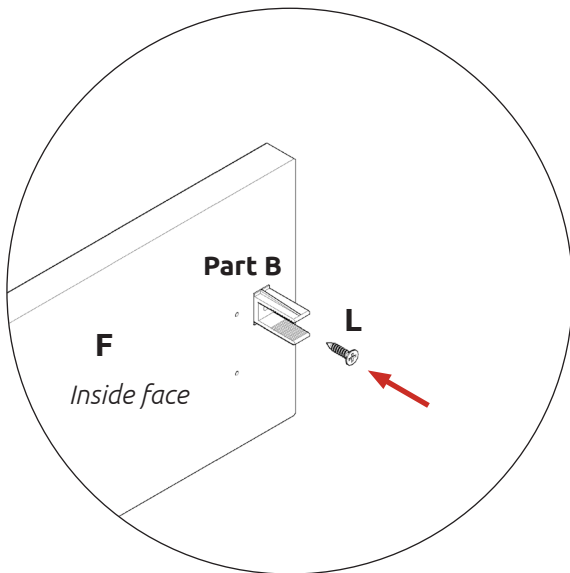
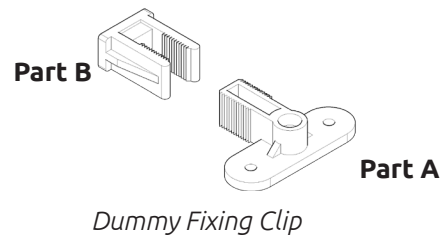
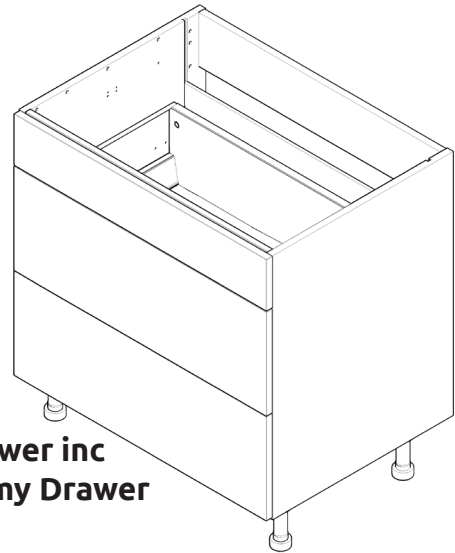
Screw up through the metal rail into worktop to secure it in place.

## Dummy Drawer Frontal Fixing (Where Applicable)

Drawers Supplied in accordance to Specific Customer Kitchen Plan

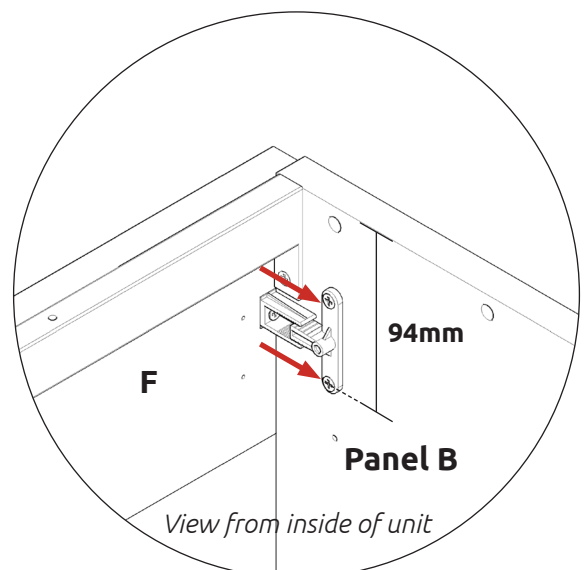
### Step 1.

Secure 2 x dummy fixing clip parts **(B)** onto the inside face of dummy draw front, **26mm** from the edge and **64mm** from the bottom, spaced evenly either side as shown, using 1 x 21mm screw **(Q)** per part **(B)**. Align so frontal is in line with adjacent frontals.



### Step 2.

Align and push panel **(F)** into place. Ensure frontal is in line with adjacent units. Space appropriately from unit.



**wren**  
KITCHENS