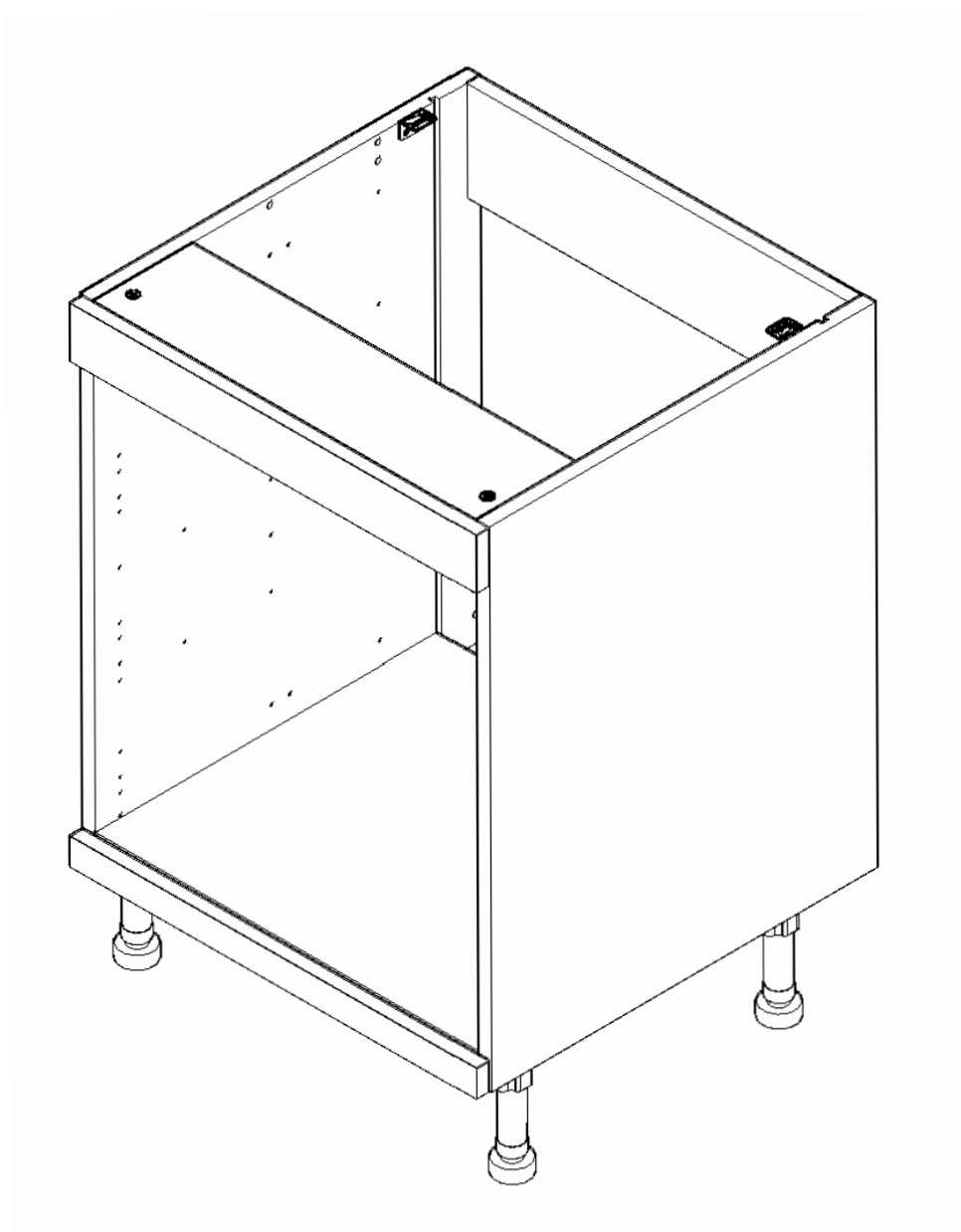


Vogue

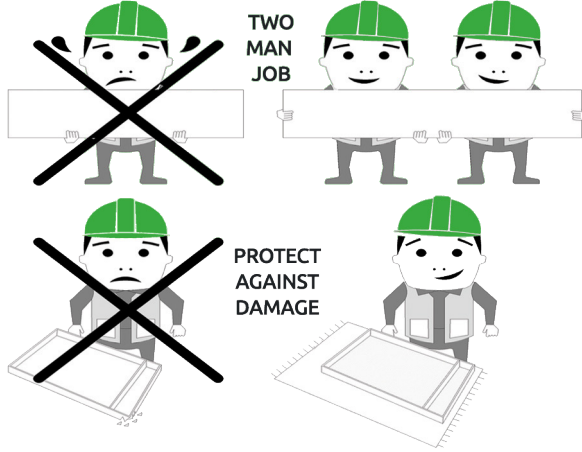
# BASE UNIT

## 600 Built Under Oven Housing Assembly Guide



# BASE UNIT

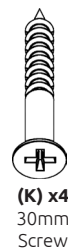
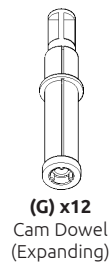
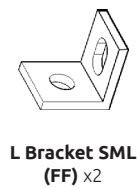
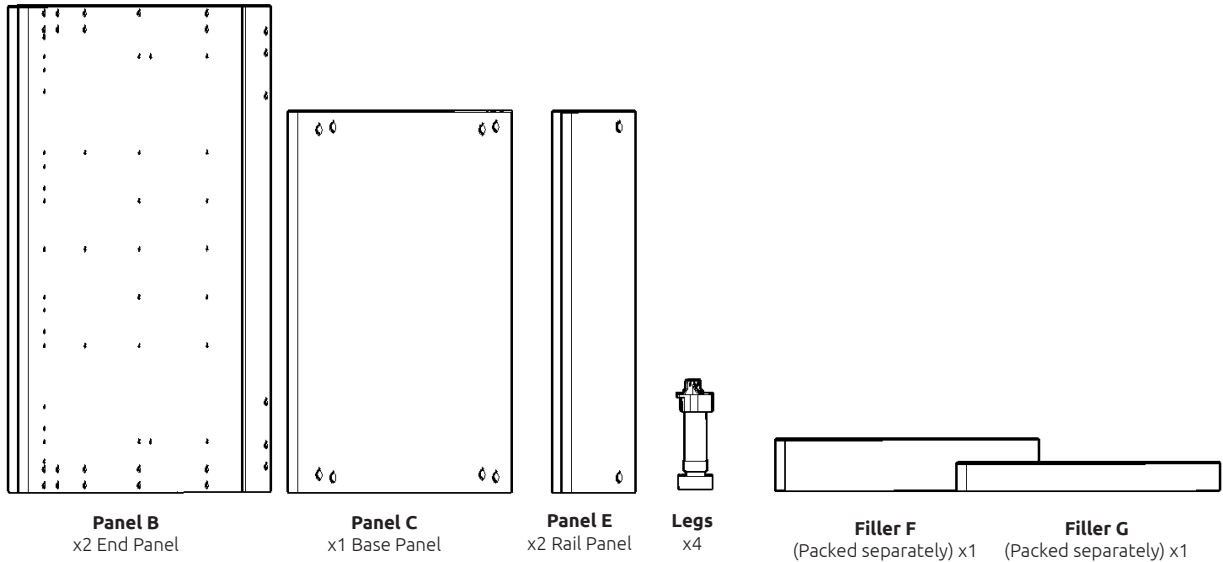
## 600 Built Under Oven Housing Assembly Guide



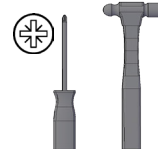
**BEFORE YOU START**

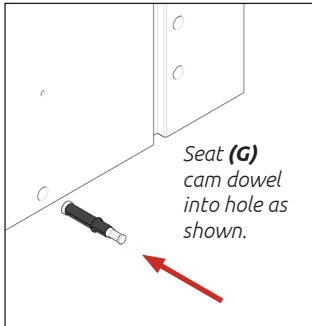
INSTALLATION SHOULD BE PERFORMED BY A COMPETENT PERSON ONLY.

THIS PRODUCT COULD BE DANGEROUS IF INCORRECTLY INSTALLED

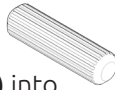


**REQUIRED TOOLS**

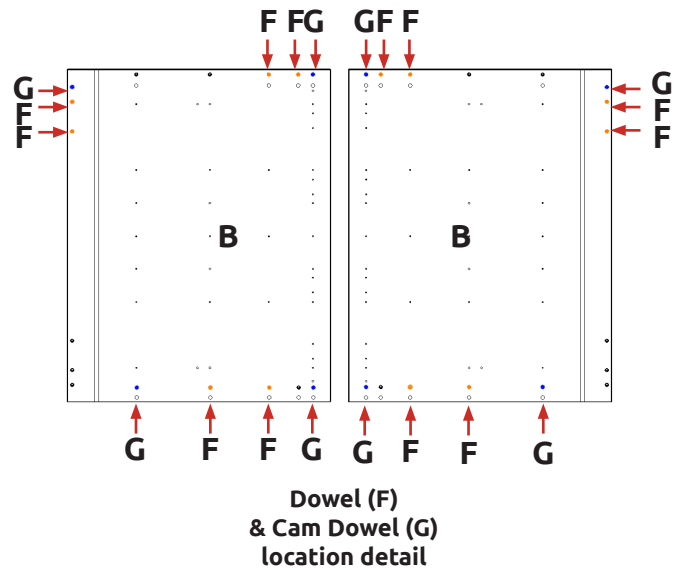
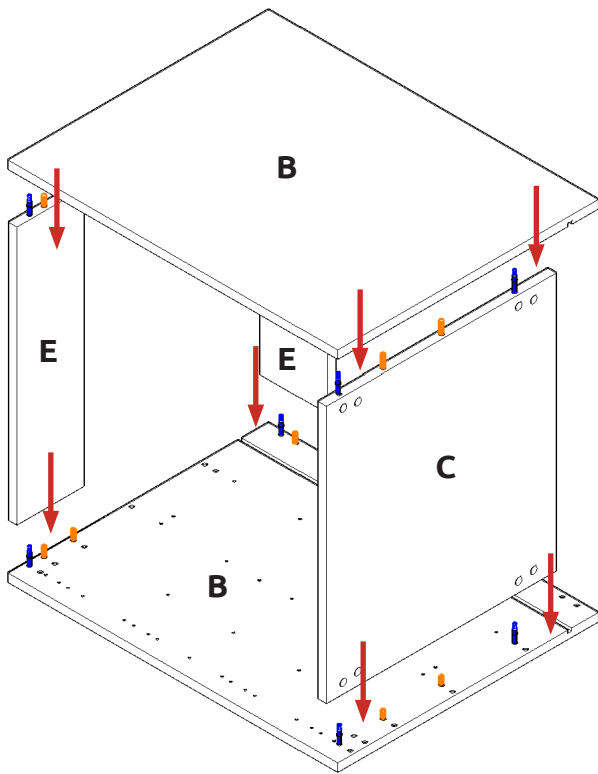
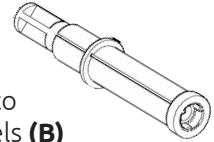




**Step 1.**  
Seat dowel (F) into holes in both end panels (B) as shown.



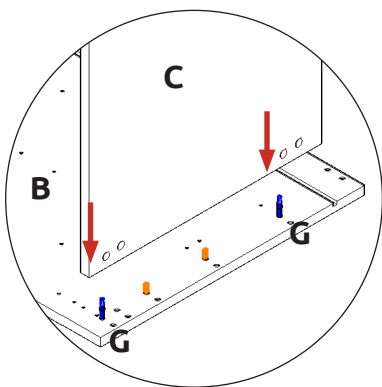
**Step 2.**  
Seat cam dowel (G) into holes in both end panels (B) as shown.



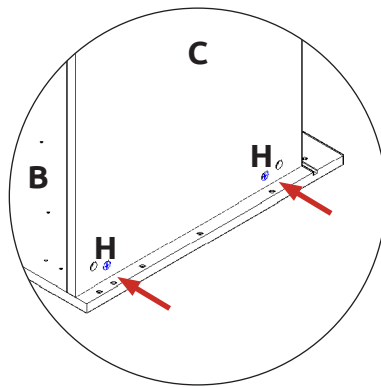
**Step 3.**  
Attach panels (C) & (E) to panels (B), using cam dowel (G) (in blue) and also using dowels (F) (in orange) in positions as shown.

**!** All cam locks (H) are to be positioned facing the outside of the unit carcass, for ease of tightening.

Do **NOT** use power tools with cam dowel (G) or cam lock (H)



View from underside



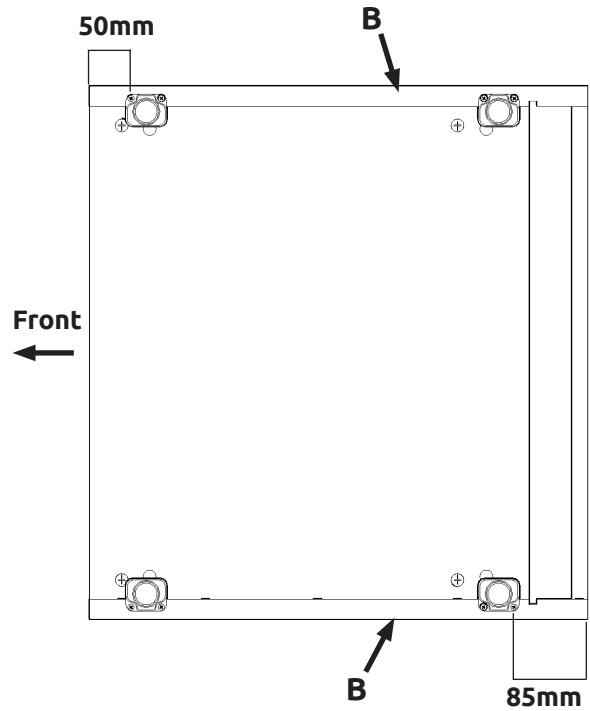
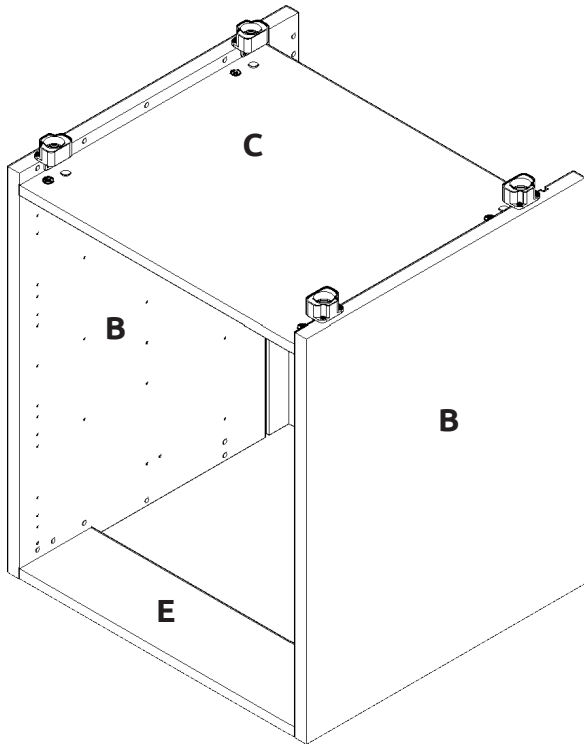
View from underside



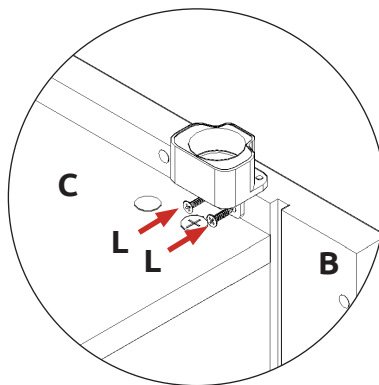
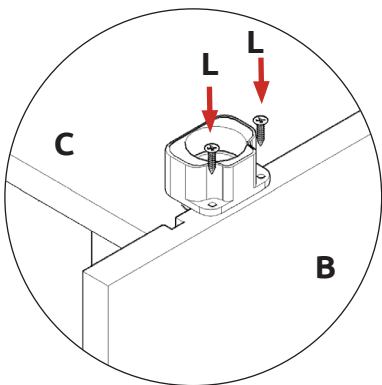
**Step 4.**  
Insert cam lock (H) and hand tighten.

# BASE UNIT

## 600 Built Under Oven Housing Assembly Guide



Leg position diagram

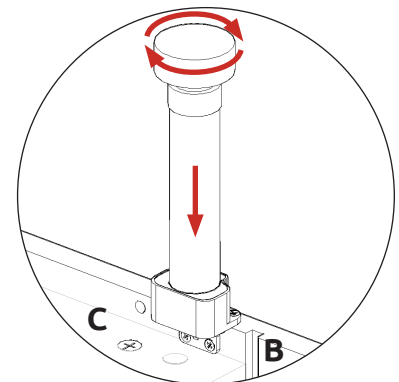


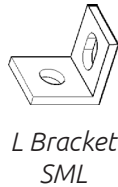
### Step 5.

Secure each of the legs into place with 4 x 15mm screws (L) as shown.

### Step 6.

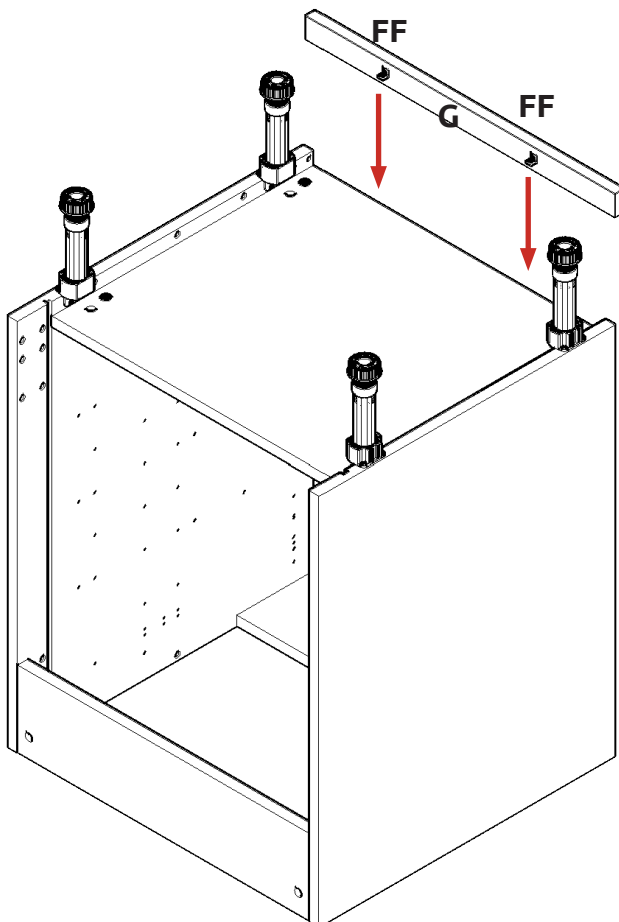
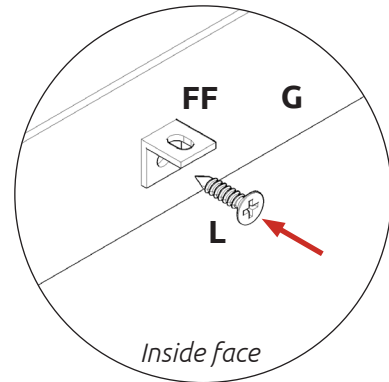
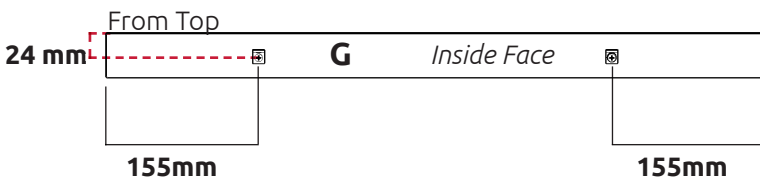
Push leg firmly down into leg base.  
Adjust legs to 155mm before turning unit upright. Once in situ level accordingly.





**Step 7.**

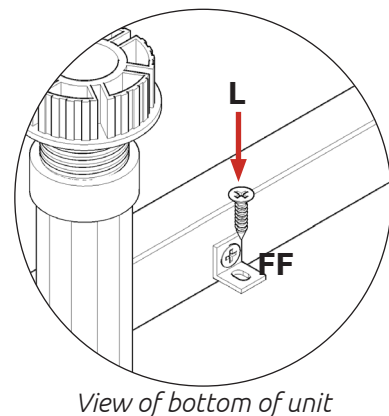
Use 1 x 15mm screw (**L**) per L bracket SML (**FF**) to secure to inside face of Filler (**G**). Attached equally spaced as shown.



**Step 8.**

Align Filler (**G**) to unit ensuring it is in line with adjacent frontals. With the Unit upside down secure Filler (**G**) with 1 x 15mm Screw (**L**) per small L bracket (**FF**) to base of unit as shown.

Flip unit upright and move into situ.

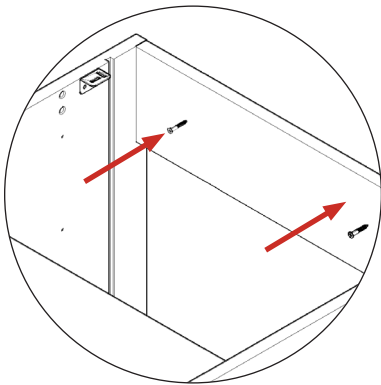


# BASE UNIT

## 600 Built Under Oven Housing Assembly Guide



Screws for attaching to walls and worktop are not provided as these vary depending on materials, thickness and construction. Ensure appropriate fixings for wall and worktop construction are used. Please refer to the specialist worktop supplier if these are required for solid surface worktops.

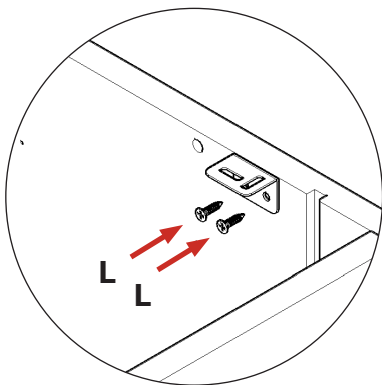
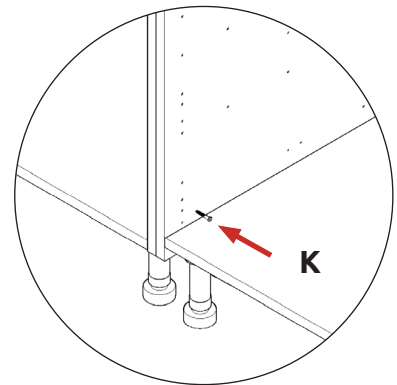


### Secure to wall

Screw through the back rail into the wall to secure the unit in place.

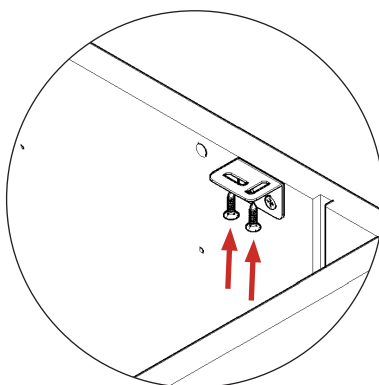
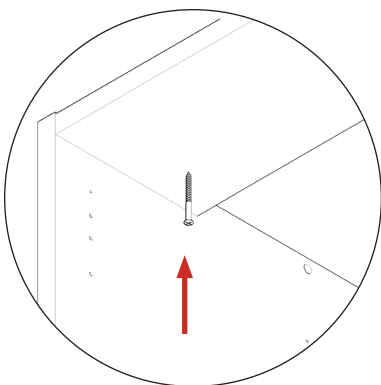
### Securing To Adjacent Units

Screw into any side units using the 30mm screws (**K**) provided to secure to unit. Screw at the top and bottom of both sides of the unit, place a cover caps (**M**) on the head to conceal it.



### L Brackets

Use 2 x 15mm screws (**L**) to secure each of the L brackets LGE to the top, rear of the unit at either side.

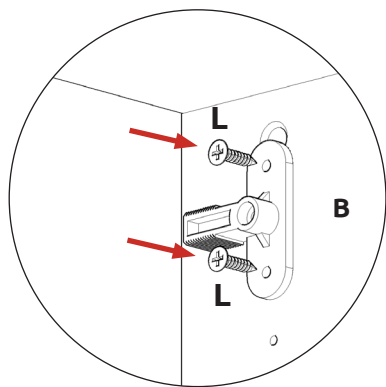
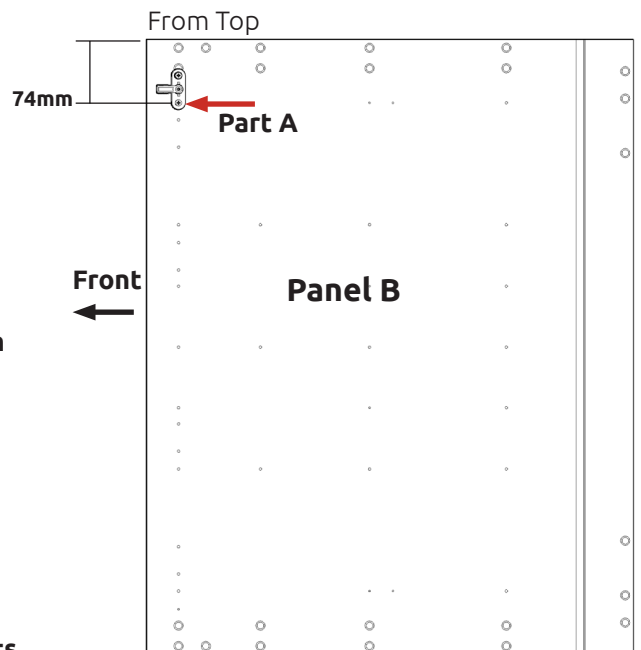
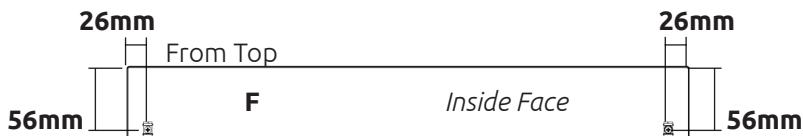
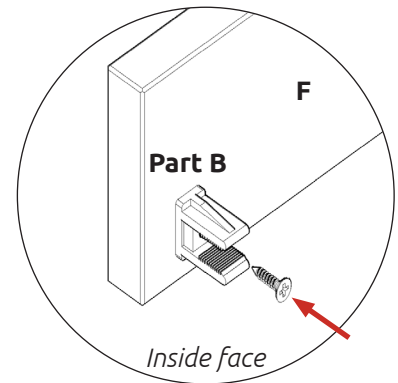
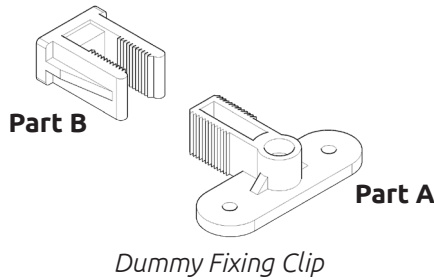


### Worktop

Screw up through the front rail and L Brackets into your worktop to secure it in place.

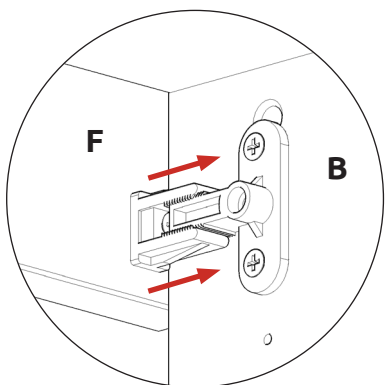
### Step 9.

Secure dummy fixing clip (**Parts B**) onto the inside face at the bottom of panel (**F**), 56mm from the top face and 26mm from the edges to the screw hole of (**Parts B**), spaced evenly either side as shown, using 1 x 21mm screw per dummy fixing clip (**Parts B**). Align so filler is in line with adjacent frontals.



### Step 10.

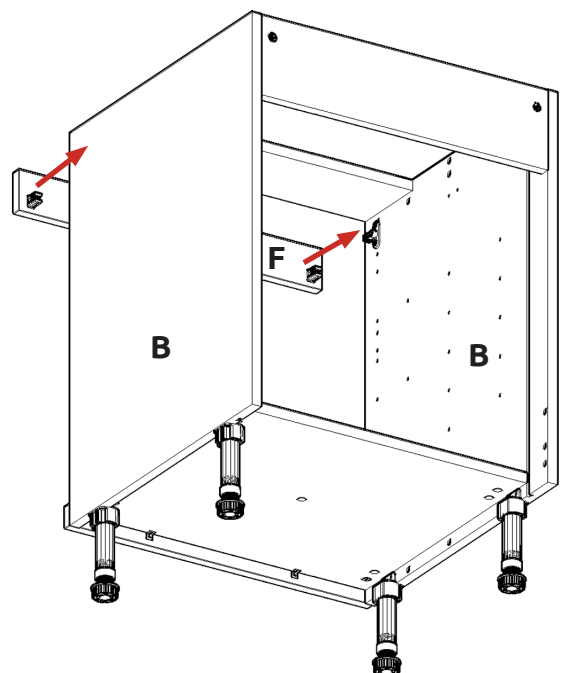
Secure dummy fixing clip (**Parts A**) onto both end panels (**B**) using 2 x 15mm screws (**L**) each, as shown. The bottom screw hole is to be positioned 74mm from the top of the panel using the pre drilled hole.



View from inside of unit

### Step 11.

Align and push panel (**F**) into place. Ensure filler is in line with adjacent frontals. Space appropriately from unit.



**wren**  
KITCHENS