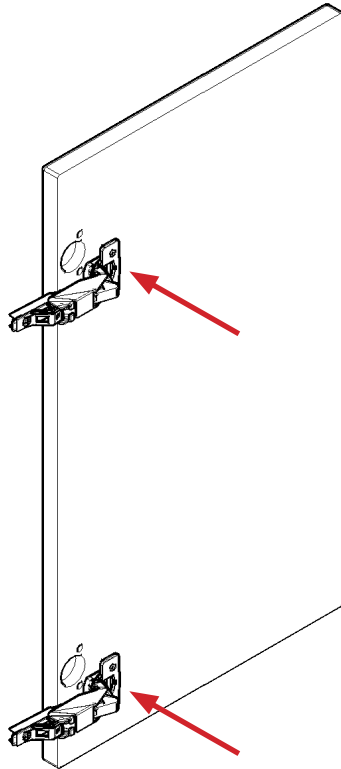


FRONTALS

Titus 170° Hinge - Replacement Frontal Attachment Guide



The top and bottom hinges **MUST** be adjusted to the **SAME STRENGTH**.

Step 1.

Discard existing hinge dowels and replace with new ones provided.

Step 2.

Insert hinge with hinge dowels into hinge holes provided.

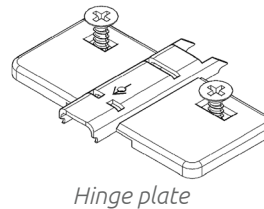


Step 3.

Secure hinges with the 2 x screws, already located in the hinges.

Step 4.

Attach the door to unit, clip hinge onto hinge plate and click to secure.



Step 5.

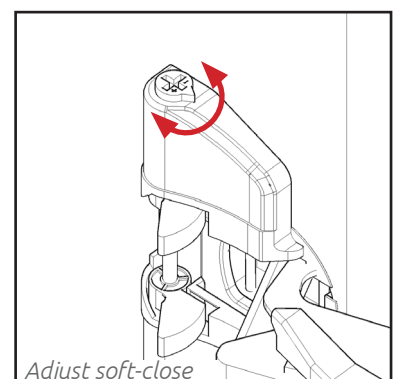
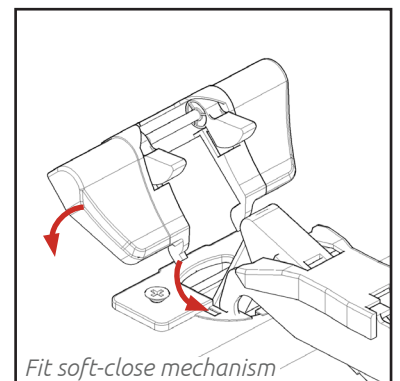
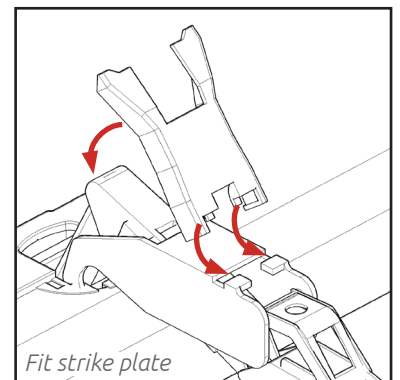
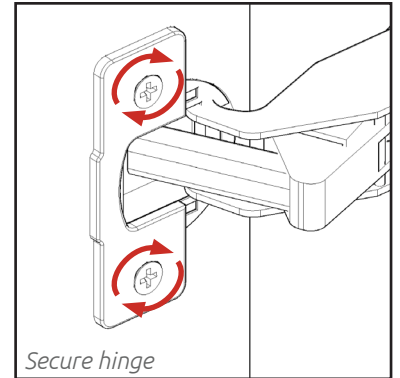
Adjust hinge to suit. As shown below.

Step 6.

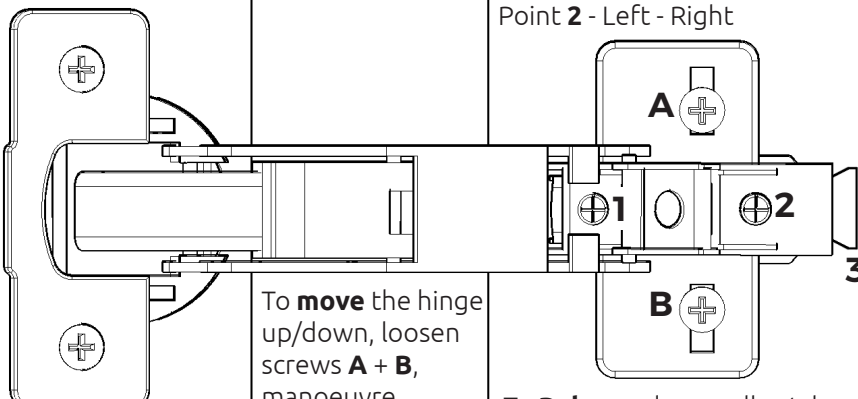
Fit strike plate and soft close mechanism to hinge by hooking them onto the hinge and pressing down to secure.

Step 7.

Adjust soft-close to suit.



FRONTAL HINGE ADJUSTMENT



To **adjust** hinge using a screw driver, tighten or loosen as required at points **1 & 2**.
Point **1** - In - Out
Point **2** - Left - Right

To **move** the hinge up/down, loosen screws **A + B**, manoeuvre the door, then re-tighten the screws.

To **Release** door, pull catch **(3)** at the rear of the hinge to release hinge from the hinge plate.

View from Inside of Unit