

### Step 1.

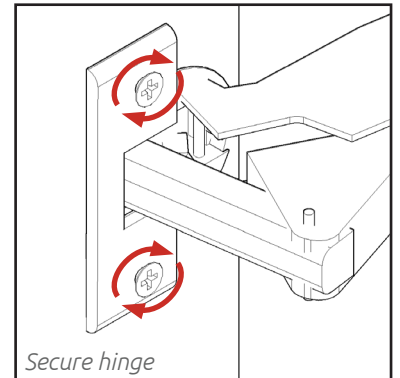
Discard existing hinge dowels and replace with new ones provided.



Hinge dowels

### Step 2.

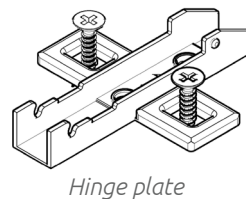
Insert hinge with hinge dowels into hinge holes provided.



Secure hinge

### Step 3.

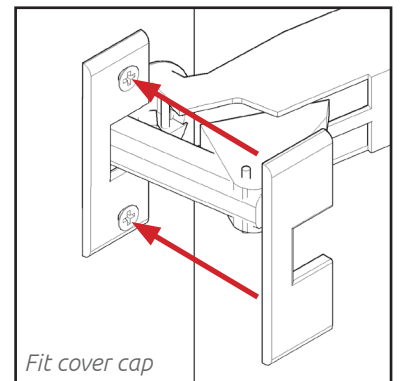
Secure hinges with the 2 x screws, already located in the hinges.



Hinge plate

### Step 4.

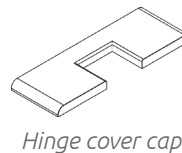
Attach the door to unit, clip hinge onto hinge plate and click to secure.



Fit cover cap

### Step 5

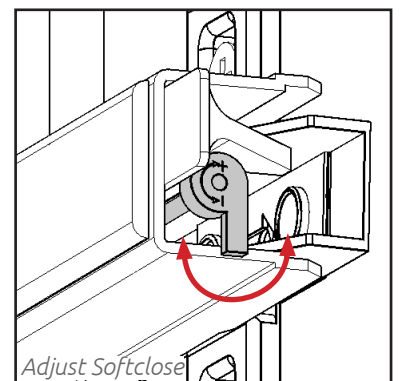
Adjust hinge to suit. As shown below.



Hinge cover cap

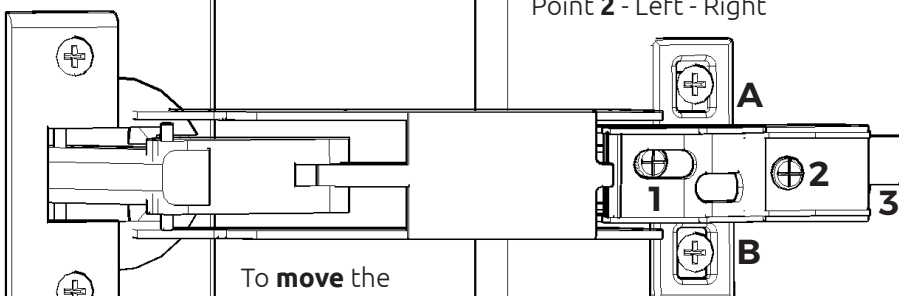
### Step 6.

Fit cover cap and adjust soft close to suit.



Adjust Softclose

### FRONTAL HINGE ADJUSTMENT



To **adjust** hinge using a screw driver, tighten or loosen as required at points **1 & 2**.

Point **1** - In - Out  
Point **2** - Left - Right

To **move** the hinge up/down, loosen screws **A** + **B**, manoeuvre the door, then re-tighten the screws.

To **Release** door, pull catch (**3**) at the rear of the hinge to release hinge from the hinge plate.

*View from Inside of Unit*

The top and bottom hinges **MUST** be adjusted to the **SAME STRENGTH**.