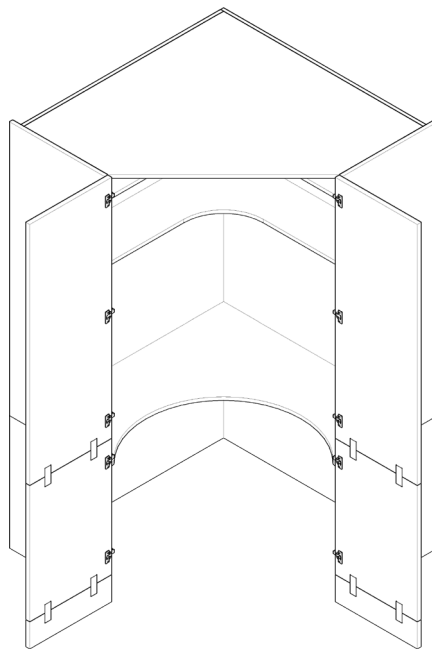
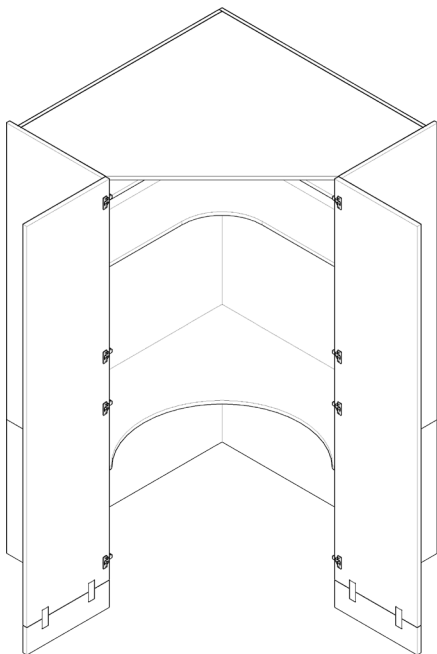
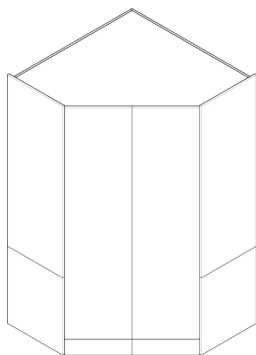
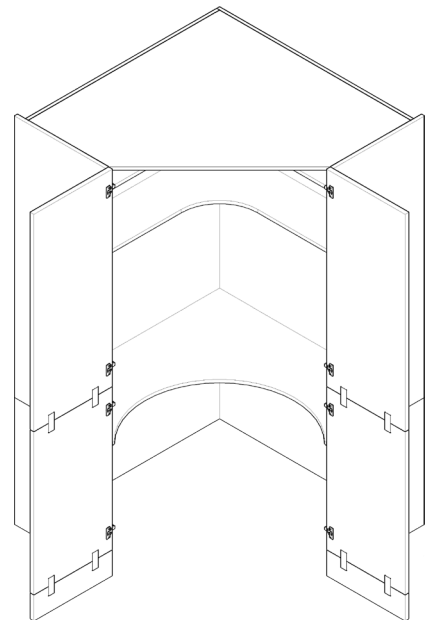


# TOWER UNIT

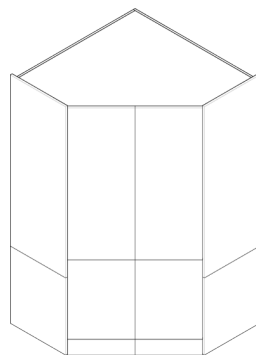
## 2070 & 2250 Diagonal Corner Office Assembly Guide



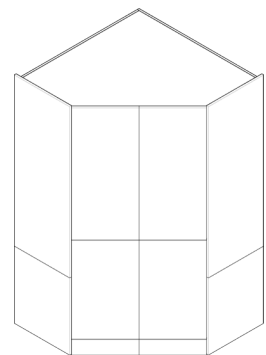
**2070 - 2250 x 1302**



*1 Door*



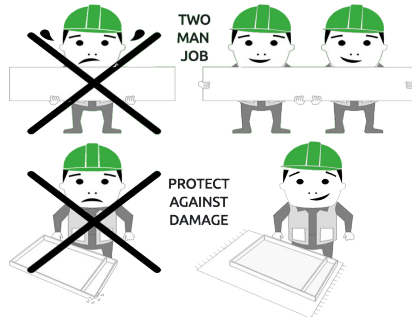
*70/30 Door*



*50/50 Door*

# TOWER UNIT

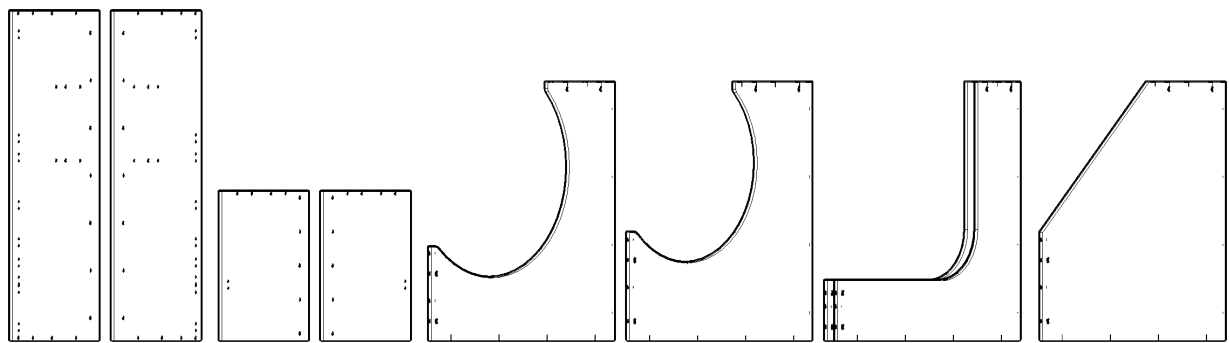
## 2070 & 2250 Diagonal Corner Office Assembly Guide



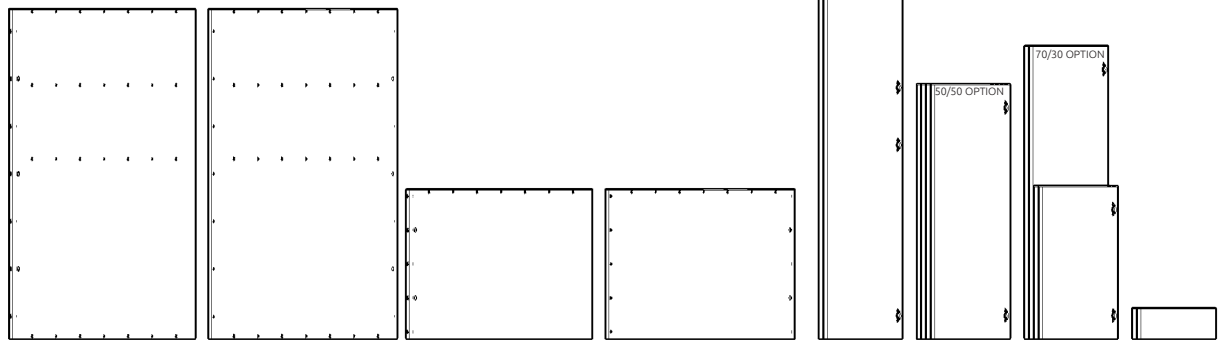
**BEFORE YOU START**

**INSTALLATION SHOULD BE PERFORMED BY A COMPETENT PERSON ONLY.**

**THIS PRODUCT COULD BE DANGEROUS IF INCORRECTLY INSTALLED**



**Panel eA** x1 End Panel Left Hand  
**Panel eB** x1 End Panel Right Hand  
**Panel eC** x1 End Panel Left Hand  
**Panel eD** x1 End Panel Right Hand  
**Panel sE** x1 Fixed Shelf  
**Panel sF** x1 Fixed Shelf  
**Panel sG** x2 Fixed Shelf  
**Panel sH** x1 Top Panel



**Panel bK** x1 Back Panel Left Hand  
**Panel bL** x1 Back Panel Right Hand  
**Panel bM** x1 Back Panel Left Hand  
**Panel bN** x1 Back Panel Right Hand  
**Frontals** 1Dr or 50/50 or 70/30 (Packed Separately)  
**Plinth** x2



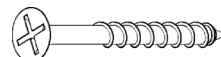
**Cam Dowel (W)**  
x 30



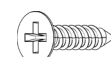
**Cam Lock (H)**  
x 30



**Wooden Dowel (F)**  
x 70



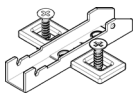
**45mm Screw (P)**  
x 42



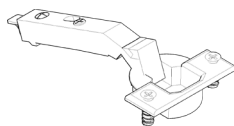
**15mm Screw (L)**



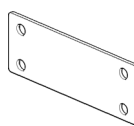
**30mm Screw (K)**  
x 16



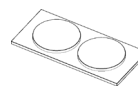
**Hinge Mounting Plate**  
Inc Screws



**Hinge**  
Inc Screws



**Fixing Plate (U)**



**Door Buffer**  
x1



**Screw Cover Cap**  
x 4 (Per Colour)

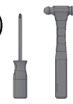


**L Bracket (LGE)**  
x4

**REQUIRED TOOLS**

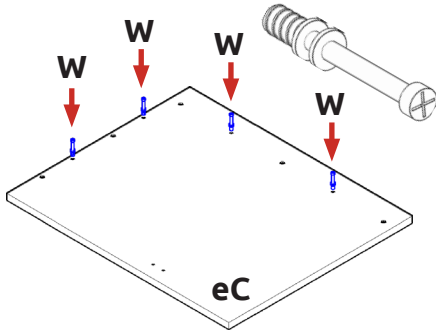


**NOT to be used with CAM DOWEL & CAM LOCK**



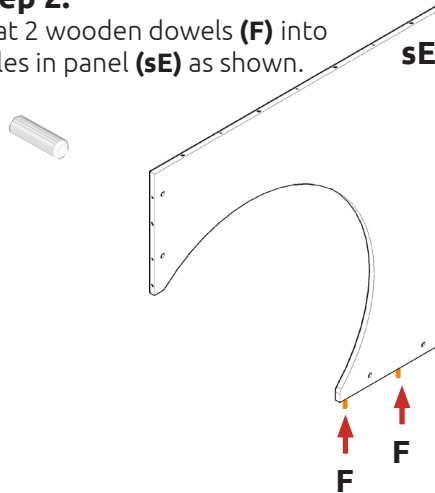
### Step 1.

Seat 4 cam dowels (**W**) into holes in end panel (**eC**) as shown.



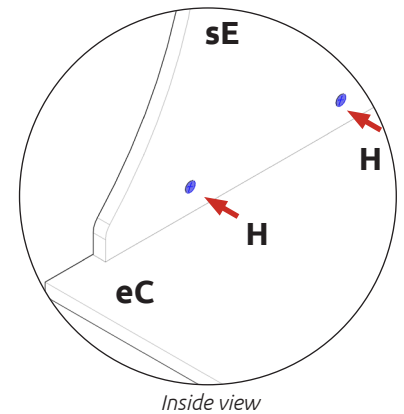
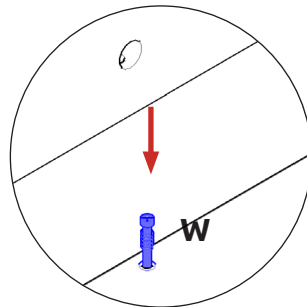
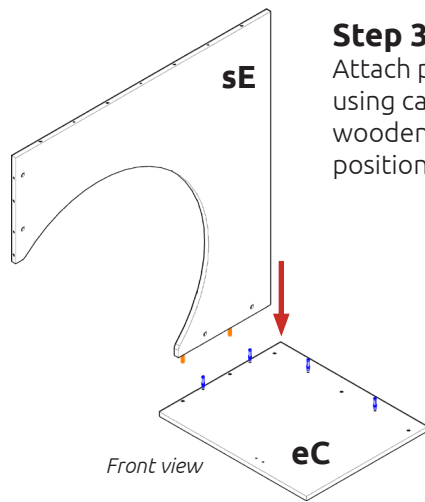
### Step 2.

Seat 2 wooden dowels (**F**) into holes in panel (**sE**) as shown.



### Step 3.

Attach panel (**sE**) to end panel (**eC**), using cam dowels (**W**) (in blue) and wooden dowels (**F**) (in orange) in positions as shown.



Inside view

### Step 4.

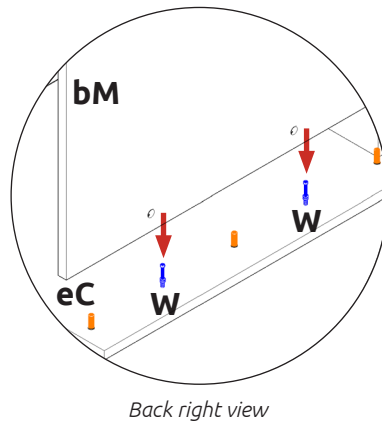
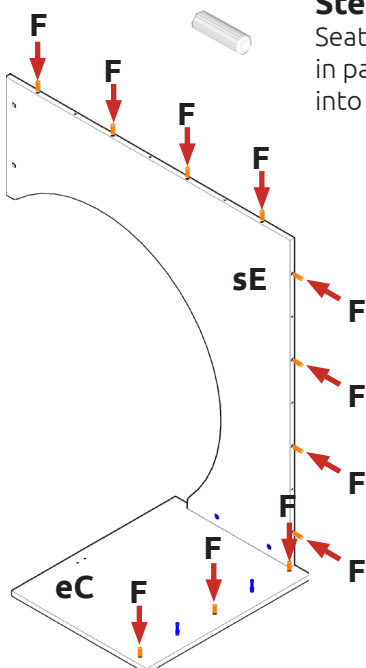
Insert 2 cam locks (**H**) into holes in panel (**sE**) as shown. Do NOT tighten until step 16.



Do **not** use power tools with cam dowel (**W**) or cam lock (**H**)

### Step 5.

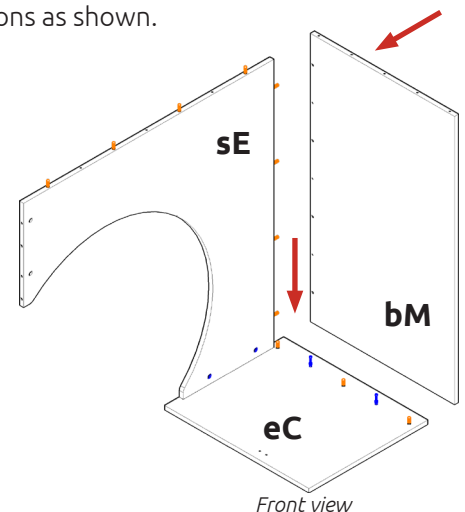
Seat 8 wooden dowels (**F**) into holes in panel (**sE**) and 3 wooden dowels (**F**) into holes in end panel (**eC**) as shown.



Back right view

### Step 6.

Attach back panel (**BM**) to end panel (**eC**) and panel (**sE**), using cam dowels (**W**) (in blue) and wooden dowels (**F**) (in orange) in positions as shown.



Front view

Once back panel (**BM**) is in position, ensure it is flush & square with bottom of end panel (**eC**).

# TOWER UNIT

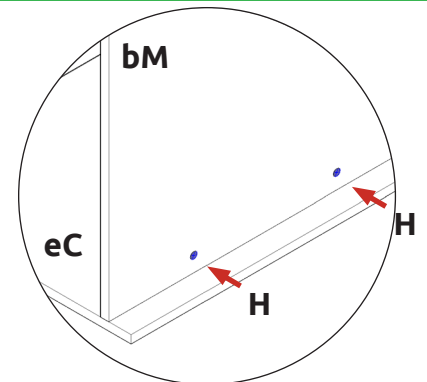
## 2070 & 2250 Diagonal Corner Office Assembly Guide



### Step 7.

Insert 2 cam locks (**H**) into holes in back panel (**bM**) as shown. Do NOT tighten until step 16.

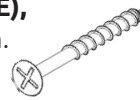
Do **not** use power tools with cam dowel (**W**) or cam lock (**H**)



Back right view

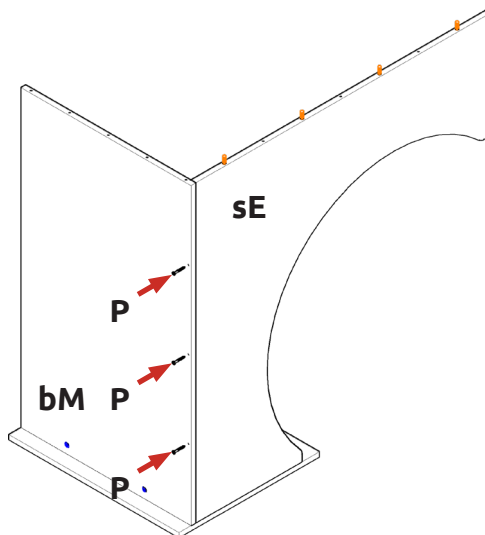
### Step 8.

Secure back panels (**bM**) to panel (**sE**), using 3 x 45mm screws (**P**) as shown.

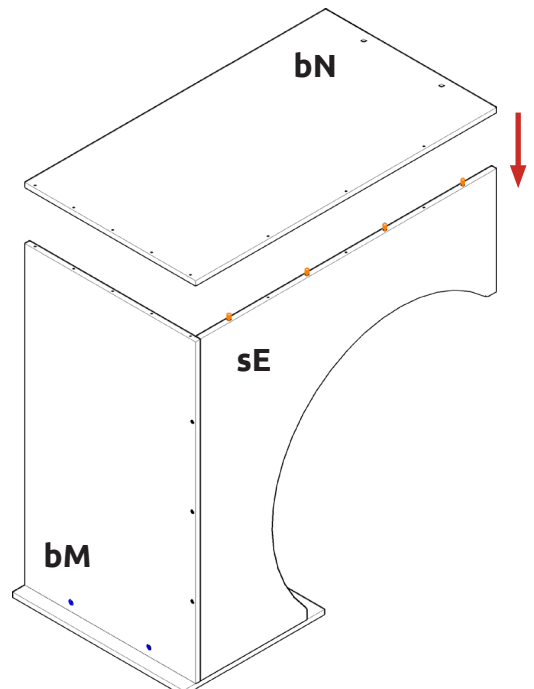


### Step 9.

Attach back panel (**bN**) to panel (**sE**), using wooden dowels (**F**) (in orange) in positions as shown.



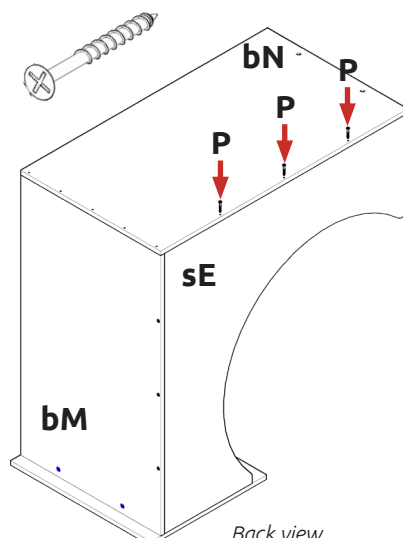
Back right view



Back view

### Step 10.

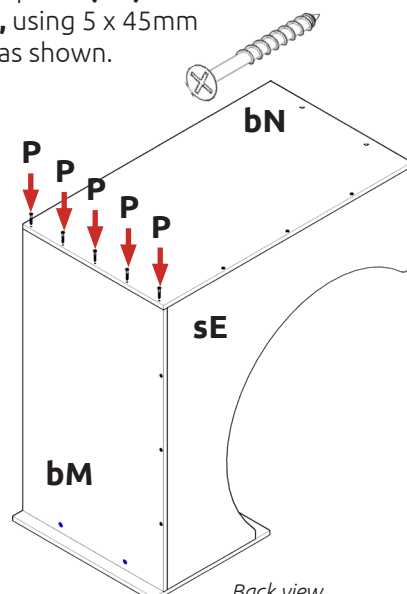
Secure back panel (**bN**) to panel (**sE**), using 3 x 45mm screws (**P**) as shown.



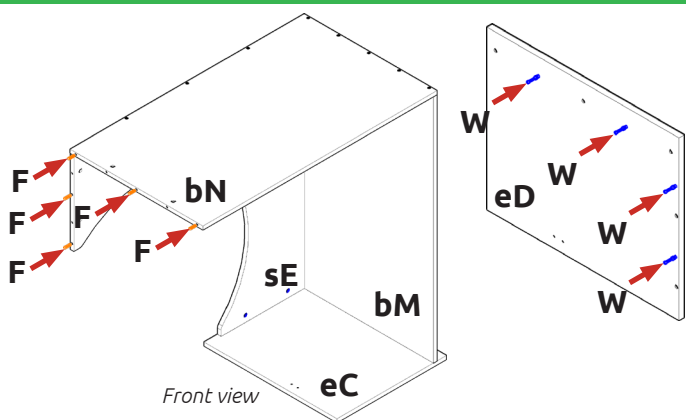
Back view

### Step 11.

Secure back panel (**bN**) to back panel (**bM**), using 5 x 45mm screws (**P**) as shown.



Back view



### Step 12.

Seat 2 wooden dowels (F) into holes in panel (sE) and 3 wooden dowels (F) into holes in back panel (bN) as shown.

### Step 13.

Seat 4 cam dowels (W) into holes in end panel (eD) as shown.



Do **not** use power tools with cam dowel (W) or cam lock (H)

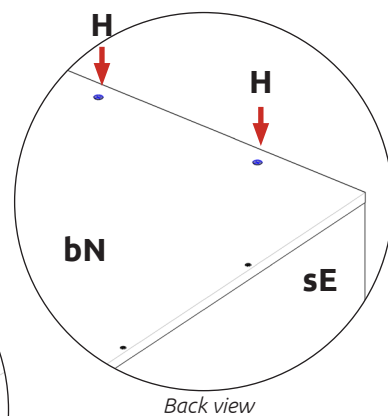
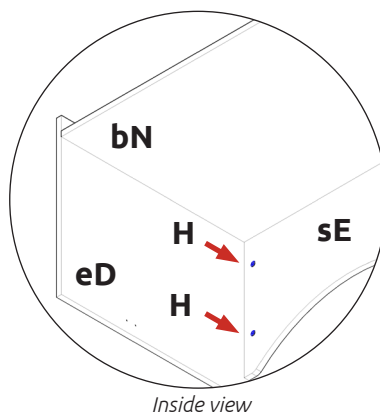
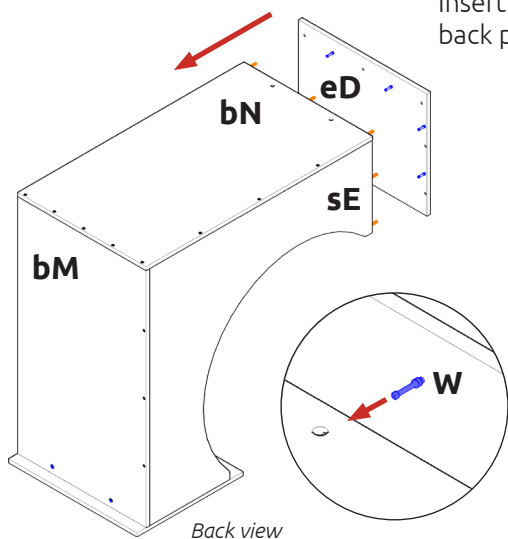
### Step 14.

Attach end panel (eD) to back panel (bN) and panel (sE), using cam dowels (W) (in blue) and wooden dowels (F) (in orange) in positions as shown.



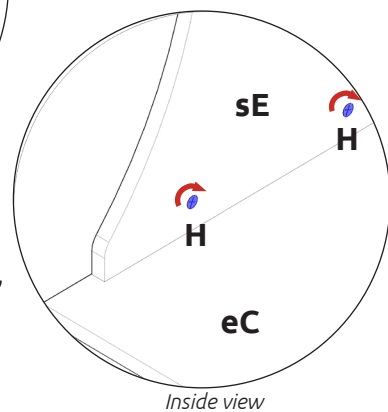
### Step 15.

Insert 2 cam locks (H) per panel into holes in back panel (bN) and in panel (sE)



### Step 16.

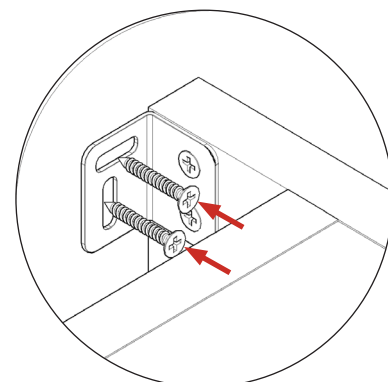
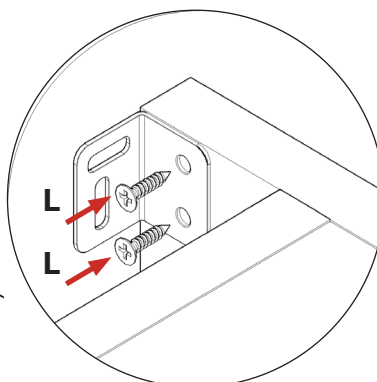
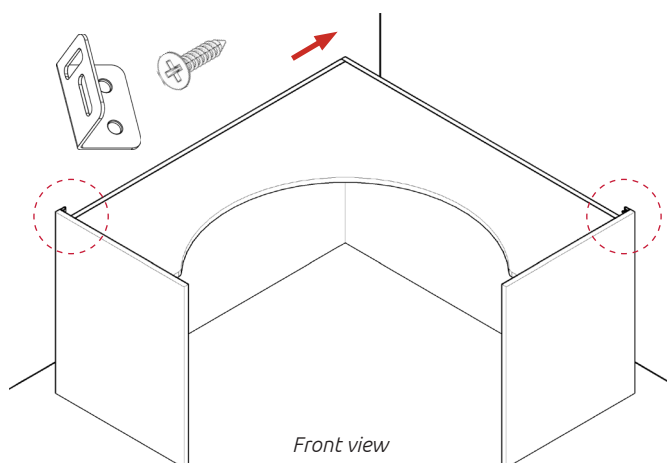
Hand tighten all cam locks (H), this will expand cam dowels (W) and tighten the unit together.



### Step 17.

Secure unit to wall, using L brackets LGE. Use 2 x 15mm screws (L) to secure each of the L brackets LGE to the end panel at either side. Then screw through into the wall as shown.

Screws for fixing to walls are not provided as these vary depending on your wall material and construction. Ensure appropriate fixings for wall constructions are used.

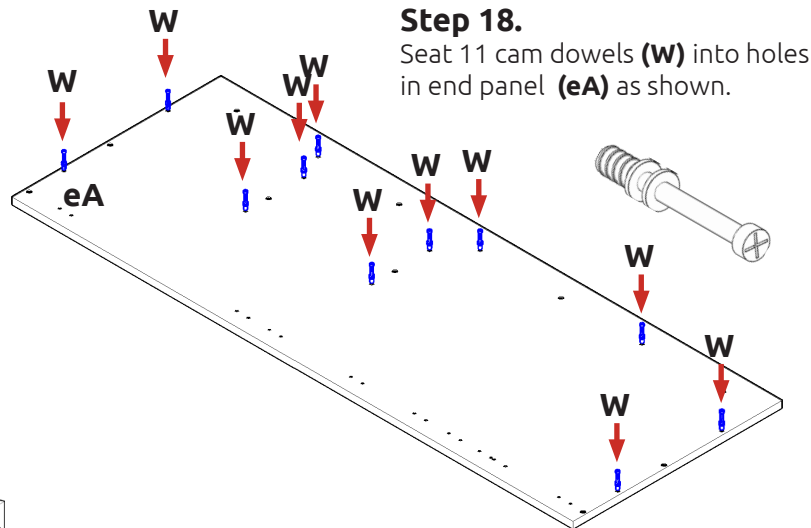


# TOWER UNIT

## 2070 & 2250 Diagonal Corner Office Assembly Guide

### Step 18.

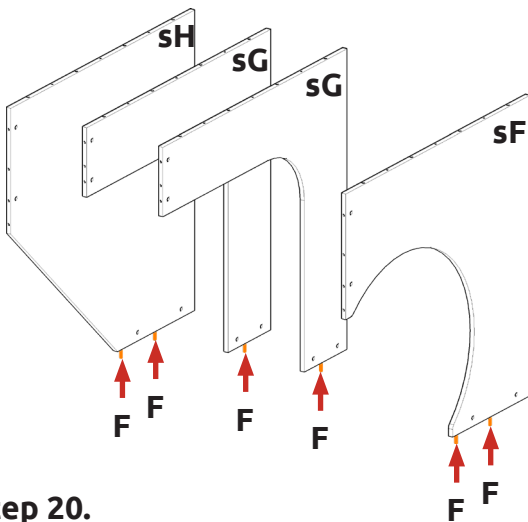
Seat 11 cam dowels (**W**) into holes in end panel (**eA**) as shown.



### Step 19.

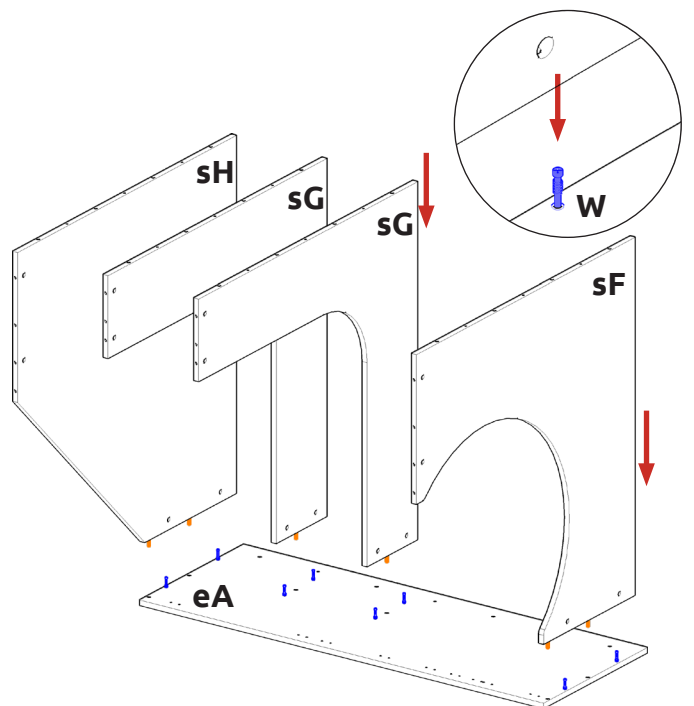
Seat 2 wooden dowels (**F**) per panel into holes in panel (**sF**) and (**sH**) as shown.

Seat 1 wooden dowel (**F**) per panel into hole in panels (**sG**) as shown.



### Step 20.

Attach panels (**sF**), (**sG**), (**sH**), to end panel (**eA**), using cam dowels (**W**) (in blue) and wooden dowels (**F**) (in orange) in positions as shown.

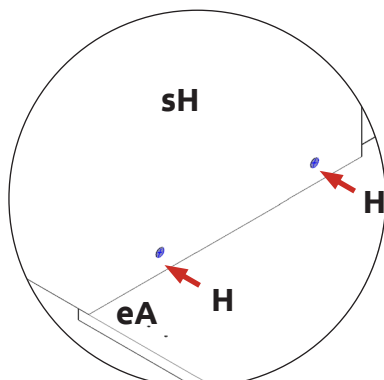


Front view

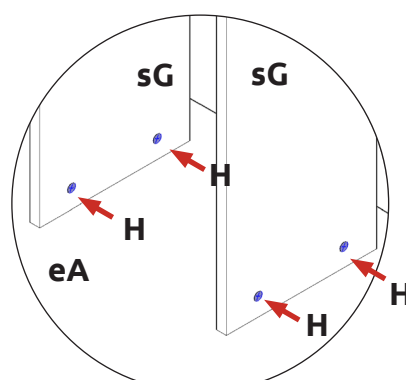
### Step 21.

Insert 2 cam locks (**H**) per panel into holes in panels (**sF**), (**sG**) and (**sH**) as shown. Do NOT tighten until step 33.

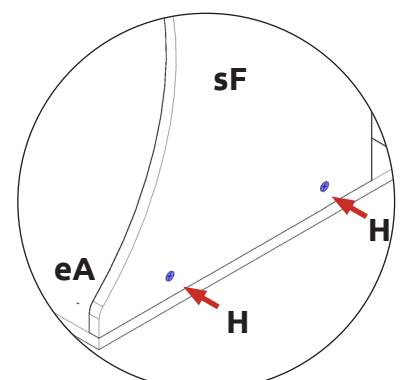
Do **not** use power tools with cam dowel (**W**) or cam lock (**H**)



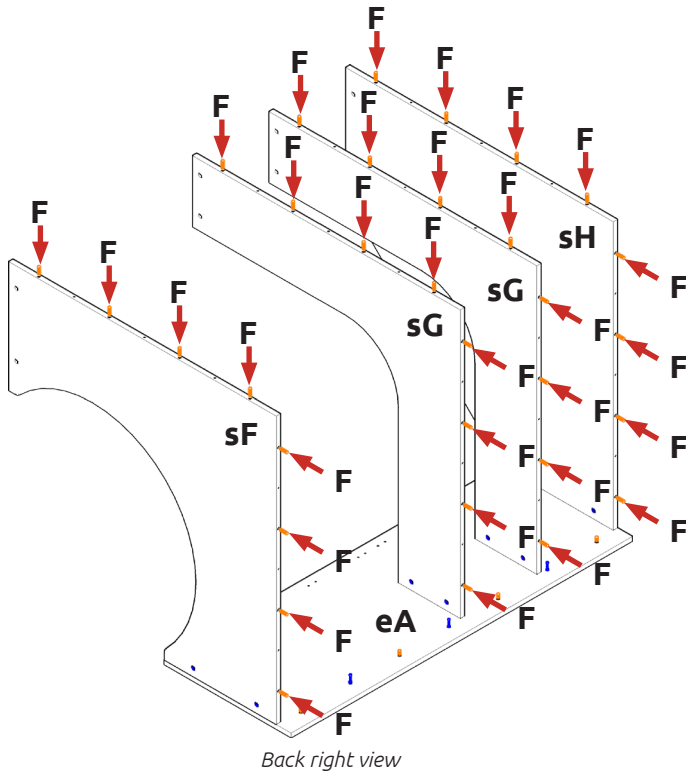
Inside view



Inside view

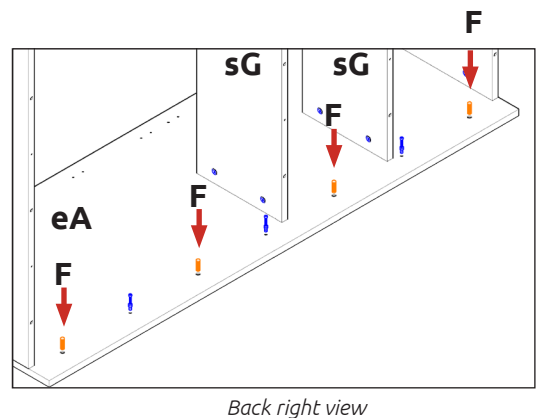


Front view



### Step 22.

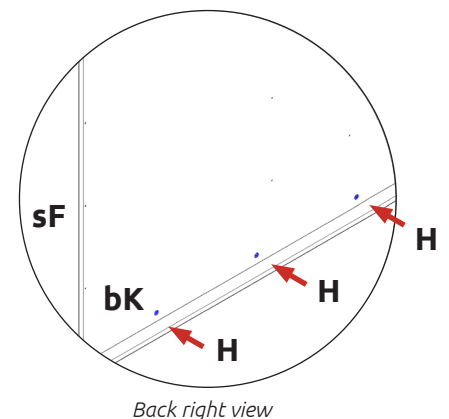
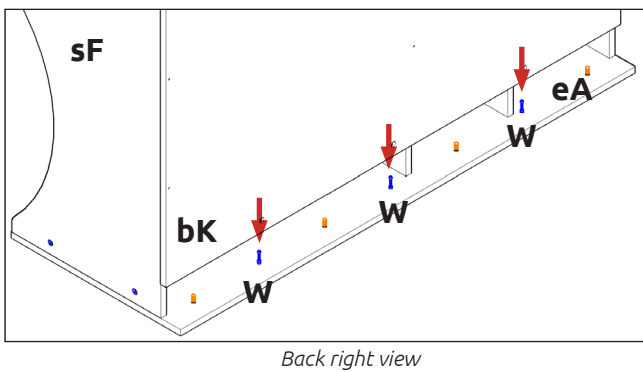
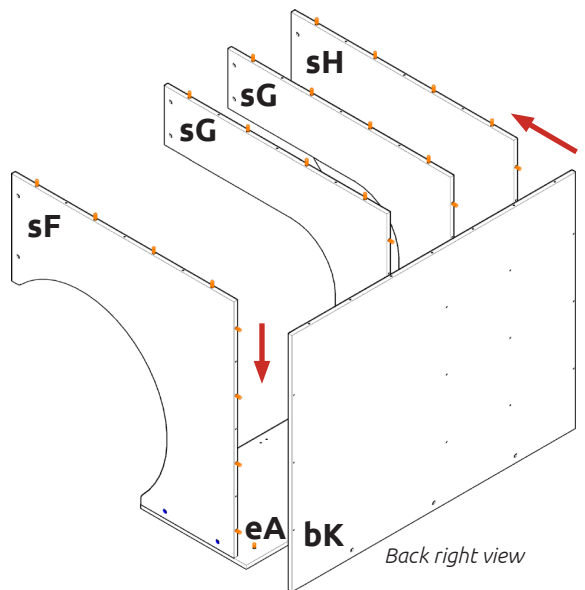
Seat 8 wooden dowels (F) per panel into holes in panels (sF), (sG) and (sH) and 4 wooden dowels (F) into holes in end panel (eA) as shown.



### Step 23.

Attach back panel (bK) to end panel (eA) and panels (sF), (sG), (sH), using cam dowels (W) (in blue) and wooden dowels (F) (in orange) in positions as shown.

Once back panel (bK) is in position, ensure it is flush & square with bottom of end panel (eA).



### Step 24.

Insert 3 cam locks (H) into holes in back panel (bK) as shown. Do NOT tighten until step 33.



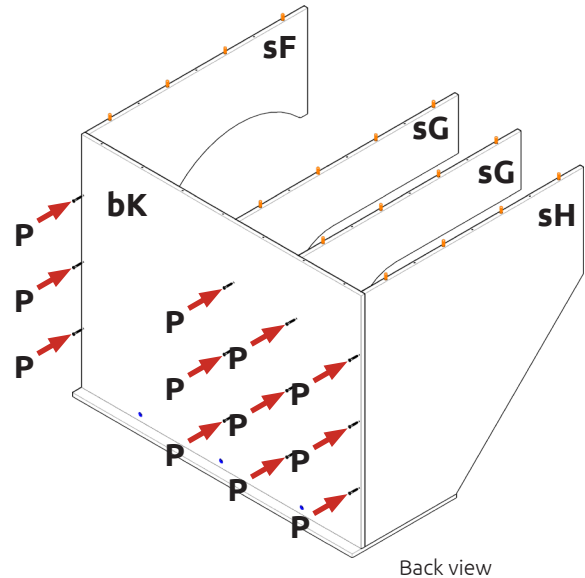
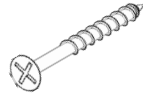
Do **not** use power tools with cam dowel (W) or cam lock (H)

# TOWER UNIT

## 2070 & 2250 Diagonal Corner Office Assembly Guide

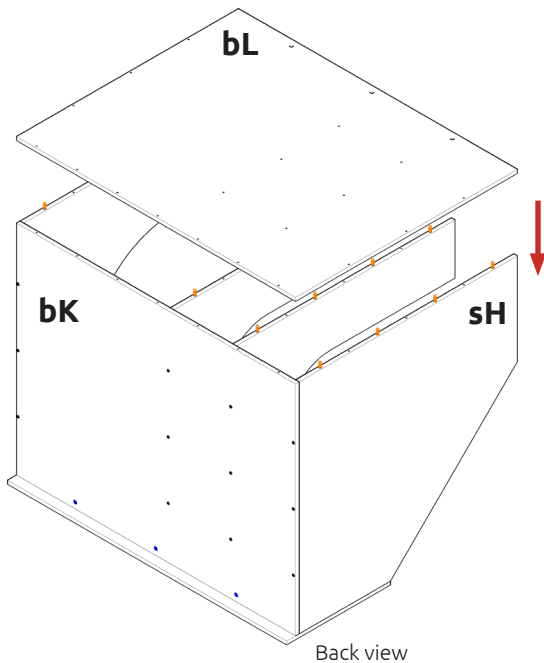
### Step 25.

Secure back panel (**bK**) to panels (**sF**), (**sG**) and (**sH**), using 12 x 45mm screws (**P**) as shown.



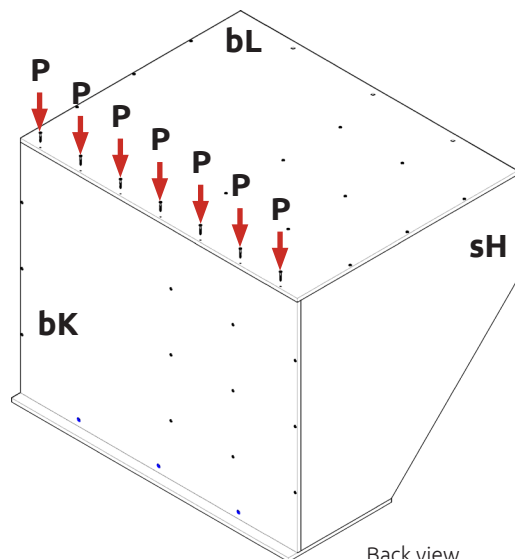
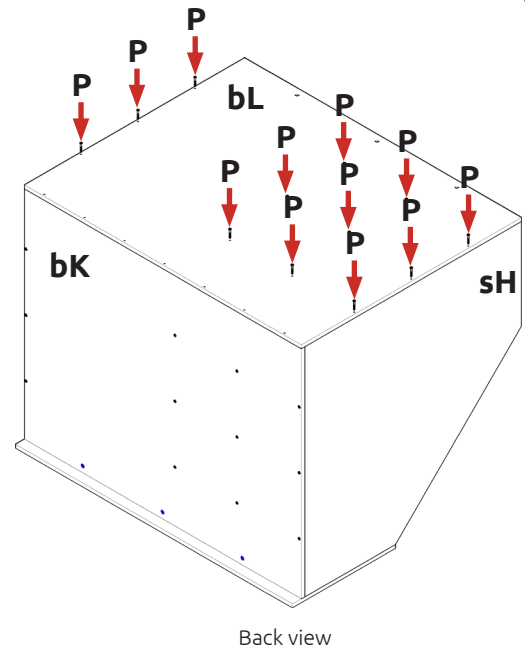
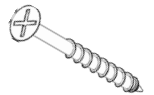
### Step 26.

Attach back panel (**bL**) to panels (**sF**), (**sG**), (**sH**), using wooden dowels (**F**) (in orange) in positions as shown.



### Step 27.

Secure back panel (**bL**) to panels (**sF**), (**sG**) and (**sH**), using 12 x 45mm screws (**P**) as shown.

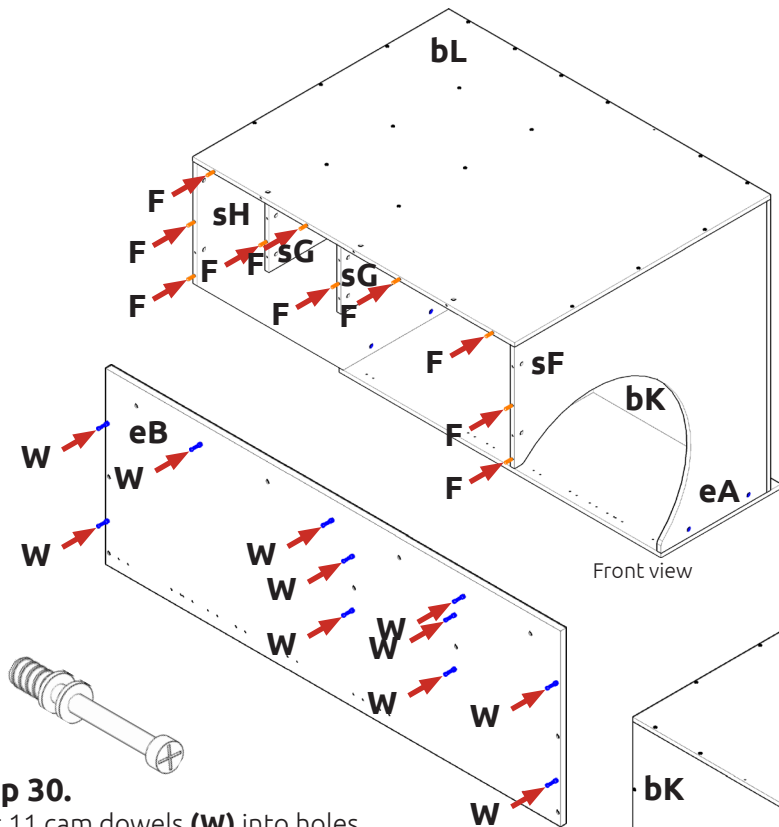


### Step 28.

Secure back panel (**bL**) to back panel (**bK**), using 7 x 45mm screws (**P**) as shown.







### Step 29.

Seat 2 wooden dowels (**F**) per panel into holes in panel (**sF**) and (**sH**) as shown.

Seat 1 wooden dowel (**F**) per panel into hole in panels (**sG**) as shown.

Seat 4 wooden dowels (**F**) into holes in back panel (**bL**) as shown.

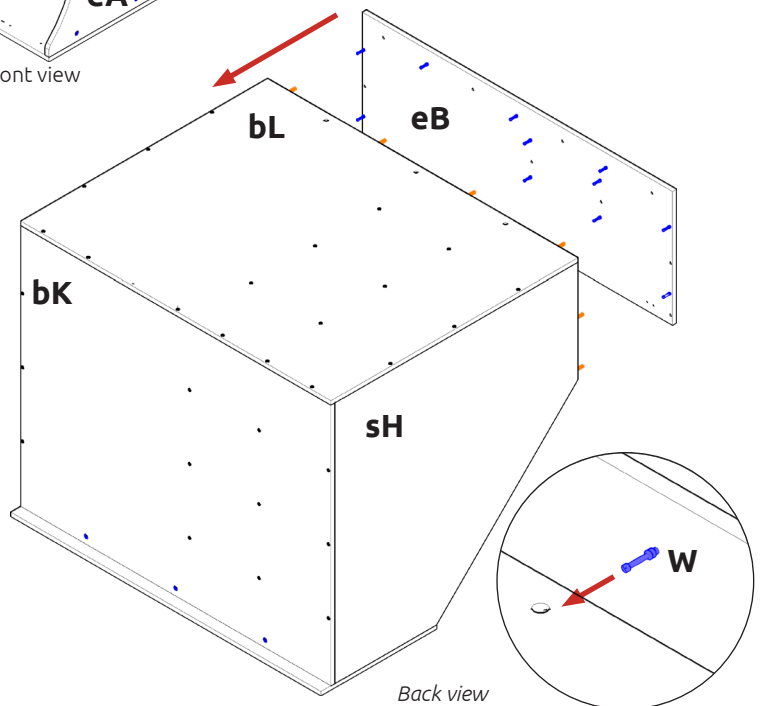
### Step 30.

Seat 11 cam dowels (**W**) into holes in end panel (**eB**) as shown.

### Step 31.

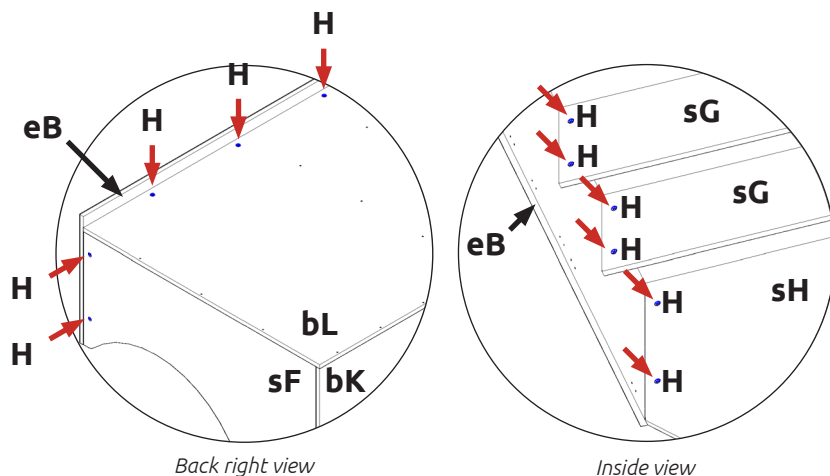
Attach end panel (**eB**) to back panel (**bL**) and panels (**sF**), (**sG**), (**sH**), using cam dowels (**W**) (in blue) and wooden dowels (**F**) (in orange) in positions as shown.

Do **not** use power tools with cam dowel (**W**) or cam lock (**H**)



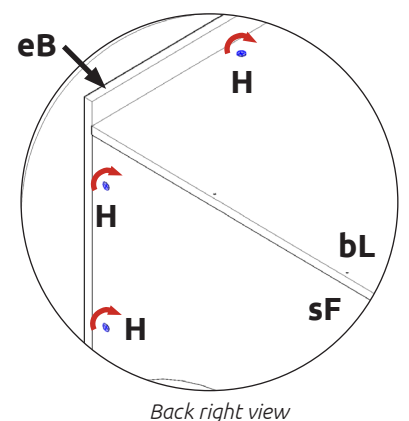
### Step 32.

Insert 3 cam locks (**H**) into holes in back panel (**bL**) and 2 cam locks (**H**) per panel in panels (**sF**), (**sG**), (**sH**).



### Step 33.

Hand tighten all cam locks (**H**). This will expand cam dowels (**W**) and tighten the unit together.

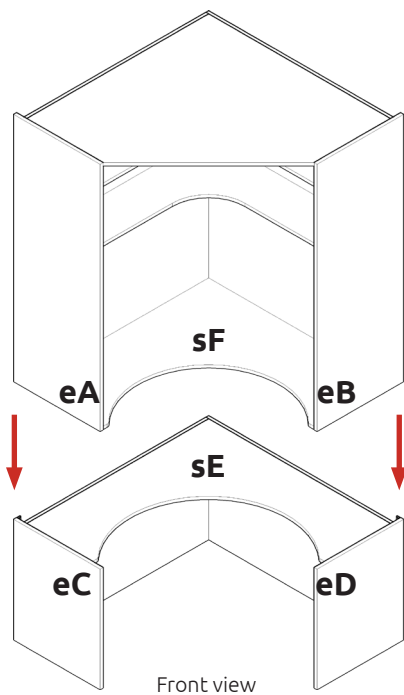


# TOWER UNIT

## 2070 & 2250 Diagonal Corner Office Assembly Guide

### Step 34.

Make sure bottom unit is attached to walls.  
Place top unit on bottom unit, ensure end panel (eA) is flush with end panel (eC) and end panel (eB) is flush with end panel (eD).

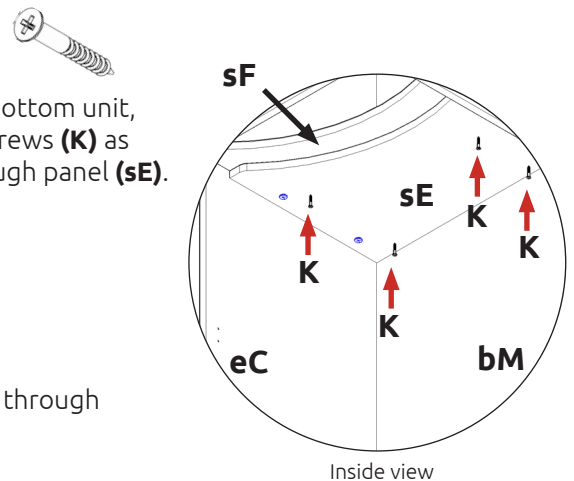


### Step 35.

Secure top unit to bottom unit, using 10 x 30mm screws (K) as shown. Screw through panel (sE).

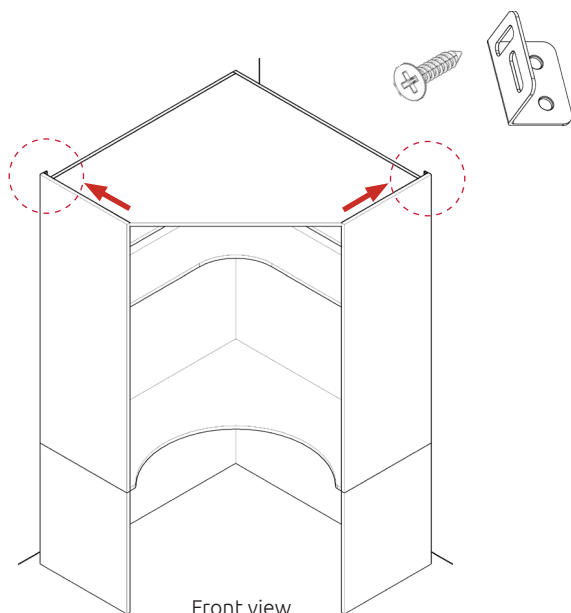
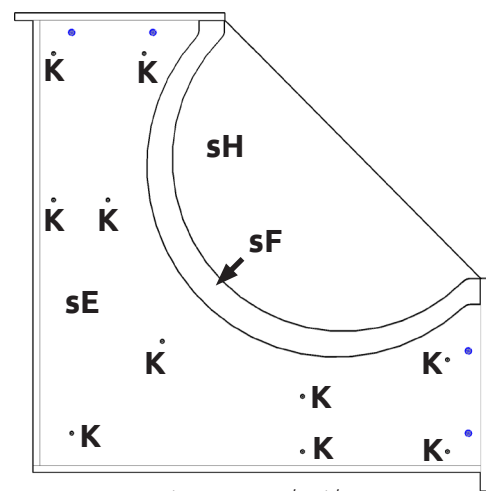


DO NOT screw through panel (sF).

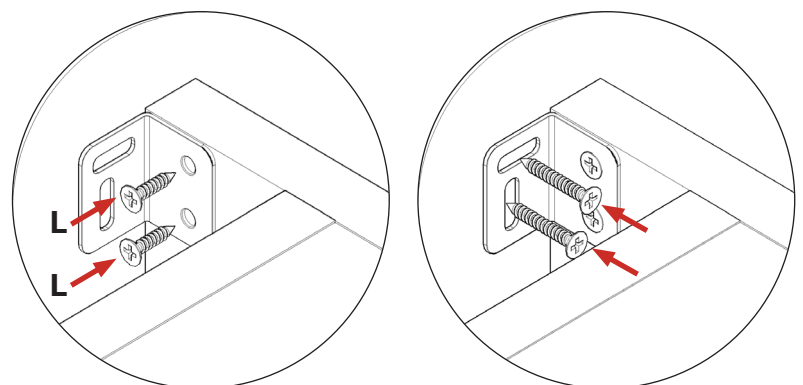


### Step 36.

Once top and bottom units are connected, secure top unit to wall, using L brackets LGE. Use 2 x 15mm screws (L) to secure each of the L brackets LGE to the end panel at either side. Then screw through into the wall as shown.



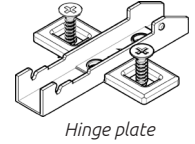
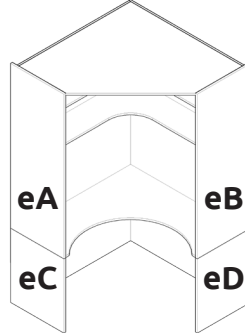
Screws for fixing to walls are not provided as these vary depending on your wall material and construction. Ensure appropriate fixings for wall constructions are used.



### Step 37.

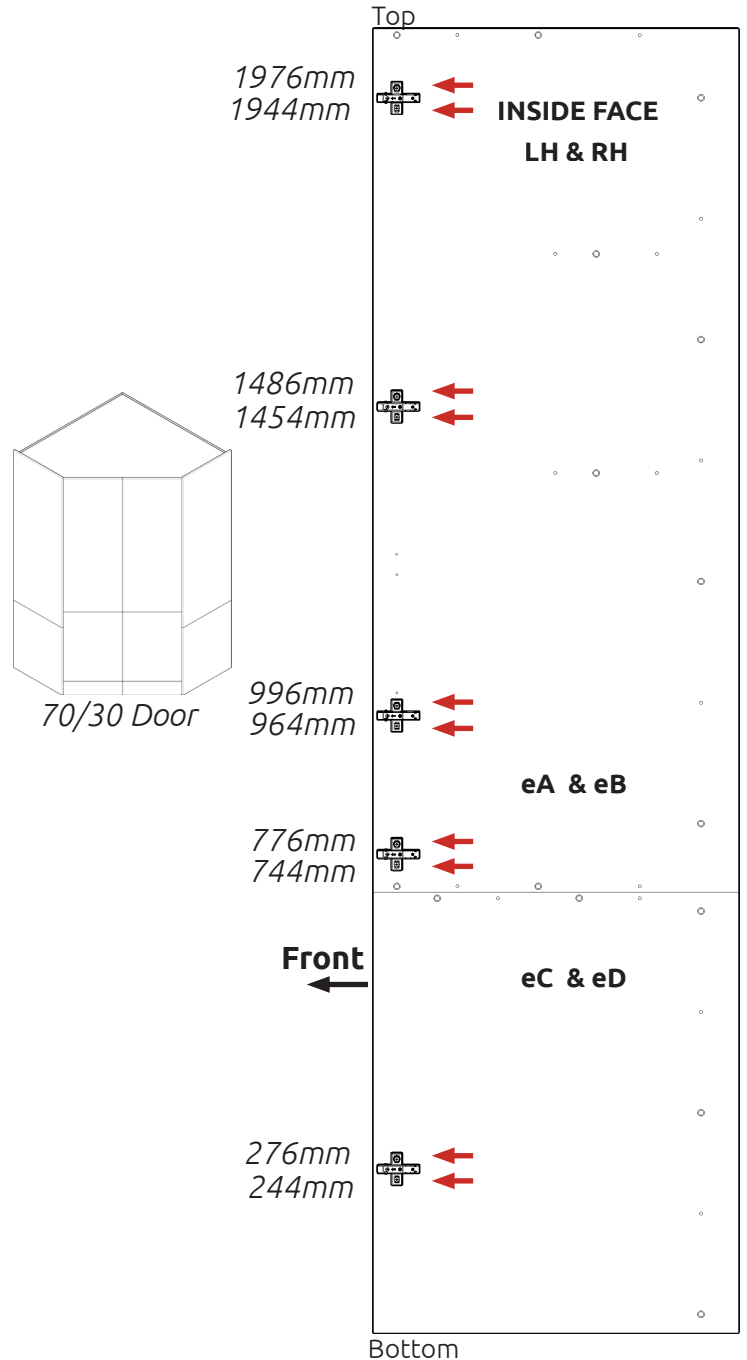
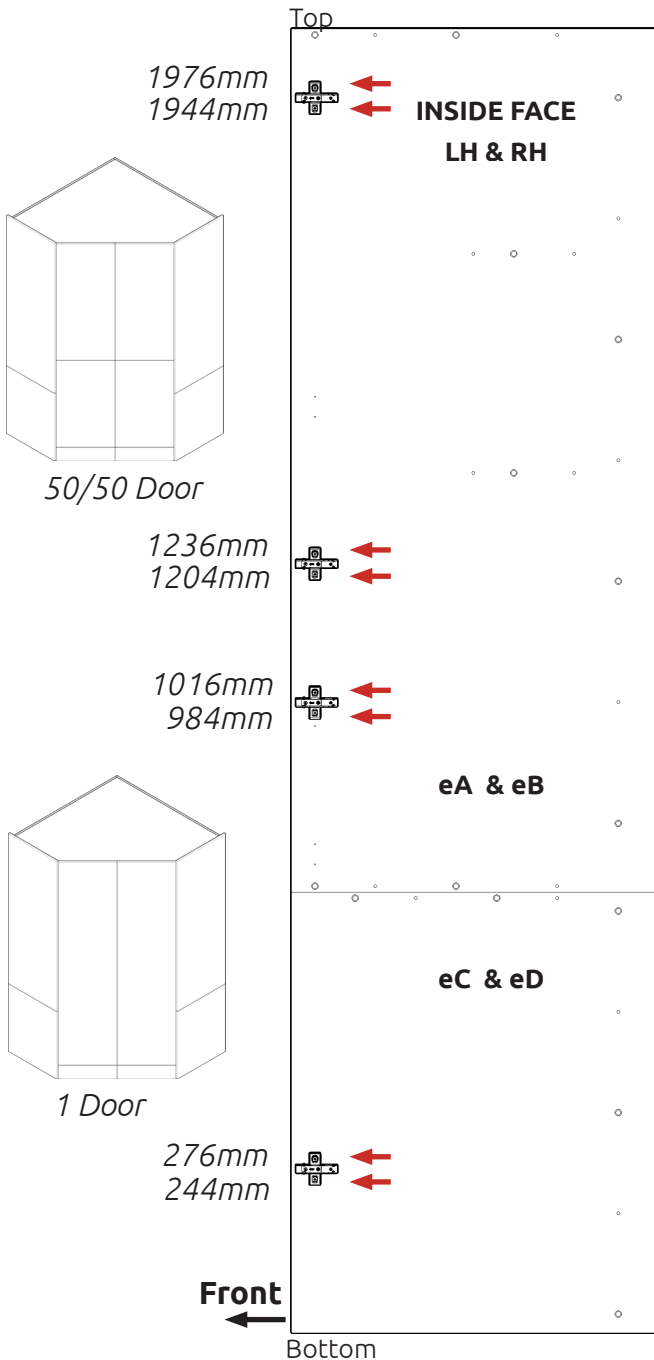
Attach hinge plates to the inside face of end panels on the left side (**eA**) and (**eC**) and end panels on the right side (**eB**) and (**eD**) to suit as shown.

**Hinge side to be mounted in accordance to customer specific kitchen plan.**



#### 2070mm unit 50/50 Door and 1 Door HINGE POSITION

#### 2070mm unit 70/30 Door HINGE POSITION



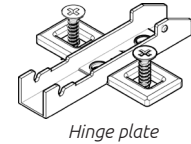
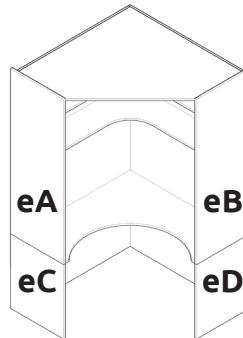
# TOWER UNIT

## 2070 & 2250 Diagonal Corner Office Assembly Guide

### Step 37.

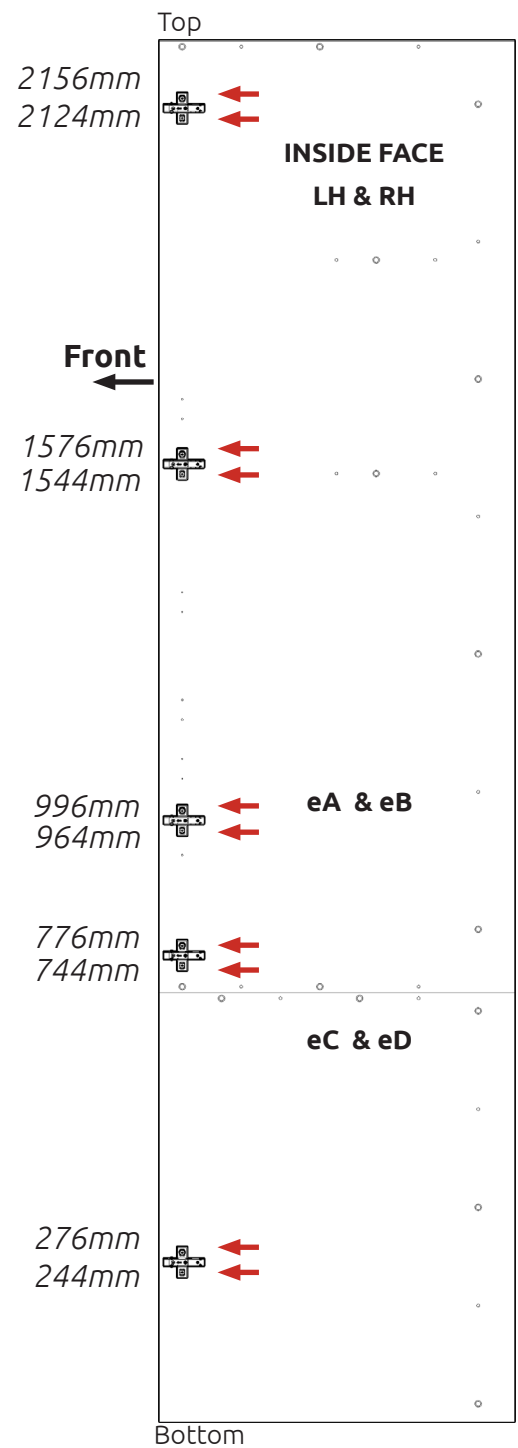
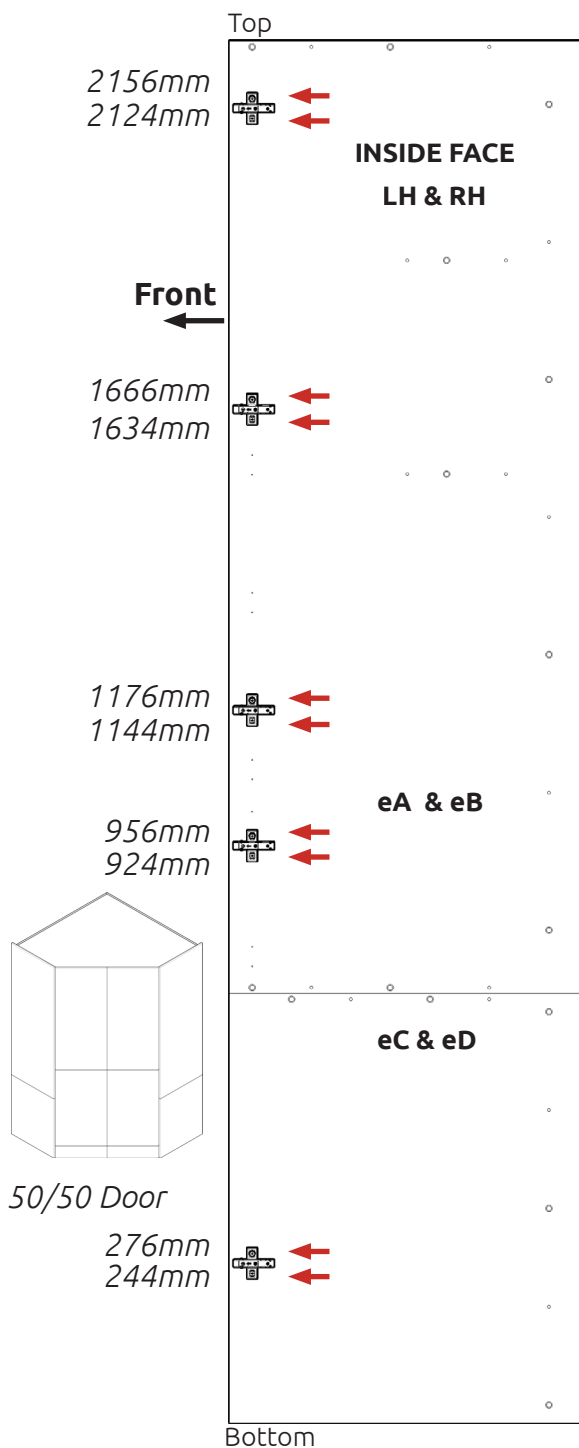
Attach hinge plates to the inside face of end panels on the left side (**eA**) and (**eC**) and onto end panels on the right side (**eB**) and (**eD**) to suit as shown.

Hinge side to be mounted in accordance to customer specific kitchen plan.



2250mm unit  
50/50 Door  
HINGE POSITION

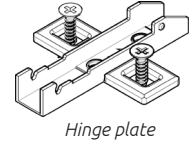
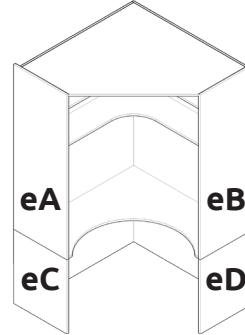
2250mm unit  
70/30 Door  
HINGE POSITION



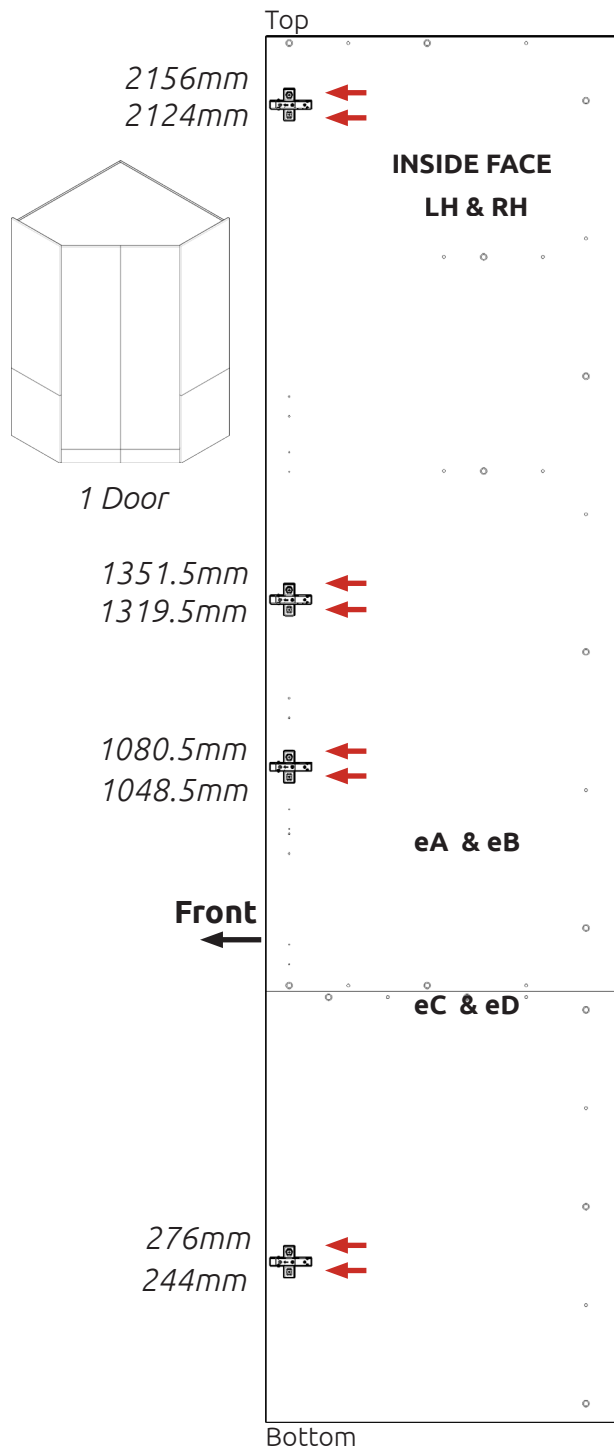
**Step 37.**

Attach hinge plates to the inside face of end panels on the left side (**eA**) and (**eC**) and onto end panels on the right side (**eB**) and (**eD**) to suit as shown.

**Hinge side to be mounted in accordance to customer specific kitchen plan.**



**2250mm unit  
1 Door  
HINGE POSITION**



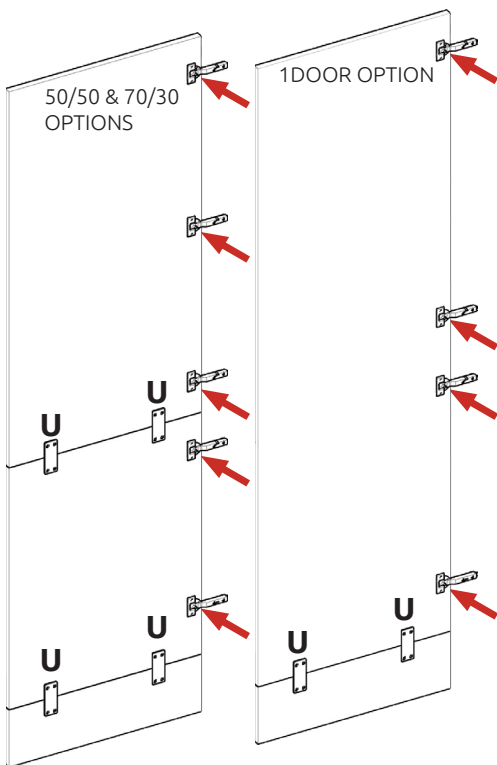
# TOWER UNIT

## 2070 & 2250 Diagonal Corner Office Assembly Guide

### Door Frontal Fixing (Where Applicable)

#### Grass Hinge

Doors supplied in accordance to customer specific kitchen plan



#### Step 1.

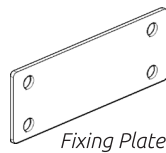
Insert hinges into hinge holes provided, in accordance with customer specific kitchen plan.

#### Step 2.

Secure hinges with the 2 x screws already located in the hinges.

#### Step 3. (Where applicable)

Align doors to join together using 2 x fixing plates to the back of both frontals. Ensure a 4mm gap is maintained between each frontal. Screw in place using 4 x 15mm screws per fixing plate.



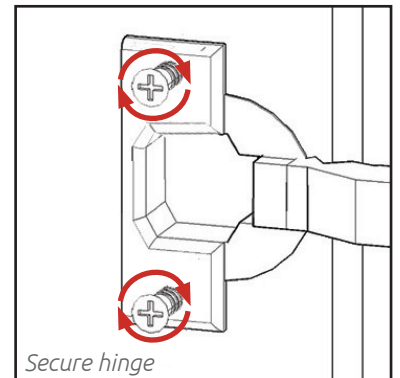
Fixing Plate

#### Step 4.

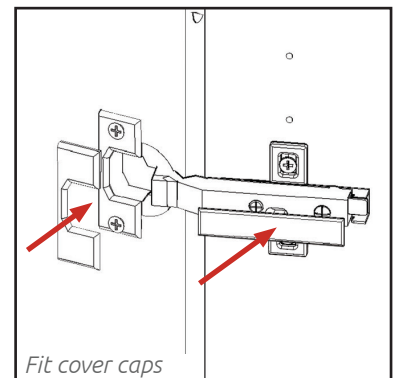
Attach the door to unit, clip hinge onto hinge plate and click to secure.



Hinge dowels



Secure hinge

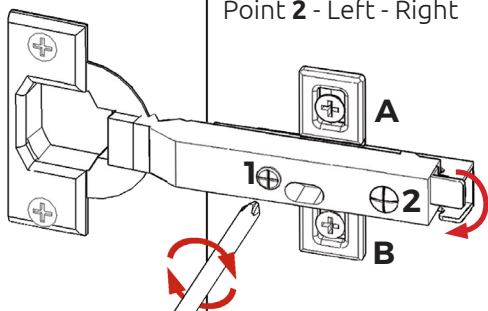


Fit cover caps

### FRONTAL HINGE ADJUSTMENT

To **adjust** hinge using a screw driver, tighten or loosen as required at points **1 & 2**.

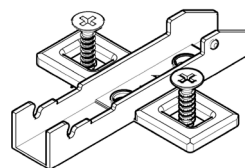
Point **1** - In - Out  
Point **2** - Left - Right



To **Move** the hinge up/down, loosen screws **A + B**, manoeuvre the door, then re-tighten the screws

To **Release** door pull catch as shown, to release hinge from the hinge plate.

View from Inside of Unit



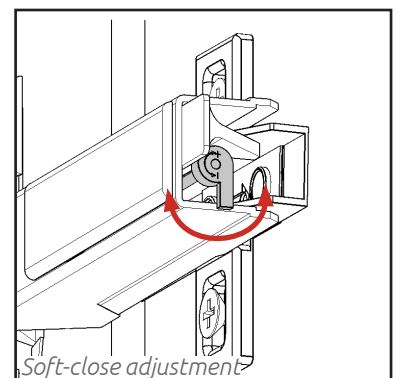
Hinge Plate

#### Step 5.

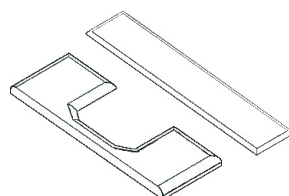
Adjust hinge to suit. As shown on the left.

#### Step 6.

Fit cover caps to hinge. Adjust soft-close to suit.



Soft-close adjustment



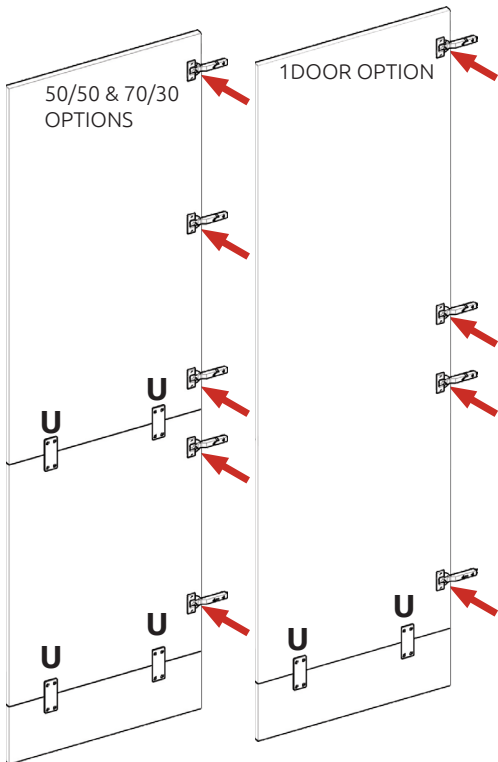
Hinge cover caps

The top and bottom hinges **MUST** be adjusted to the **SAME STRENGTH**.

## Door Frontal Fixing (Where Applicable)

### Titus Hinge

Doors supplied in accordance to customer specific kitchen plan



#### Step 1.

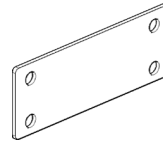
Insert hinges into hinge holes provided, in accordance with customer specific kitchen plan.

#### Step 2.

Secure hinges with the 2 x screws already located in the hinges.

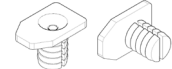
#### Step 3. (Where applicable)

Align doors to join together using 2 x fixing plates to the back of both frontals. Ensure a 4mm gap is maintained between each frontal. Screw in place using 4 x 15mm screws per fixing plate.

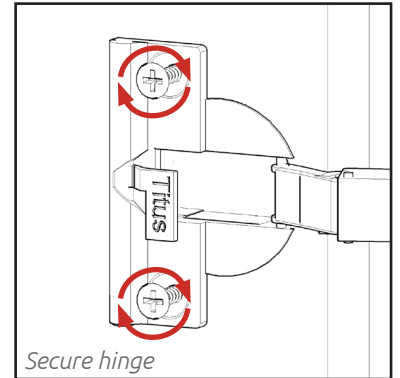


#### Step 5.

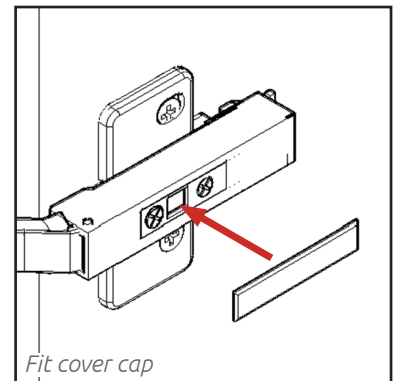
Attach the door to unit, clip hinge onto hinge plate and click to secure.



Hinge dowels



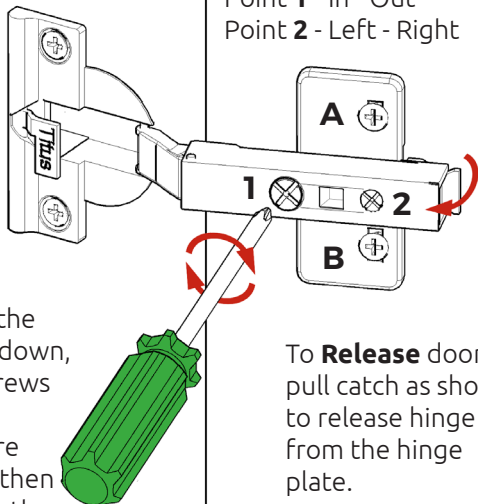
Secure hinge



Fit cover cap

### FRONTAL HINGE ADJUSTMENT

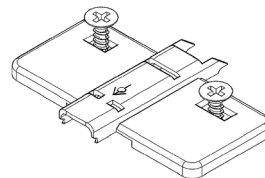
To **adjust** hinge using a screw driver, tighten or loosen as required at points **1 & 2**.  
Point **1** - In - Out  
Point **2** - Left - Right



To **Move** the hinge up/down, loosen screws **A + B**, manoeuvre the door, then re-tighten the screws

To **Release** door pull catch as shown, to release hinge from the hinge plate.

View from Inside of Unit



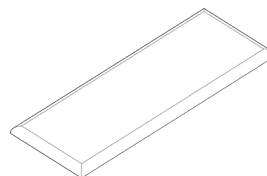
Hinge plate

#### Step 6.

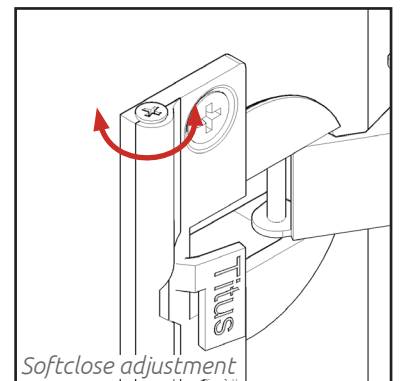
Adjust hinge to suit. As shown on the left.

#### Step 7.

Fit cover cap to hinge. Adjust softclose to suit.



Hinge cover cap



Softclose adjustment

The top and bottom hinges **MUST** be adjusted to the **SAME STRENGTH**.

**wren**  
KITCHENS