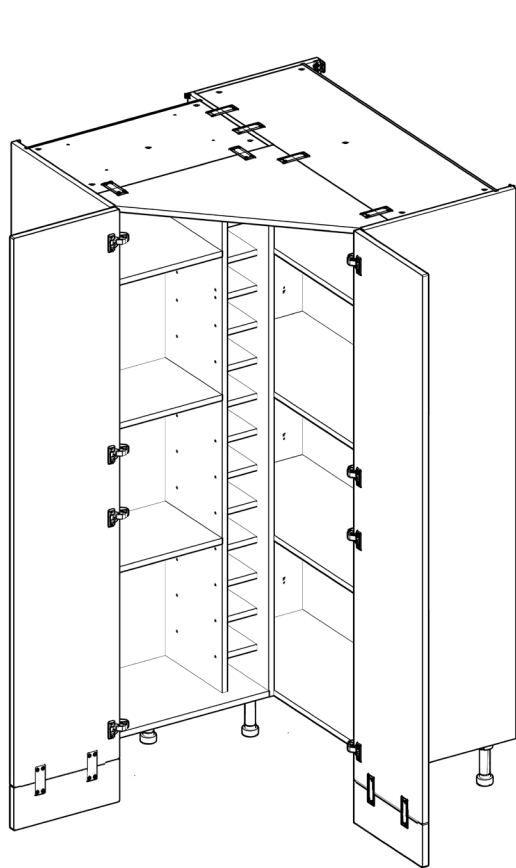
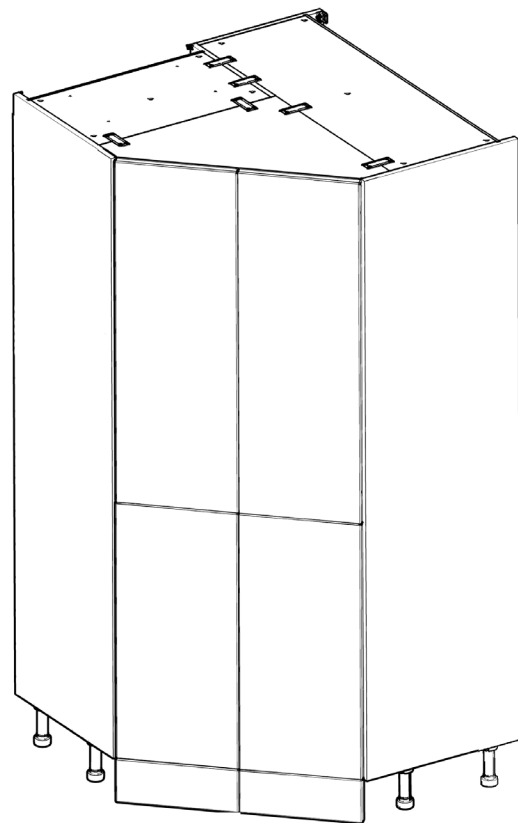


TOWER UNIT

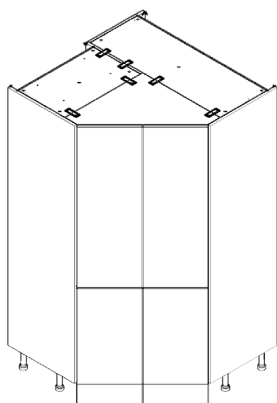
2070 & 2250 Diag Corner Larder with Wine Rack Assembly Guide



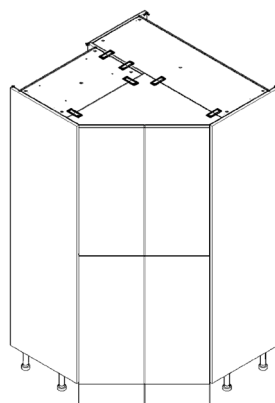
2070 x 600



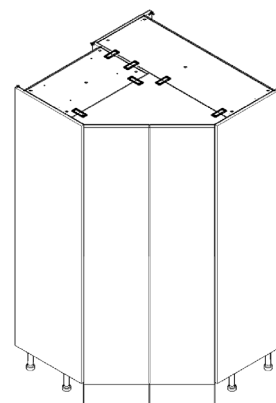
2250 x 600 Tall



70/30 Door



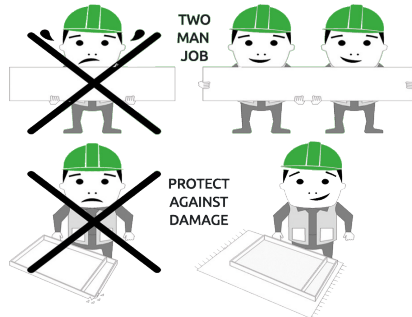
50/50 Door



1 Door

TOWER UNIT

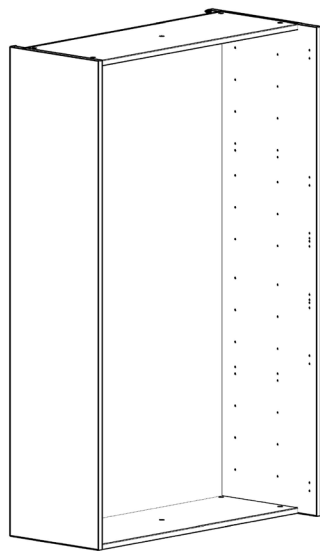
2070 & 2250 Diag Corner Larder with Wine Rack Assembly Guide



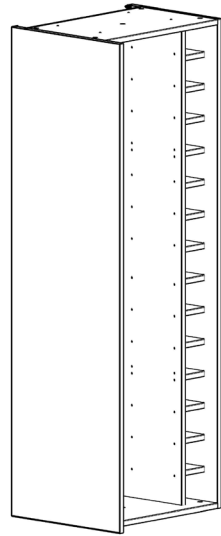
BEFORE YOU START

INSTALLATION SHOULD BE PERFORMED BY A COMPETENT PERSON ONLY.

THIS PRODUCT COULD BE DANGEROUS IF INCORRECTLY INSTALLED



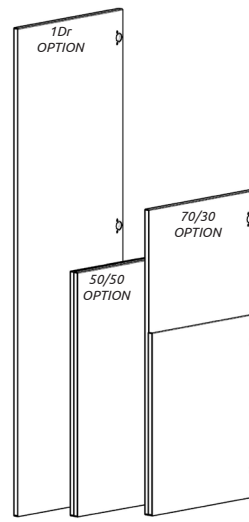
Unit (RH)
Right Hand



Unit (LH)
Left Hand



Panel C
x1 Top Panel



Frontals
50/50 or 1Dr or 70/30
(Packed Separately)



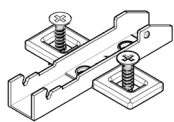
Frontal Plinth
(To order)



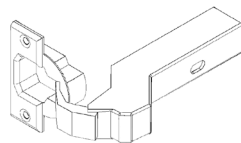
Unit Plinth
(To order)



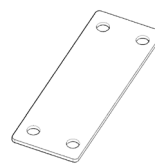
Legs
x10



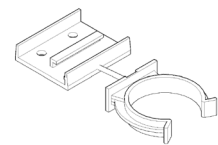
Hinge Mounting Plate
(To order) Inc Screws



Hinge
(To order) Inc Screws



Fixing Plate (U)
x19



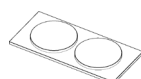
Plinth Attachment
(To order)



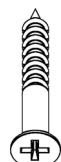
L Bracket LGE
x4



(FF) L Bracket SML
x6



Door Buffer
x4



(K) x6
30mm Screw



(L) x142
15mm Screw



Metal Shelf Peg
x56



(M) x8
Cover Cap
(Per Colour)

REQUIRED TOOLS



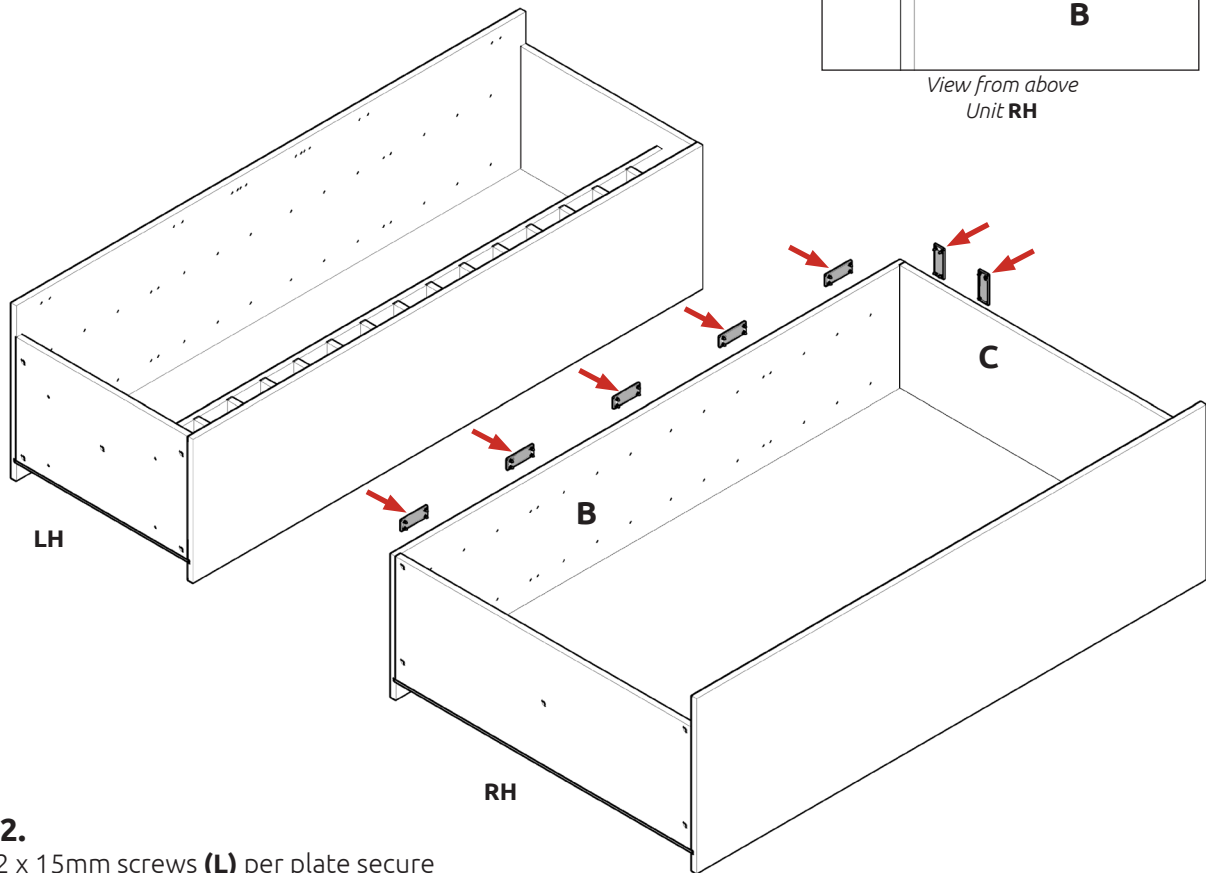
NOT to be used with CAM DOWEL & CAM LOCK



Step 1.

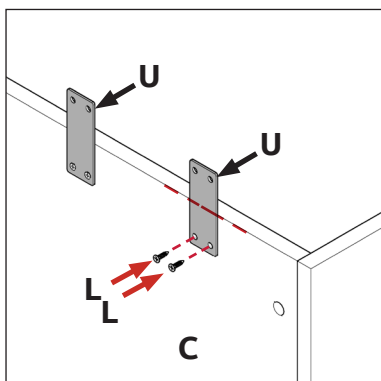
Lay both units (LH) & (RH) flat as shown.

Secure 5 x fixing plate (U) positioned onto outside face of panel (B) of unit (RH) equally spaced using 2 x 15mm screws (L) as shown.

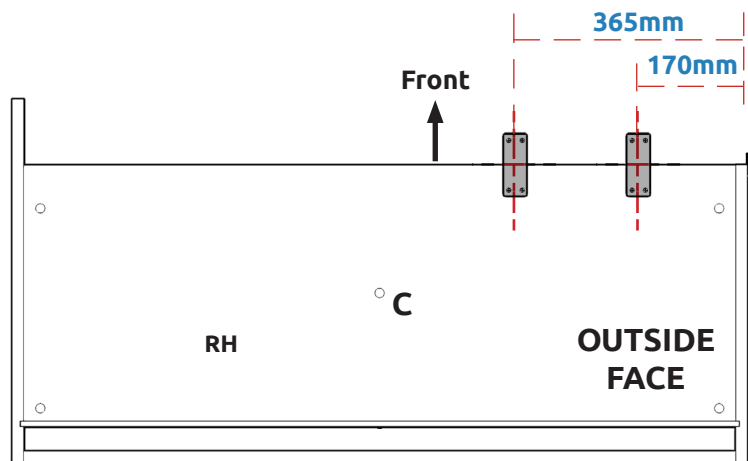


Step 2.

Using 2 x 15mm screws (L) per plate secure 2 x fixing plate (U) positioned onto outside face of panel (C) of unit (RH) using measurements shown.



View from above
Unit RH



View from Above
Fixing Plate diagram

TOWER UNIT

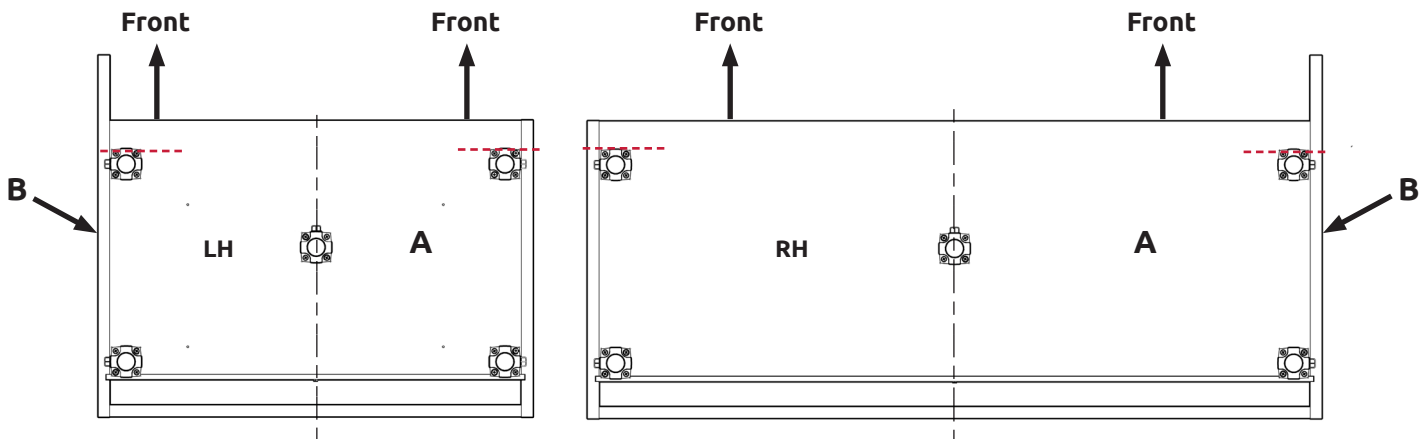
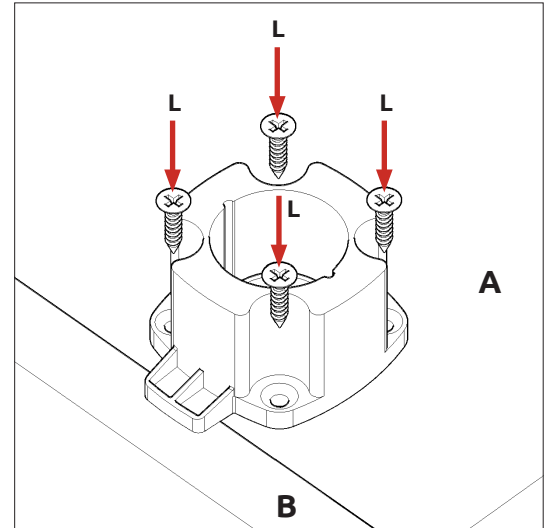
2070 & 2250 Diag Corner Larder with Wine Rack Assembly Guide

Step 3.

Secure leg base into place with 4 x 15mm screws (L) per leg as shown.

Ensure legs are rotated to also provide support to the end panels (B).

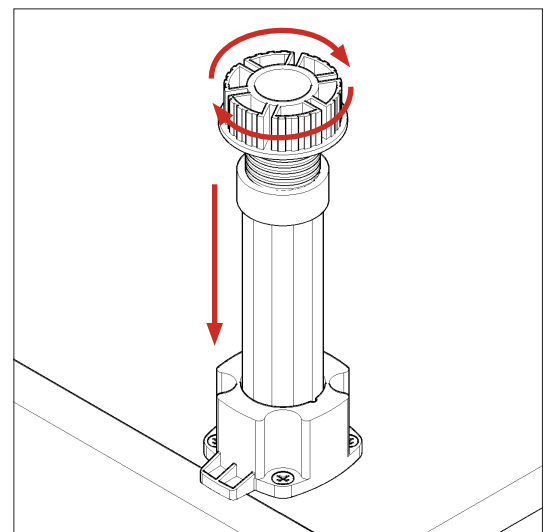
Front legs should have flat edge to the front.



View From Underside
Leg position diagram

Step 5.

Push leg firmly down into leg base.
Adjust legs to 155mm before turning both units upright. Once in situ level accordingly.

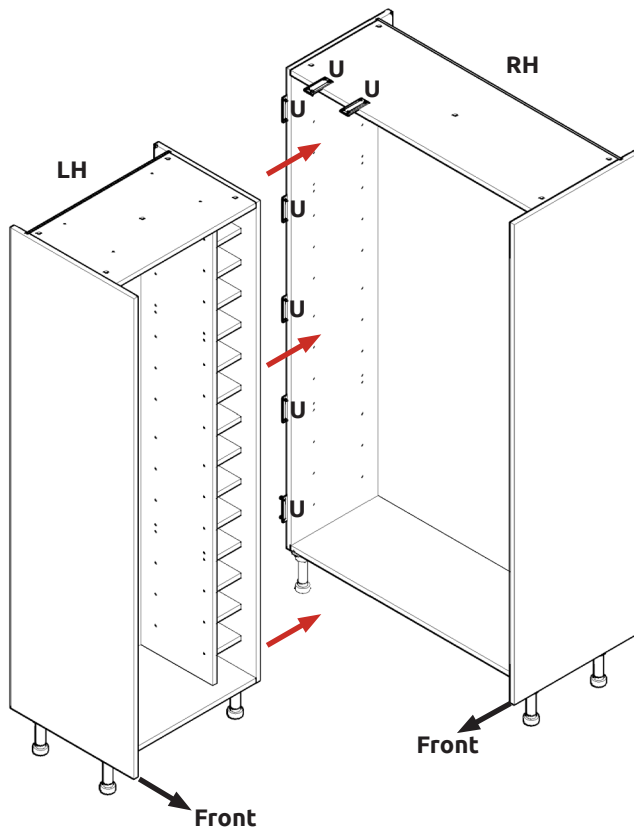


It is **important** to lift unit onto its legs. Do not tilt as depicted in image.

Step 6.

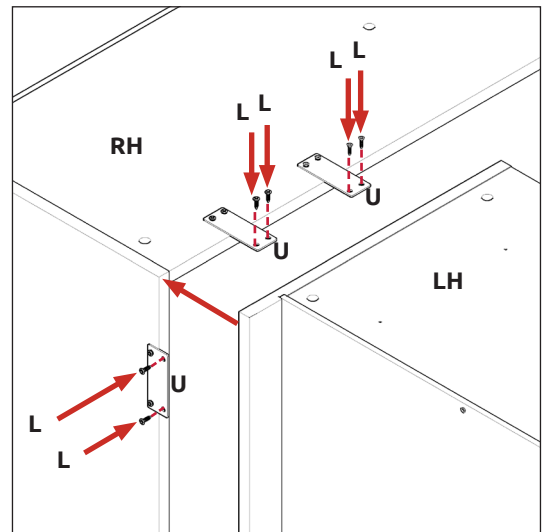
Position unit **LH** and unit **RH** together as shown.

Ensure units are flush & square.



Step 7.

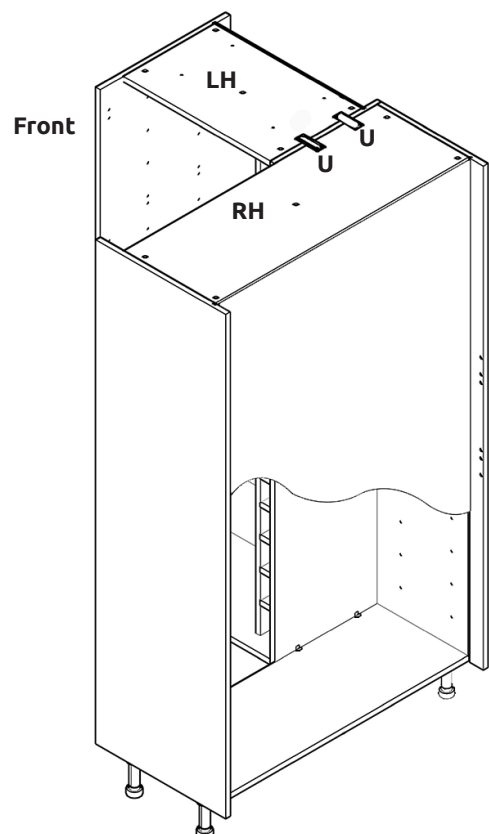
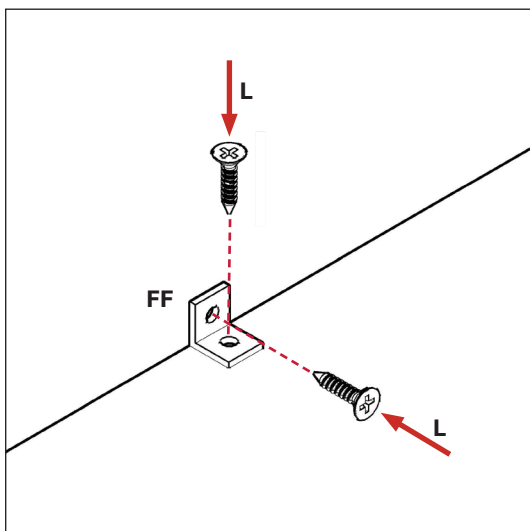
Screw through fixing plate (**U**) into adjoining unit **LH** using 2 x 15mm screws (**L**) to secure both units together. Repeat per fixing plate (**U**).



View from rear of unit

Step 8.

Align 2 x L bracket SML (**FF**) combined with 2 x 15mm screws (**L**) per bracket as shown. Secure from inside the unit as shown.

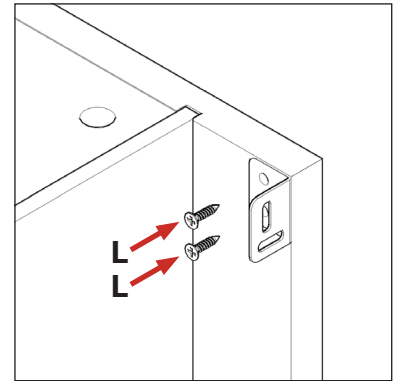
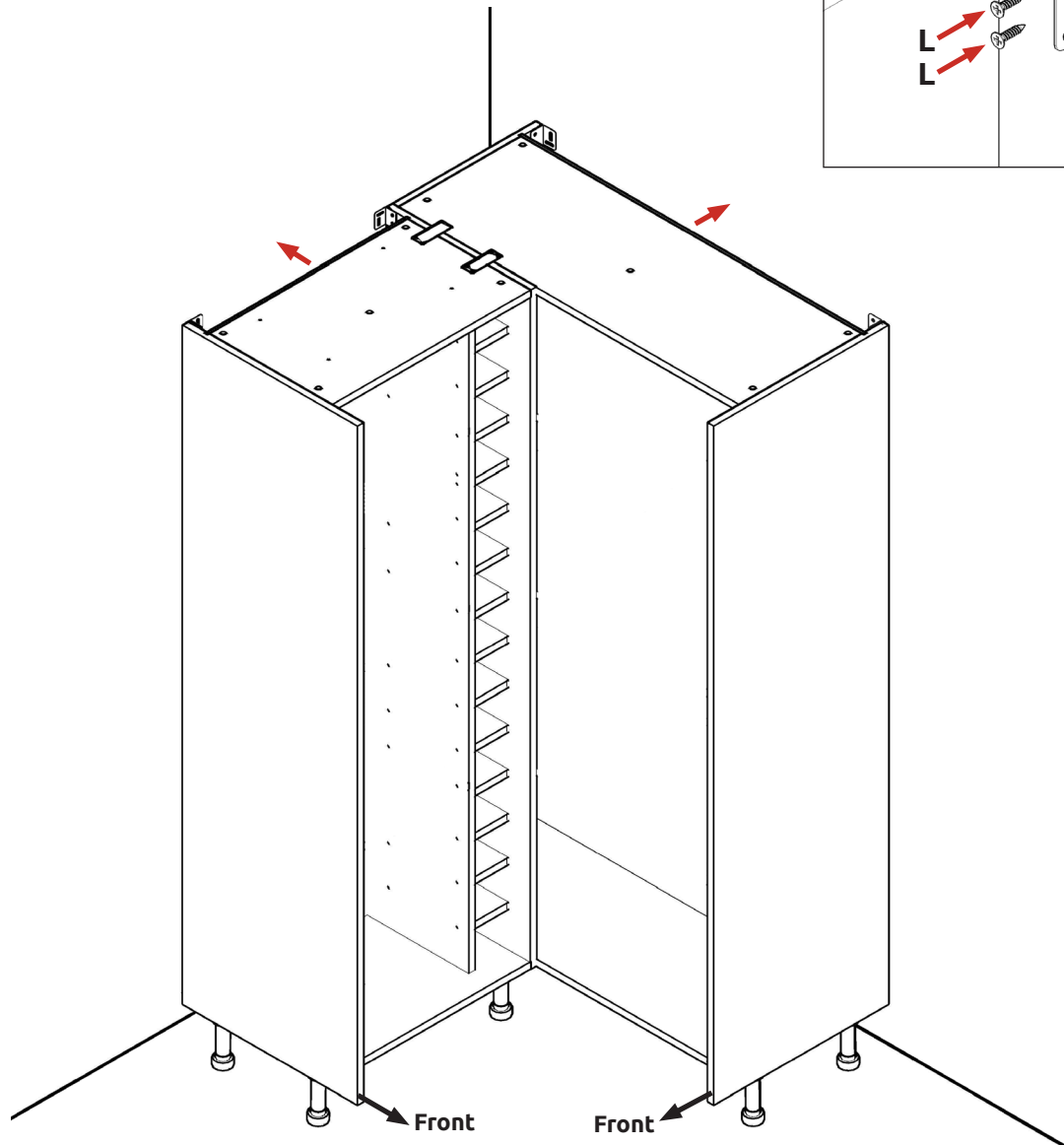


TOWER UNIT

2070 & 2250 Diag Corner Larder with Wine Rack Assembly Guide

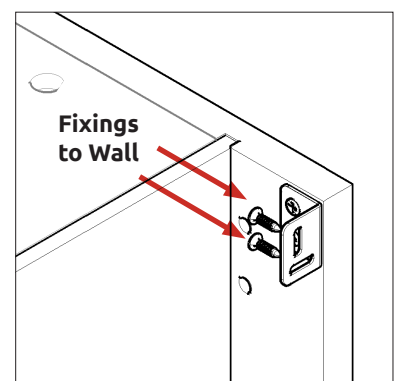
Step 9.

Use 2 x 15mm screws (**L**) to secure each of the 4 x L brackets (**LGE**) to both units positioned as shown.



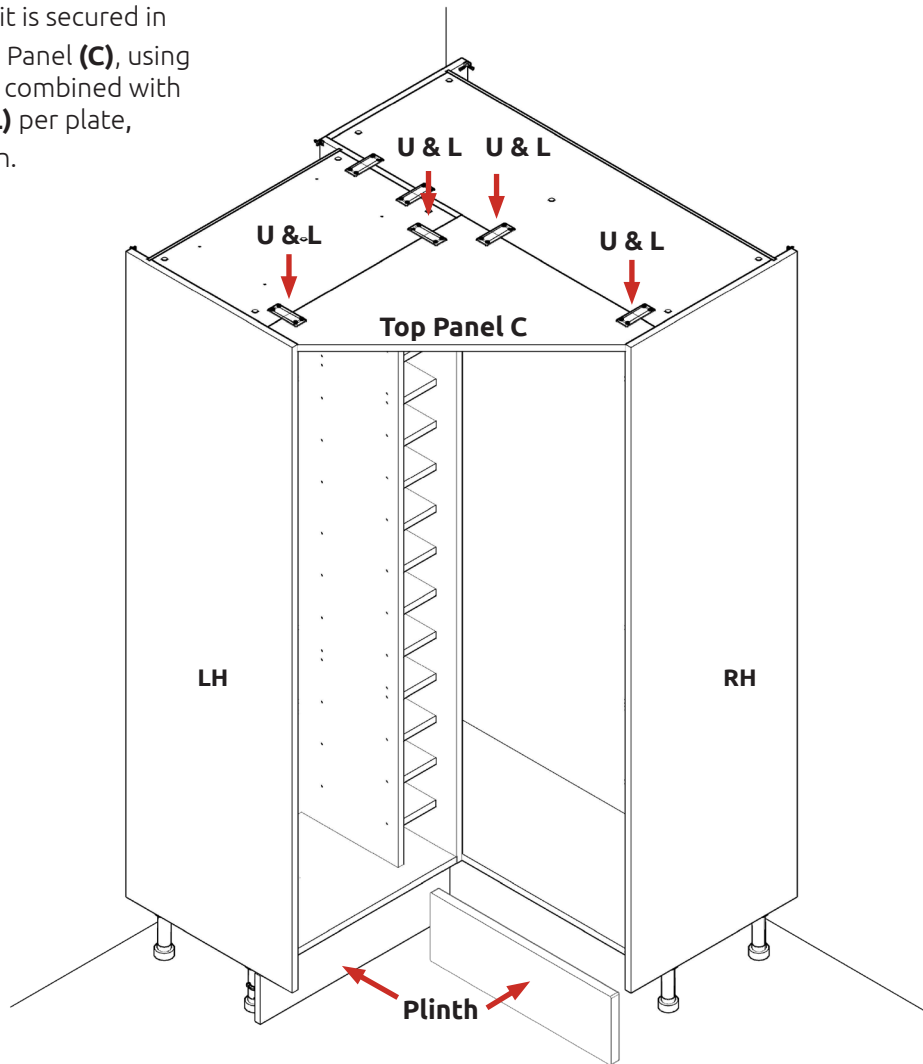
Step 10.

Screw through large L bracket (**LGE**) into the wall as shown. **Screws for fixing to walls are not provided as these vary depending on your wall material and construction. Ensure appropriate fixings for wall constructions are used.**



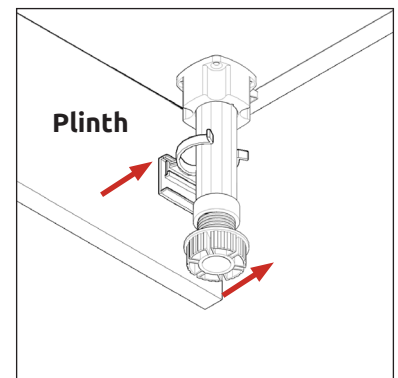
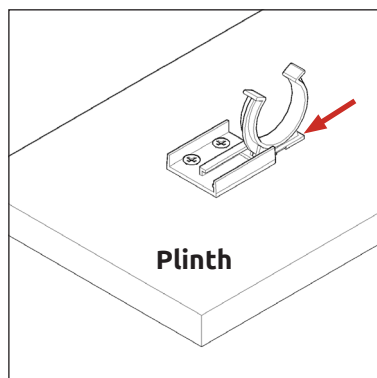
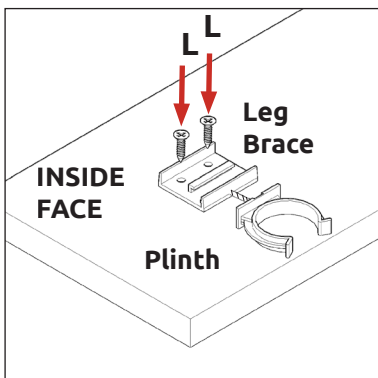
Step 11.

When combined unit is secured in position, attach top Panel (C), using 4 x fixing plates (U) combined with 4 x 15mm screws (L) per plate, positioned as shown.



Step 12.

Measure plinth and cut to suit the width of unit (LH) and again for (RH). Mark clip positions by aligning plinth sections to legs. Use 2 x 15mm screws (L) as shown to fix clip to plinth. Detach the leg clip from the plinth clip. Slide leg clip into plinth clip as shown.



Step 13.

Secure plinth by pushing clip firmly onto legs, as shown.

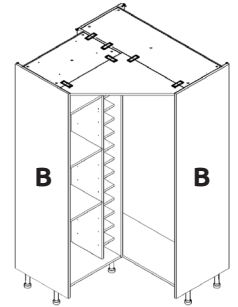
TOWER UNIT

2070 & 2250 Diag Corner Larder with Wine Rack Assembly Guide

Step 14.

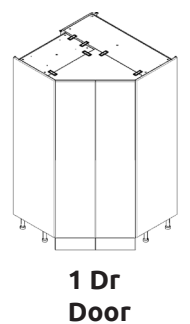
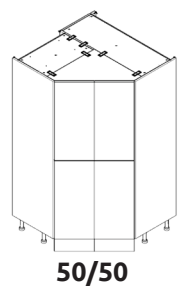
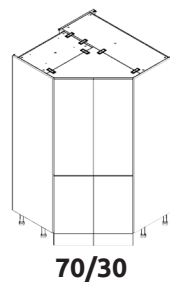
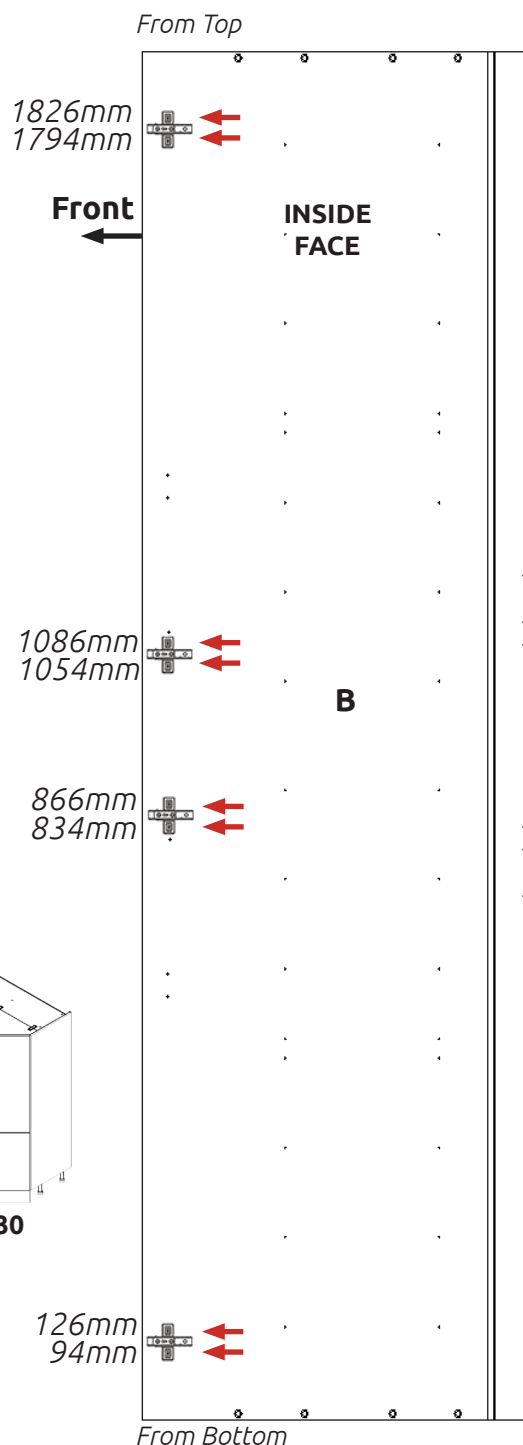
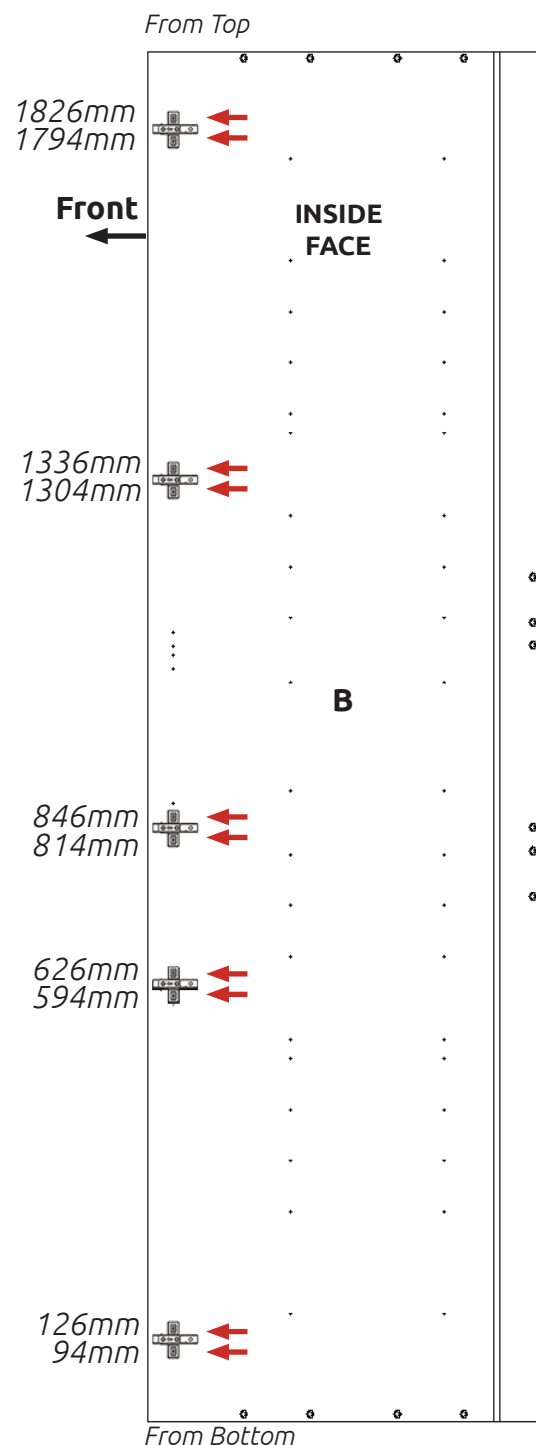
Attach hinge plates onto end panels (**B**) to suit as shown using 2 screws already positioned within the hinge plate.

Hinge side or sides to be mounted in accordance to Customer Specific Kitchen Plan.



70/30 HINGE POSITION

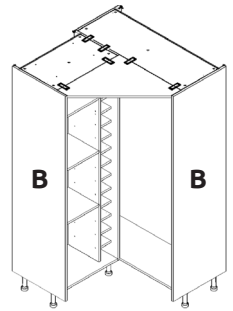
50/50 & 1 Door HINGE POSITION



Step 14.

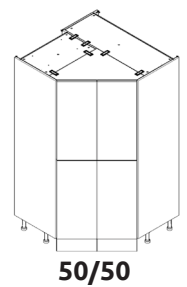
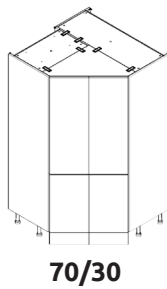
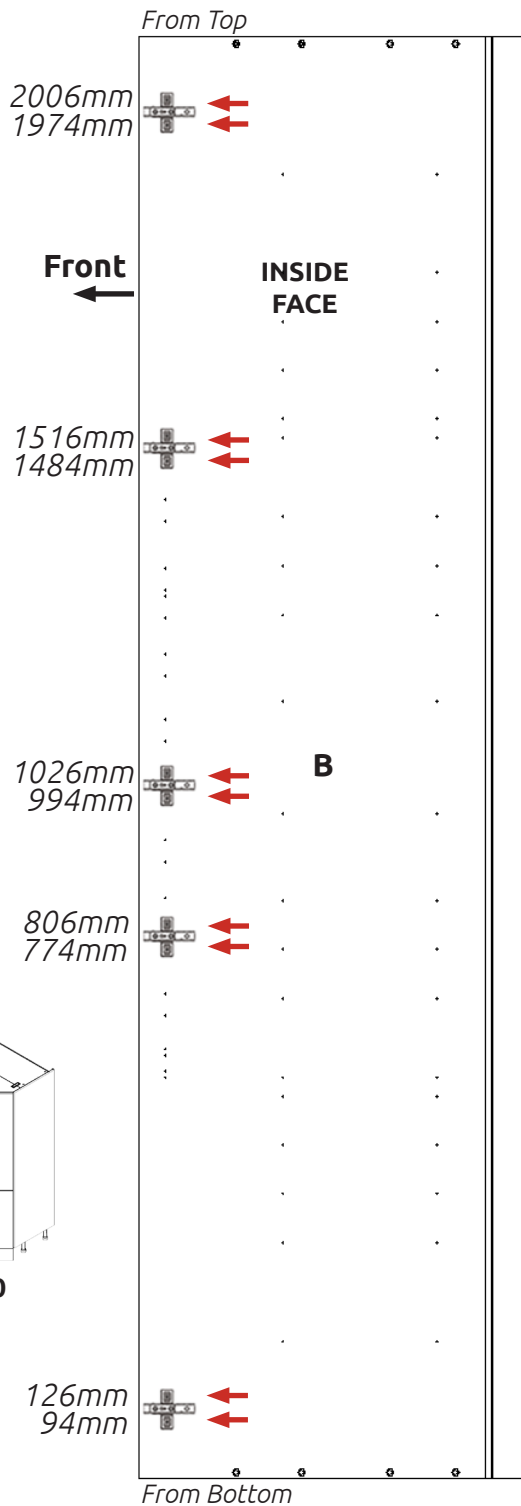
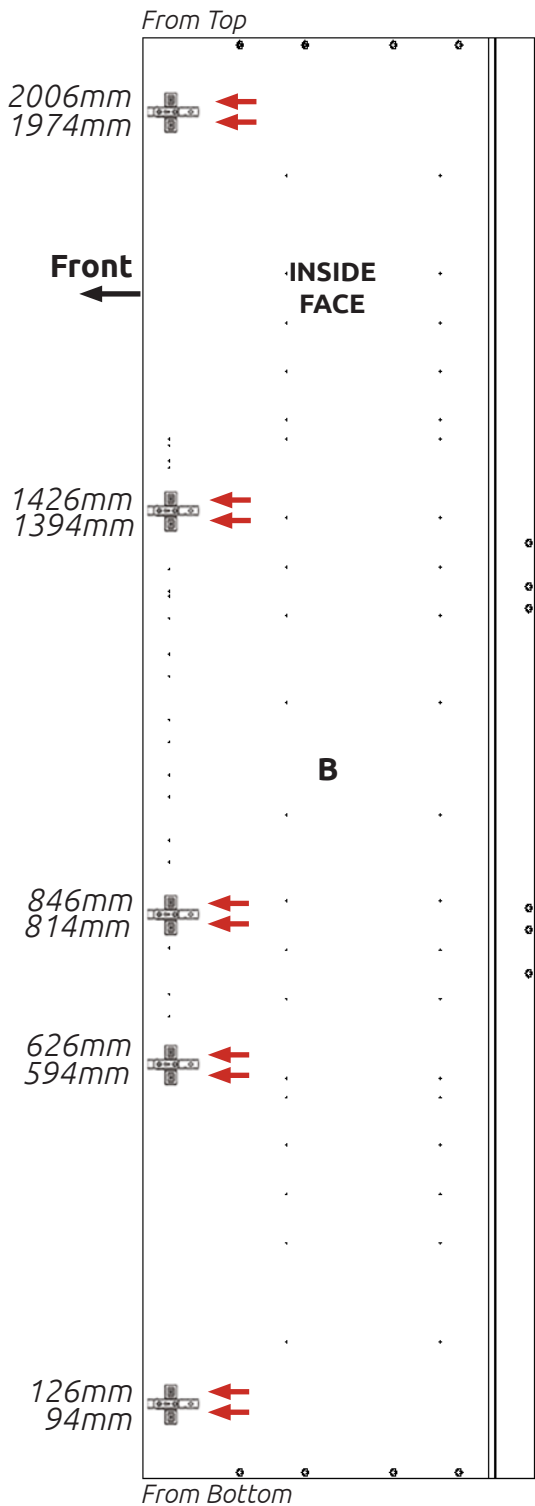
Attach hinge plates onto end panels (B) to suit as shown using 2 screws already positioned within the hinge plate.

Hinge side or sides to be mounted in accordance to Customer Specific Kitchen Plan.



**70/30
HINGE
POSITION**

**50/50
HINGE
POSITION**



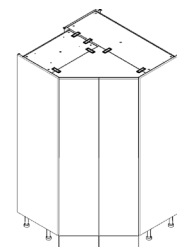
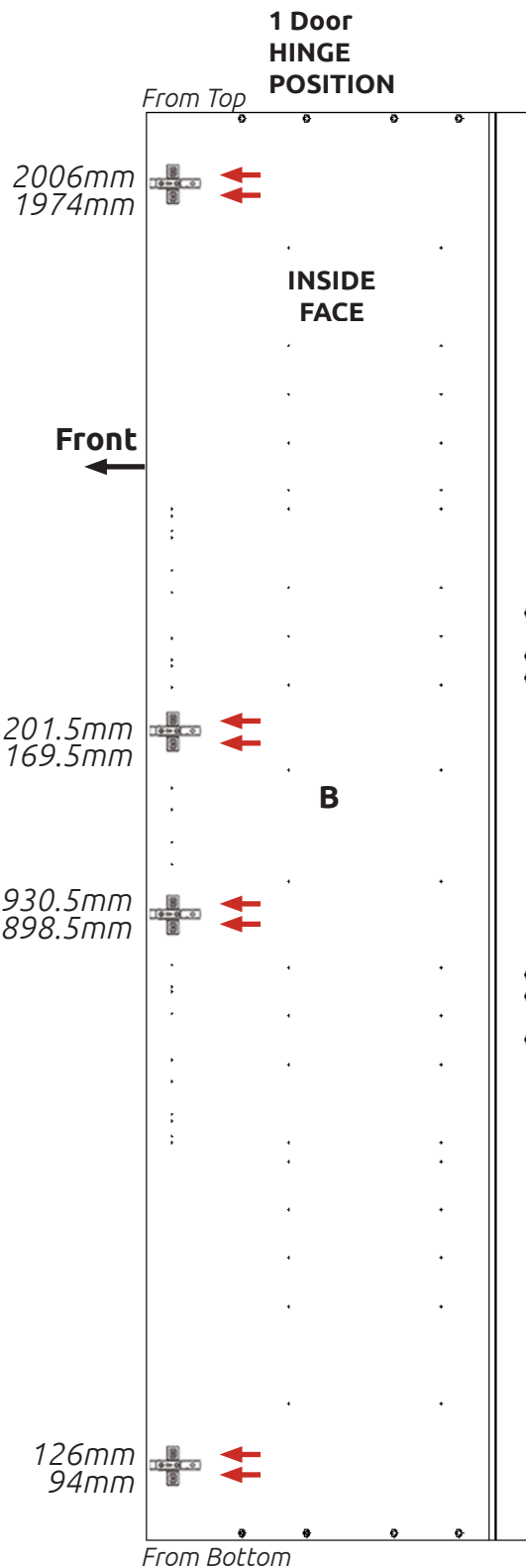
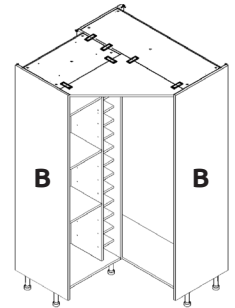
TOWER UNIT

2070 & 2250 Diag Corner Larder with Wine Rack Assembly Guide

Step 14.

Attach hinge plates onto end panels (**B**) to suit as shown using 2 screws already positioned within the hinge plate.

Hinge side or sides to be mounted in accordance to Customer Specific Kitchen Plan.

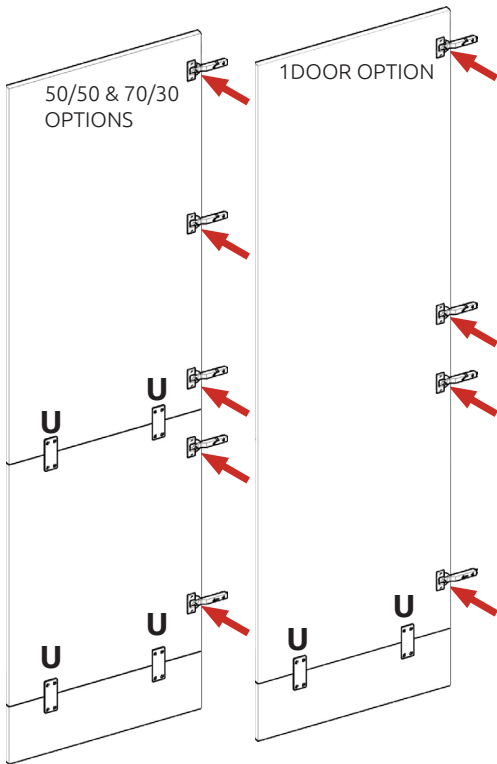


1 Door

Door Frontal Fixing (Where Applicable)

Grass Hinge

Doors supplied in accordance to customer specific kitchen plan



Step 1.

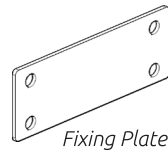
Insert hinges into hinge holes provided, in accordance with customer specific kitchen plan.

Step 2.

Secure hinges with the 2 x screws already located in the hinges.

Step 3. (Where applicable)

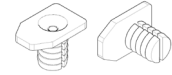
Align doors to join together using 2 x fixing plates to the back of both frontals. Ensure a 4mm gap is maintained between each frontal. Screw in place using 4 x 15mm screws per fixing plate.



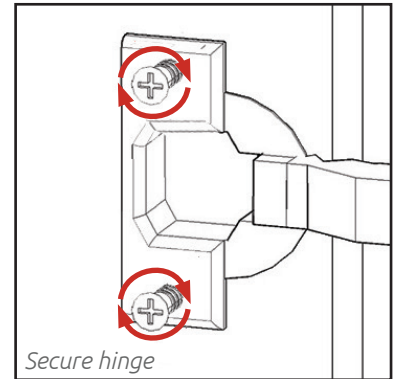
Fixing Plate

Step 4.

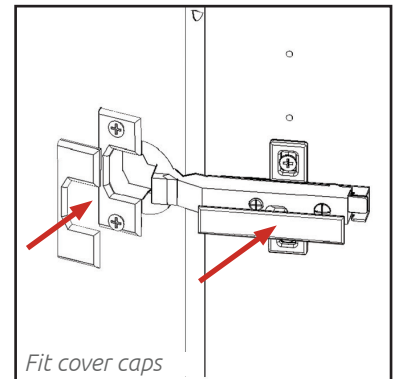
Attach the door to unit, clip hinge onto hinge plate and click to secure.



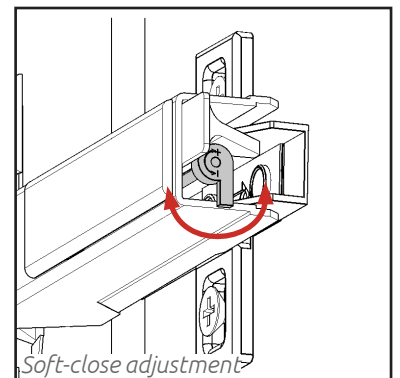
Hinge dowels



Secure hinge



Fit cover caps

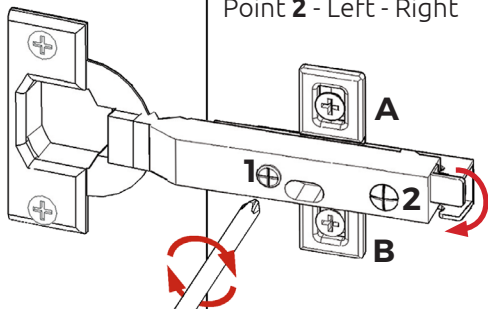


Soft-close adjustment

FRONTAL HINGE ADJUSTMENT

To **adjust** hinge using a screw driver, tighten or loosen as required at points **1 & 2**.

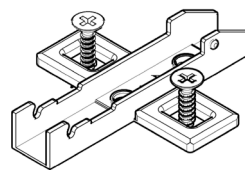
Point **1** - In - Out
Point **2** - Left - Right



To **Move** the hinge up/down, loosen screws **A + B**, manoeuvre the door, then re-tighten the screws

To **Release** door pull catch as shown, to release hinge from the hinge plate.

View from Inside of Unit



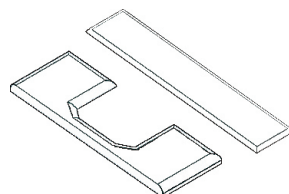
Hinge Plate

Step 5.

Adjust hinge to suit. As shown on the left.

Step 6.

Fit cover caps to hinge. Adjust soft-close to suit.



Hinge cover caps

The top and bottom hinges **MUST** be adjusted to the **SAME STRENGTH.**

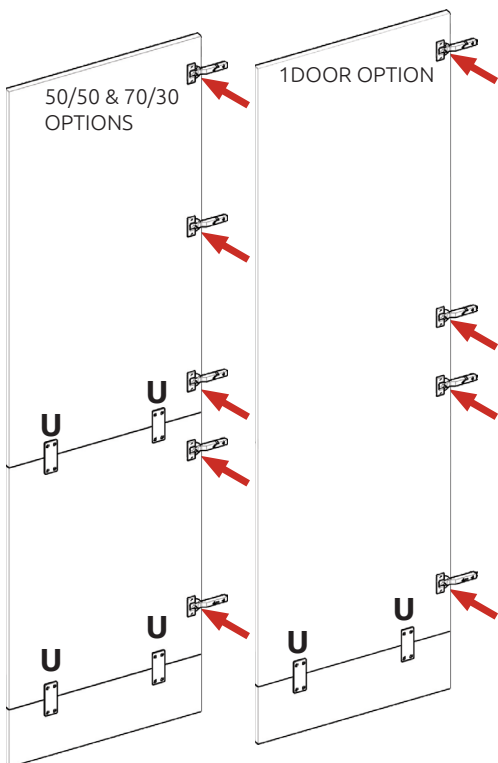
TOWER UNIT

2070 & 2250 Diag Corner Larder with Wine Rack Assembly Guide

Door Frontal Fixing (Where Applicable)

Titus Hinge

Doors supplied in accordance to customer specific kitchen plan



Step 1.

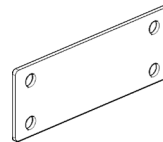
Insert hinges into hinge holes provided, in accordance with customer specific kitchen plan.

Step 2.

Secure hinges with the 2 x screws already located in the hinges.

Step 3. (Where applicable)

Align doors to join together using 2 x fixing plates to the back of both frontals. Ensure a 4mm gap is maintained between each frontal. Screw in place using 4 x 15mm screws per fixing plate.

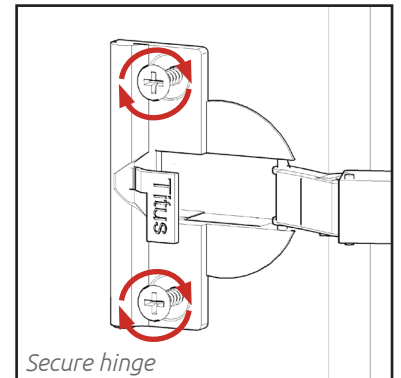


Step 5.

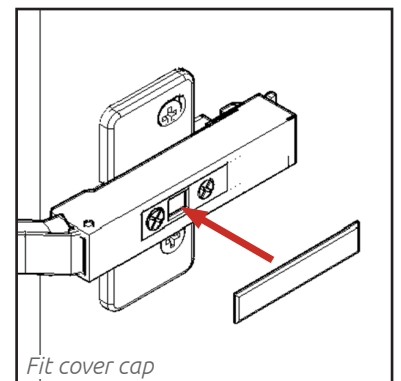
Attach the door to unit, clip hinge onto hinge plate and click to secure.



Hinge dowels



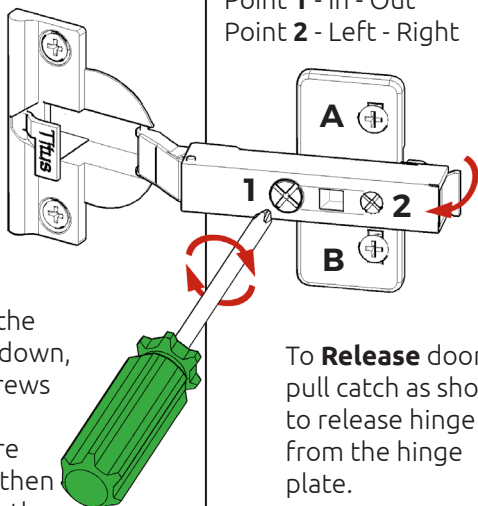
Secure hinge



Fit cover cap

FRONTAL HINGE ADJUSTMENT

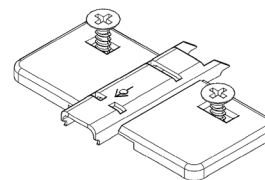
To **adjust** hinge using a screw driver, tighten or loosen as required at points **1 & 2**.
Point **1** - In - Out
Point **2** - Left - Right



To **Move** the hinge up/down, loosen screws **A + B**, manoeuvre the door, then re-tighten the screws

To **Release** door pull catch as shown, to release hinge from the hinge plate.

View from Inside of Unit



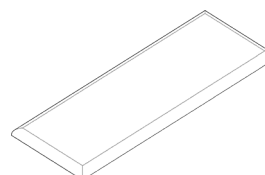
Hinge plate

Step 6.

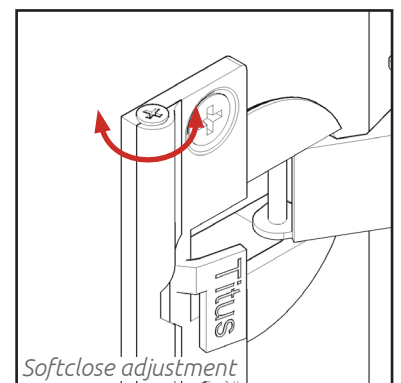
Adjust hinge to suit. As shown on the left.

Step 7.

Fit cover cap to hinge. Adjust softclose to suit.



Hinge cover cap



Softclose adjustment

The top and bottom hinges **MUST** be adjusted to the **SAME STRENGTH.**