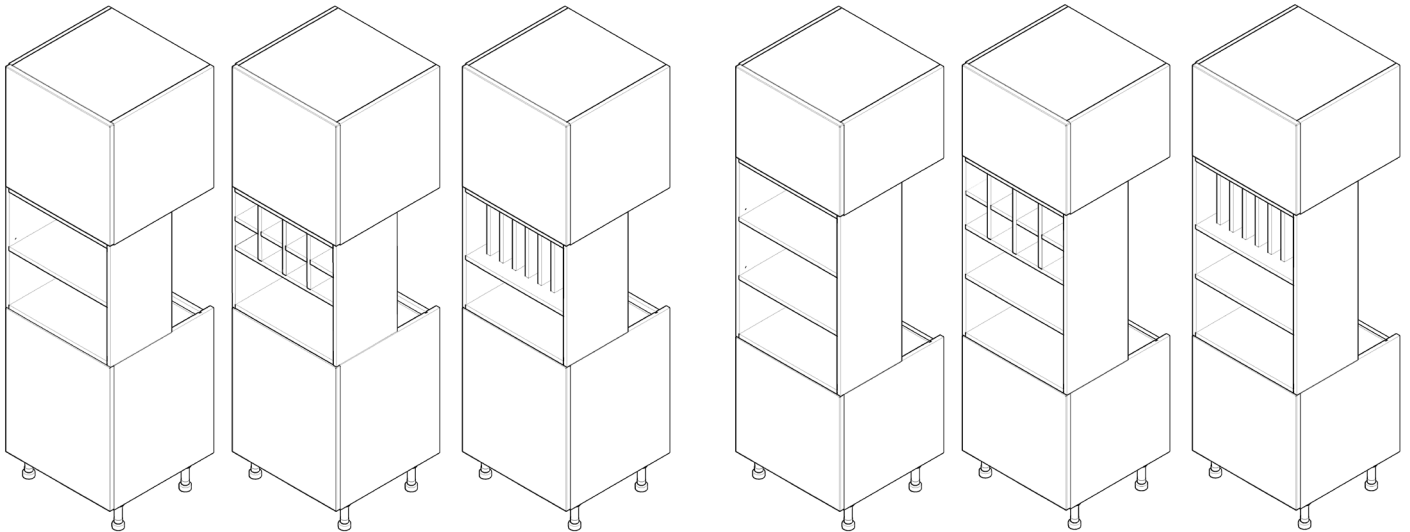
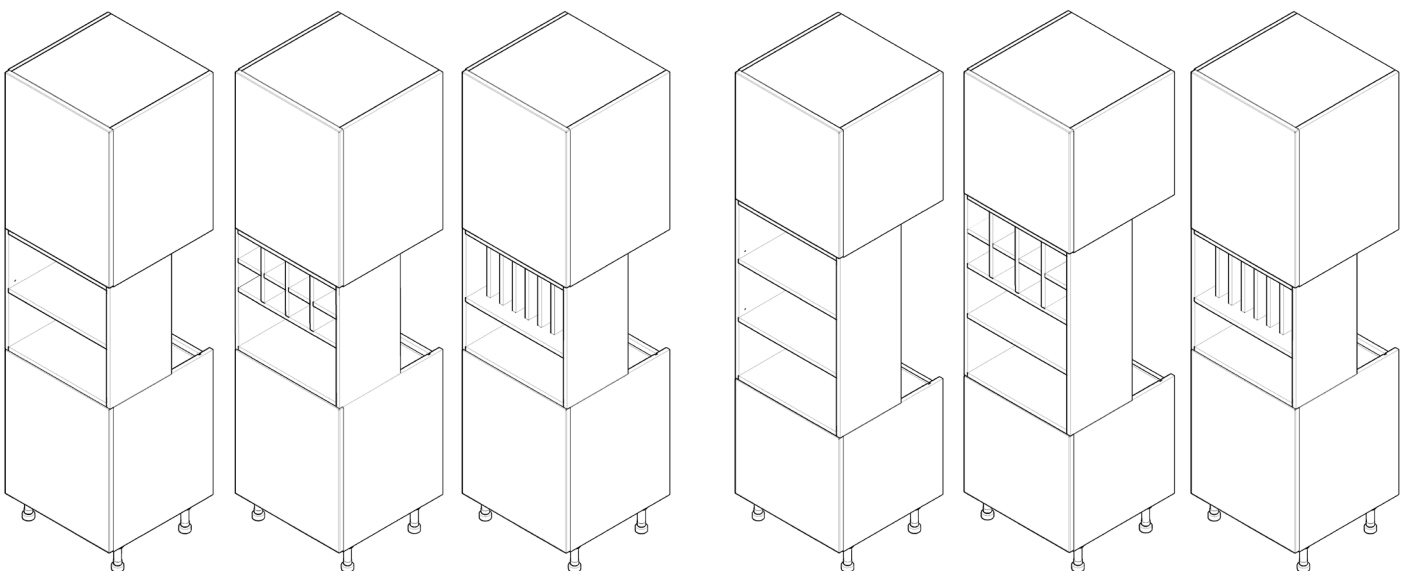


# TOWER UNIT

## 600 Feature unit, Open Shelf, Wine Rack, Plate Rack Assembly Guide



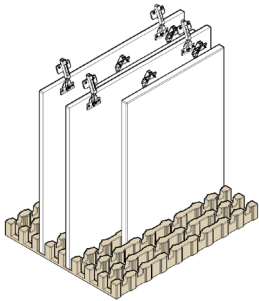
**Built-in 2070 x 600 Tall**



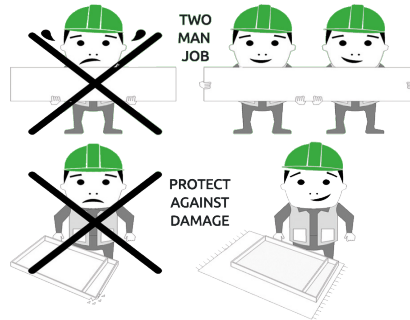
**Built-in 2250 x 600 Tall**

# TOWER UNIT

## 600 Feature unit, Open Shelf, Wine Rack, Plate Rack Assembly Guide



Door Safe



### BEFORE YOU START

INSTALLATION SHOULD BE PERFORMED BY A COMPETENT PERSON ONLY.

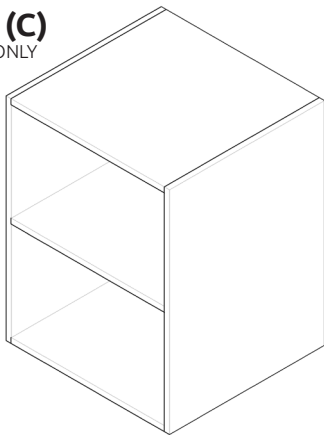
THIS PRODUCT COULD BE DANGEROUS IF INCORRECTLY INSTALLED



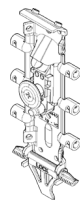
Prior to installation, fixtures including doors, drawers and loose shelves should be removed to ensure a safe installation. Use Wren provided Door Safe for temporary storage.

### Top Unit (C)

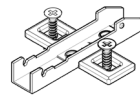
Size example ONLY  
x1



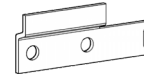
### Supplied With:



Hanging Bracket  
x2 Inc Screws



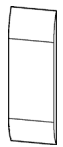
Hinge Mounting Plate  
x2 Inc Screws



Hanging Bracket Plate  
x2 (Screws NOT included)



Corner Gusset  
x2



Hanging Bracket Cover Cap  
x2



(L) x8  
15mm Screw



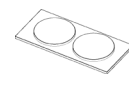
(S) x4  
20mm Screw



(K) x4  
30mm Screw



(M) x6  
Cover Caps



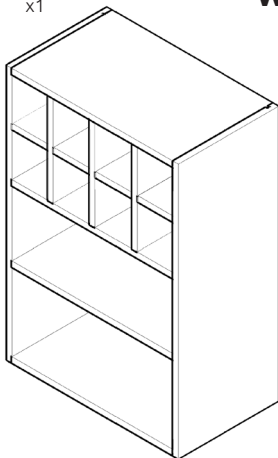
(N) x2  
Door Buffer



(ZZ) x8  
Metal Shelf Pegs

### Mid Unit (B)

Size example ONLY  
x1



### Supplied With:



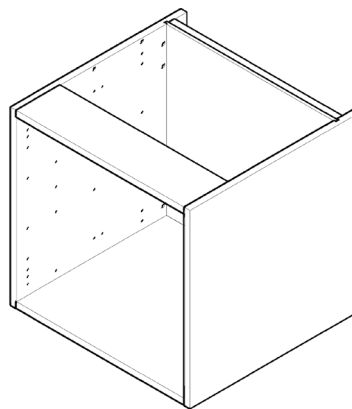
(L) x16  
15mm Screw



(K) x4  
30mm Screw

### Base Unit (A)

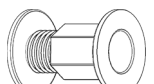
Size example ONLY  
x1



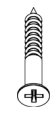
### Supplied With:



(ZZ) x8  
Metal Shelf Pegs



x1  
Space Plug



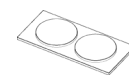
(K) x7  
30mm Screw



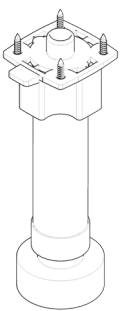
(L) x28  
15mm Screw



(M) x4  
Cover Cap



(N) x1  
Door Buffer

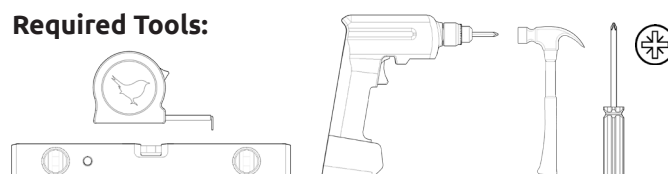


x5  
Legs

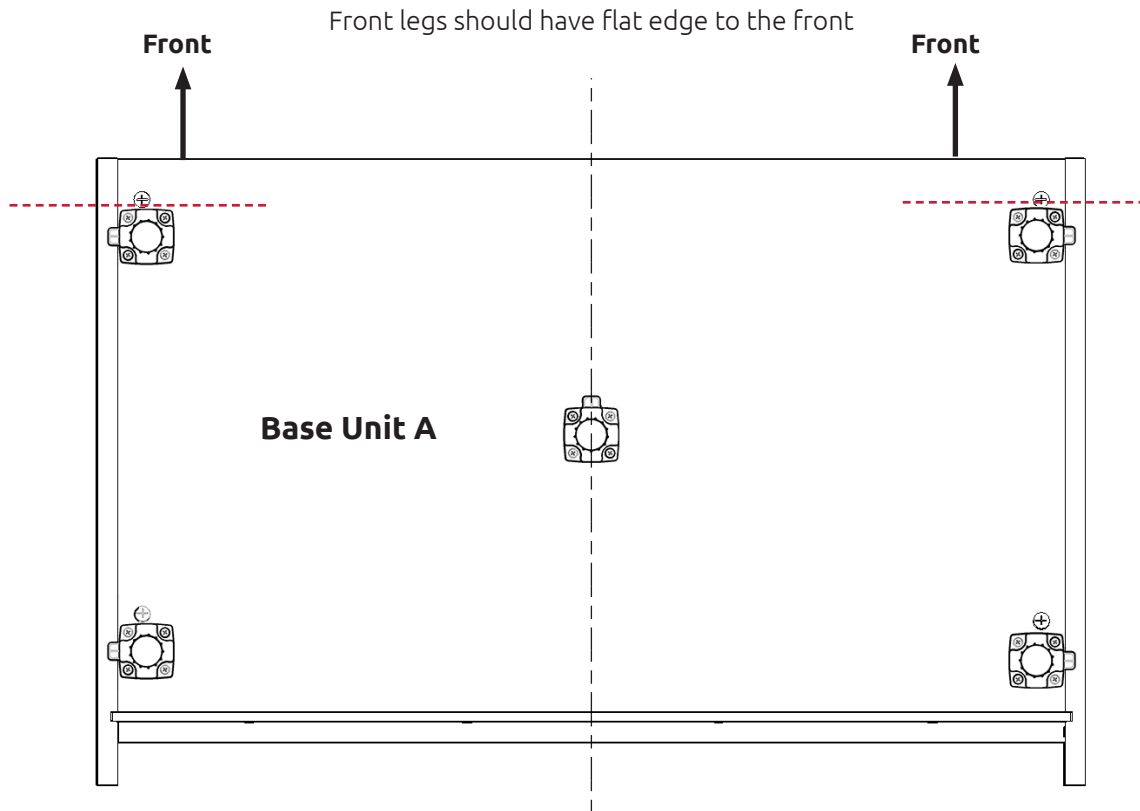
Feature unit fitting pack may vary in accordance to customer specific kitchen plan.

Base unit fitting pack contents may vary in accordance to customer specific kitchen plan.

### Required Tools:

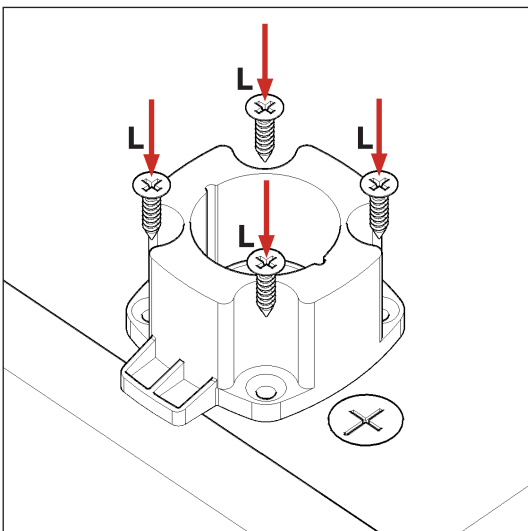


## Leg position diagram



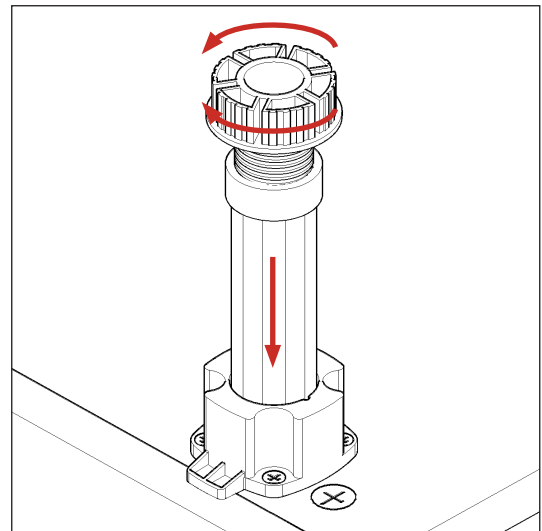
### Step 1.

Secure each of the legs into place with 4 x 15mm screws (**L**) per leg. Ensure legs are rotated as shown so that part of it is supporting the end panels.



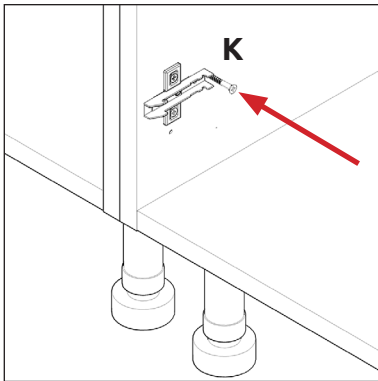
### Step 2.

Push leg firmly down into leg base. Adjust legs to 155mm before turning unit upright. Once in situ level accordingly.



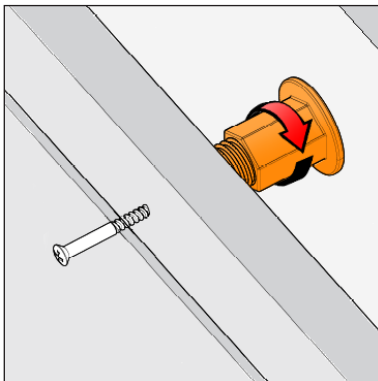
# TOWER UNIT

## 600 Feature unit, Open Shelf, Wine Rack, Plate Rack Assembly Guide



### Step 3.

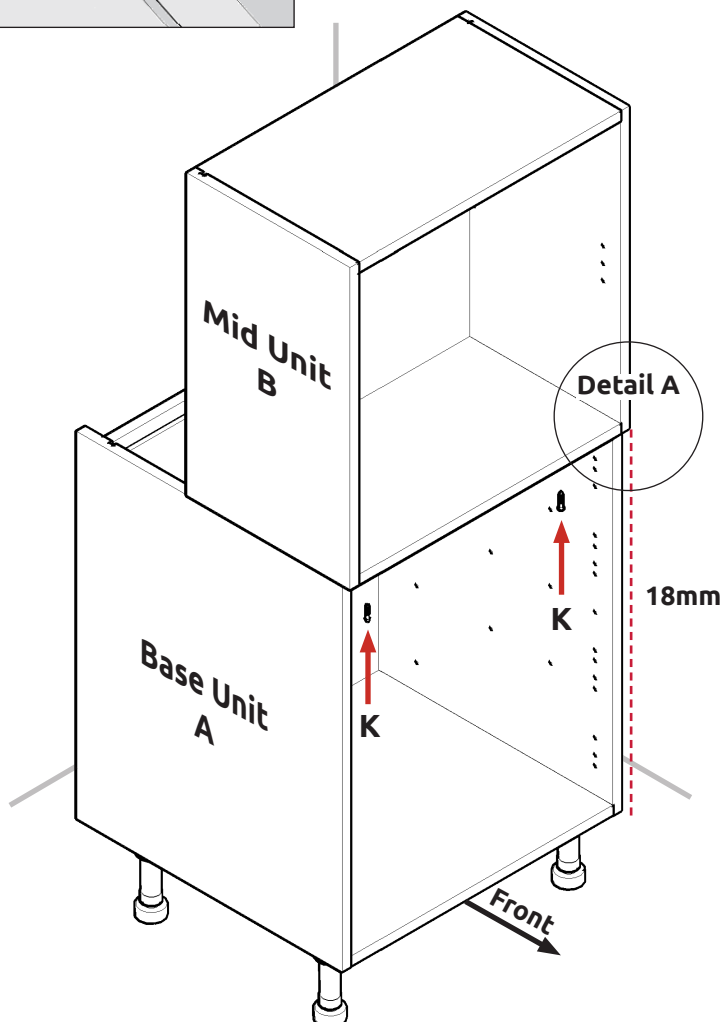
Screw into any side units using the 30mm screws (**K**) provided to secure to the unit. Screw just to the rear of the hinge mounting plate at the top and bottom of both sides of the unit, place a cover cap (**M**) on the heads to conceal them.



### Step 4.

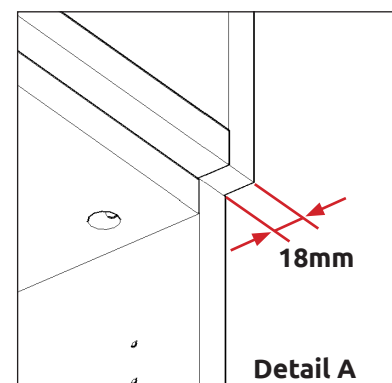
Secure base unit (**A**) to the wall using space plugs. Drill 2 pilot holes through the back rail of the unit into the wall. Unwind the Space Plugs until they contact both surfaces, insert and tighten an appropriately sized screw through the back of the unit and the Space Plugs into the wall.

**Screws for attaching to walls are not provided as these vary depending on your wall material and construction. Ensure appropriate fixings for wall construction are used.**



### Step 5.

Position feature unit (**B**) onto secured base (**A**) with an 18mm overhang, as shown.



*View from underside*

### Step 6.

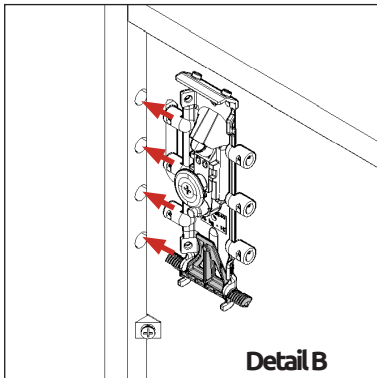
Using 2 x 30mm screws (**K**) screw up through the front rail of base unit (**A**) to secure both units base (**A**) & feature unit (**B**) together. Screws should be equally spaced, as shown.

### Step 7.

Hanging brackets steps a,b & c to be carried out on both sides of top unit **(C)** as shown.

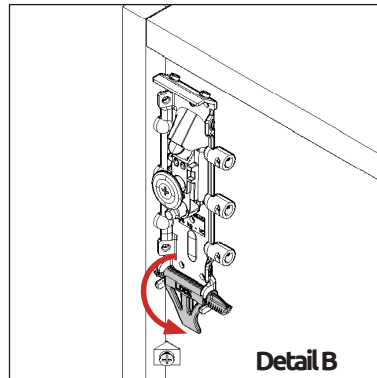


Care to be taken. Hanging procedure is necessary for a safe installation.



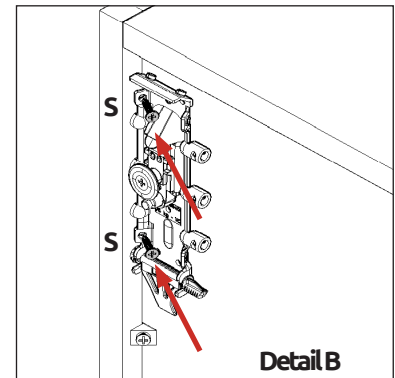
#### Step a

Insert hanging bracket into pre-drilled holes.



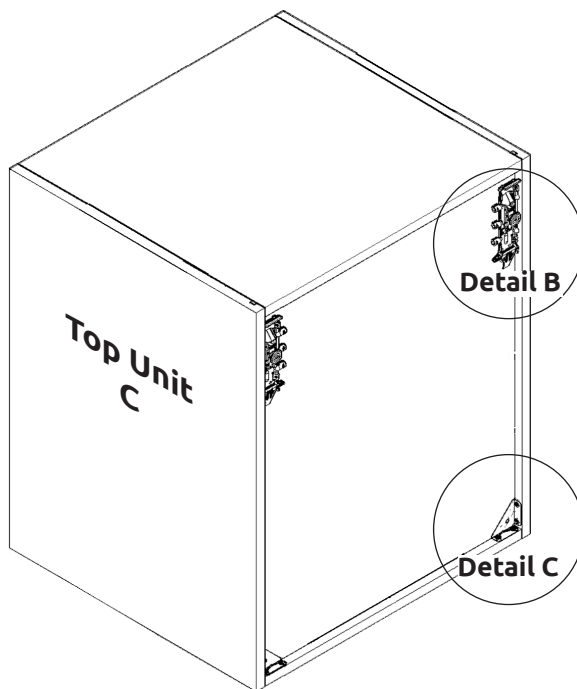
#### Step b

Rotate locking lever 180 degrees.



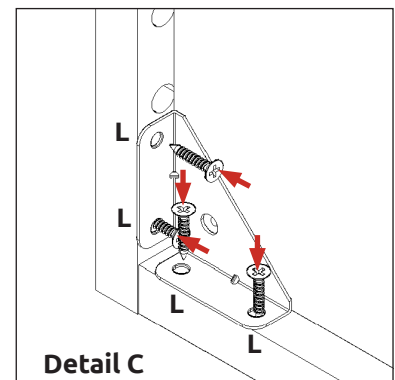
#### Step c

Secure with provided 2 x 20mm screws **(S)** per bracket.



### Step 8.

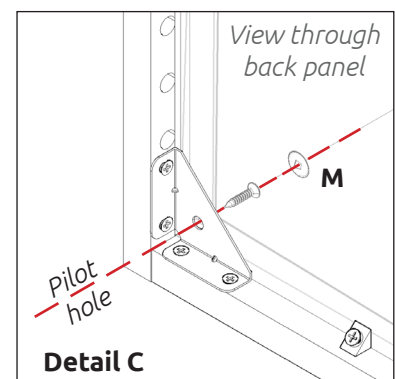
Secure corner gussets to the bottom and side of the rear wall unit using 4 x 15mm screws **(L)** per plate.



### Step 9.

Drill a small pilot hole through the centre of the corner gussets. Use this hole at the end of the process to screw through and into the wall. Cover the screw heads using the cover caps **(M)** provided.

**Screws for fixing to walls are not provided as these vary depending on your wall material and construction. Ensure appropriate fixings for wall constructions are used.**



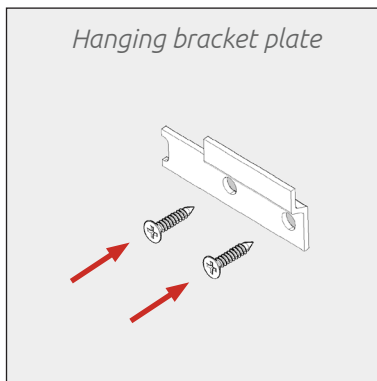
# TOWER UNIT

## 600 Feature unit, Open Shelf, Wine Rack, Plate Rack Assembly Guide

### Step 10.

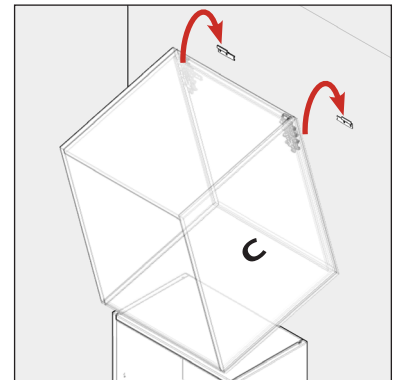
Measure appropriately and attach the 2 x hanging bracket plates onto the wall screwing through the provided holes into your wall.

**Screws for fixing to walls are not provided as these vary depending on your wall material and construction. Ensure appropriate fixings for wall construction are used.**



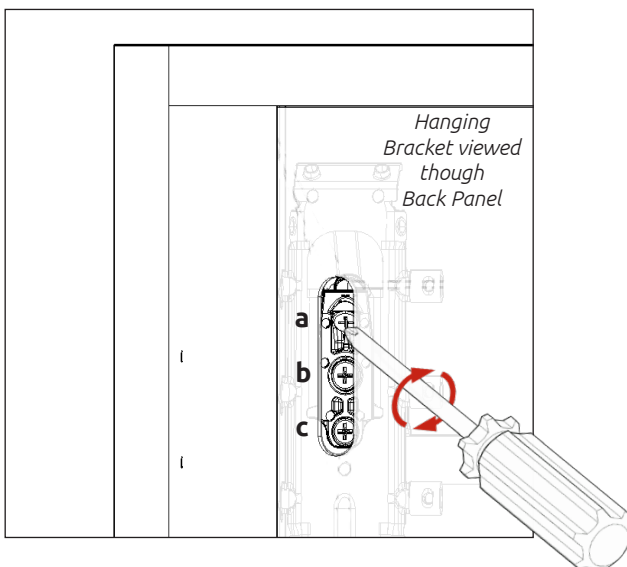
### Step 11.

Hang the unit using the brackets to hook onto the plate as shown.



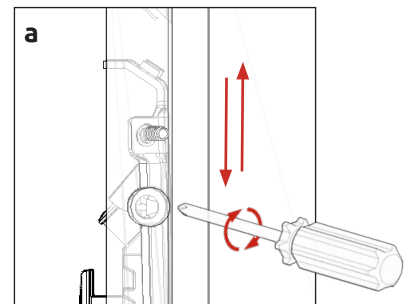
### Step 12.

Using points a, b & c adjust the unit to suit.



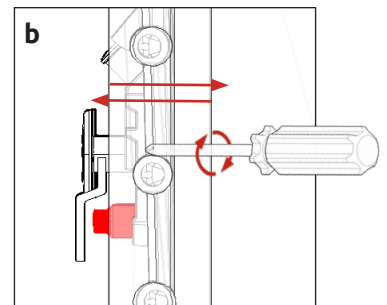
#### Step a

Rotate the screw clockwise to move the unit up.  
Anti-clockwise for down.



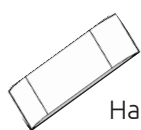
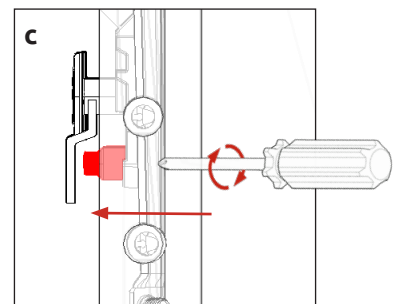
#### Step b

Adjust the depth using centre screw.



#### Step c

Screw the red screw until it touches the plate to lock in position.



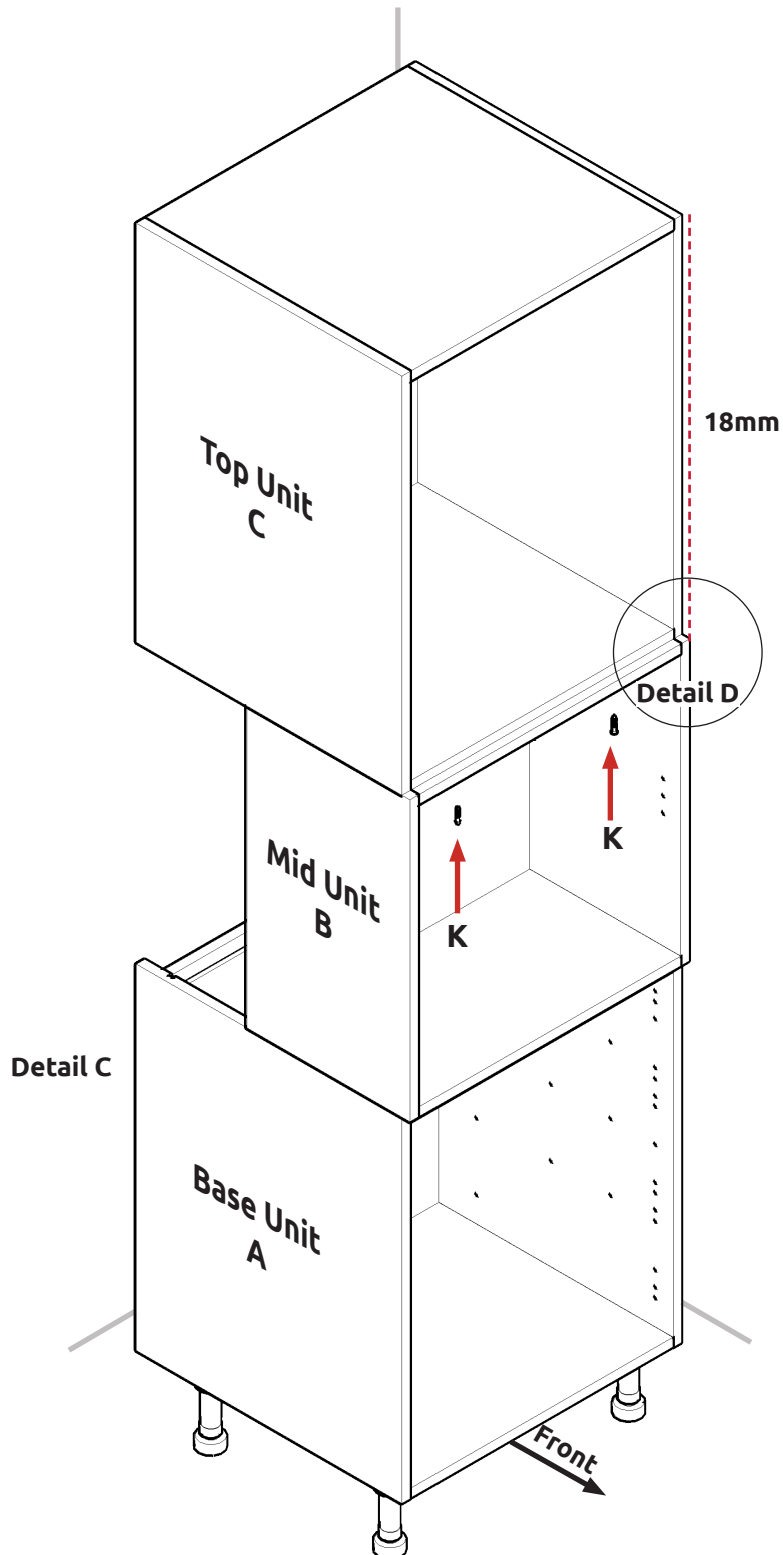
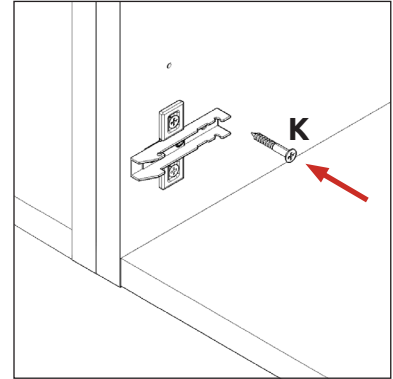
Hanging bracket cover cap

### Step 13.

Place a hanging bracket cover cap inside the Unit (C)

### Step 14.

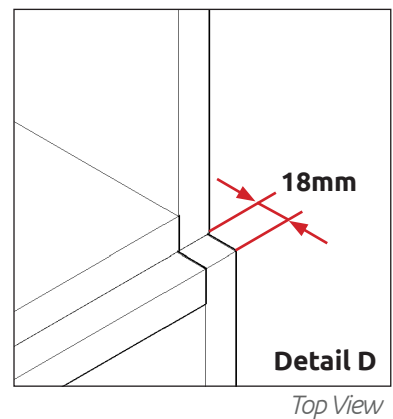
Screw into any side units using the provided 2 x 30mm screws (**K**) to secure the unit. Screw just to the rear of the hinge plate then place a cover cap on the head to conceal it.



### Step 15.

Using 2 x 30mm screws (**K**) screw up through the top of feature unit (**B**) to secure it in place with top unit (**C**), as shown.

Screws should be equally spaced, as shown.



# TOWER UNIT

## 600 Feature unit, Open Shelf, Wine Rack, Plate Rack Assembly Guide

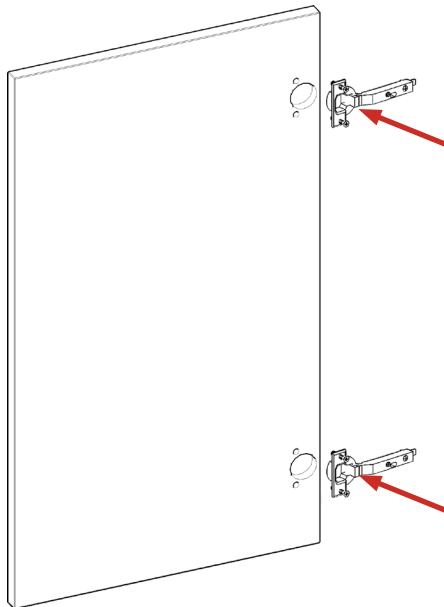
### Door Frontal Fixing (Where Applicable)

#### GRASS HINGE

Doors supplied in accordance to customer specific kitchen plan



Hinge dowels



#### Step 1.

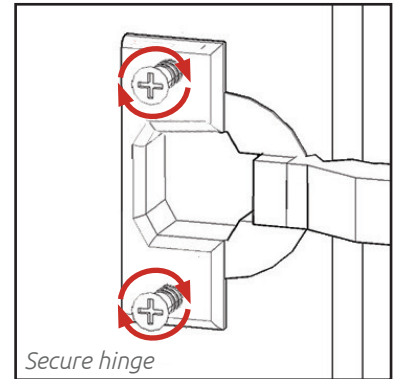
Insert hinges into hinge holes provided, in accordance with customer specific kitchen plan.

#### Step 2.

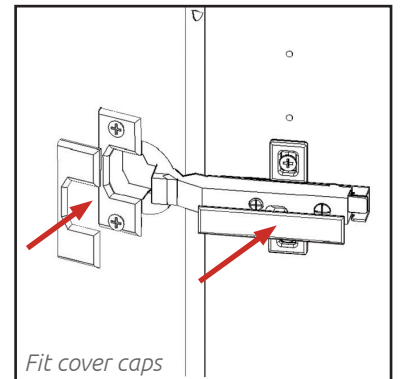
Secure hinges with the 2 x screws already located in the hinges.

#### Step 3.

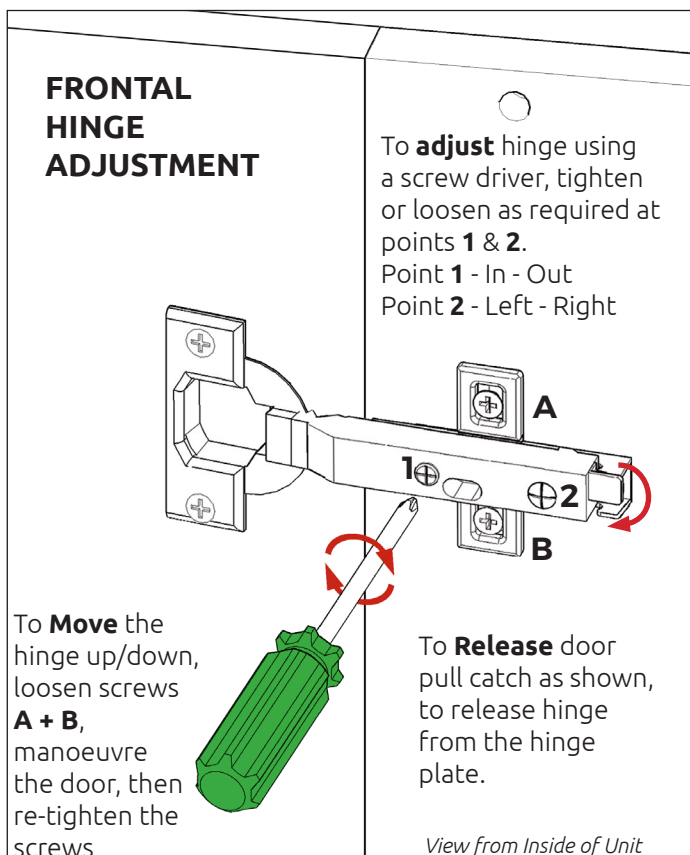
Attach the door to unit, clip hinge onto hinge plate and click to secure.



Secure hinge



Fit cover caps



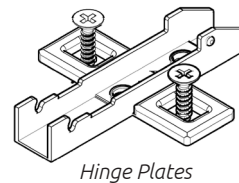
### FRONTAL HINGE ADJUSTMENT

To **adjust** hinge using a screw driver, tighten or loosen as required at points **1** & **2**.  
Point **1** - In - Out  
Point **2** - Left - Right

To **Move** the hinge up/down, loosen screws **A + B**, manoeuvre the door, then re-tighten the screws

To **Release** door pull catch as shown, to release hinge from the hinge plate.

View from Inside of Unit



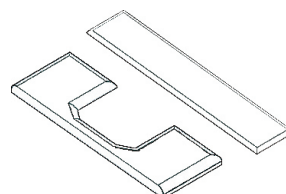
Hinge Plates

#### Step 4.

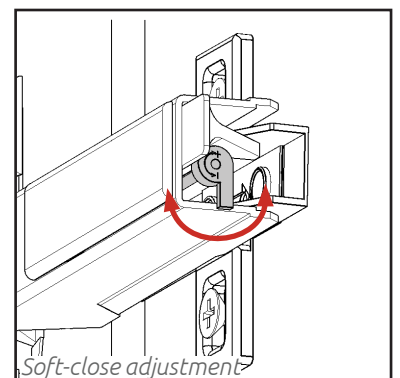
Adjust hinge to suit. As shown on the left.

#### Step 5.

Fit cover cap to hinge. Adjust soft-close to suit.



Hinge Cover Caps



Soft-close adjustment

The top and bottom hinges **MUST** be adjusted to the **SAME STRENGTH.**



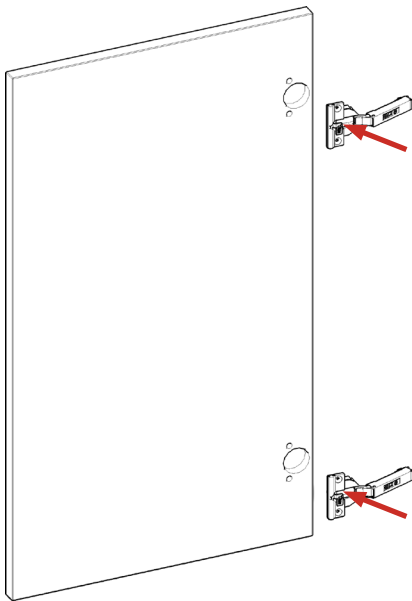
## Door Frontal Fixing (Where Applicable)

### TITUS HINGE

Doors supplied in accordance to customer specific kitchen plan



Hinge dowels



#### Step 1.

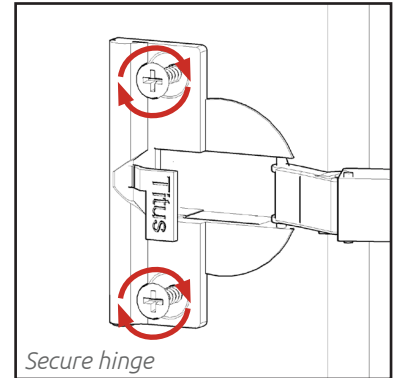
Insert hinges into hinge holes provided, in accordance with customer specific kitchen plan.

#### Step 2.

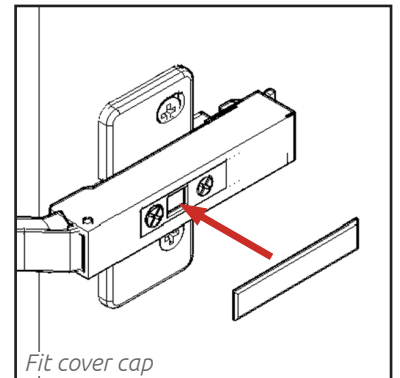
Secure hinges with the 2 x screws already located in the hinges.

#### Step 3.

Attach the door to unit, clip hinge onto hinge plate and click to secure.



Secure hinge



Fit cover cap

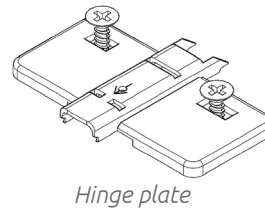
### FRONTAL HINGE ADJUSTMENT

To **adjust** hinge using a screw driver, tighten or loosen as required at points **1 & 2**.  
 Point **1** - In - Out  
 Point **2** - Left - Right

To **Move** the hinge up/down, loosen screws **A + B**, manoeuvre the door, then re-tighten the screws

To **Release** door pull catch as shown, to release hinge from the hinge plate.

*View from Inside of Unit*



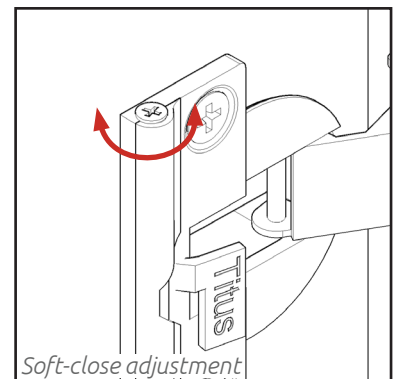
Hinge plate

#### Step 4.

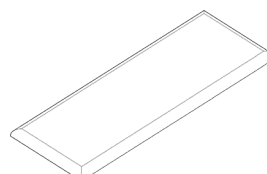
Adjust hinge to suit. As shown on the left.

#### Step 5.

Fit cover cap to hinge. Adjust soft-close to suit.



Soft-close adjustment



Hinge cover cap

The top and bottom hinges **MUST** be adjusted to the **SAME STRENGTH.**

# TOWER UNIT

## 600 Feature unit, Open Shelf, Wine Rack, Plate Rack Assembly Guide

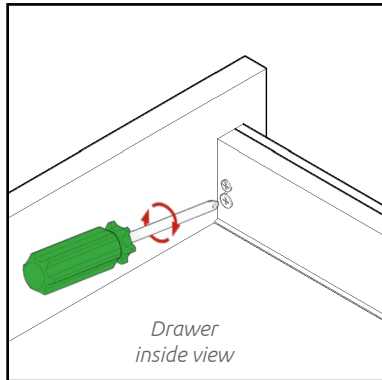
### Drawer Frontal Adjustment (Where Applicable)

#### GRASS DRAWER

Doors supplied in accordance to customer specific kitchen plan

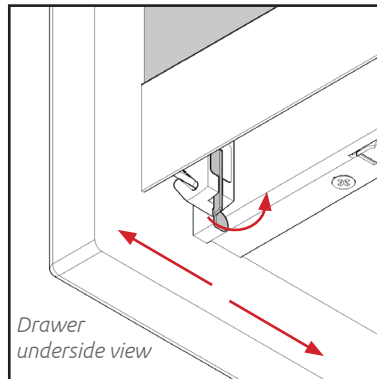
Drawer adjustments to be done on both sides

### Grass Standard Drawer



#### Up & Down Adjustment.

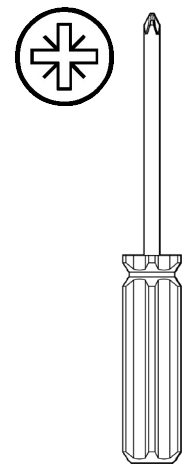
Loosen top screw. Turn the bottom screw to adjust drawer frontal height, once in desired position re-tighten the top screw.



#### Left & Right Adjustment.

Press in the fixing clips half way, located at the bottom of the frontal on both sides of the drawer. Adjust the position of the drawer frontal, left or right. Release the frontal fixing clips on both sides of the drawer to secure the frontal in the new position.

Tools required:  
Cross head screwdriver

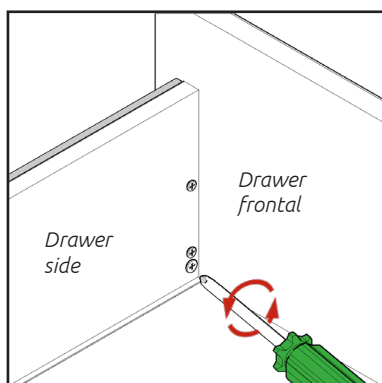


#### Fit Cover Caps

Fit drawer cover caps over drawer side adjustment screws.

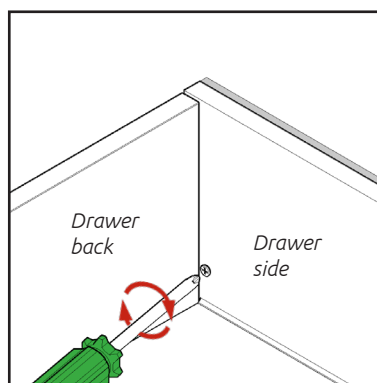


### Grass Deep & Glass Drawer



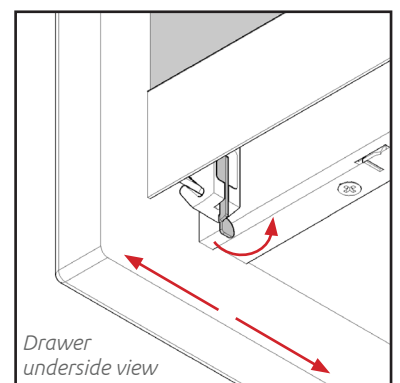
#### Up & Down Adjustment.

Loosen top two screws. Turn the bottom screw to adjust frontal height, once in desired position re-tighten the top screws.



#### Rear Elevation Adjustment.

Turn the screw at the back of the drawer to adjust rear elevation of the drawer.



#### Left & Right Adjustment.

Press in the fixing clips half way, located at the bottom of the frontal on both sides of the drawer. Adjust the position of the drawer frontal, left or right. Release the frontal fixing clips on both sides of the drawer to secure the frontal in the new position.

#### Fit Cover Caps.

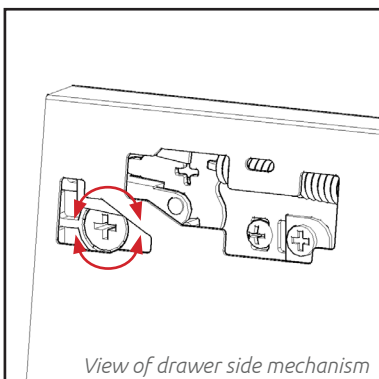
Fit drawer cover caps over drawer side adjustment screws.



## Drawer Frontal Adjustment (Where Applicable)

### TM DRAWER

Doors supplied in accordance to customer specific kitchen plan



**Tools required:**  
Cross head screwdriver

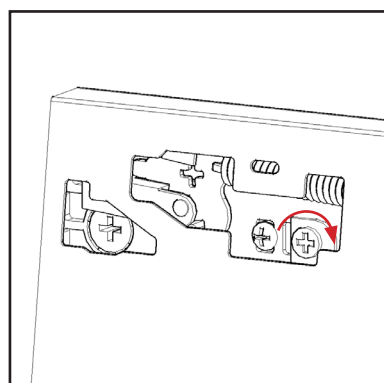


### Left & Right Adjustment

Turn screw shown to **adjust** drawer frontal **left & right**.

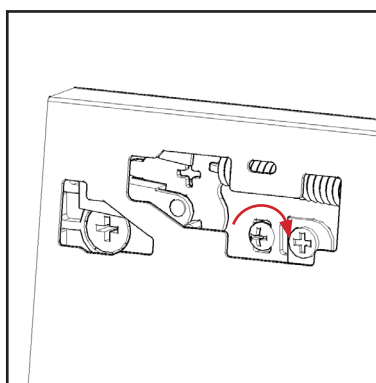
Drawer frontal adjustment is the same process for standard, mid, deep and glass drawers

Drawer adjustments to be done on both sides



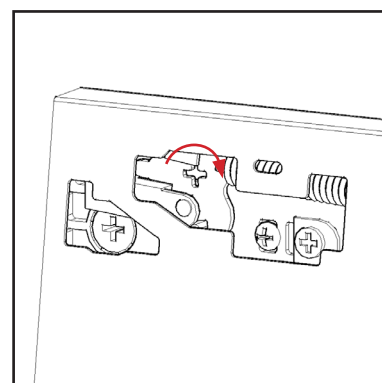
### Up & Down Adjustment

Turn screw shown to **adjust** drawer frontal **up & down**.



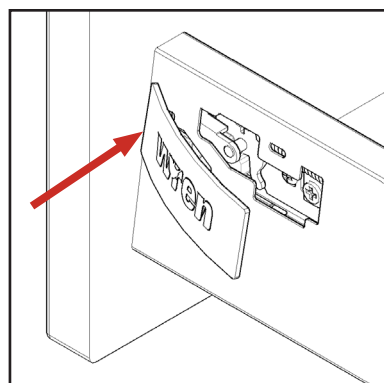
### Lock Position

Tighten screw shown to lock in position.



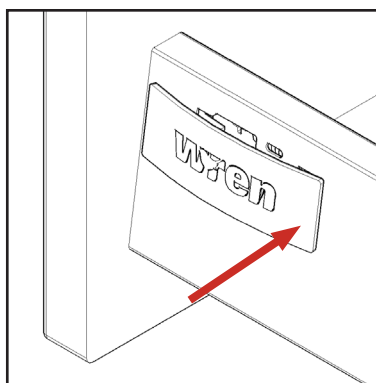
### Remove Frontal

To remove the frontal, **release** the fixing clip by turning the locking plate screw shown.



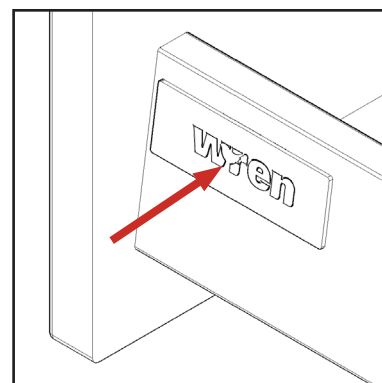
### Step 1

Fit drawer cover caps over drawer side adjustment. Position the edge closest to the frontal first.



### Step 2

Position the far side edge into place.



### Step 3

Press the cover cap against the drawer side to secure it in place. Repeat on the opposite side.

**wren**  
KITCHENS