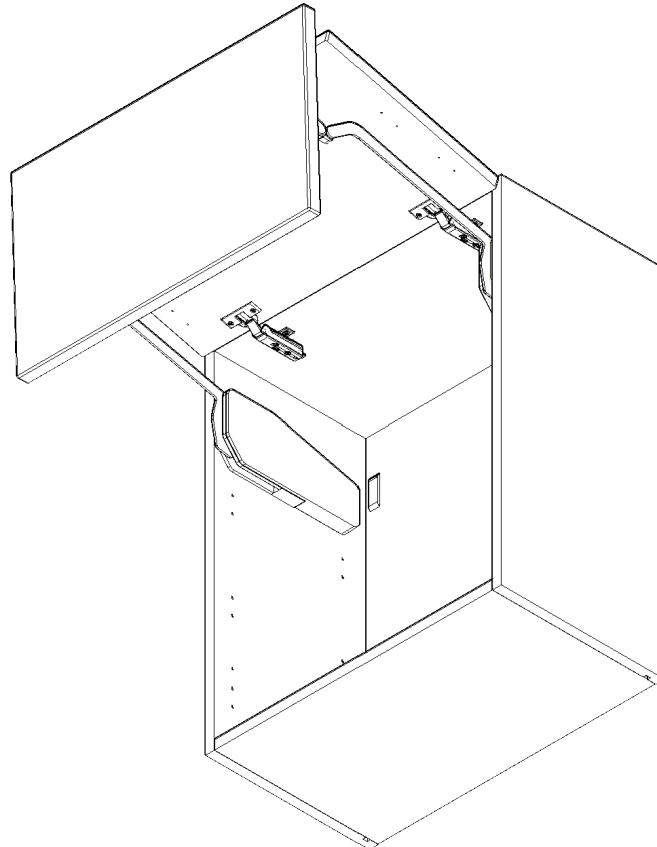


Piston Lift



BiFold Lift

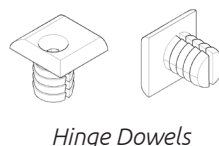
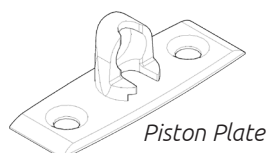
FRONTALS

Piston Lift Replacement Frontal Guide

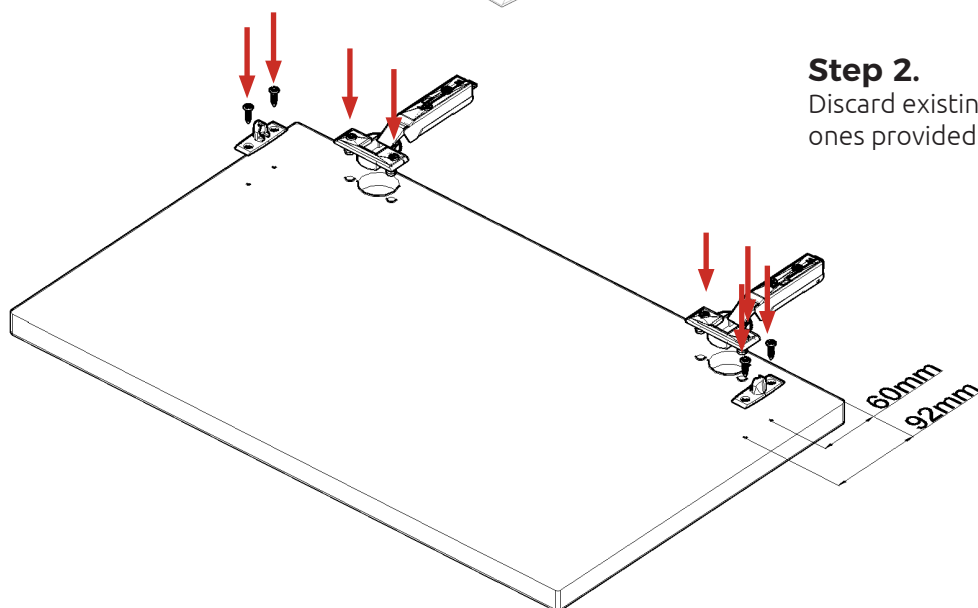
PISTON LIFT

Step 1.

Secure piston brackets with 2 x 15mm screws into position as shown, using pilot holes on the frontal as a guide.



COMPATIBLE UNITS
360 Wall
720 Microwave
900 Microwave
Tower Units

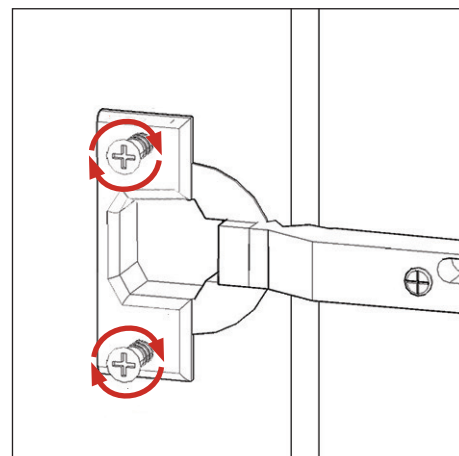


Step 2.

Discard existing hinge dowels and replace with new ones provided.

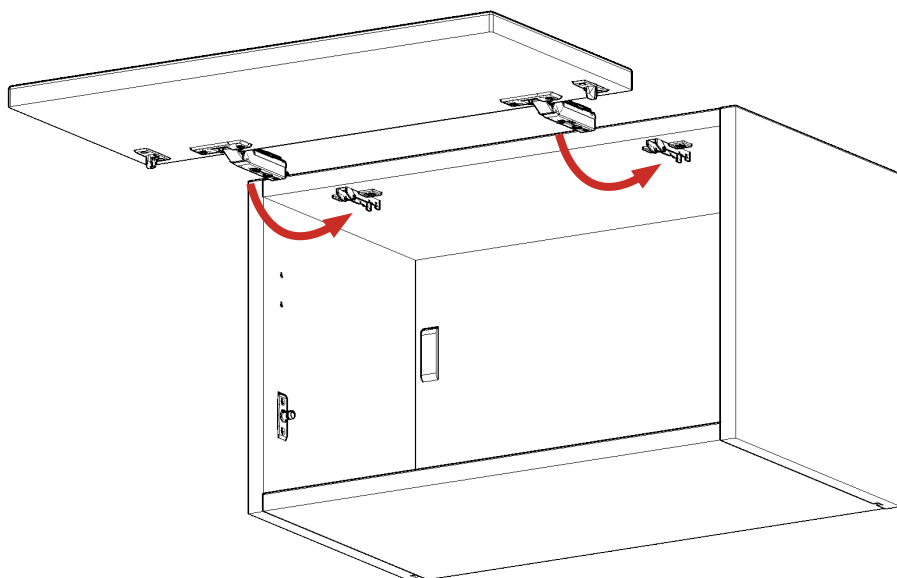
Step 3.

Insert hinges into hinge holes provided.



Step 4.

Secure hinges with the 2 x original screws.



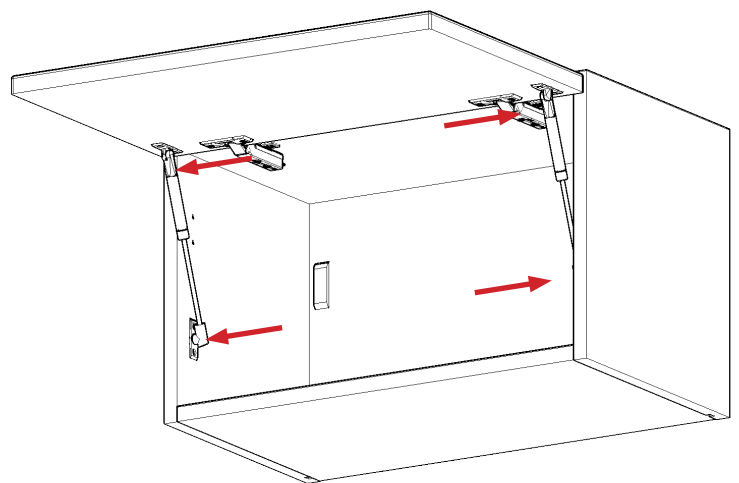
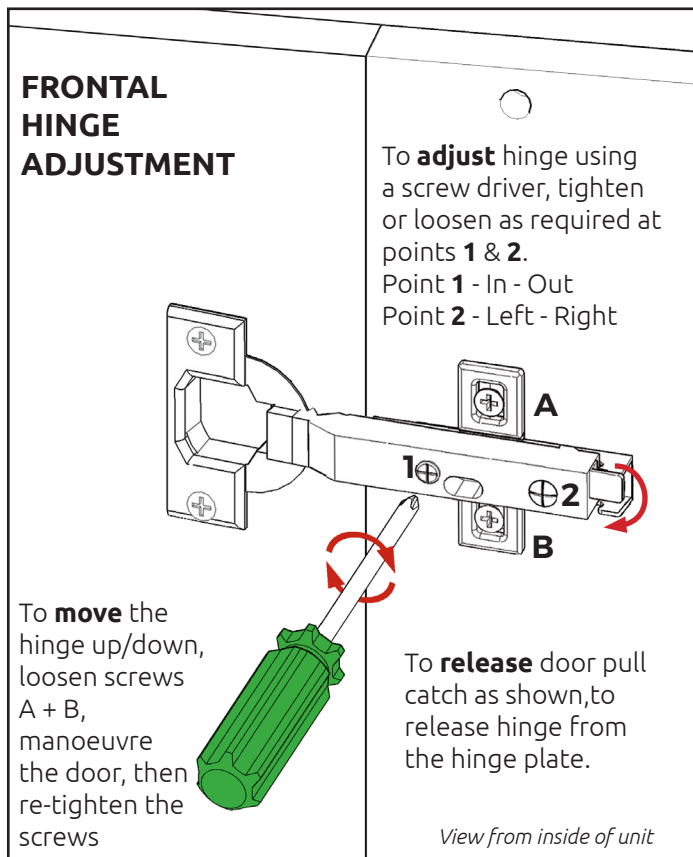
Step 5.

Clip hinges onto hinge mounting plates on the unit.

GRASS HINGE ADJUSTMENT (WHERE APPLICABLE)

Step 6.

Adjust hinges to suit. As shown below.

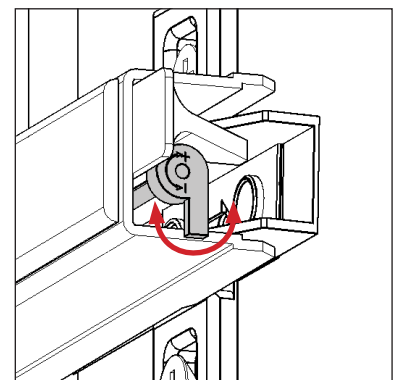
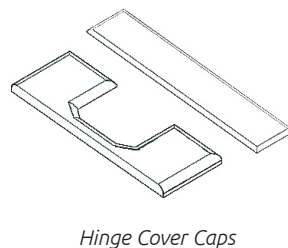
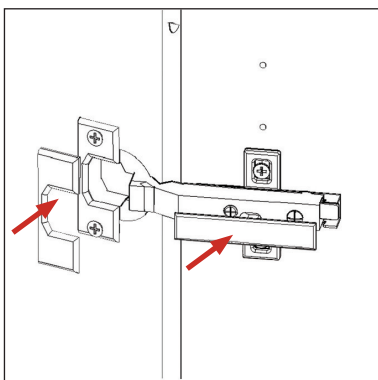


Step 7.

Clip piston onto piston mounting plates on the unit and frontal.

Step 8.

Fit cover caps to hinges. Adjust soft-close to suit.

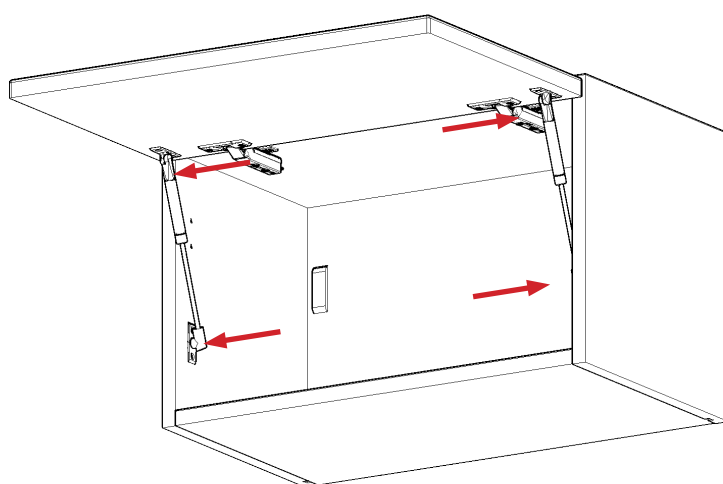
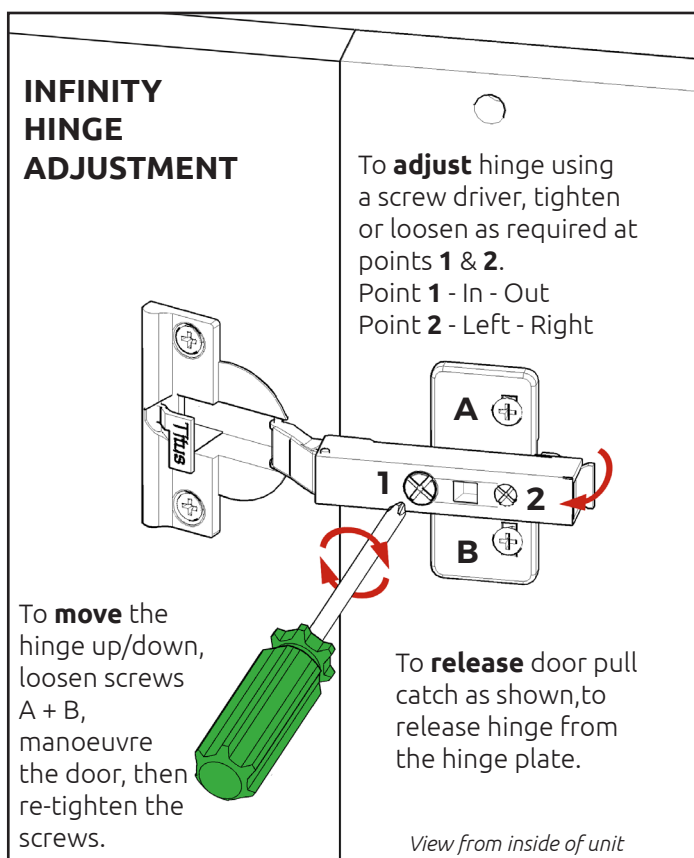


Both hinges **MUST** be adjusted to the **SAME STRENGTH**.

TITUS HINGE ADJUSTMENT (WHERE APPLICABLE)

Step 6.

Adjust hinges to suit. As shown below.

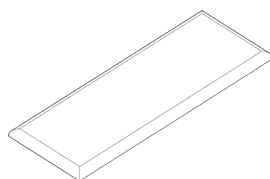
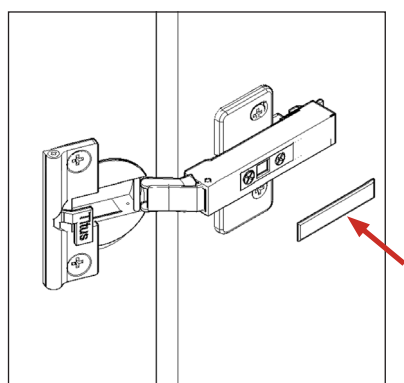


Step 7.

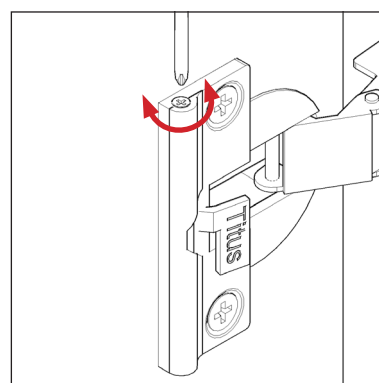
Clip piston onto piston mounting plates on the unit and frontal.

Step 8.

Fit cover cap to hinges. Adjust soft-close to suit.



Hinge Cover Caps

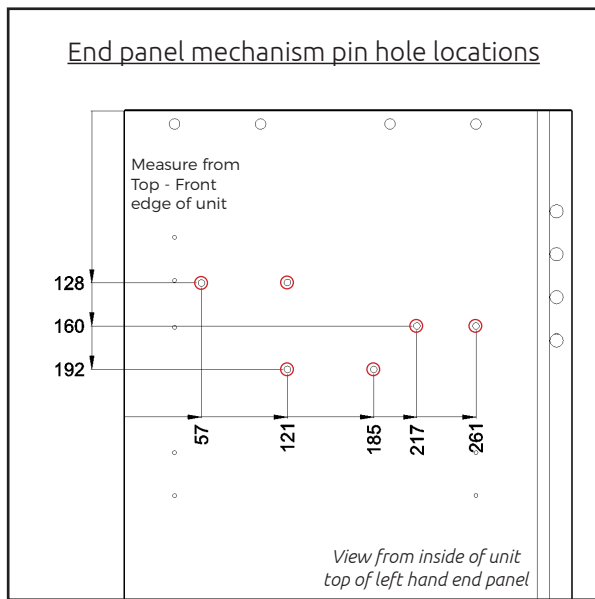


Both hinges **MUST** be adjusted to the **SAME STRENGTH**.

BIFOLD LIFT

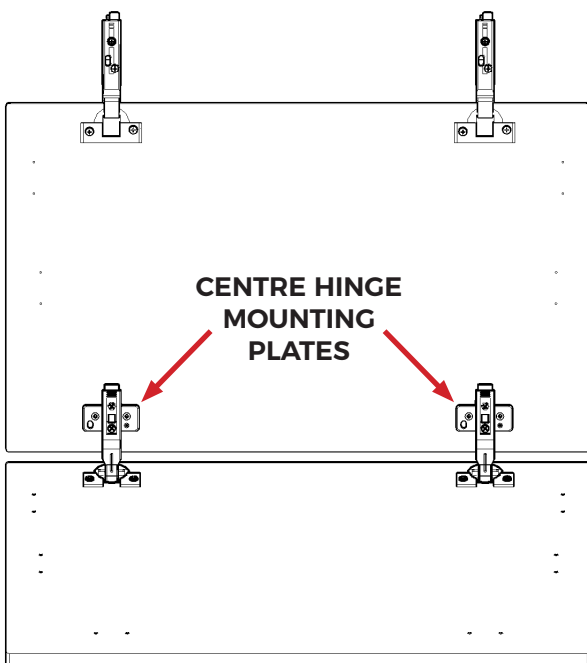
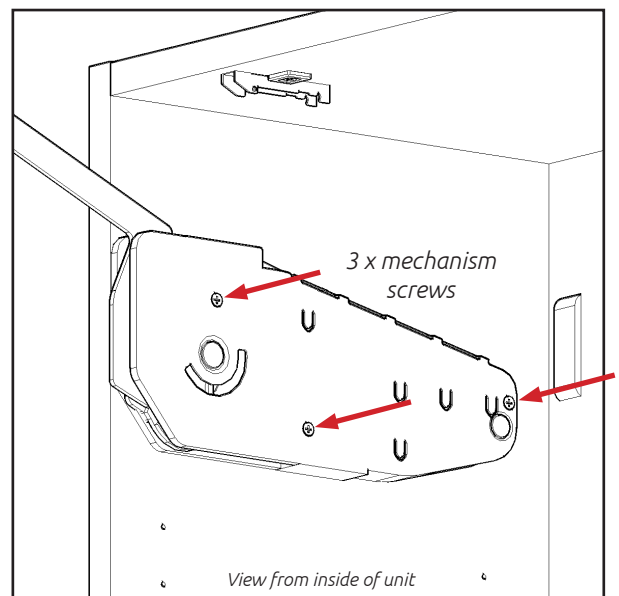
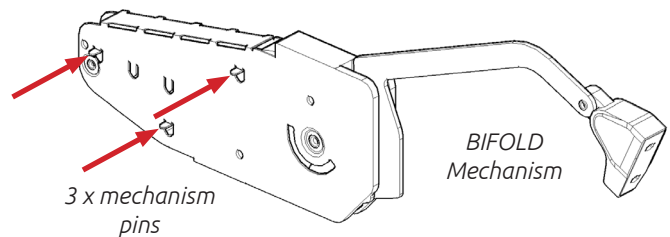
Step 1.

Line up and insert 3 x mechanism pins into holes provided as shown.



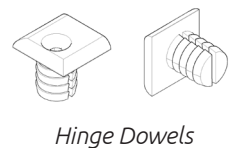
Step 2.

Tighten 3 x screws on each BiFold mechanism into the unit. These are already positioned within the mechanism.



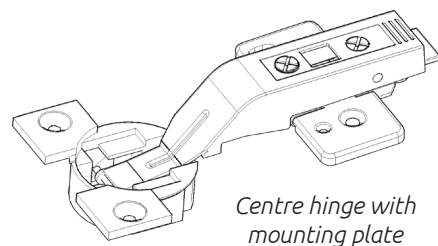
Step 3.

Discard existing hinge dowels and replace with new ones provided.



Step 4.

Insert top hinges into hinge holes provided on one frontal. On the same frontal, fix centre hinge mounting plates as shown.



Step 5.

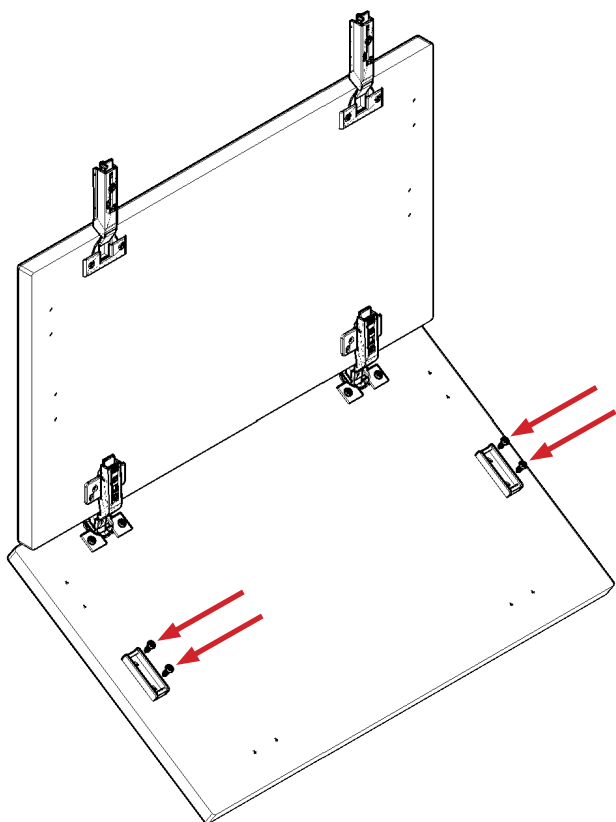
Insert centre hinges into hinge holes provided on the second frontal. Secure all hinges with 2 x original screws per hinge.

Step 6.

Attach frontals together, clip centre hinge into hinge mounting plate & click to secure.

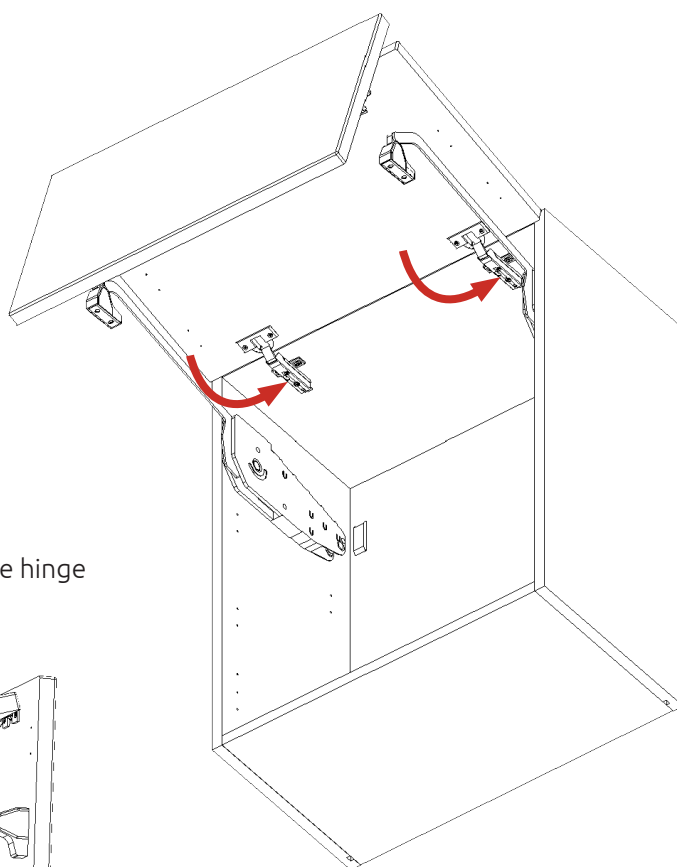
FRONTALS

BiFold Lift - Replacement Frontal Guide



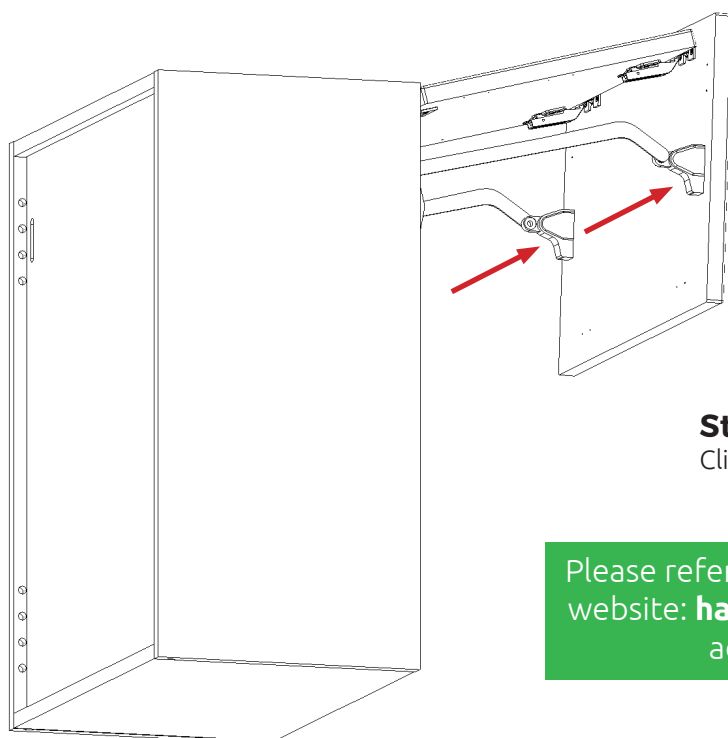
Step 7.

Secure BiFold arm clip to the frontal location as shown, with 2 x 15mm screws per clip.



Step 8.

Attach frontals to the unit. Clip hinges onto the hinge plates and click to secure.



Step 9.

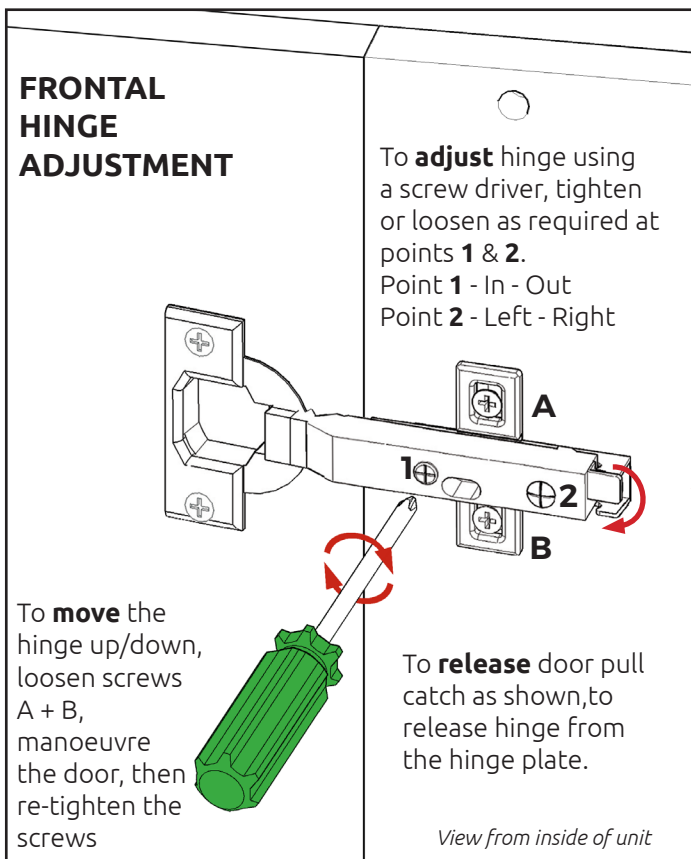
Clip arms onto BiFold arm clips.

Please refer to **lift hinge instructions** provided or visit website: hafele.com/external/free for further frontal adjustment information if required

GRASS HINGE ADJUSTMENT (WHERE APPLICABLE)

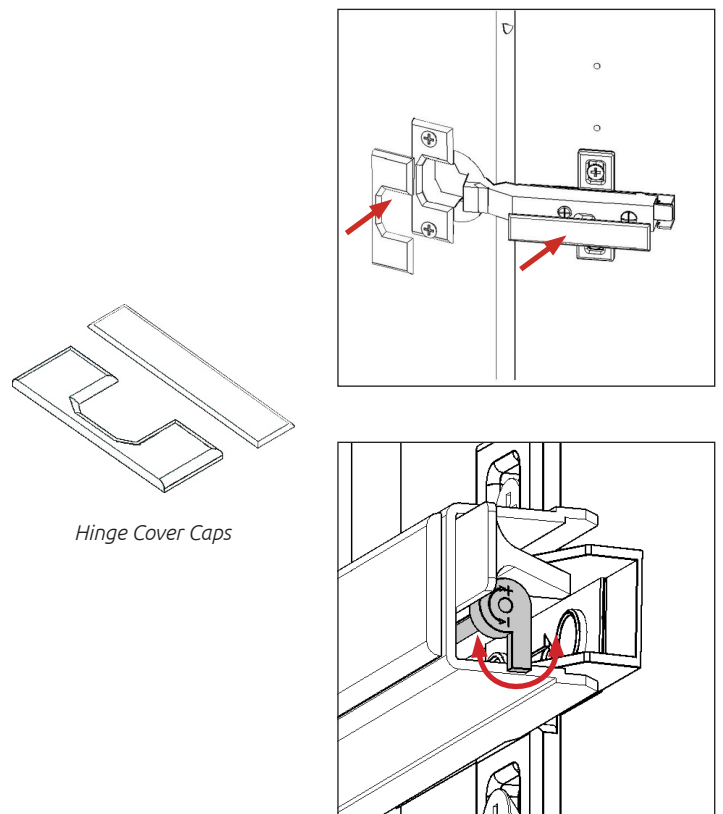
Step 10.

Adjust hinges to suit. As shown below.

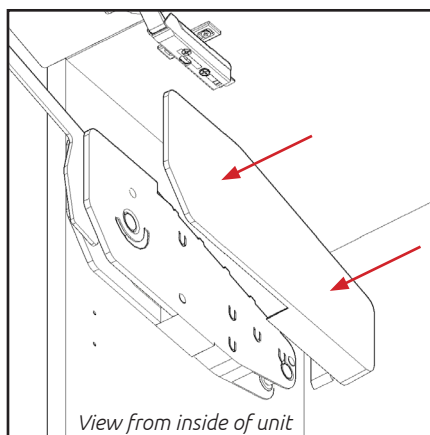


Step 11.

Fit cover caps to hinges. Adjust soft-close to suit.



Both hinges **MUST** be adjusted to the **SAME STRENGTH**.



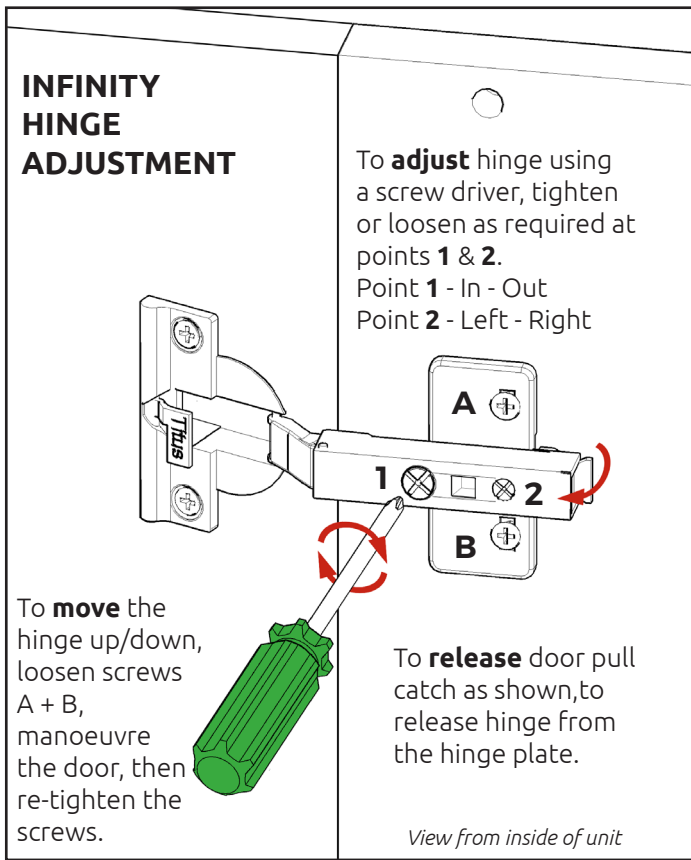
Step 12.

Fit covers to lift mechanisms.

TITUS HINGE ADJUSTMENT (WHERE APPLICABLE)

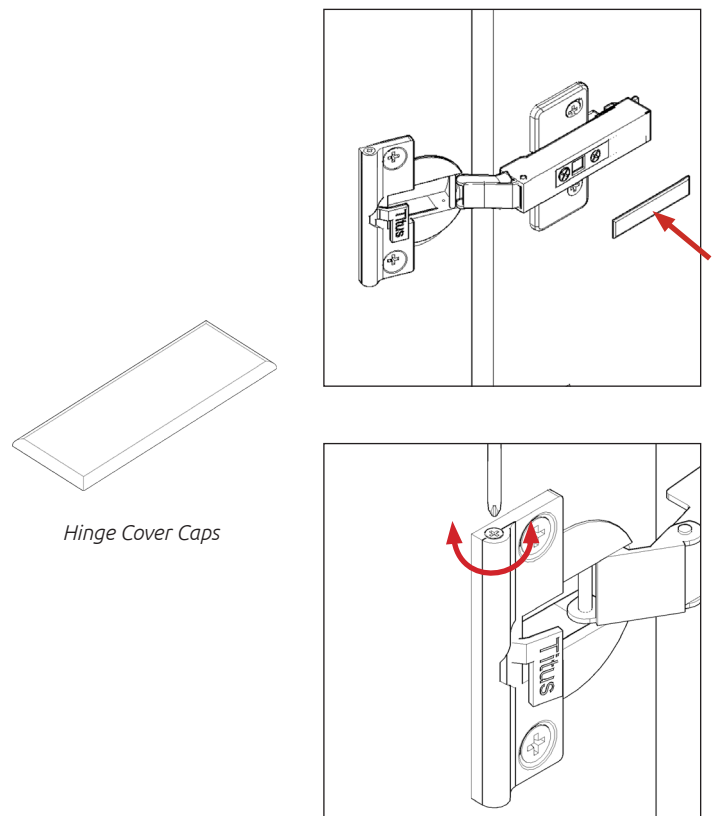
Step 10.

Adjust hinges to suit. As shown below.

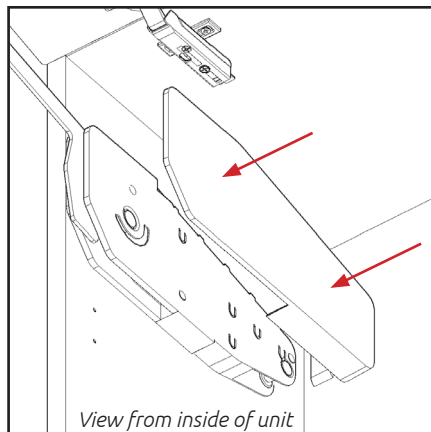


Step 11.

Fit cover caps to hinges. Adjust soft-close to suit.



Both hinges **MUST** be adjusted to the **SAME STRENGTH**.



Step 12.

Fit covers to lift mechanisms.