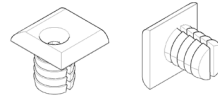


FRONTALS

284 Bridging Unit Replacement Frontal Guide

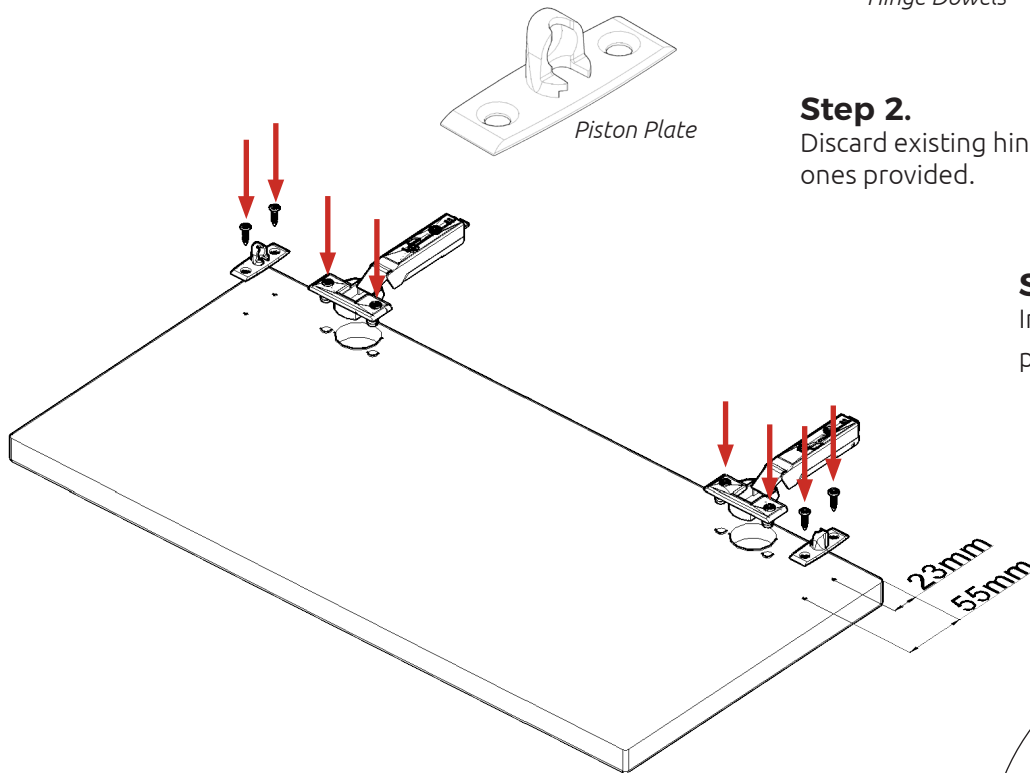
Step 1.

Secure piston brackets with 2 x 15mm screws into position as shown, using pilot holes on the frontal as a guide.



Hinge Dowels

COMPATIBLE UNITS
288 Wall

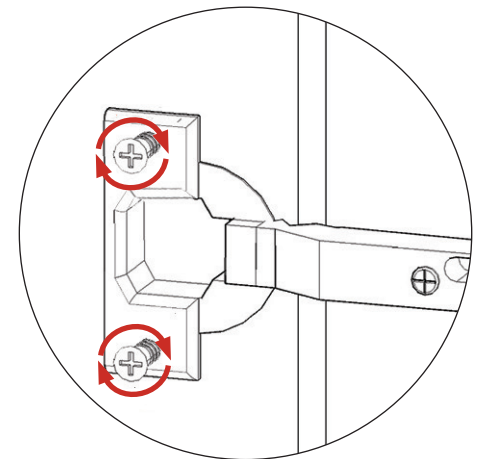


Step 2.

Discard existing hinge dowels and replace with new ones provided.

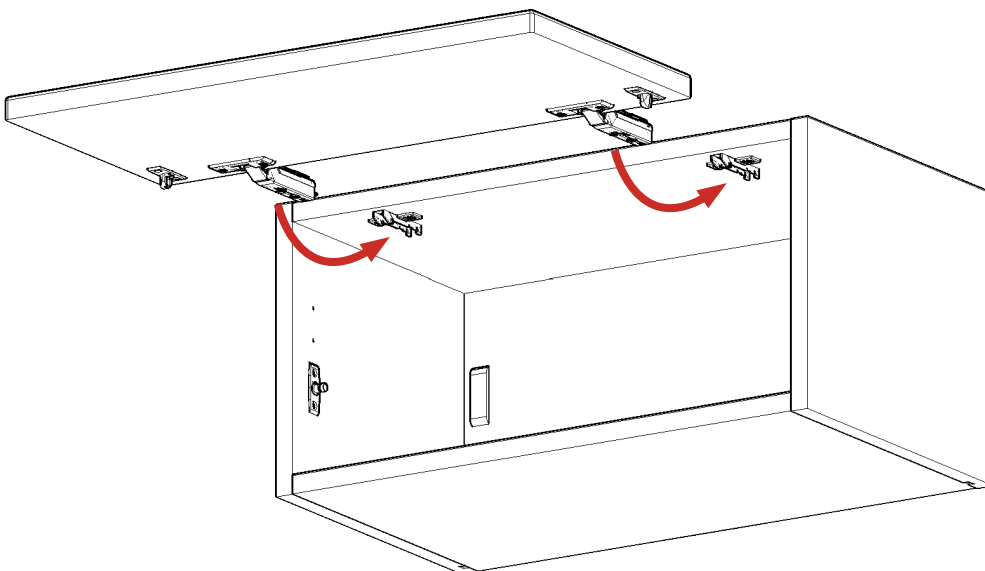
Step 3.

Insert hinges into hinge holes provided.



Step 4.

Secure hinges with the 2 x original screws.



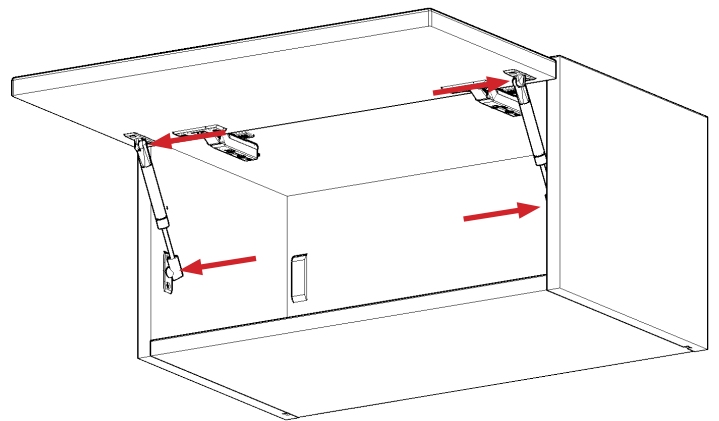
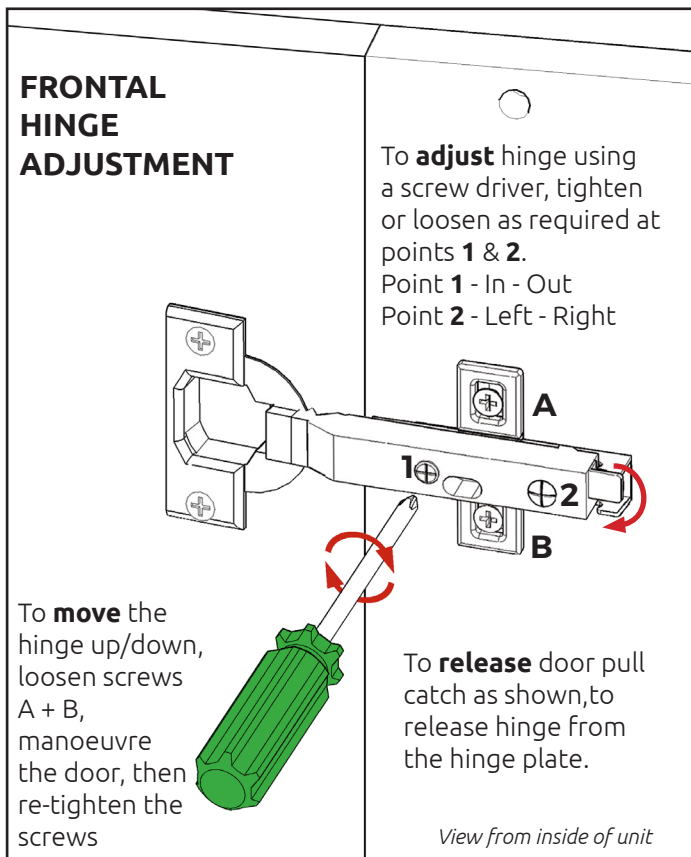
Step 5.

Clip hinges onto hinge mounting plates on the unit.

GRASS HINGE ADJUSTMENT (WHERE APPLICABLE)

Step 6.

Adjust hinges to suit. As shown below.

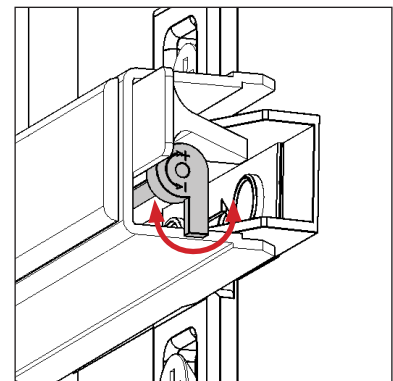
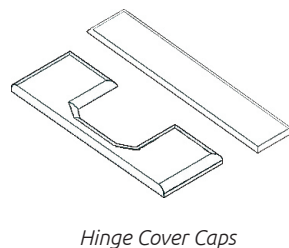
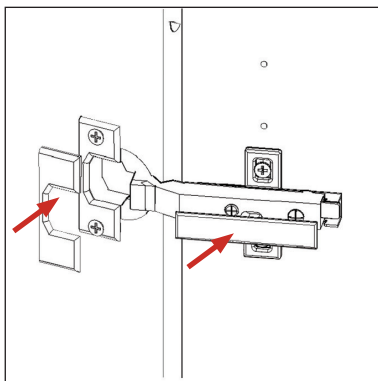


Step 7.

Clip piston onto piston mounting plates on the unit and frontal.

Step 8.

Fit cover caps to hinges. Adjust soft-close to suit.

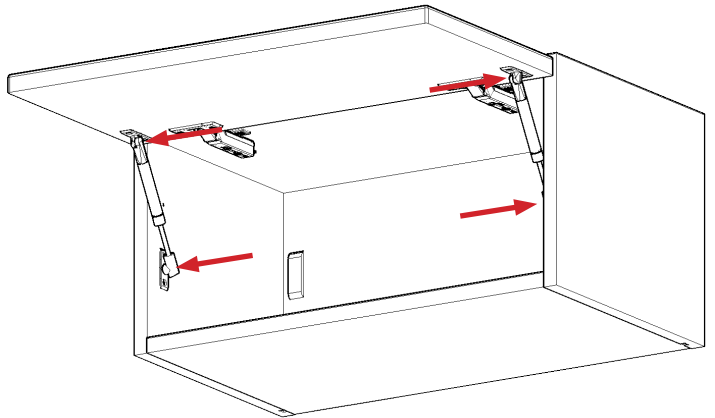
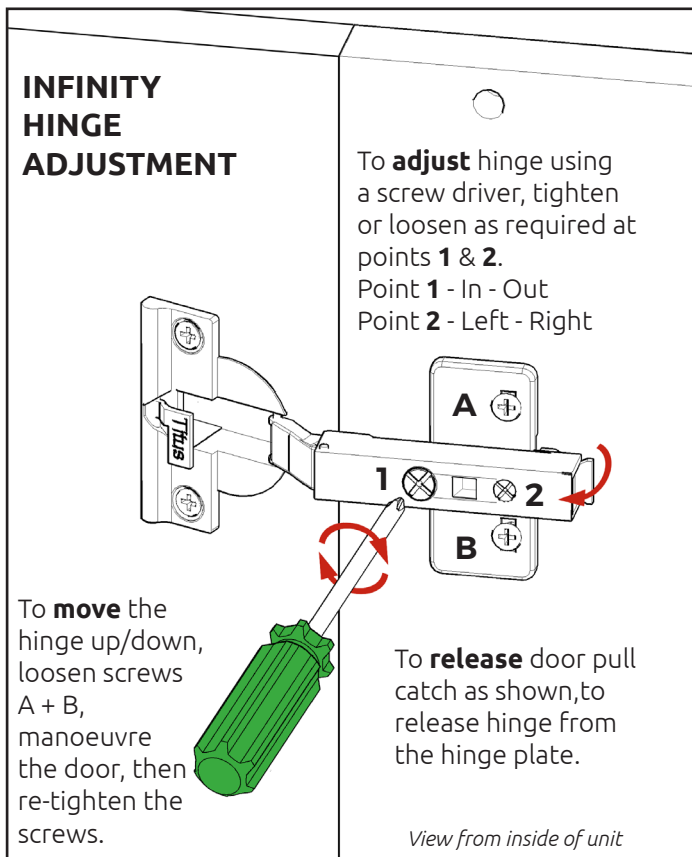


Both hinges **MUST** be adjusted to the **SAME STRENGTH**.

TITUS HINGE ADJUSTMENT (WHERE APPLICABLE)

Step 6.

Adjust hinges to suit. As shown below.

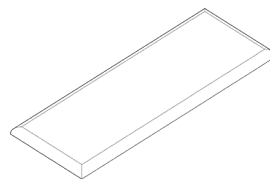
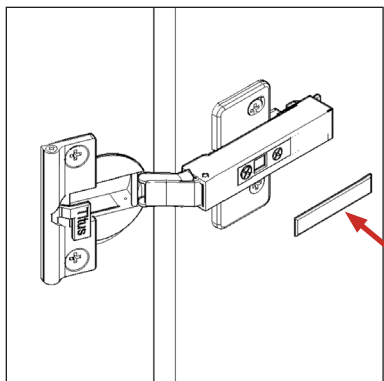


Step 7.

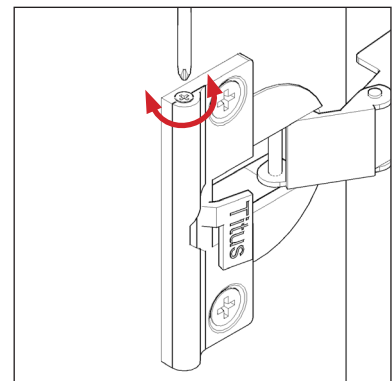
Clip piston onto piston mounting plates on the unit and frontal.

Step 8.

Fit cover cap to hinges. Adjust soft-close to suit.



Hinge Cover Caps



Both hinges **MUST** be adjusted to the **SAME STRENGTH**.

wren
KITCHENS