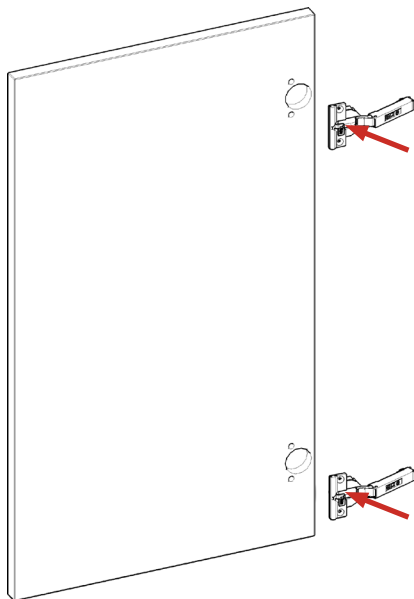


# FRONTALS

## Titus Hinge - Replacement Frontal Attachment Guide



For frontals with unit mechanisms, see specific mechanism instructions for frontal attachment guidelines.



### Step 1.

Discard existing hinge dowels and replace with new ones provided.

### Step 2.

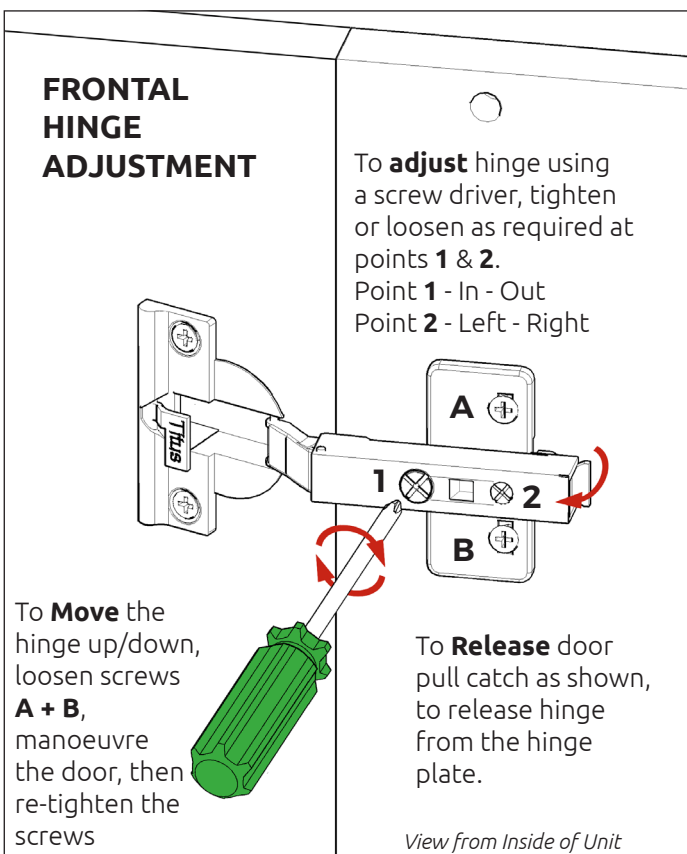
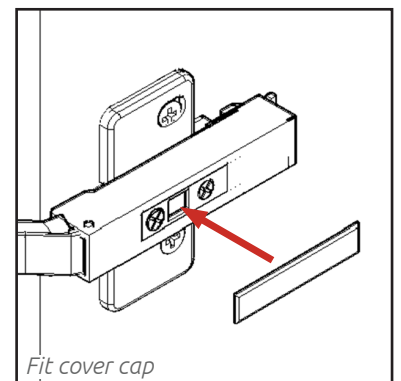
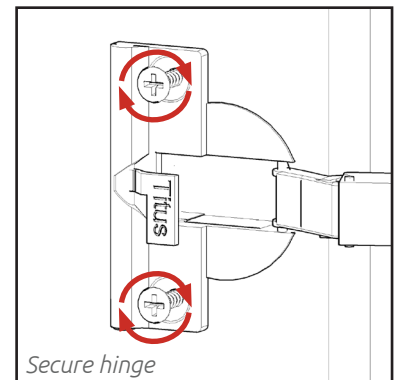
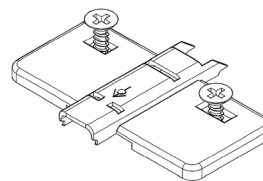
Insert hinges into hinge holes provided, in accordance with customer specific kitchen plan.

### Step 3.

Secure hinges with the 2 x screws already located in the hinges.

### Step 4.

Attach the door to unit, clip hinge onto hinge plate and click to secure.

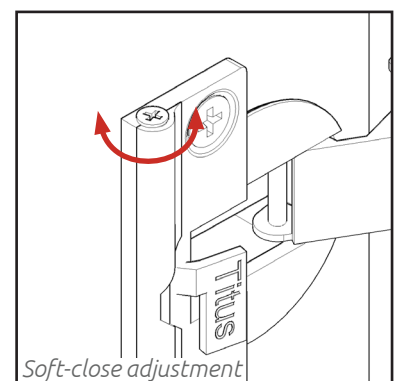
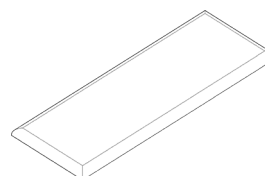


### Step 5.

Adjust hinge to suit. As shown on the left.

### Step 6.

Fit cover cap to hinge. Adjust soft-close to suit.



The top and bottom hinges **MUST** be adjusted to the **SAME STRENGTH**.

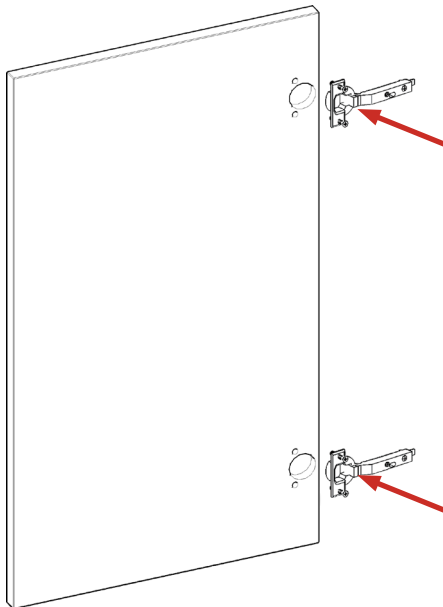
**wren**  
KITCHENS

# FRONTALS

## Grass Hinge - Replacement Frontal Attachment Guide



For frontals with unit mechanisms, see specific mechanism instructions for frontal attachment guidelines.



### Step 1.

Discard existing hinge dowels and replace with new ones provided.

### Step 2.

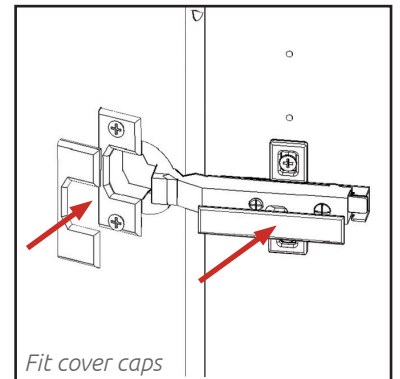
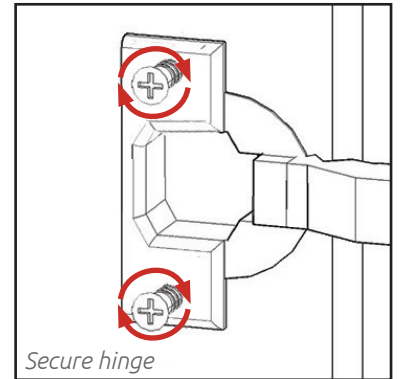
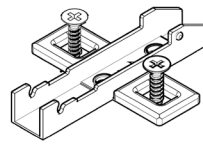
Insert hinges into hinge holes provided, in accordance with customer specific kitchen plan.

### Step 3.

Secure hinges with the 2 x screws already located in the hinges.

### Step 4.

Attach the door to unit, clip hinge onto hinge plate and click to secure.



### FRONTAL HINGE ADJUSTMENT

To **adjust** hinge using a screw driver, tighten or loosen as required at points **1 & 2**.  
 Point **1** - In - Out  
 Point **2** - Left - Right

To **Move** the hinge up/down, loosen screws **A + B**, manoeuvre the door, then re-tighten the screws

To **Release** door pull catch as shown, to release hinge from the hinge plate.

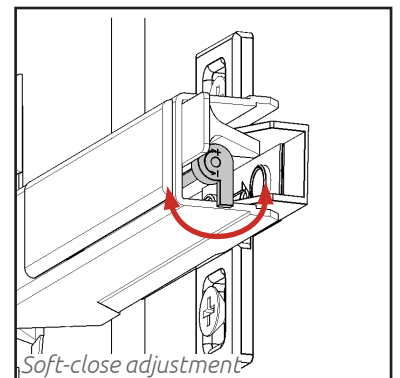
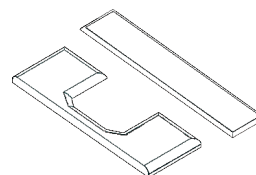
*View from Inside of Unit*

### Step 5.

Adjust hinge to suit. As shown on the left.

### Step 6.

Fit cover caps to hinge. Adjust soft-close to suit.



The top and bottom hinges **MUST** be adjusted to the **SAME STRENGTH**.