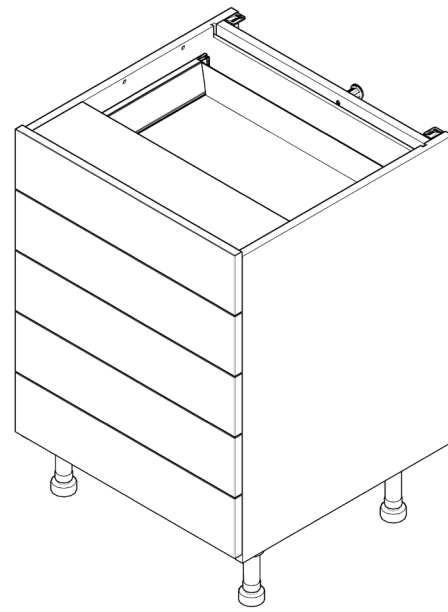
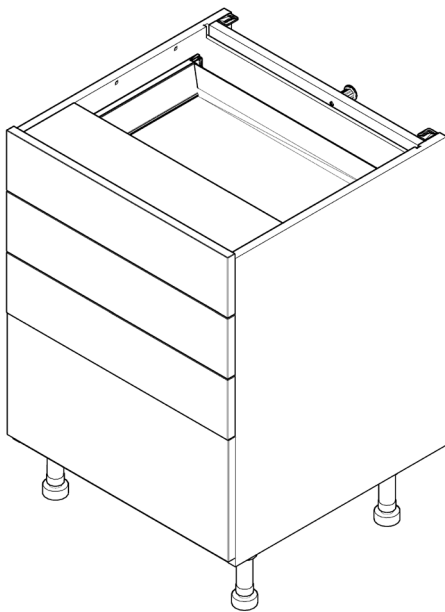
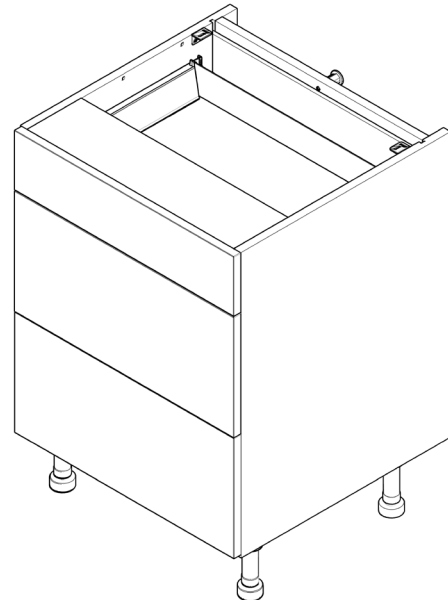
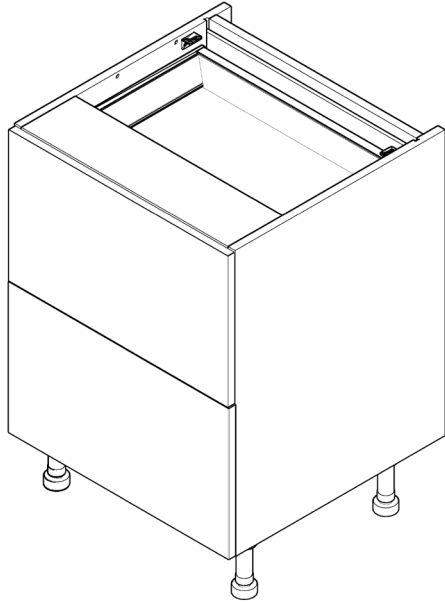


FRONTALS

Drawer Frontal Replacement Guide



- Pg 1. Grass Drawer Box Removal**
- Pg 2. Grass Drawer Box Insertion**
- Pg 3. Grass Standard Drawer**
- Pg 4. Grass Deep Drawer**
- Pg 5-6. Grass Glass Drawer**
- Pg 7. TM Drawer Box Removal**
- Pg 8. TM Drawer Insertion**
- Pg 9. TM Standard Drawer**
- Pg 10. TM Mid Drawer**
- Pg 11. TM Deep Drawer**
- Pg 12. TM Mid Glass Drawer**
- Pg 13. TM Deep Glass Drawer**
- Pg 14. TM Drawer Side Cover Cap**

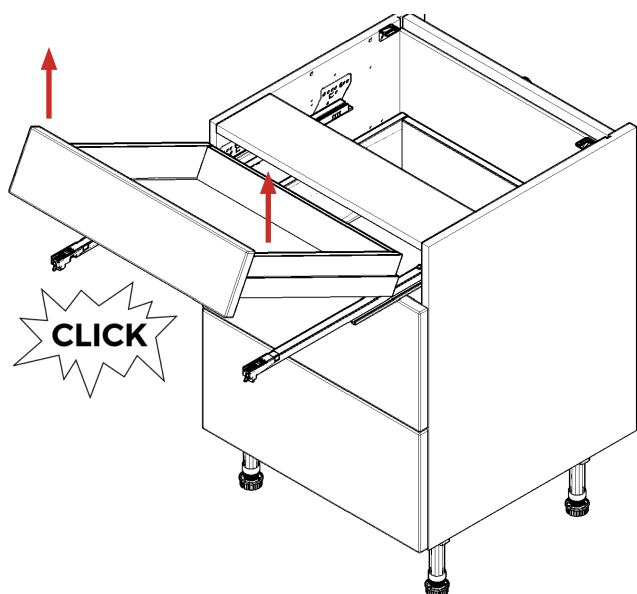
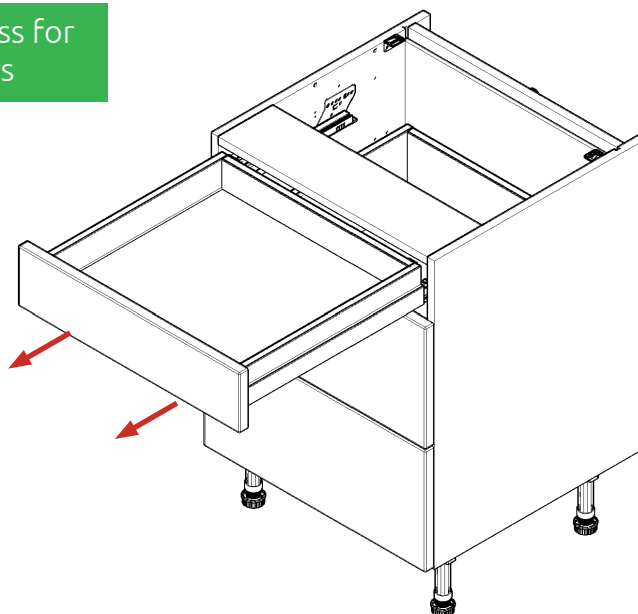
GRASS DRAWER BOX REMOVAL



Removing a drawer is the same process for Standard, Deep and Glass Drawers

Step 1.

Open the drawer that is required to be removed. Pull out the drawer until the runners are at full extension.



Step 2.

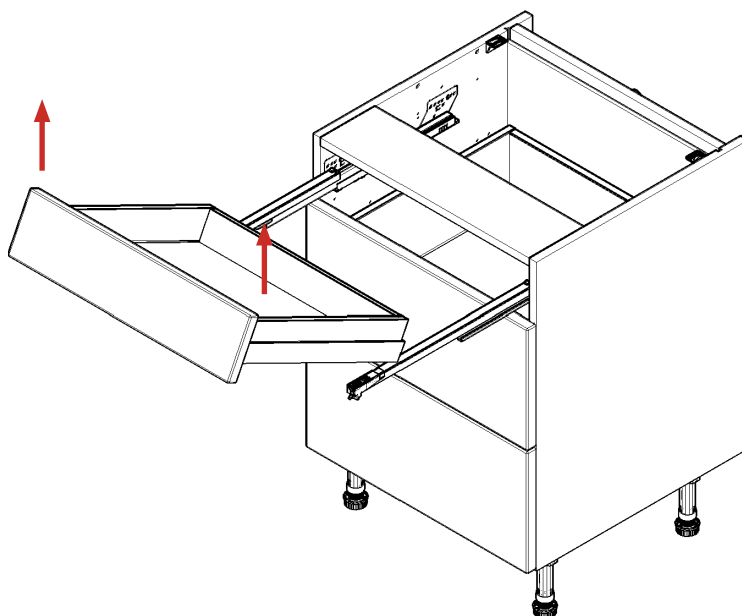
In one smooth motion, lift the front of the drawer, this will disconnect the runner from the connectors on the base of the drawer. Once properly separated a click will be heard and the drawer will be separate from the runner.

If this motion is not done with enough force then the drawer may need to be lifted again.

Be careful not to lift the runners whilst lifting the drawer.

Step 3.

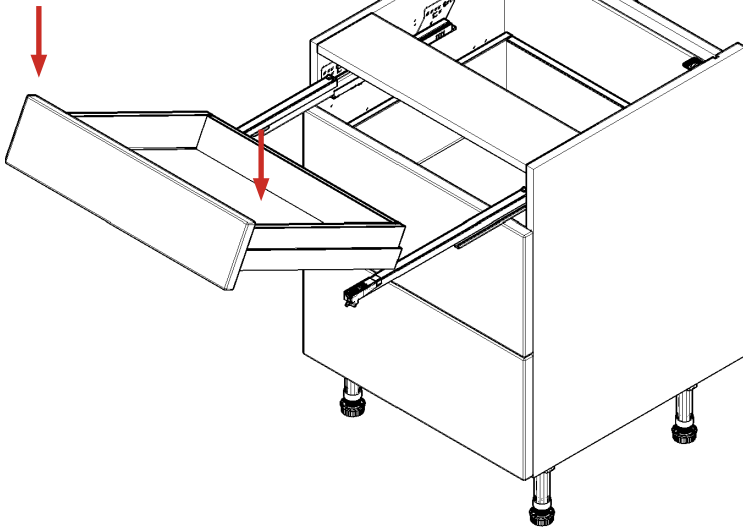
The drawer is free to remove from the unit. Simply remove the loose drawer from the unit, making sure not to damage the unit in the process.



GRASS DRAWER BOX INSERTION

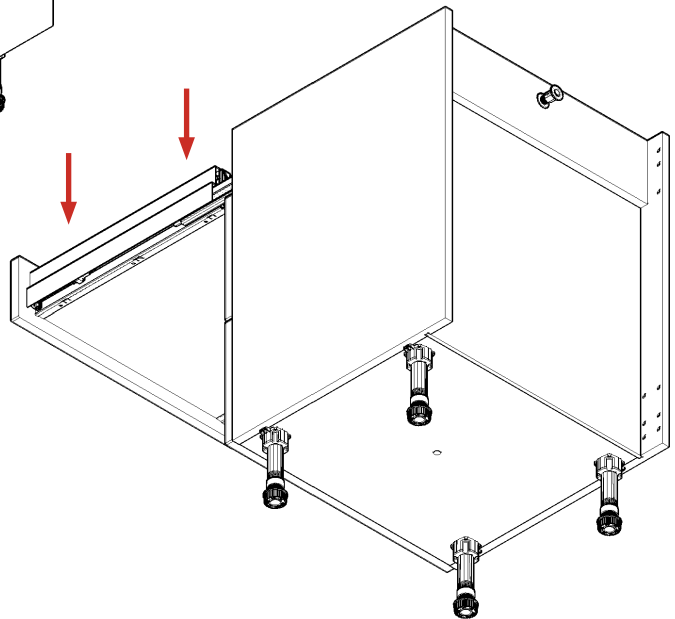


Inserting a drawer is the same process for Standard, Deep and Glass Drawers



Step 1.

Fully extend the drawer runners out of the unit (for the drawer you are inserting).



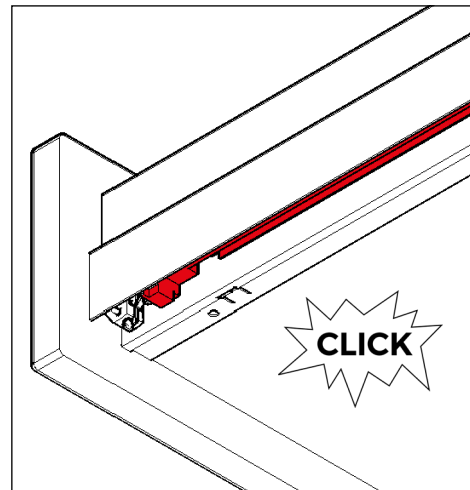
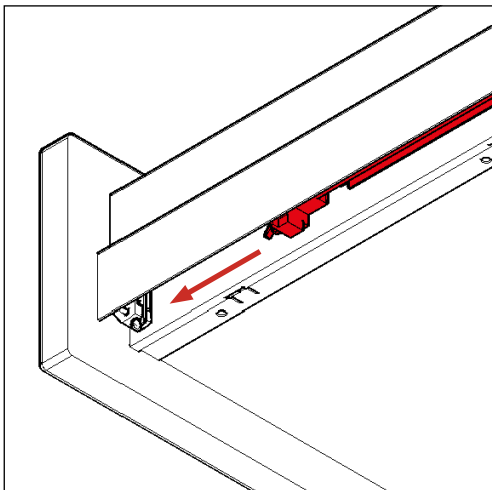
Step 2.

Place the drawer onto the runners, making sure that the groove of the drawer sides and the runner mechanism are aligned.

Step 3.

Once the drawer is placed onto the runners, pull forward the protruding lips on the ends of the runners until a click is heard. Once the click is heard the drawer is properly located and secured to the runner.

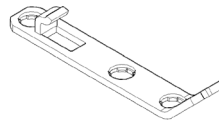
Push the drawer back into the Unit.



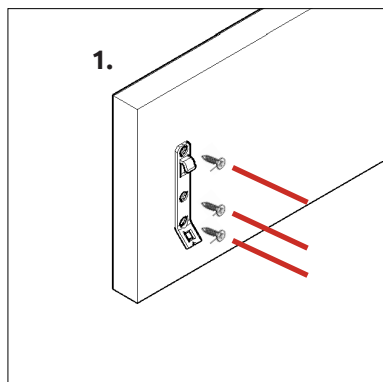
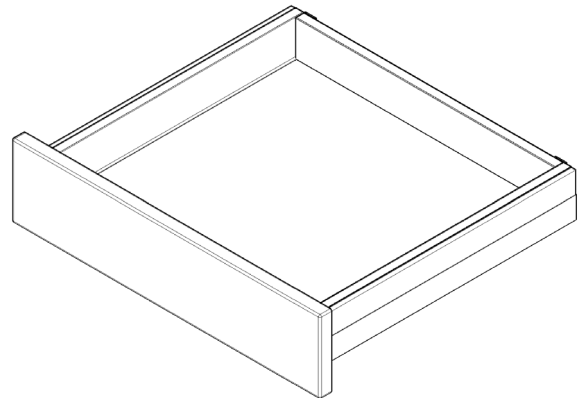
GRASS STANDARD DRAWER

Step 1.

Attach the frontal fixings to the drawer frontal using 3 x 15mm screws per bracket using the screw hole positions as shown.



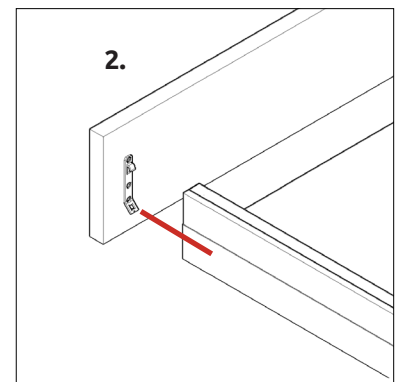
Frontal fixing



1.

Step 2.

Attach the drawer front by pushing the frontal onto the sides, aligning the mechanism with the fixings.

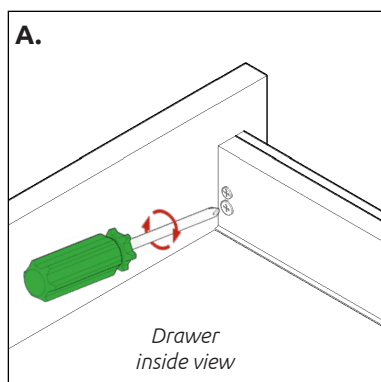


2.

Step 3. Drawer frontal adjustment

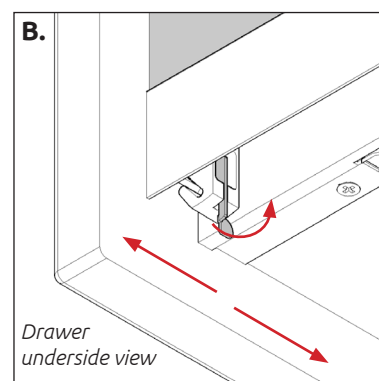
A. Loosen top screw. Turn the bottom screw to adjust drawer frontal height, once in desired position re-tighten the top screw.

B. Press in the fixing clips half way, located at the bottom of the frontal on both sides of the drawer. Adjust the position of the drawer frontal, left or right. Release the frontal fixing clips on both sides of the drawer to secure the frontal in the new position.



A.

Drawer
inside view



B.

Drawer
underside view

Step 4.

Fit drawer cover caps over drawer side adjustment screws.

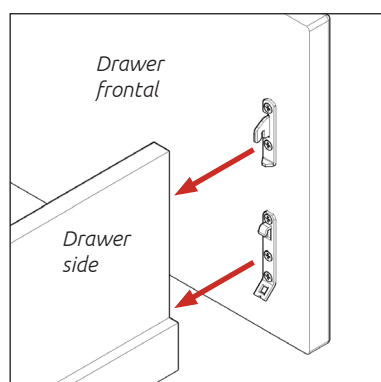
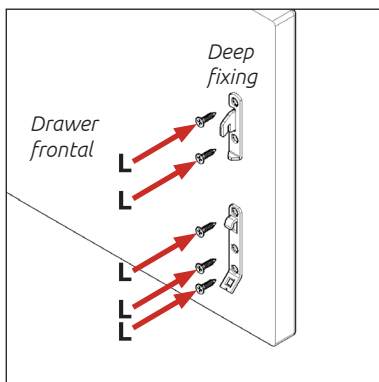
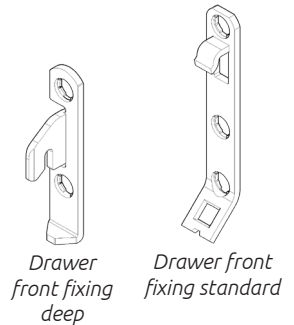
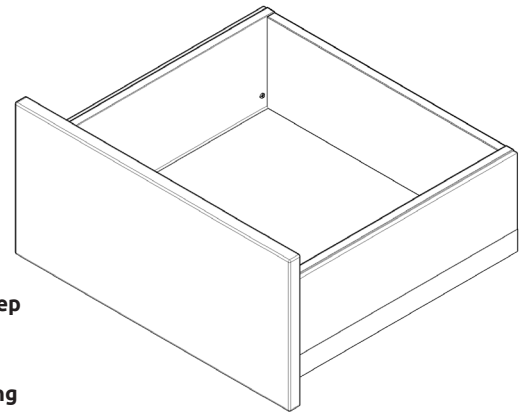
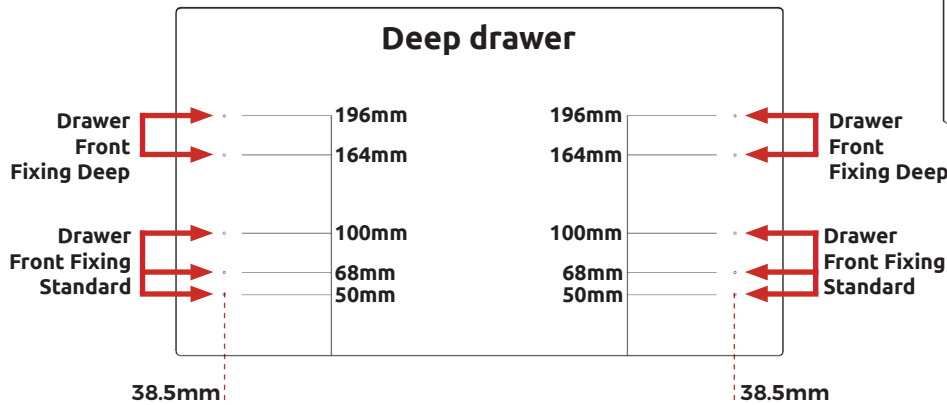


Cover caps

GRASS DEEP DRAWER

Step 1.

Attach the frontal fixings standard and deep to the draw frontal using 5 x 15mm screws using the screw hole positions as shown.

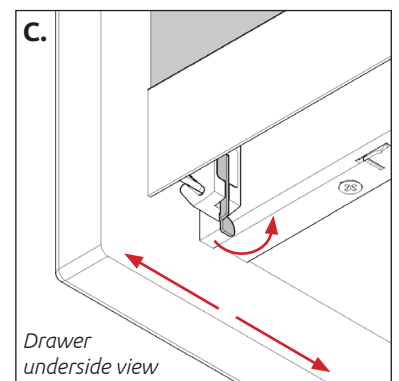
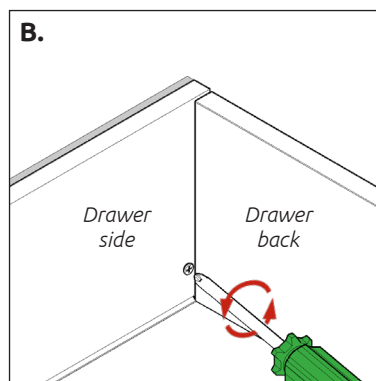
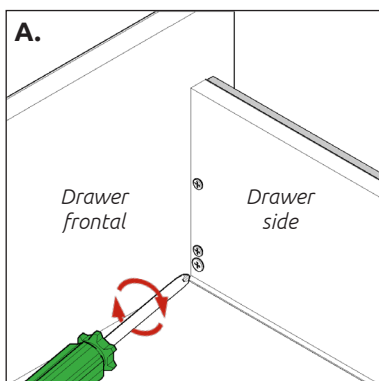


Step 2.

Attach the drawer front by pushing the frontal onto the sides, aligning the mechanism with the fixings.

Step 3. Drawer frontal adjustment

- A.** Loosen top two screws. Turn the bottom screw to adjust frontal height, once in desired position re-tighten the top screws.
- B.** Turn the screw to adjust rear elevation of the drawer.
- C.** Press in the fixing clips half way, located at the bottom of the frontal on both sides of the drawer. Adjust the position of the drawer frontal, left or right. Release the frontal fixing clips on both sides of the drawer to secure the frontal in the new position.



Step 4.

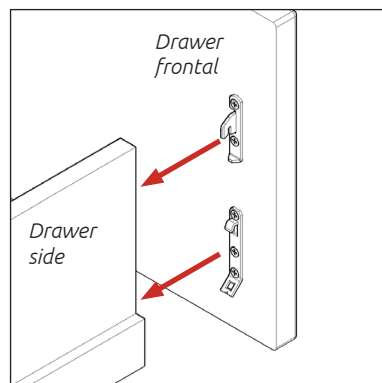
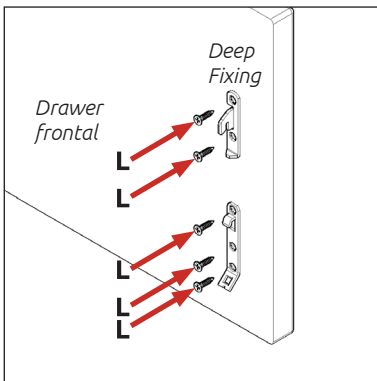
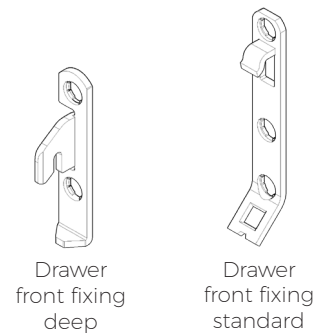
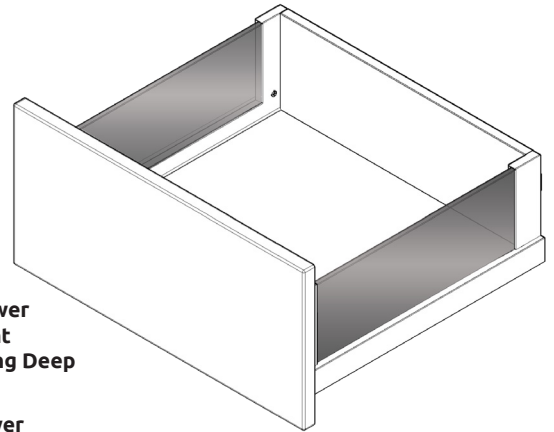
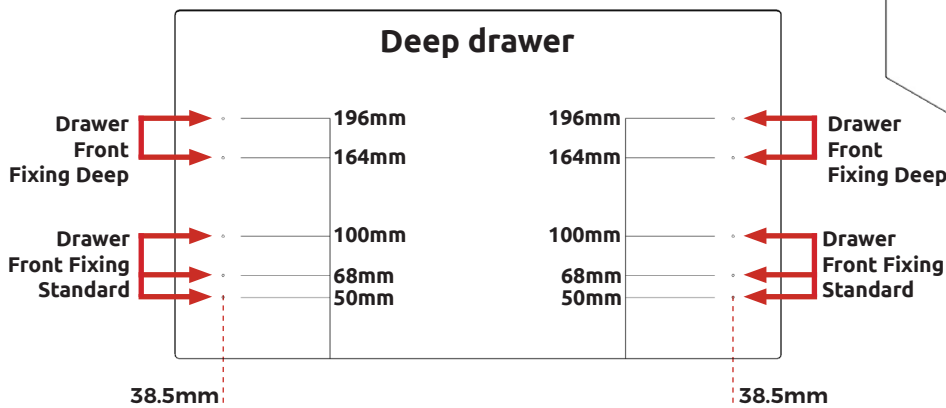
Fit drawer cover caps over drawer side adjustment.



GRASS GLASS DRAWER

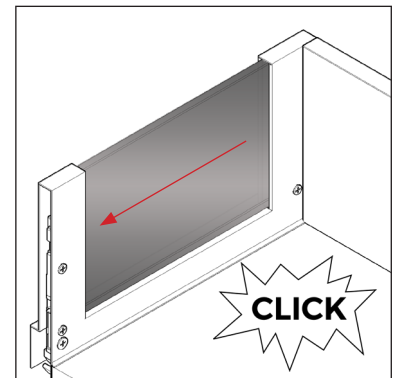
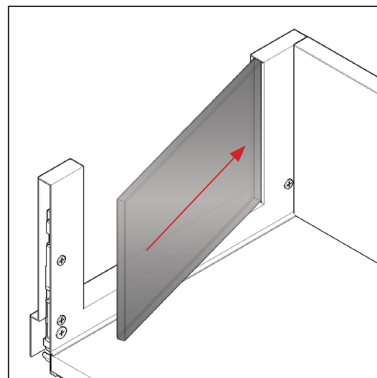
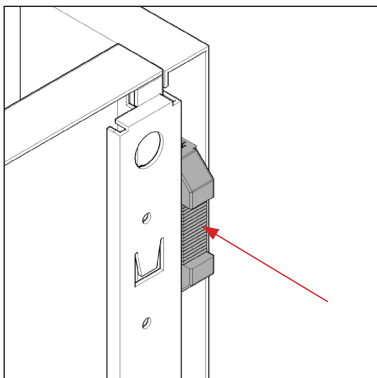
Step 1.

Attach the frontal fixings standard and deep to the draw frontal using 5 x 15mm screws using the screw hole positions as shown.



Step 2.

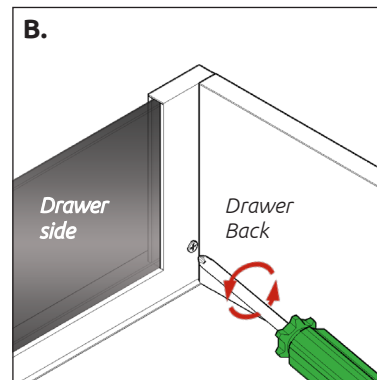
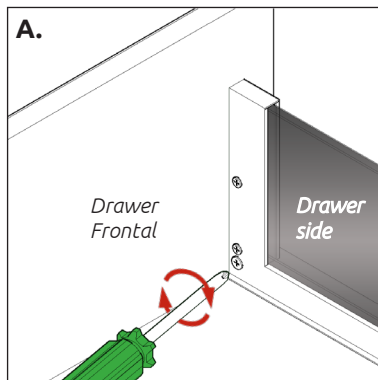
Attach the drawer front by pushing the frontal onto the sides, aligning the mechanism with the fixings.



Step 3. Glass Panel Attachment

Push the button in on the back of the drawer side. Slide the glass panel into the opening at the back of the drawer side. Push the glass panel forwards into the opening at the front until you hear a click.

GRASS GLASS DRAWER

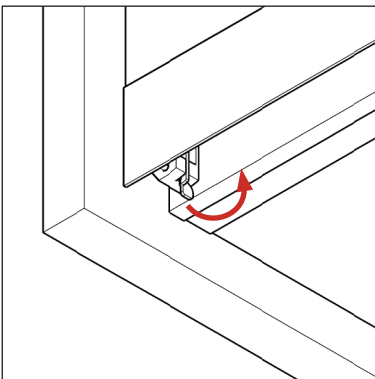


Step 4. Drawer frontal adjustment

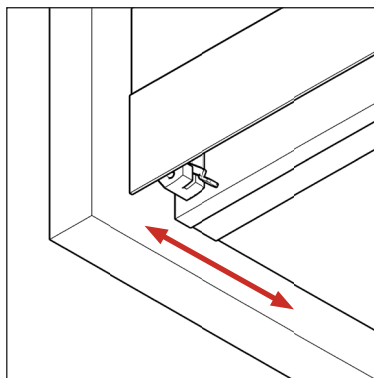
A. Loosen top two screws. Turn the bottom screw to adjust frontal height, once in desired position re-tighten the top screws.

B. Turn screw to adjust rear elevation of drawer.

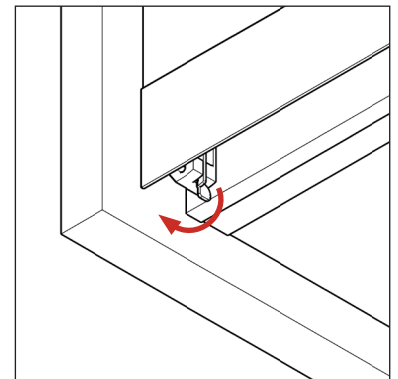
Step 5. Adjust the frontal horizontally



5A. Press in the fixing clips half way, located at the bottom of the frontal where they meet the runners on both sides of the drawer.



5B. Adjust the position of the drawer frontal, left or right.



5C. Release the frontal fixing clips on both sides of the drawer to secure the frontal in the new position.

Step 6.

Fit drawer cover caps over drawer side adjustment screws.



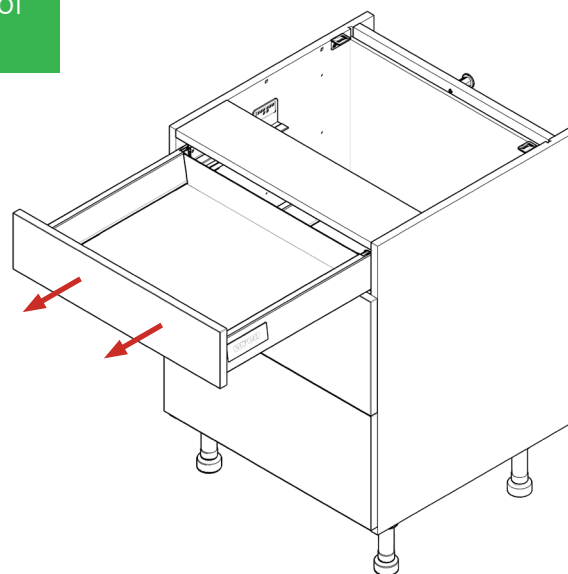
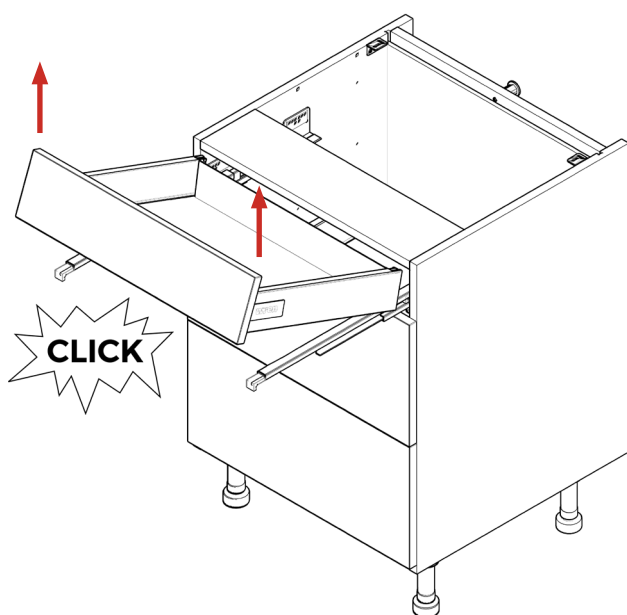
TM DRAWER BOX REMOVAL



Removing a drawer is the same process for Standard, Mid, Deep and Glass Drawers

Step 1.

Open the drawer that is required to be removed. Pull out the drawer until the runners are at full extension.



Step 2.

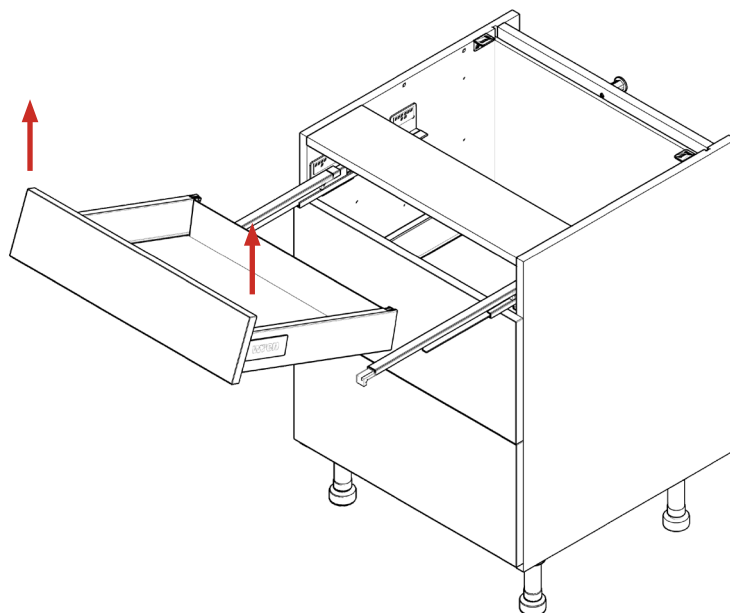
In one smooth motion, lift the front of the drawer, this will disconnect the runner from the connectors on the base of the drawer. Once properly separated a click will be heard and the drawer will be separate from the runner.

If this motion is not done with enough force then the drawer may need to be lifted again.

Be careful not to lift the runners whilst lifting the drawer.

Step 3.

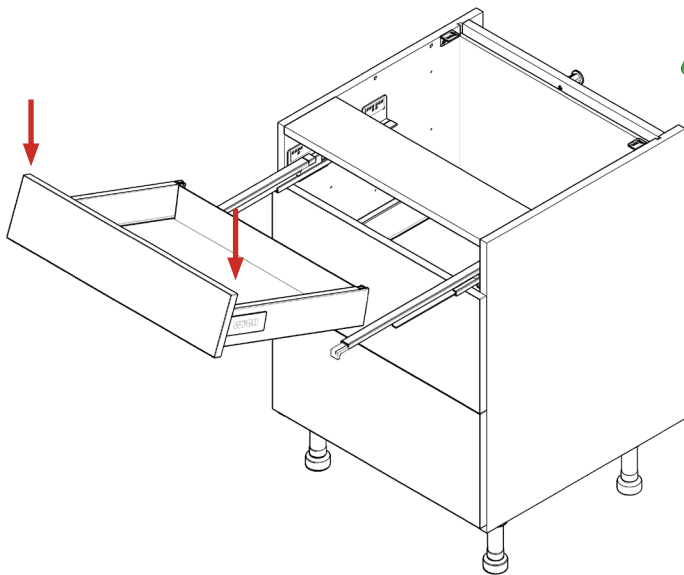
The drawer is free to remove from the unit. Simply remove the loose drawer from the unit, making sure not to damage the unit in the process.



TM DRAWER BOX INSERTION



Inserting a drawer is the same process for Standard, Mid, Deep and Glass Drawers



Step 2.

Place the drawer onto the runners, making sure that the groove of the drawer sides and the runner mechanism are aligned.

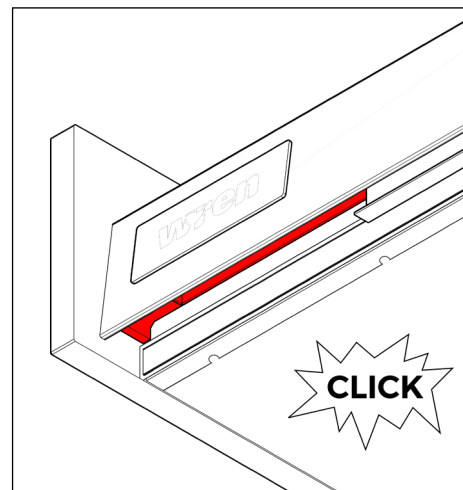
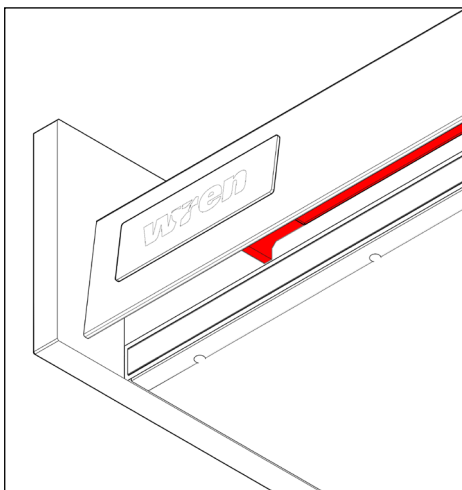
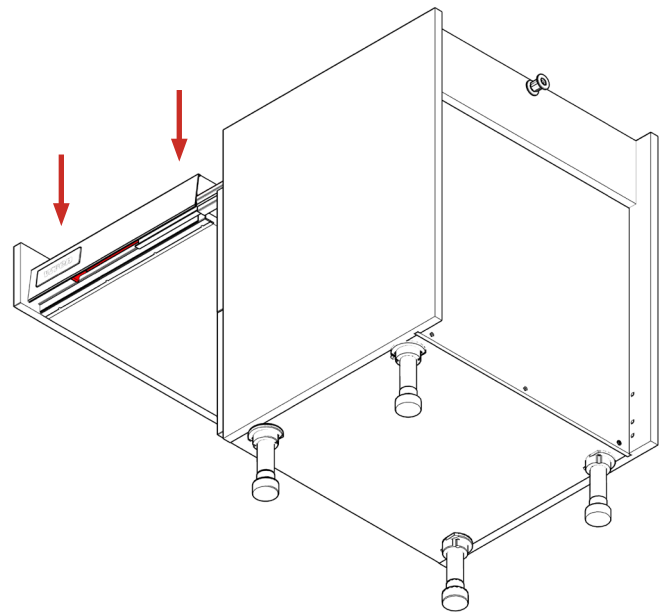
Step 3.

Once the drawer is placed onto the runners, pull forward the protruding lips on the ends of the runners until a click is heard. Once the click is heard the drawer is properly located and secured to the runner.

Push the drawer back into the Unit.

Step 1.

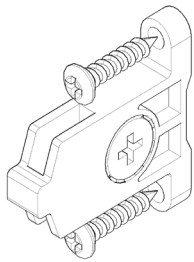
Fully extend the drawer runners out of the unit (for the drawer you are inserting).



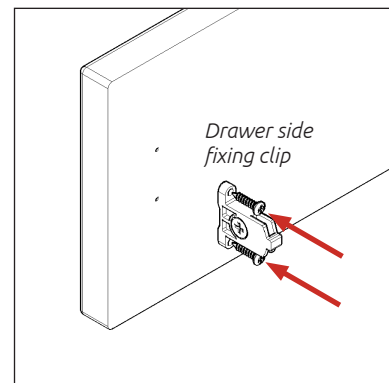
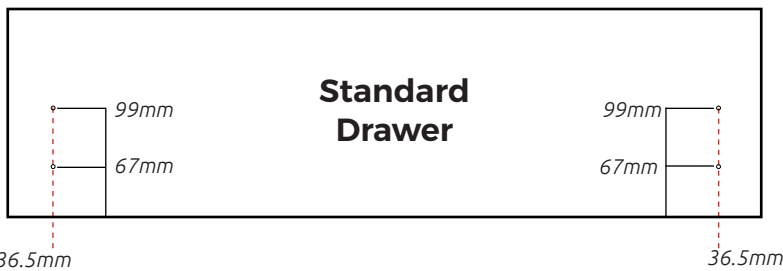
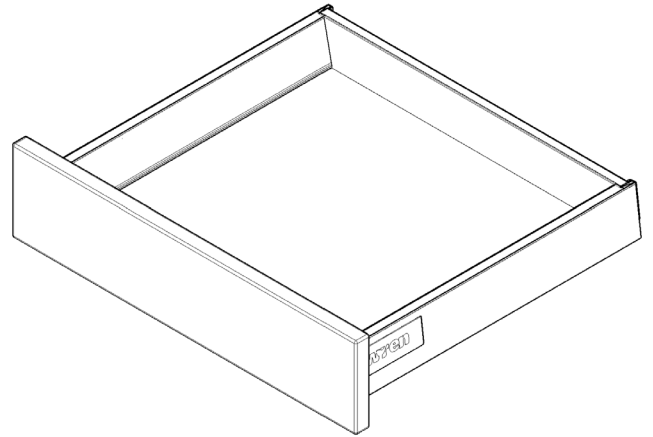
TM STANDARD DRAWER

Step 1.

Secure drawer side fixing clips using 2 x 21mm screws in pilot holes provided as shown below.

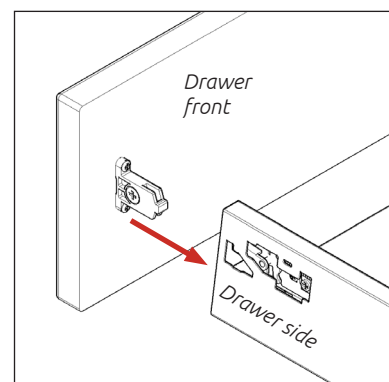


Fixing clip



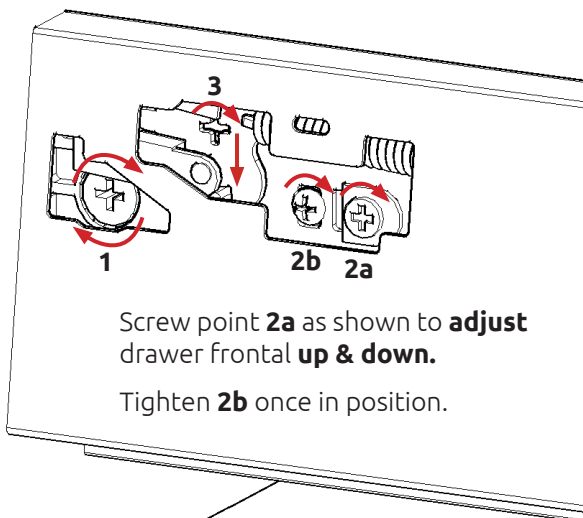
Step 2.

Push fit drawer side fixing clips onto drawer side.



DRAWER FRONTAL ADJUSTMENT

Screw point **1** as shown to **adjust** drawer frontal **left & right**.



Screw point **2a** as shown to **adjust** drawer frontal **up & down**.

Tighten **2b** once in position.

Releasing fixing clip.
Screw point **3** whilst applying downward pressure as shown to release.



Drawer cover cap

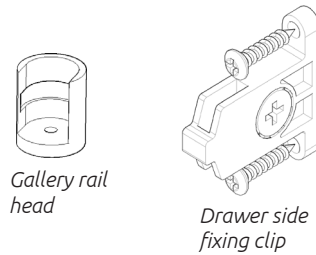
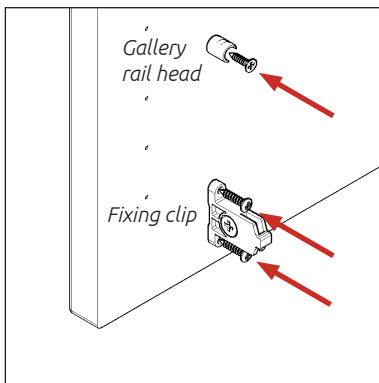
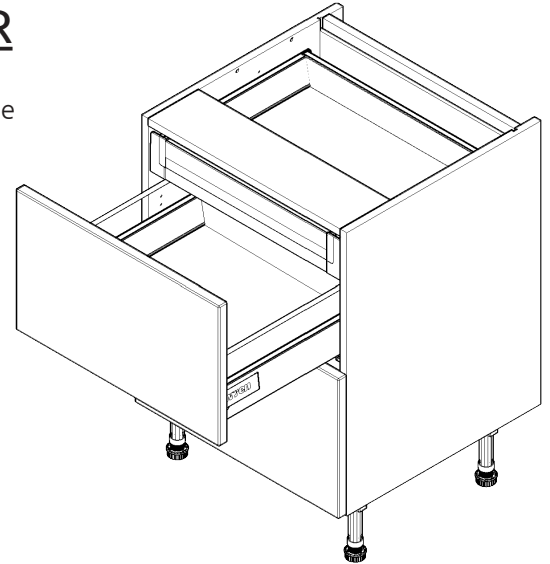
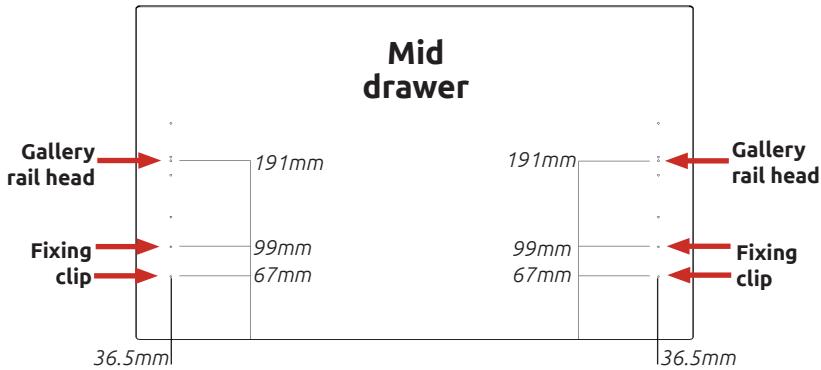
Step 3.

Fit drawer cover caps over drawer side adjustment. See page 14 for more details.

TM MID DRAWER

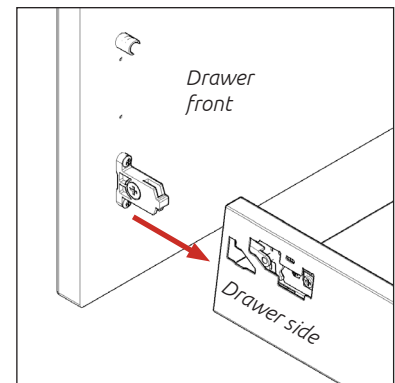
Step 1.

Secure gallery head fixing clips using 1 x 15mm screw and secure drawer side fixing clips using 2 x 21mm screws in pilot holes provided as shown below.



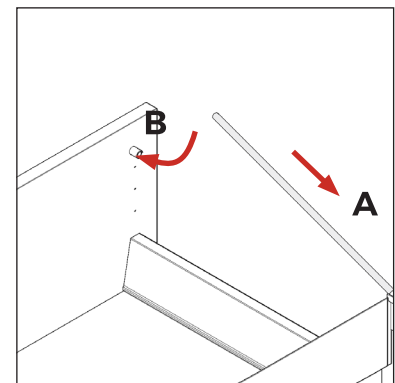
Step 2.

Push fit drawer side fixing clips onto drawer side.



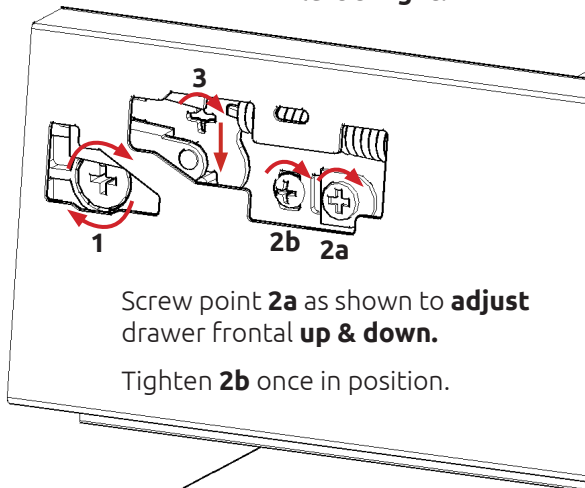
Step 3.

A. Clip gallery rail into the top corners of the metal back panel.
 B. Locate front end of the gallery rail into the opening of the gallery head fixing clip, which is secured to the frontal as shown.



DRAWER FRONTAL ADJUSTMENT

Screw point **1** as shown to **adjust** drawer frontal **left & right**.



Screw point **2a** as shown to **adjust** drawer frontal **up & down**.

Tighten **2b** once in position.

Releasing fixing clip. Screw point **3** whilst applying downward pressure as shown to release.



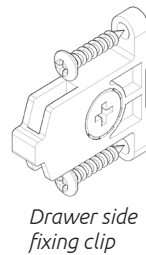
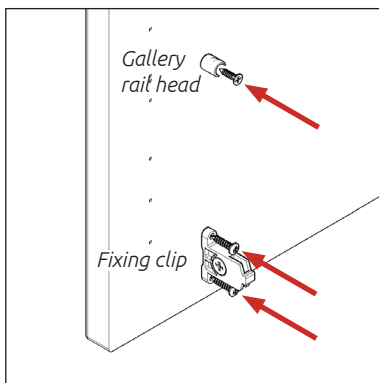
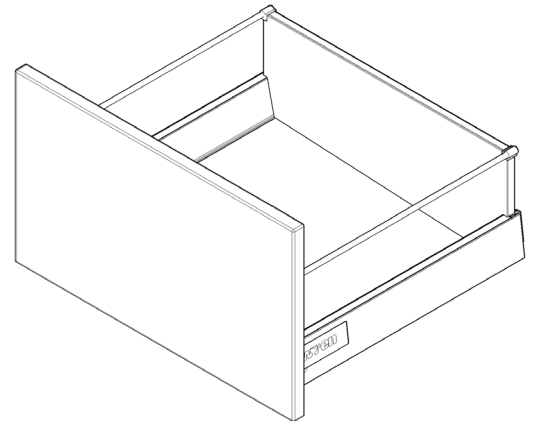
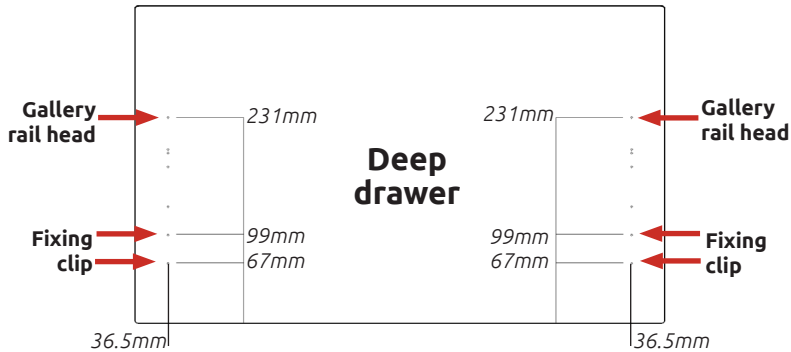
Step 4.

Fit drawer cover caps over drawer side adjustment. See page 14 for more details.

TM DEEP DRAWER

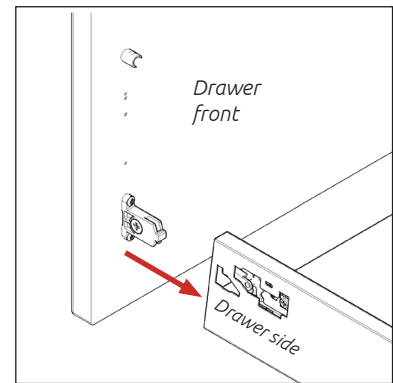
Step 1.

Secure gallery rail head using 1 x 15mm screw and secure drawer side fixing clips using 2 x 21mm screws in pilot holes provided as shown below.



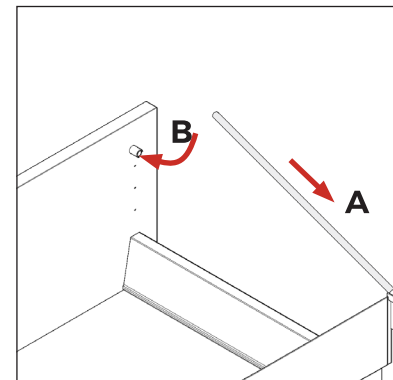
Step 2.

Push fit drawer side fixing clips onto drawer side.



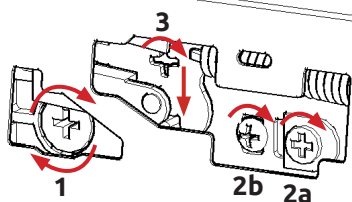
Step 3.

A. Clip gallery rail into the top corners of the metal back panel.
B. Locate front end of the gallery rail into the opening of the gallery head fixing clip, which is secured to the frontal as shown.



DRAWER FRONTAL ADJUSTMENT

Screw point **1** as shown to **adjust** drawer frontal **left & right**.



Screw point **2a** as shown to **adjust** drawer frontal **up & down**.

Tighten **2b** once in position.

Releasing fixing clip.
Screw point **3** whilst applying downward pressure as shown to release.



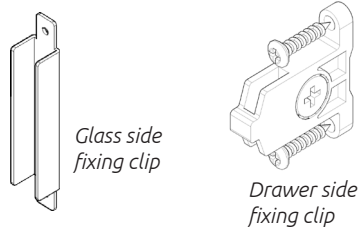
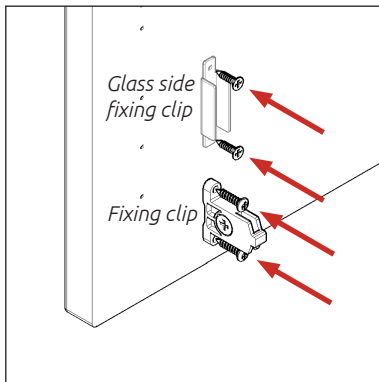
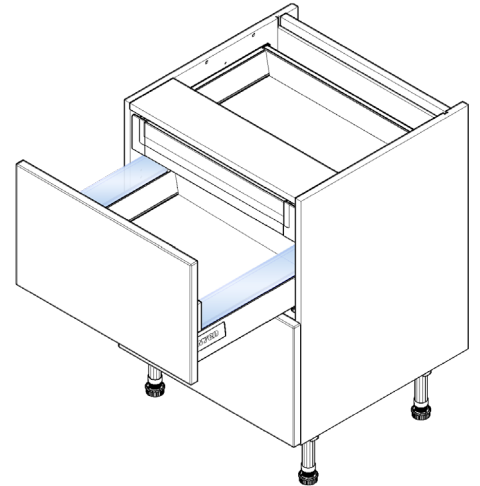
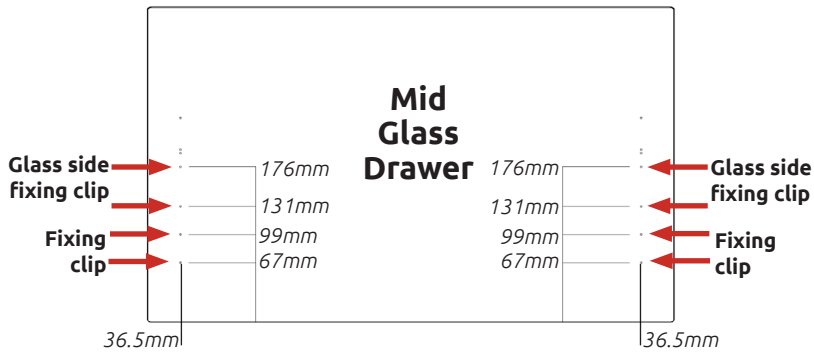
Step 4.

Fit drawer cover caps over drawer side adjustment. See page 14 for more details.

TM MID GLASS DRAWER

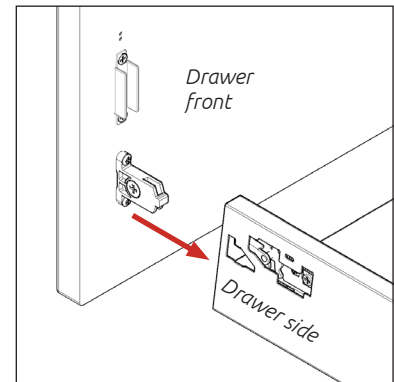
Step 1.

Secure glass side fixing clips using 2 x 15mm screws and secure drawer side fixing clips using 2 x 21mm screws in pilot holes provided as shown below.



Step 2.

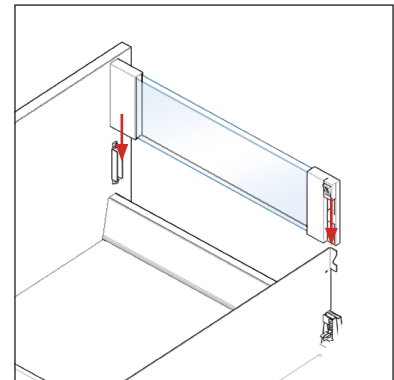
Push fit drawer side fixing clips onto drawer side.



Step 3.

Fit glass sides with end caps attached. Use the groove on the front end cap as a guide to slide into place onto frontal glass fixing clip, and into metal back as shown.

Depress the rear end clip release catch and lift to remove the side.



Drawer cover cap



Step 4.

Fit drawer cover caps over drawer side adjustment. See page 14 for more details.

DRAWER FRONTAL ADJUSTMENT

Screw point **1** as shown to **adjust** drawer frontal **left & right**.

Screw point **2a** as shown to **adjust** drawer frontal **up & down**.

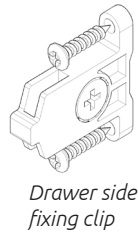
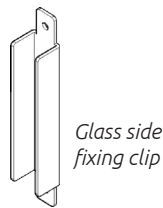
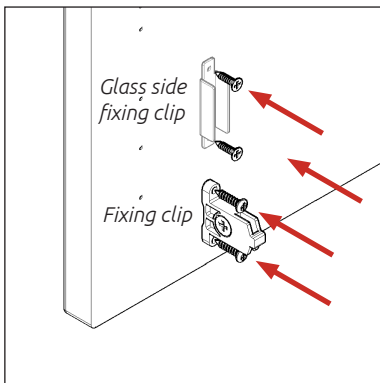
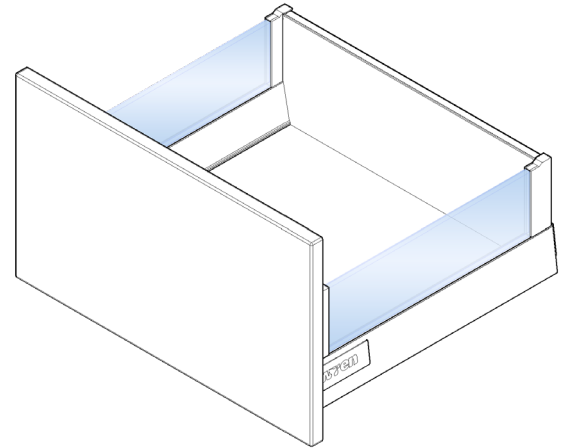
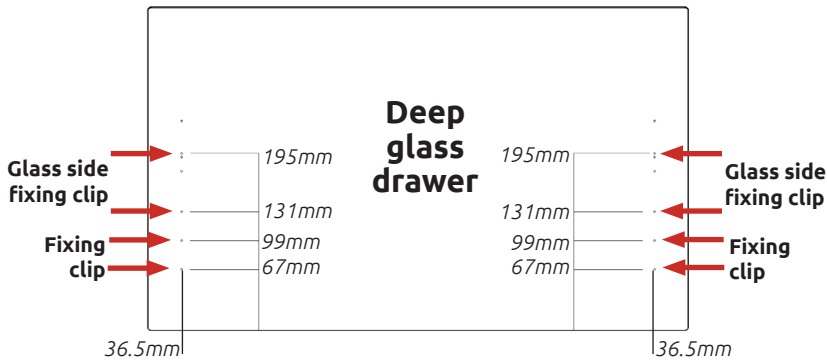
Tighten **2b** once in position.

Releasing fixing clip. Screw point **3** whilst applying downward pressure as shown to release.

TM DEEP GLASS DRAWER

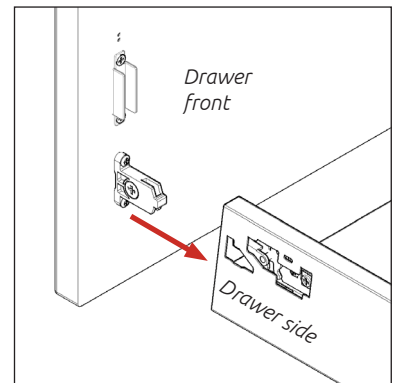
Step 1.

Secure glass side fixing clips using 2 x 15mm screws and secure drawer side fixing clips using 2 x 21mm screws in pilot holes provided as shown below.



Step 2.

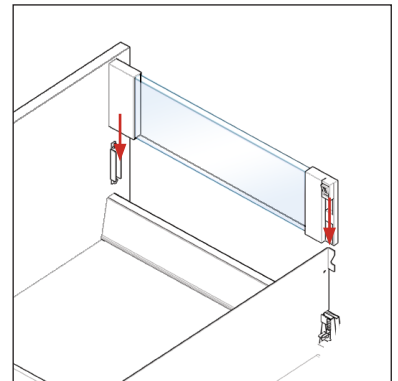
Push fit drawer side fixing clips onto drawer side.



Step 3.

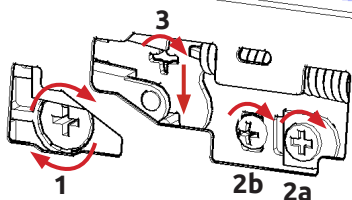
Fit glass sides with end caps attached. Use the groove on the front end cap as a guide to slide into place onto frontal glass fixing clip, and into metal back as shown.

Depress the rear end clip release catch and lift to remove the side.



DRAWER FRONTAL ADJUSTMENT

Screw point **1** as shown to **adjust** drawer frontal **left & right**.



Screw point **2a** as shown to **adjust** drawer frontal **up & down**.

Tighten **2b** once in position.

Releasing fixing clip.
Screw point **3** whilst applying downward pressure as shown to release.



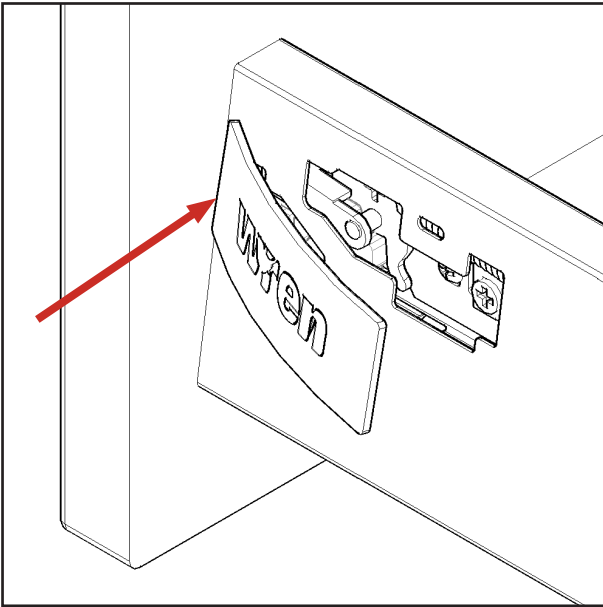
Step 4.

Fit drawer cover caps over drawer side adjustment. See page 14 for more details.

DRAWER SIDE COVER CAPS

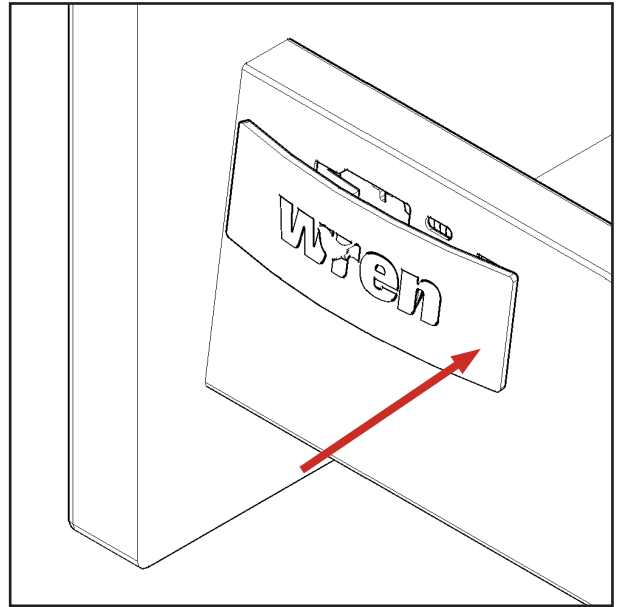
Step 1

Fit drawer cover caps over drawer side adjustment. Position the edge closest to the frontal first.



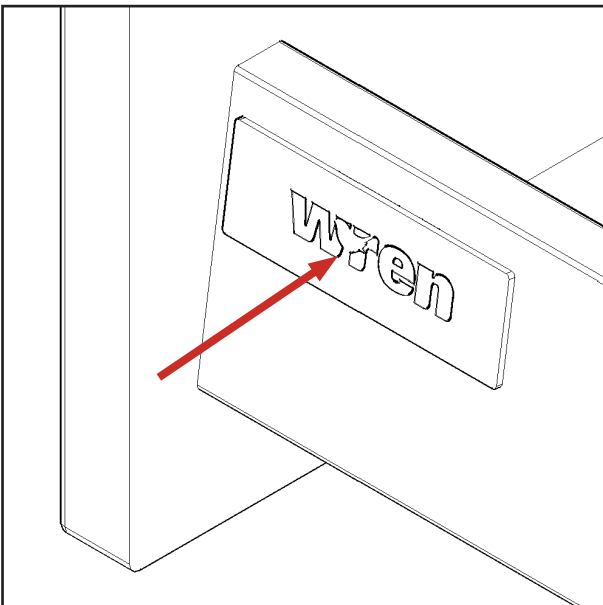
Step 2

Position the far side edge into place.



Step 3

Press the cover cap against the drawer side to secure it in place. Repeat on the opposite side.



wren
KITCHENS