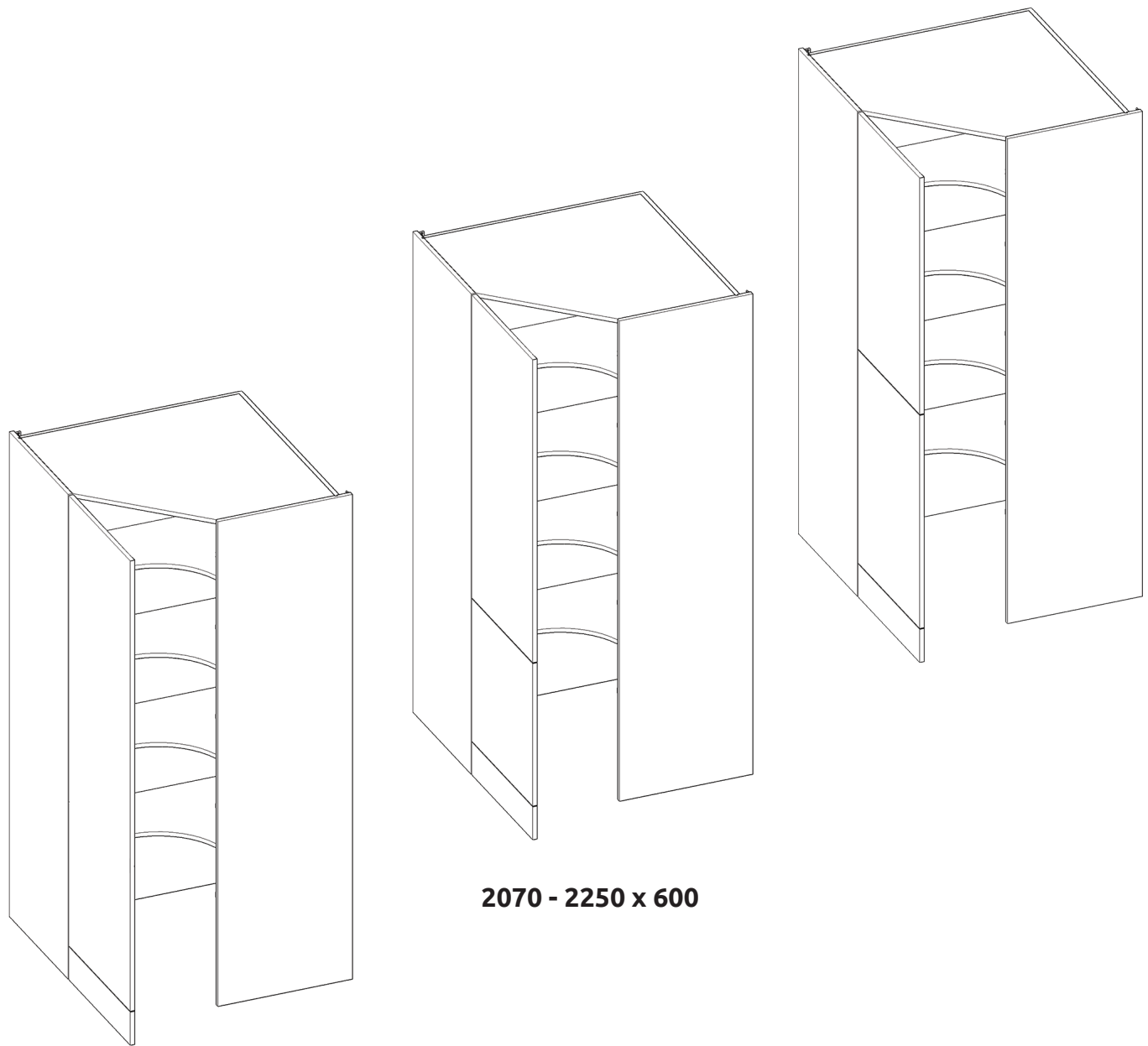
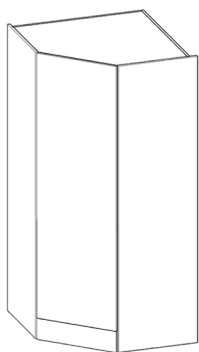


TOWER UNIT

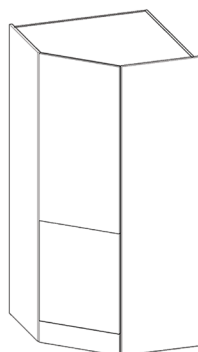
2070 & 2250 Walk In Tower Assembly Guide



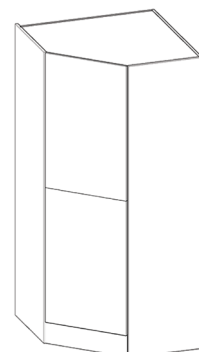
2070 - 2250 x 600



1 Door



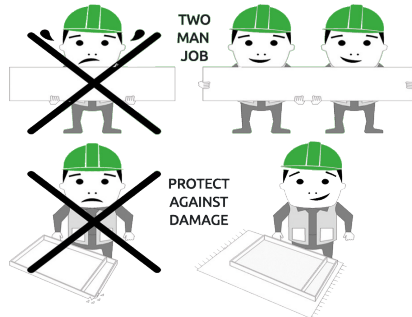
70/30 Door



50/50 Door

TOWER UNIT

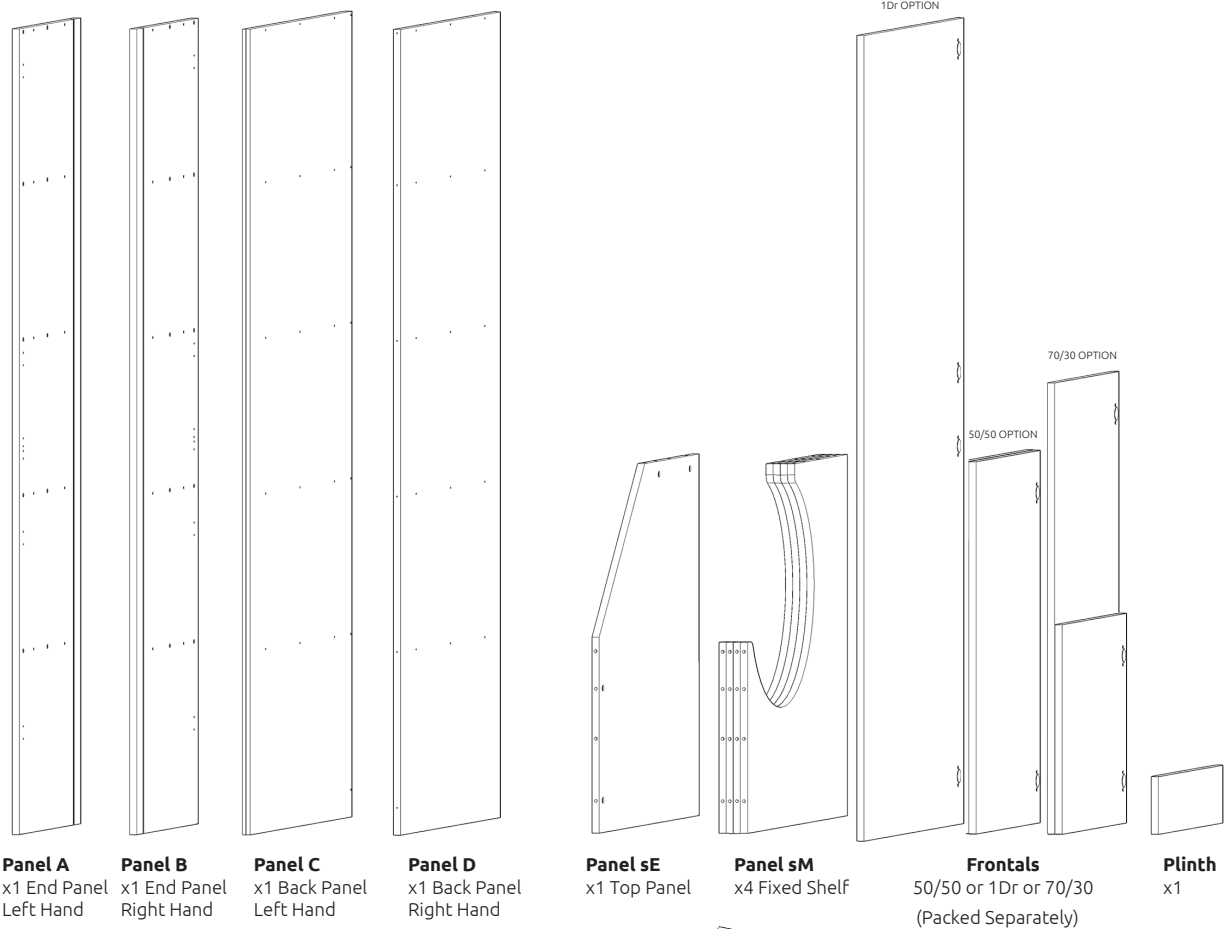
2070 & 2250 Walk In Tower Assembly Guide



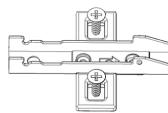
BEFORE YOU START

INSTALLATION SHOULD BE PERFORMED BY A COMPETENT PERSON ONLY.

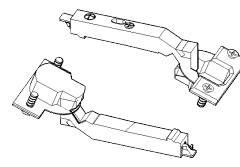
THIS PRODUCT COULD BE DANGEROUS IF INCORRECTLY INSTALLED



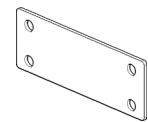
L Bracket (LGE)
x4



Hinge Mounting Plate
Inc Screws



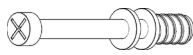
Hinge
Inc Screws



Fixing Plate (U)
x4



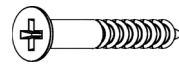
(F) x40
Wooden Dowel



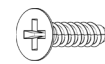
(W) x20
Cam Dowel



(H) x20
Cam lock



(K) x36
45mm Screws



(L) x12
15mm Screws

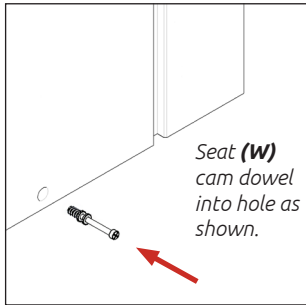


(M) x8
Cover Cap
(Per Colour)

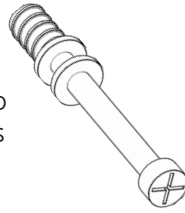
REQUIRED TOOLS



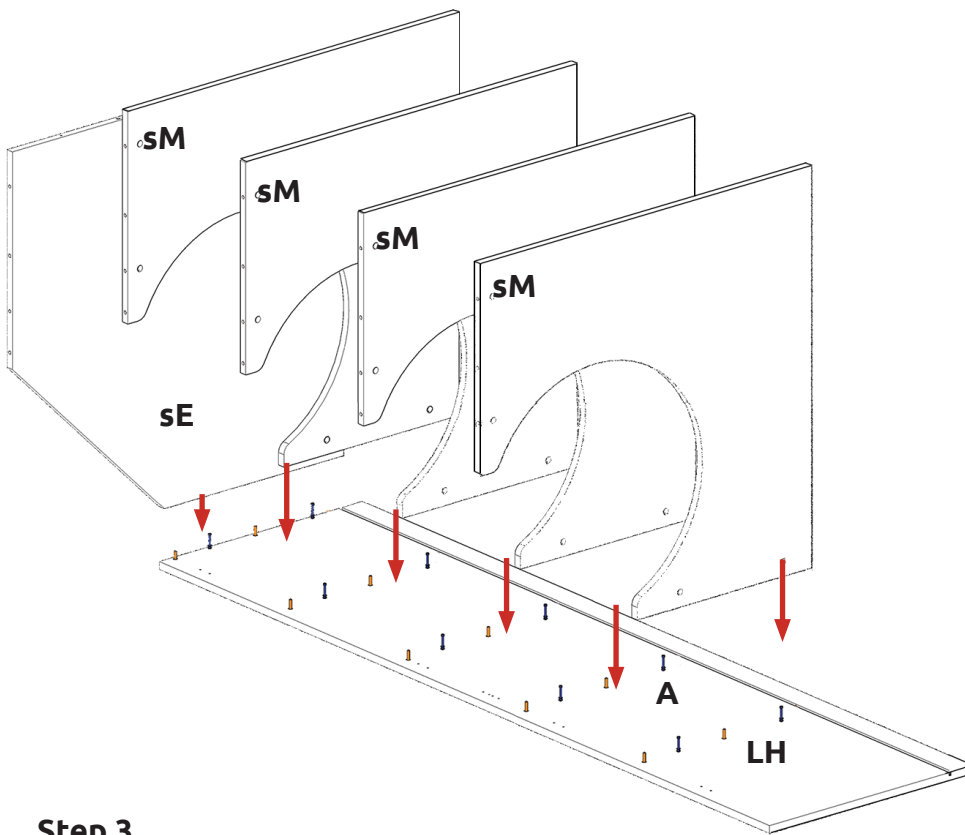
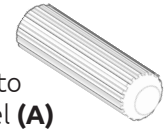
NOT to be used with CAM DOWEL & CAM LOCK



Step 1.
Seat cam dowel (W) into holes in end panel (A) as shown.

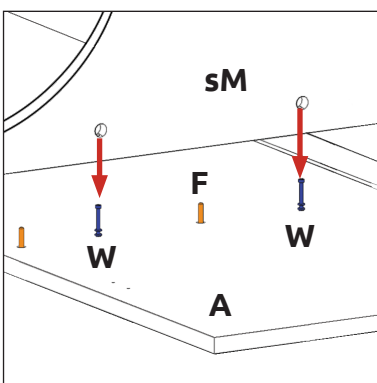
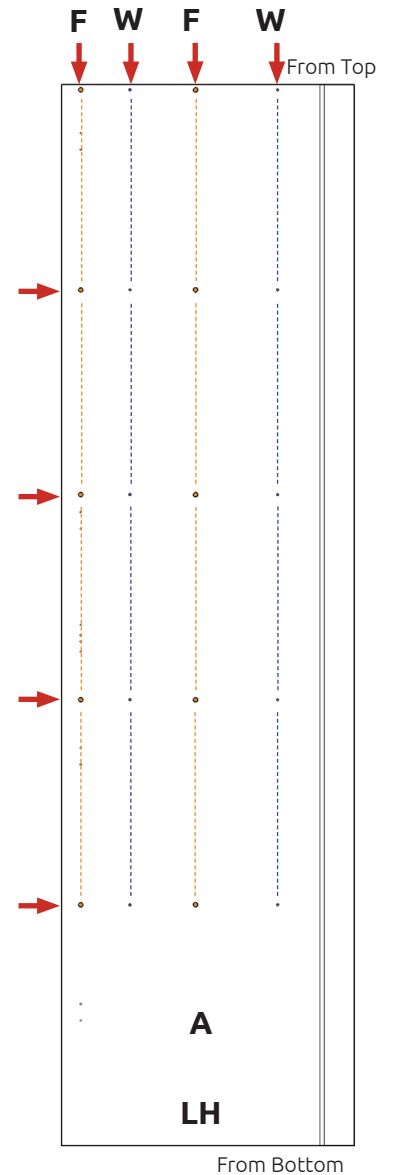


Step 2.
Seat dowel (F) into holes in end panel (A) as shown.

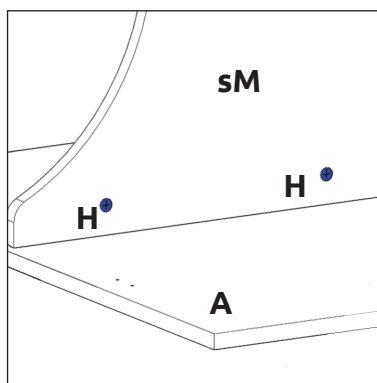


Step 3.
Attach panels (sM) and (sE) to end panel (A), using cam dowel (W) (in blue) and also using dowels (F) (in orange) in positions as shown.

Do not use power tools with Cam dowel (W) or cam lock (H)

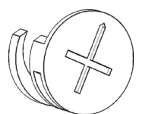


View from underside



View from underside

DOWEL (F) & CAM DOWEL (W) LOCATION DETAIL



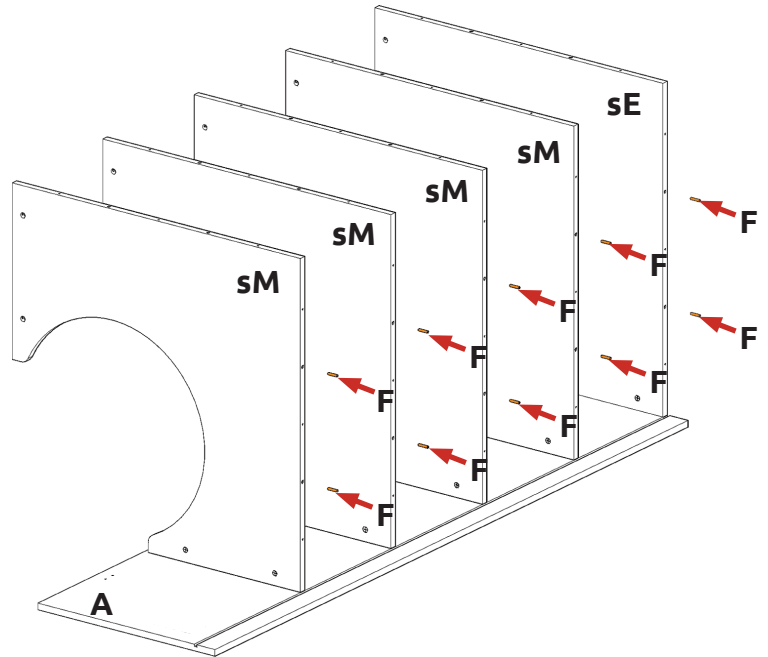
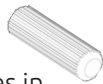
Step 4.
Join panels (sE) and (sM) to end panel (A). Insert cam locks (H). Do NOT tighten until Step 7.

TOWER UNIT

2070 & 2250 Walk In Tower Assembly Guide

Step 5.

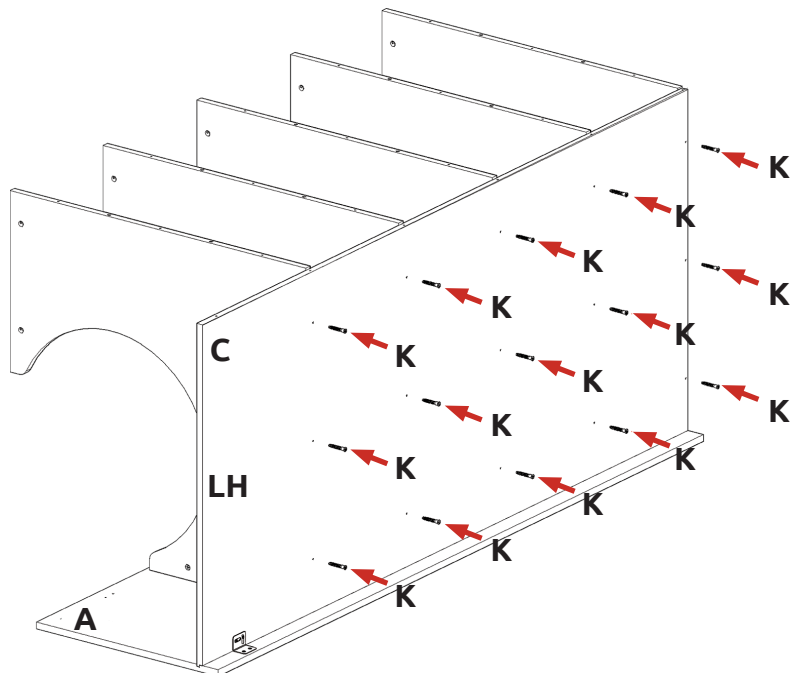
Seat 10x dowels (**F**) into holes in both panels (**sM**) and (**sE**) as shown.



Step 6.

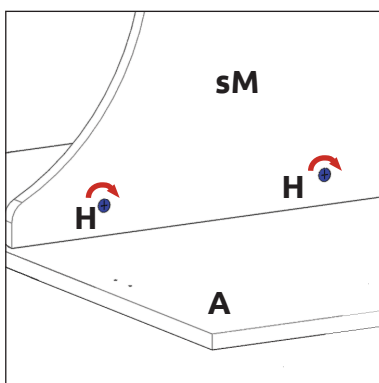
Slide back panel (**C**) into groove of end panel (**A**). Also insert dowels (**F**) (in orange) from panels (**sM**) and (**sE**) into the required holes in back panel (**C**).

Once back panel (**C**) is in position, ensure the panel is flush & square with bottom of end panel (**A**).



Step 7.

Hand tighten all cam locks (**H**), this will expand cam dowels (**w**).



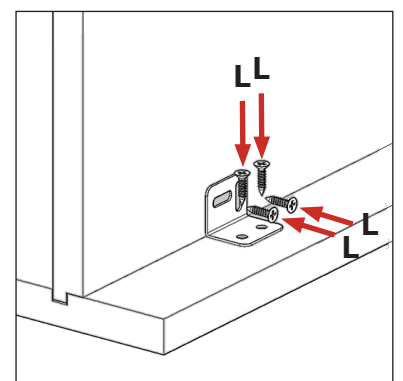
View from underside

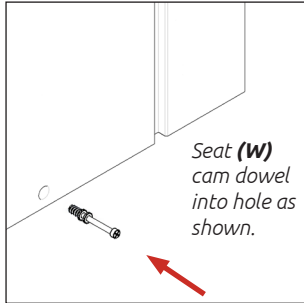
Step 8.

Using 15 x 45mm screws (**K**) secure back panel (**C**) to panels (**sM**) and (**sE**).

Step 9.

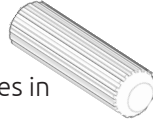
Secure back panel (**C**) to end panel (**A**) at the bottom. Use 4 x 15mm screws (**L**) to 1 x L bracket LGE as shown.





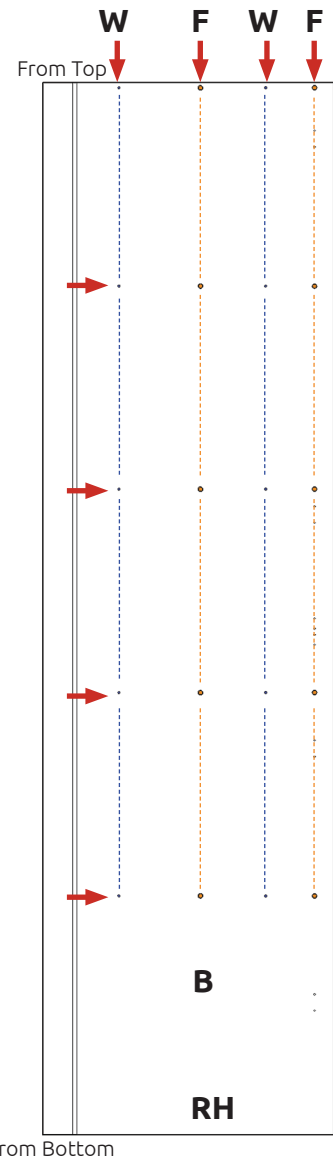
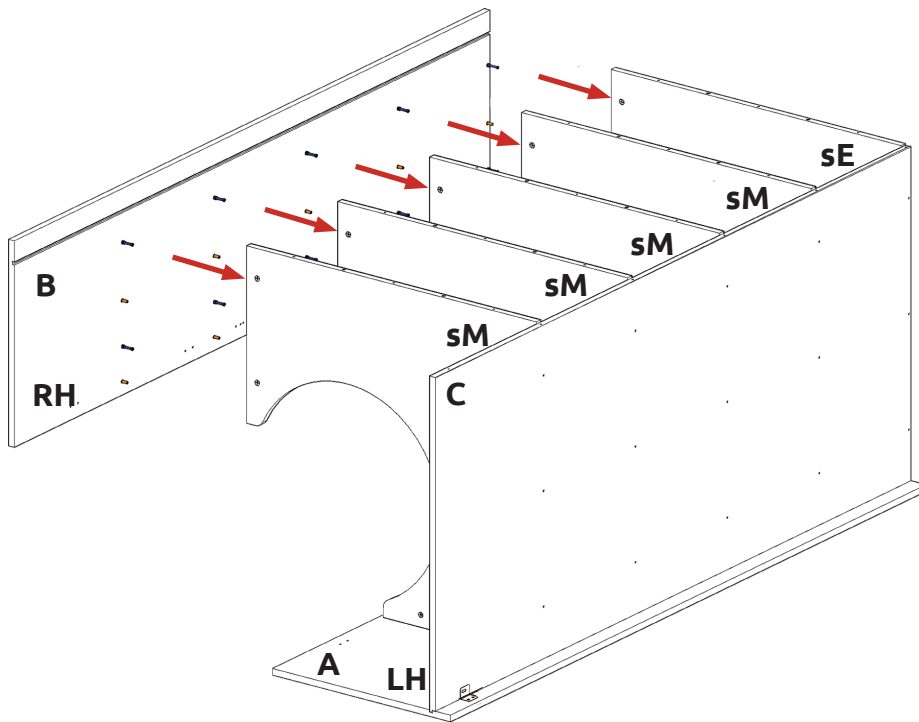
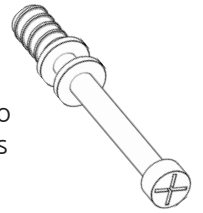
Step 10.

Seat dowel (F) into holes in end panel (B) as shown.



Step 11

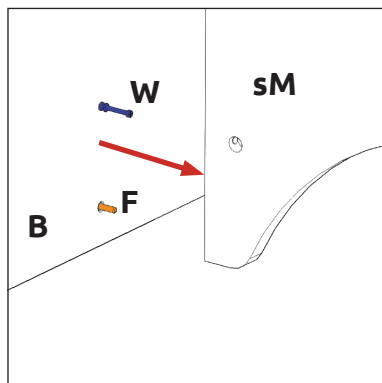
Seat cam dowel (W) into holes in end panel (B) as shown.



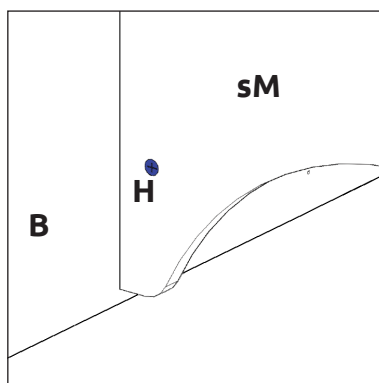
Step 12.

Attach end panel (B) to panels (sM) and (sE) using cam dowel (W) (in blue) and also using dowels (F) (in orange) in positions as shown.

Do **not** use power tools with cam dowel (W) or cam lock (H)

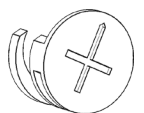


View from underside



View from underside

DOWEL (F) & CAM DOWEL (W) LOCATION DETAIL



Step 13.

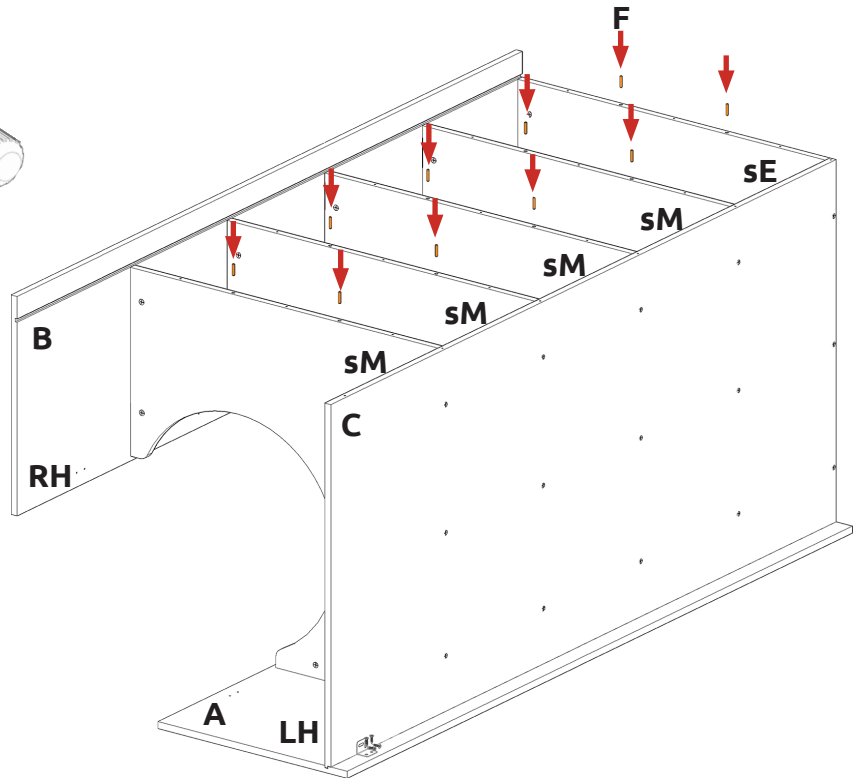
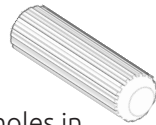
Join panels (sE) and (sM) to end panel (A). Insert cam locks (H). Do NOT tighten until Step 18.

TOWER UNIT

2070 & 2250 Walk In Tower Assembly Guide

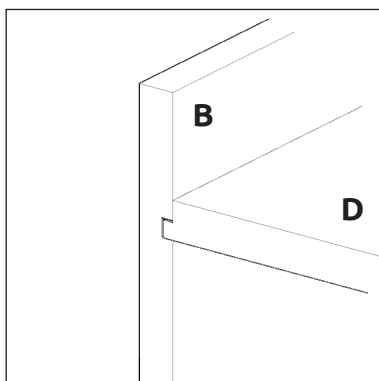
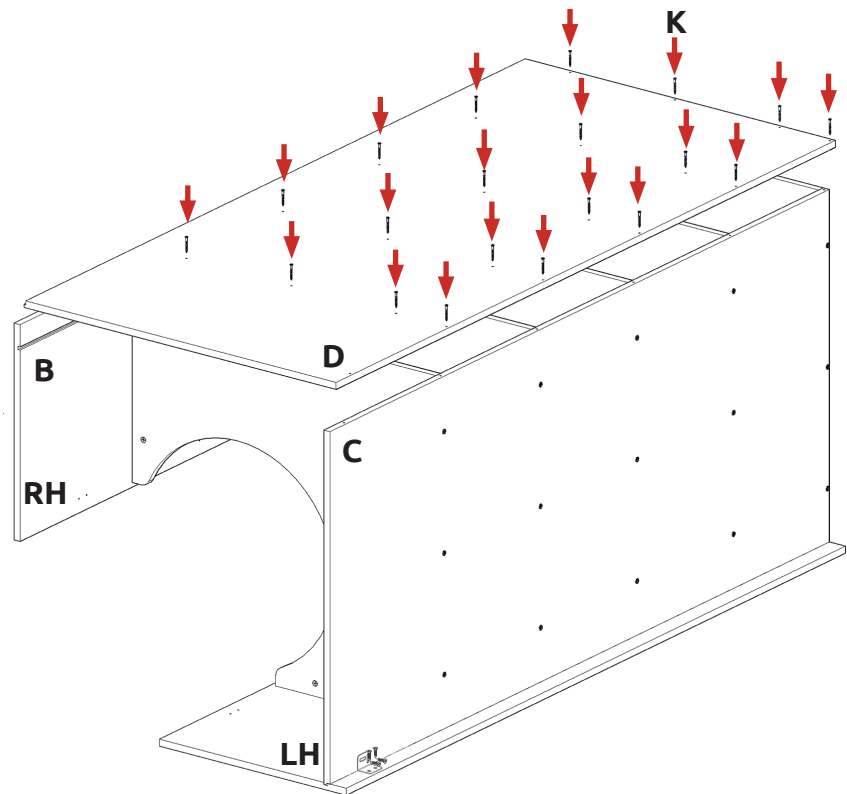
Step 14.

Seat 10x dowels (**F**) into holes in both panels (**sM**) and (**sE**) as shown.



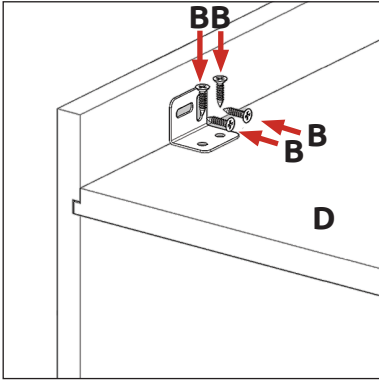
Step 15.

Secure back panel (**D**) to panels (**sE**) and (**sM**) and back panel (**C**). Use 20 x 45mm screws (**K**) as shown.



Step 16.

Ensure to insert the lower part of back panel (**D**) into end panel (**B**) groove.

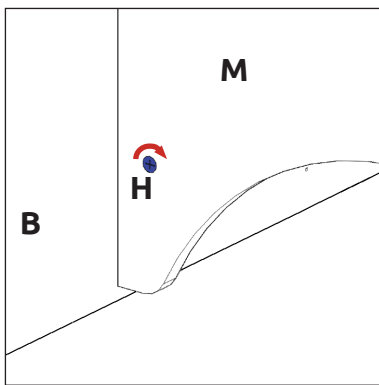


Step 17.

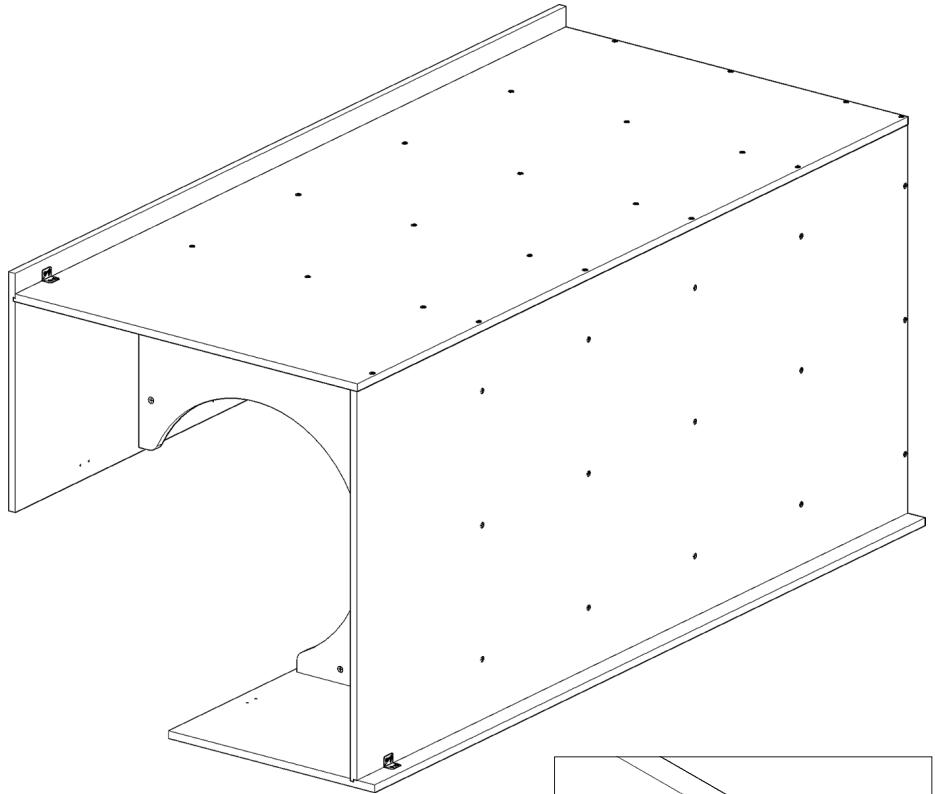
Secure back panel (D) to end panel (B) at the bottom. Use 4 x 15mm screws (L) to 1 x L bracket LGE as shown.

Step 18.

Hand tighten all cam locks (H), this will expand cam dowels (W) and tighten the unit together.

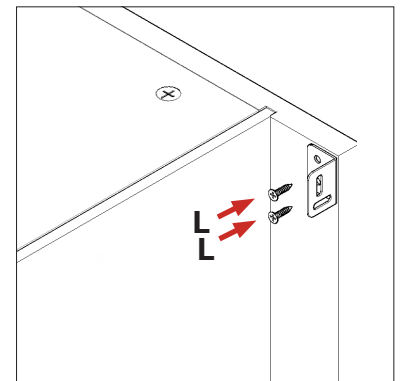


View from underside

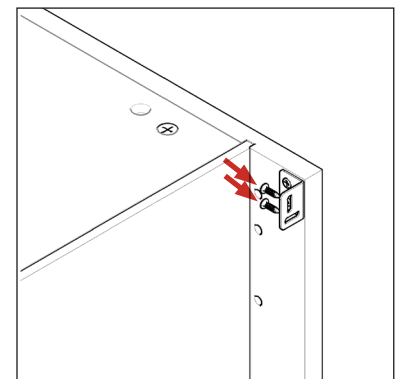


Step 19.

Secure tower to the wall using L brackets LGE. Use 2 x 15mm screws (L) to secure each of the L brackets LGE to the units at either side. Then screw through into the wall as shown.



Screws for fixing to walls are not provided as these vary depending on your wall material and construction. Ensure appropriate fixings for wall constructions are used.

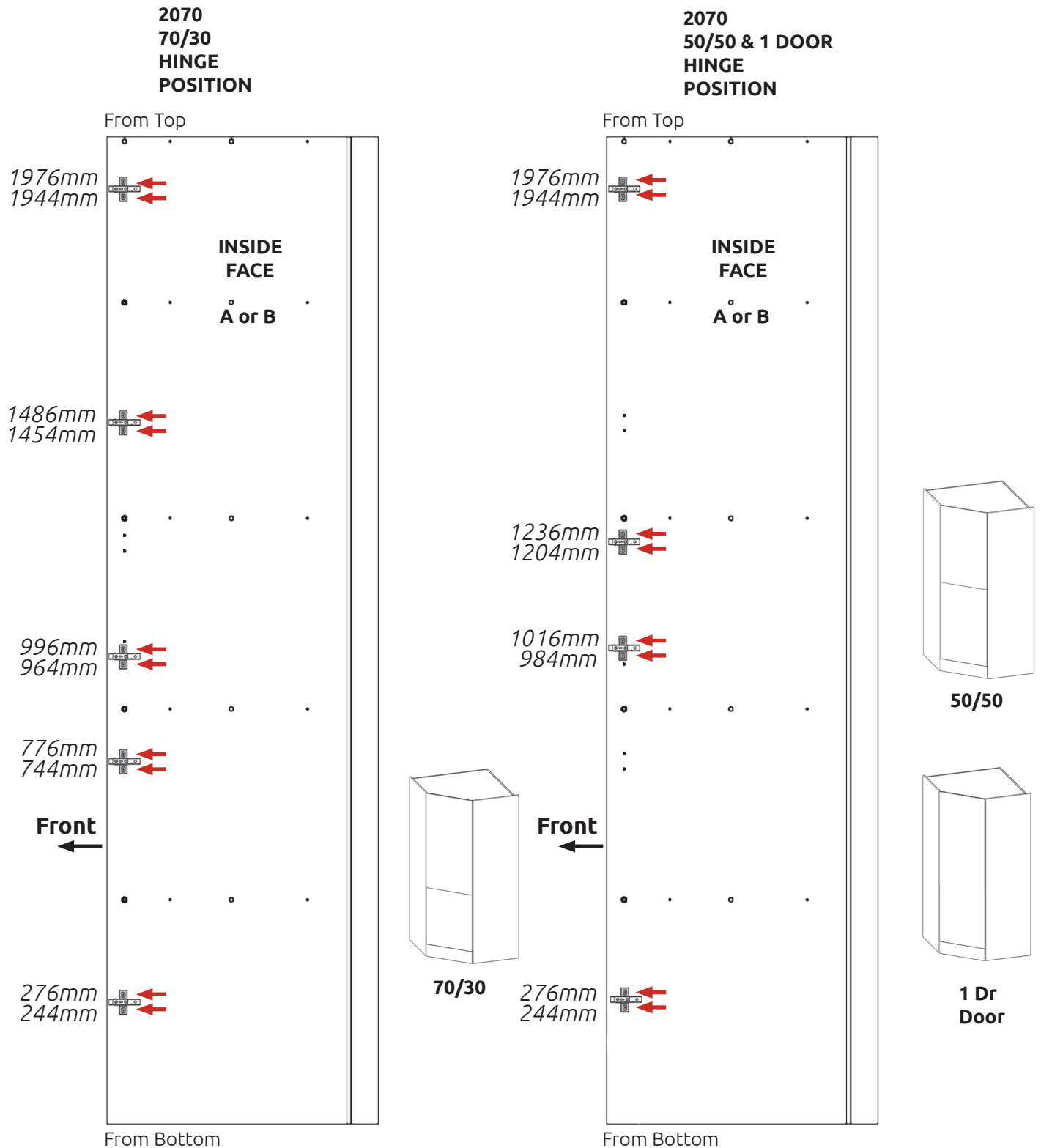


TOWER UNIT

2070 & 2250 Walk In Tower Assembly Guide

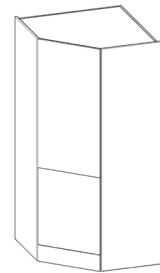
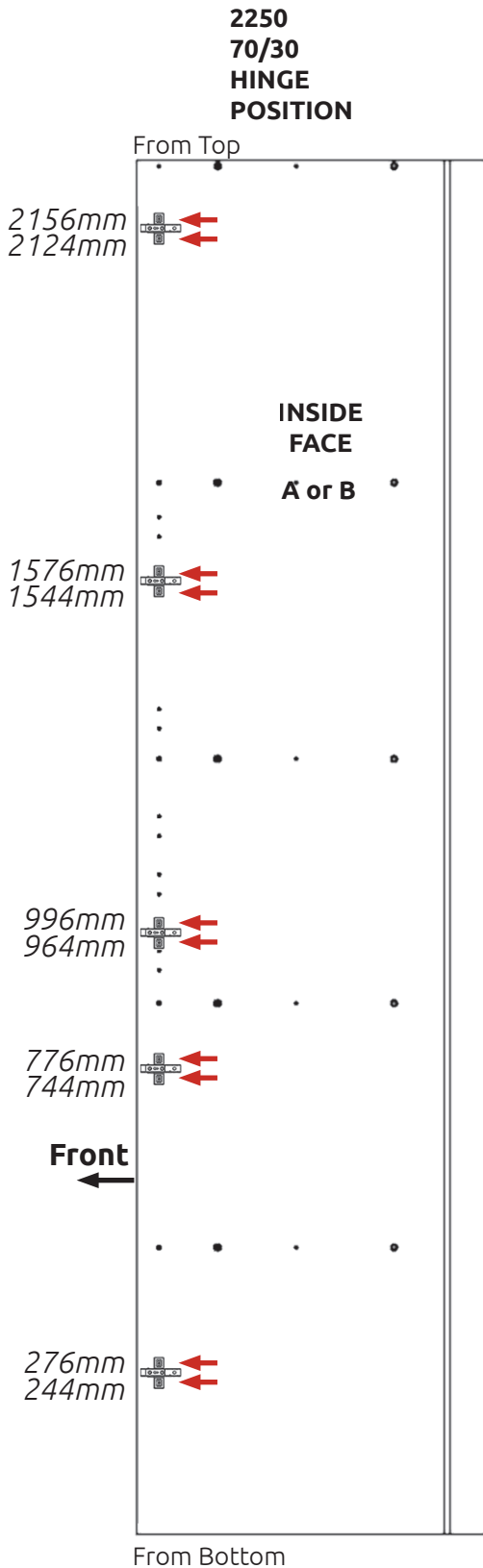
Step 20.

Attach hinge plates onto end panel (A) or (B) to suit as shown using 2 screws already positioned within the hinge plate.
Hinge side or sides to be mounted in accordance to Customer Specific Kitchen Plan.

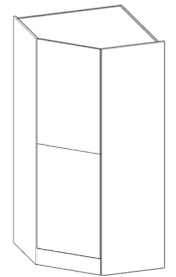
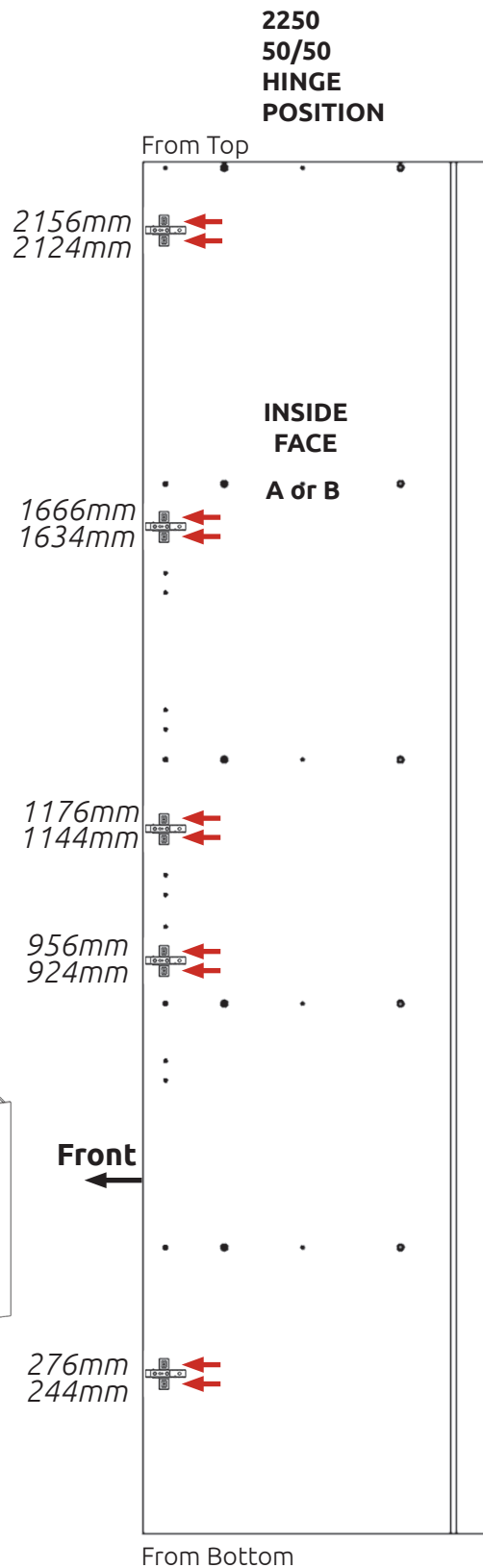


Step 20.

Attach hinge plates onto end panel (A) or (B) to suit as shown using 2 screws already positioned within the hinge plate.
Hinge side or sides to be mounted in accordance to Customer Specific Kitchen Plan.



70/30



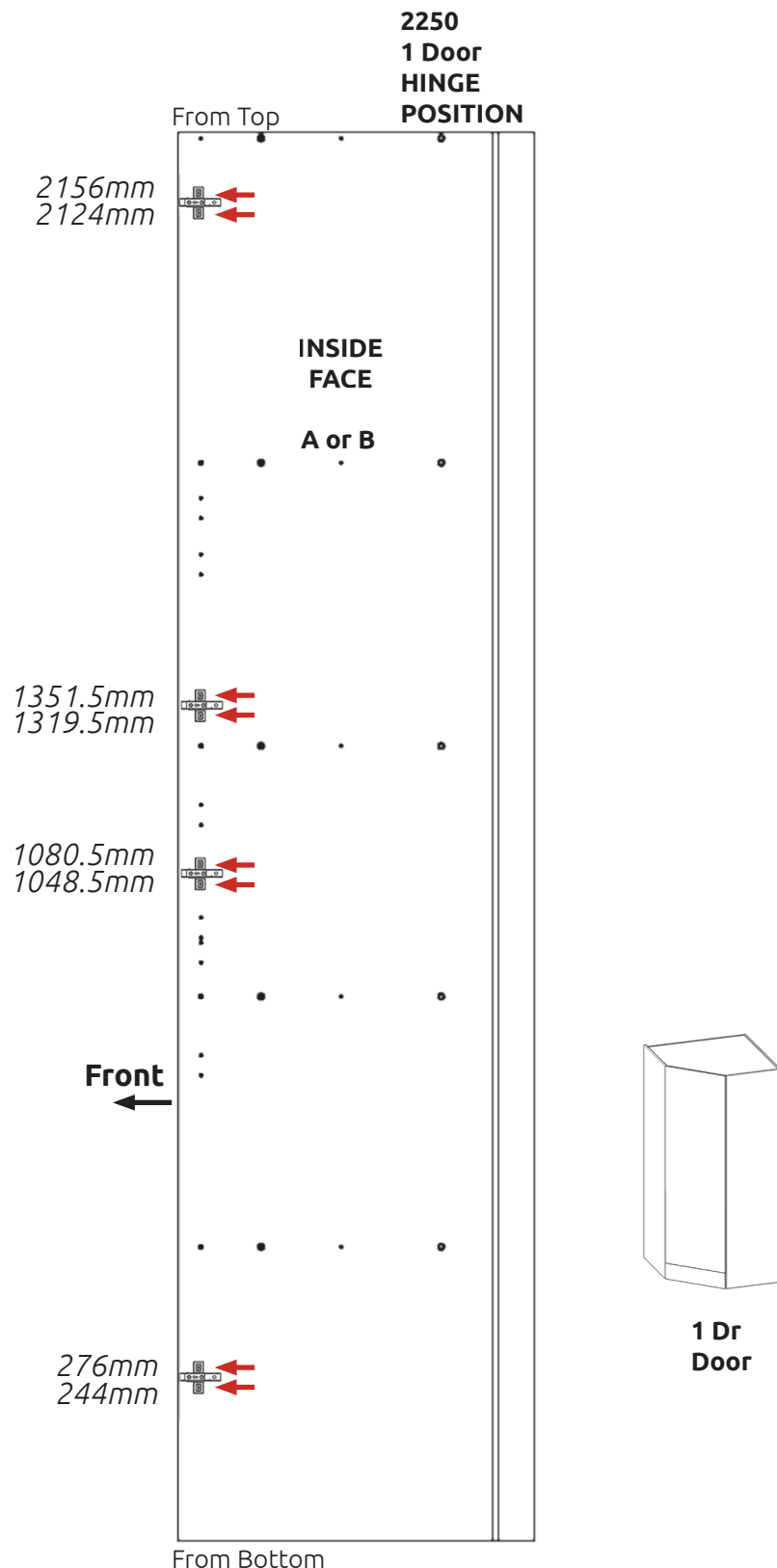
50/50

TOWER UNIT

2070 & 2250 Walk In Tower Assembly Guide

Step 20.

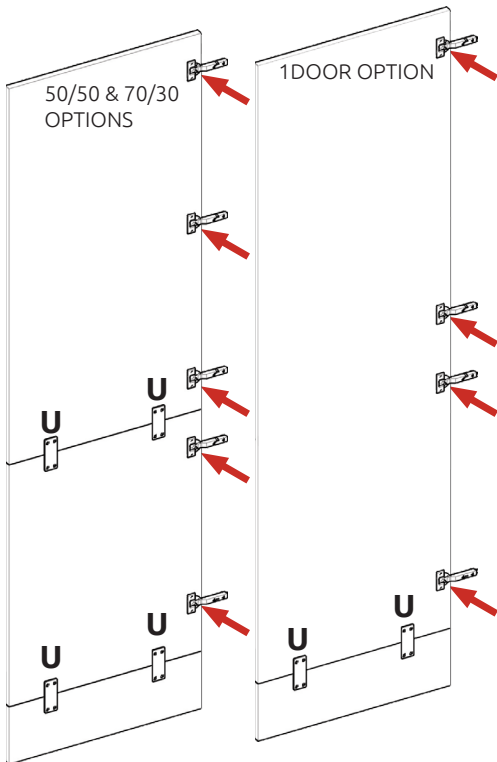
Attach hinge plates onto end panel (A) or (B) to suit as shown using 2 screws already positioned within the hinge plate. **Hinge side or sides to be mounted in accordance to Customer Specific Kitchen Plan.**



Door Frontal Fixing (Where Applicable)

Grass Hinge

Doors supplied in accordance to customer specific kitchen plan



Step 1.

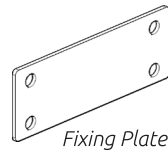
Insert hinges into hinge holes provided, in accordance with customer specific kitchen plan.

Step 2.

Secure hinges with the 2 x screws already located in the hinges.

Step 3. (Where applicable)

Align doors to join together using 2 x fixing plates to the back of both frontals. Ensure a 4mm gap is maintained between each frontal. Screw in place using 4 x 15mm screws per fixing plate.



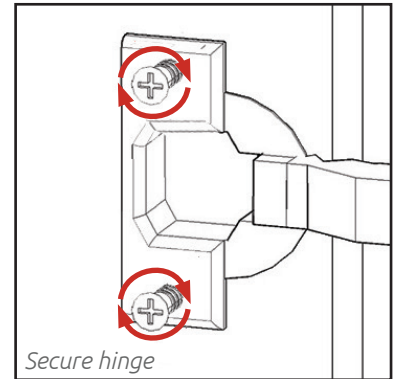
Fixing Plate

Step 4.

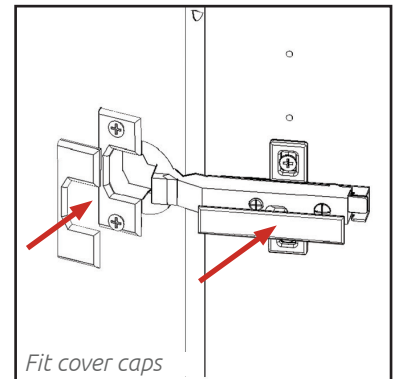
Attach the door to unit, clip hinge onto hinge plate and click to secure.



Hinge dowels



Secure hinge

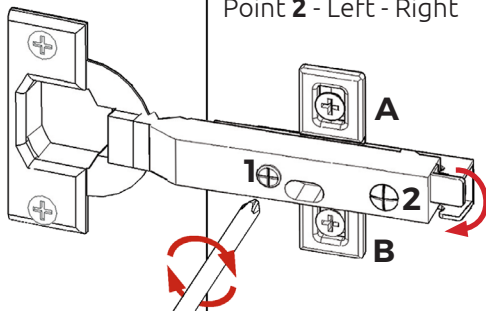


Fit cover caps

FRONTAL HINGE ADJUSTMENT

To **adjust** hinge using a screw driver, tighten or loosen as required at points **1 & 2**.

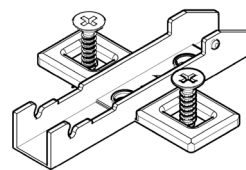
Point **1** - In - Out
Point **2** - Left - Right



To **Move** the hinge up/down, loosen screws **A + B**, manoeuvre the door, then re-tighten the screws

To **Release** door pull catch as shown, to release hinge from the hinge plate.

View from Inside of Unit



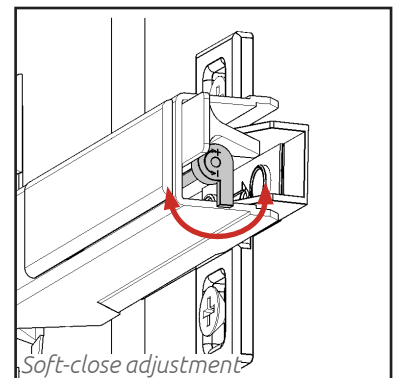
Hinge Plate

Step 5.

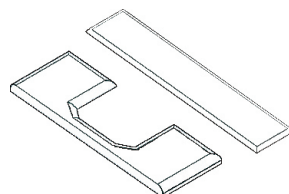
Adjust hinge to suit. As shown on the left.

Step 6.

Fit cover caps to hinge. Adjust soft-close to suit.



Soft-close adjustment



Hinge cover caps

The top and bottom hinges **MUST** be adjusted to the **SAME STRENGTH.**

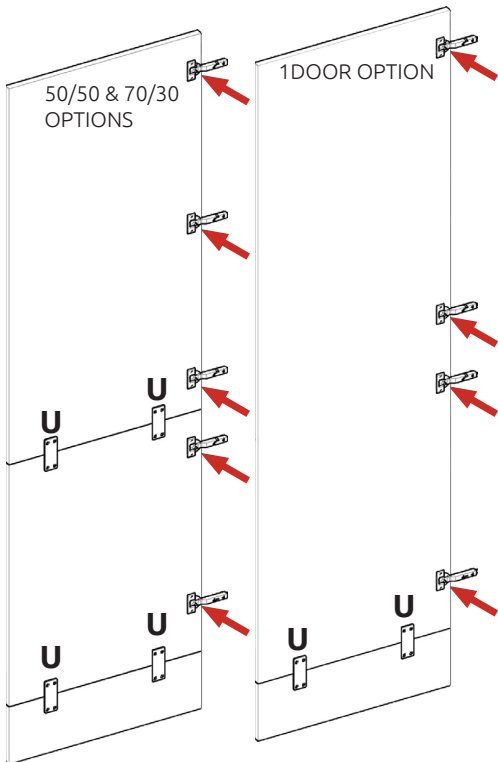
TOWER UNIT

2070 & 2250 Walk In Tower Assembly Guide

Door Frontal Fixing (Where Applicable)

Titus Hinge

Doors supplied in accordance to customer specific kitchen plan



Step 1.

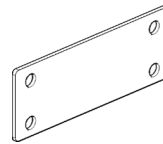
Insert hinges into hinge holes provided, in accordance with customer specific kitchen plan.

Step 2.

Secure hinges with the 2 x screws already located in the hinges.

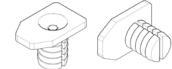
Step 3. (Where applicable)

Align doors to join together using 2 x fixing plates to the back of both frontals. Ensure a 4mm gap is maintained between each frontal. Screw in place using 4 x 15mm screws per fixing plate.

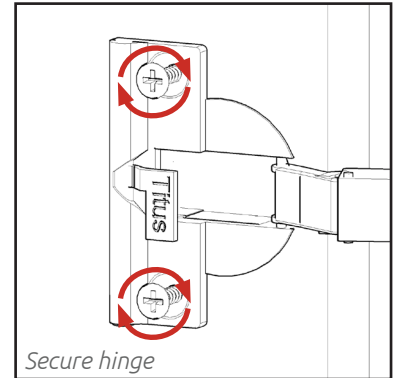


Step 5.

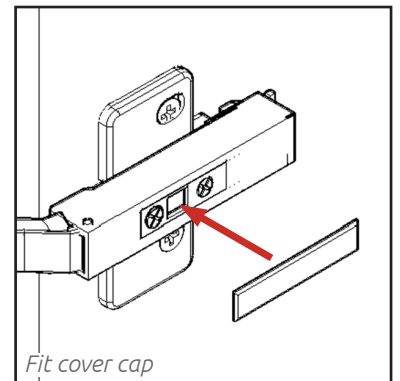
Attach the door to unit, clip hinge onto hinge plate and click to secure.



Hinge dowels



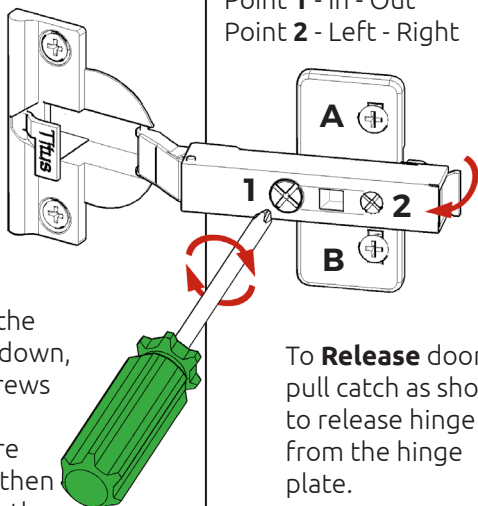
Secure hinge



Fit cover cap

FRONTAL HINGE ADJUSTMENT

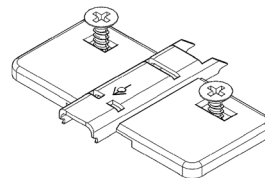
To **adjust** hinge using a screw driver, tighten or loosen as required at points **1 & 2**.
Point **1** - In - Out
Point **2** - Left - Right



To **Move** the hinge up/down, loosen screws **A + B**, manoeuvre the door, then re-tighten the screws

To **Release** door pull catch as shown, to release hinge from the hinge plate.

View from Inside of Unit



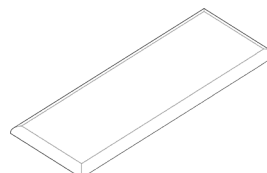
Hinge plate

Step 6.

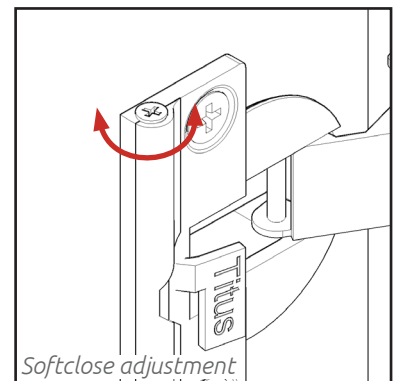
Adjust hinge to suit. As shown on the left.

Step 7.

Fit cover cap to hinge. Adjust softclose to suit.



Hinge cover cap



Softclose adjustment

The top and bottom hinges **MUST** be adjusted to the **SAME STRENGTH.**