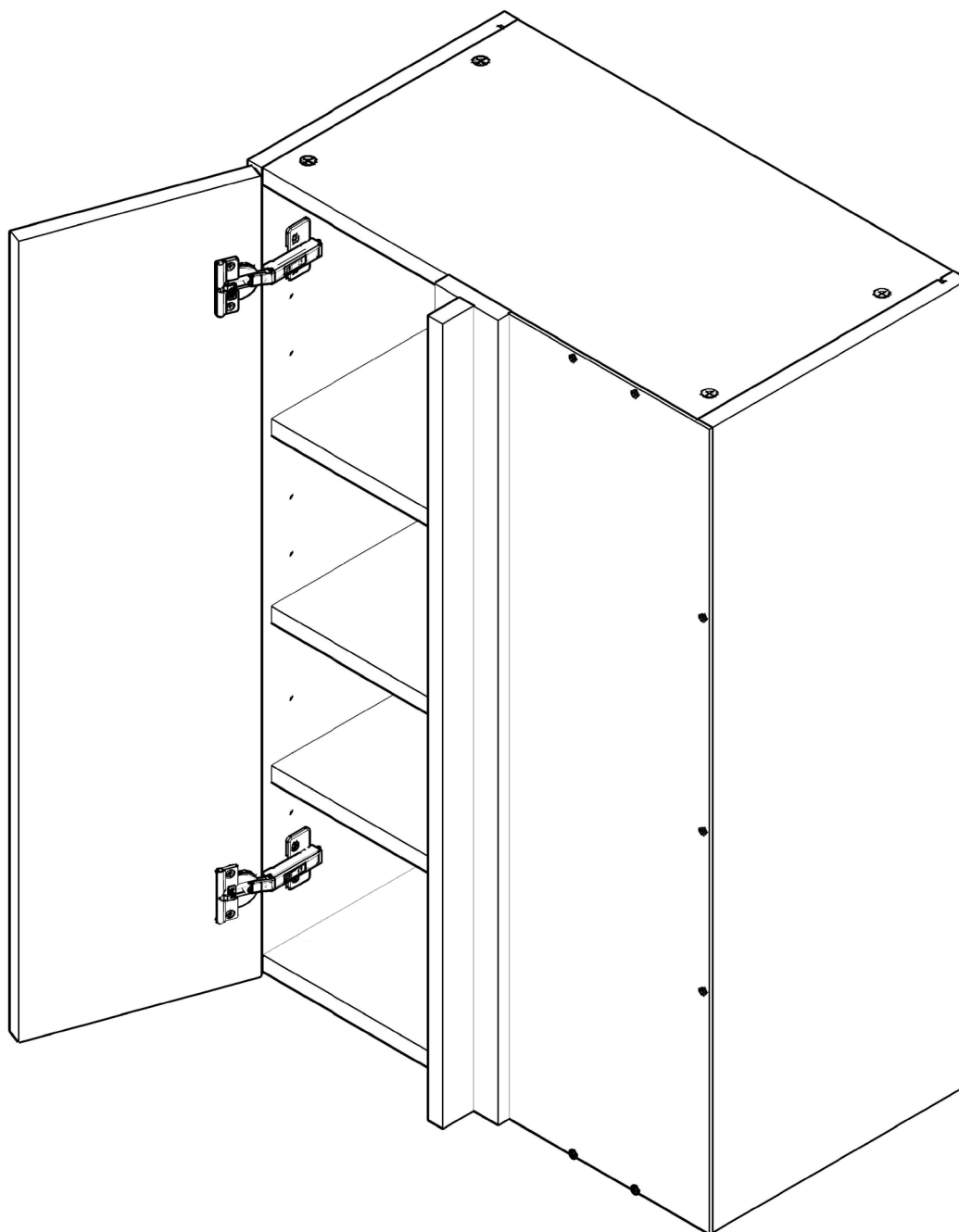


Vogue

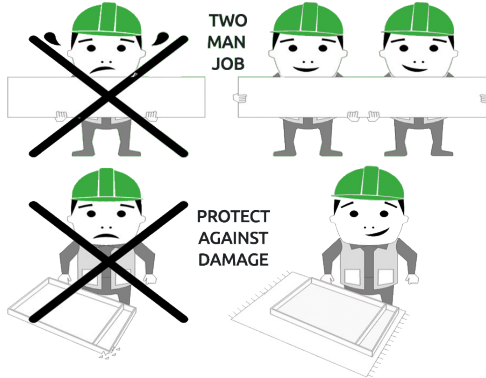
# WALL UNIT

## 600 Tall Adjustable Corner Assembly Guide



# WALL UNIT

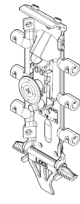
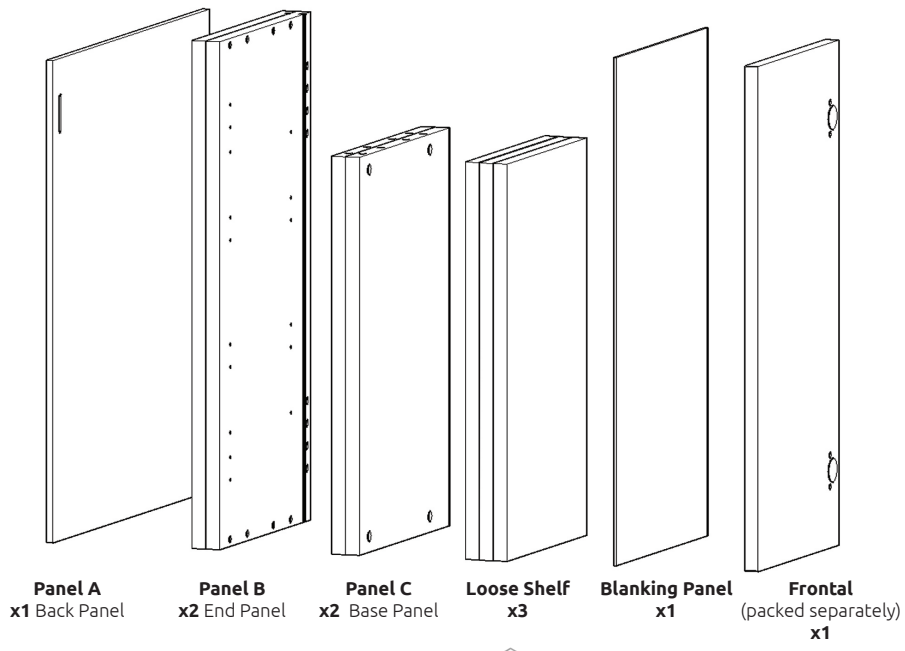
## 600 Tall Adjustable Corner Assembly Guide



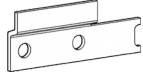
**BEFORE YOU START**

**INSTALLATION SHOULD BE PERFORMED BY A COMPETENT PERSON ONLY.**

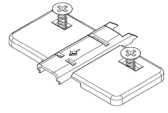
**THIS PRODUCT COULD BE DANGEROUS IF INCORRECTLY INSTALLED**



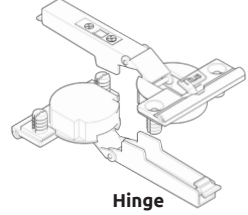
**Hanging Bracket**  
x2 Inc Screws



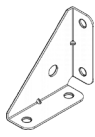
**Hanging Bracket Plate**  
x2 (Screws NOT included)



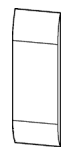
**Hinge Mounting Plate**  
x4 Inc Screws



**Hinge**  
x4 Inc Screws



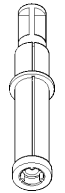
**Corner Gusset**  
x2



**Hanging Bracket Cover Cap**  
x2



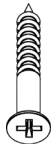
**(F) x8**  
Wooden Dowel



**(G) x8**  
Cam Dowel (Expanding)



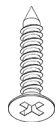
**(H) x8**  
Cam Lock



**(K) x4**  
30mm Screw



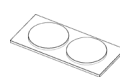
**(L) x21**  
15mm Screw



**(S) x4**  
20mm Screw



**(M) x2**  
Cover Cap



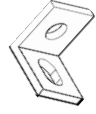
**(N) x1**  
Door Buffer



**(Z) x12**  
Shelf Peg Plastic

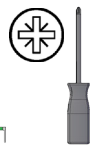
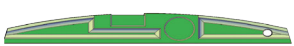


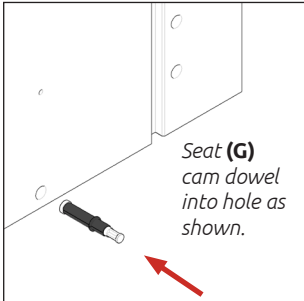
**(T) x10**  
Back Panel Support Clip



**(FF) x2**  
L Bracket

**REQUIRED TOOLS**





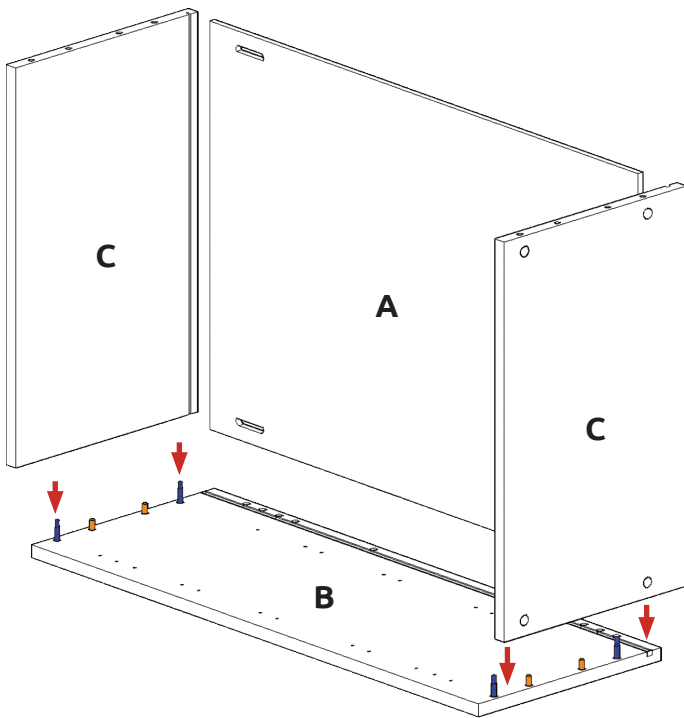
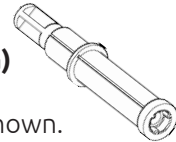
### Step 1.

Seat dowel (F) into holes in end panel (B) as shown.



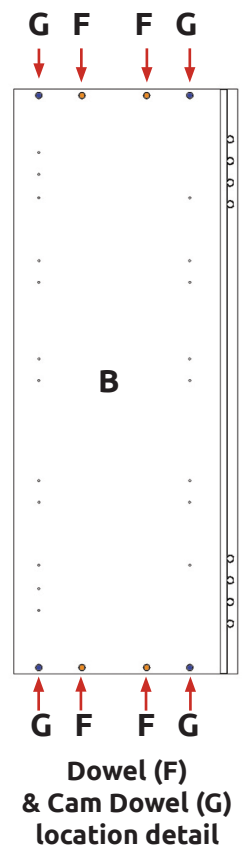
### Step 2.

Seat cam dowel (G) into holes in end panel (B) as shown.



### Step 3.

Attach panels x2 (C) to panel (B), using cam dowels (G) (in blue) and also using dowels (F) (in orange) in positions as shown.

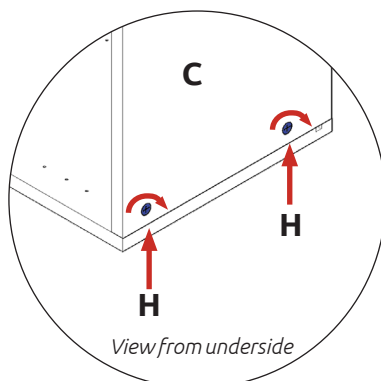
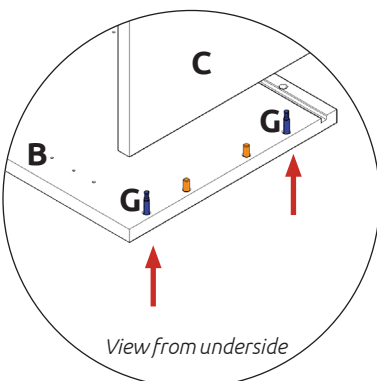


### Step 4.

Slide panel (A) into the groove of panels (B) and x 2 (C).



All cam locks (H) are to be positioned facing the outside of the unit carcase, for ease of tightening.



Do **not** use power tools with cam dowel (G) or cam lock (H)



### Step 5.

Insert cam lock (H). Hand tighten all cam locks (H), this will expand the cam dowels (G) and tighten the unit together.

# WALL UNIT

## 600 Tall Adjustable Corner Assembly Guide

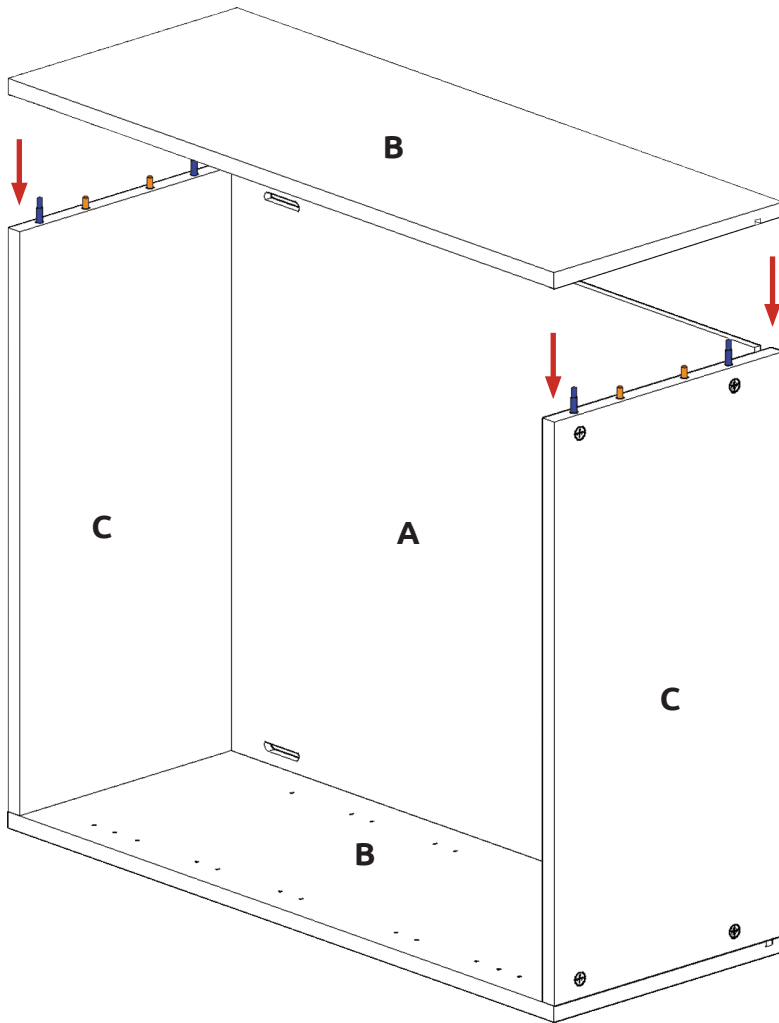
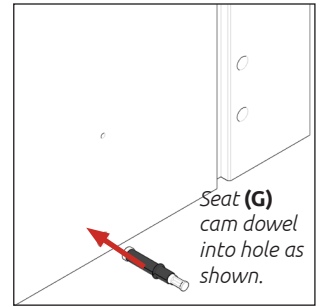
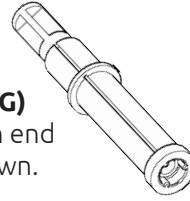
### Step 6.

Seat dowel (F) into holes in both end panels (B) as shown.



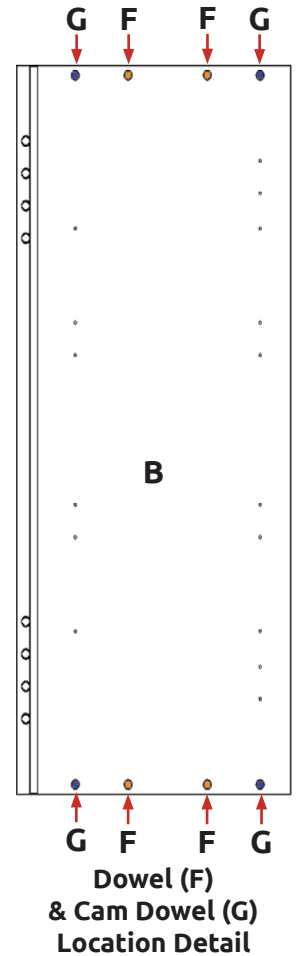
### Step 7.

Seat cam dowel (G) into holes in both end panels (B) as shown.



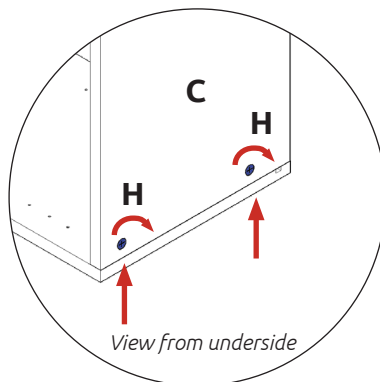
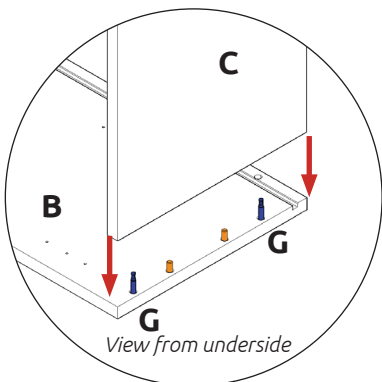
### Step 8.

Attach panel (B) to panels (C) using cam dowel (G) (in blue) and also using dowels (F) (in orange) in positions as shown. Ensure panel (A) is seated into the groove of panel (B).



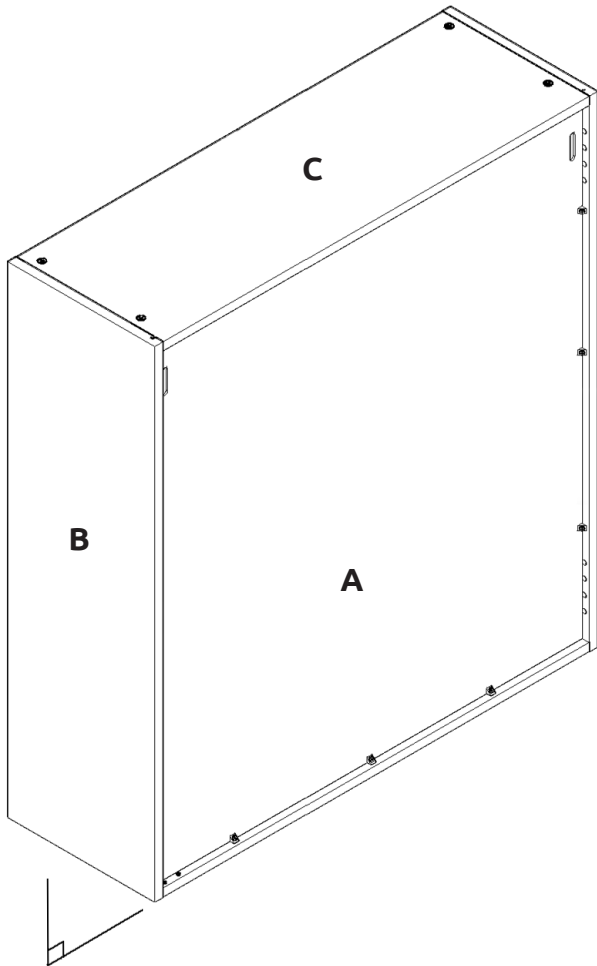
All cam lock (H) are to be positioned facing the outside of the unit carcass, for ease of tightening.

Do **not** use power tools with cam dowel (G) or cam lock (H)

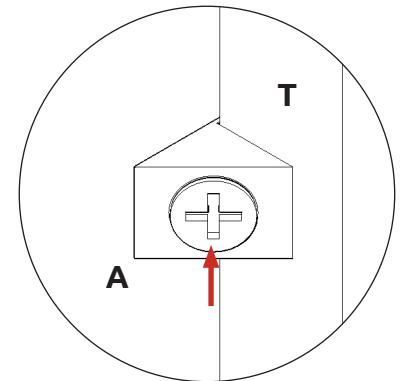
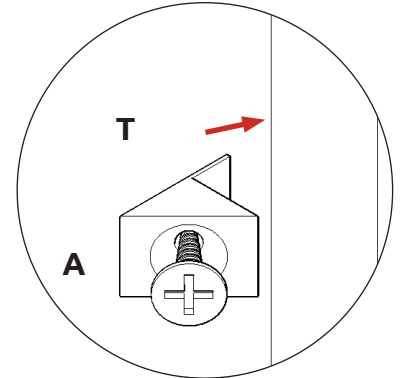


### Step 9.

Insert cam lock (H). Hand tighten all cam locks (H), this will expand cam dowels (G) and tighten the unit together.



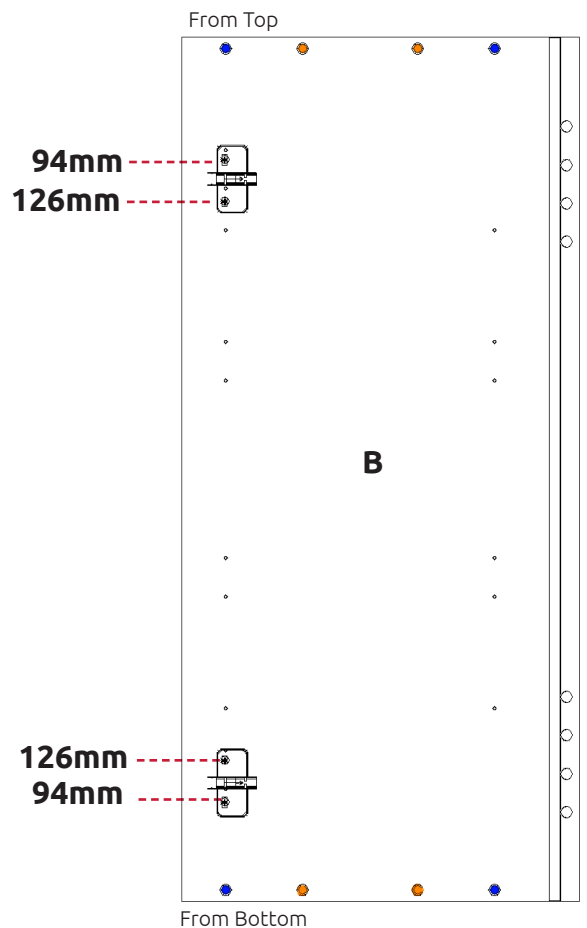
**Step 10.**  
Ensure unit is square.



**Step 11.**  
Slide the back panel clips (**T**) into the groove of both panels (**B**). The back panel clips (**T**) should be evenly spaced as shown and positioned to allow the hanging bracket and corner gussets to be fitted. Once in place, tighten screw.

**Step 12.**  
Attach hinge mounting plates onto end panels (**B**) as shown using screws which are already located within the hinge plates.

**Hinge side or sides to be mounted in accordance to Customer Specific Kitchen Plan.**



# WALL UNIT

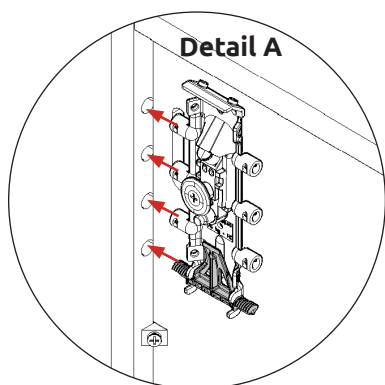
## 600 Tall Adjustable Corner Assembly Guide



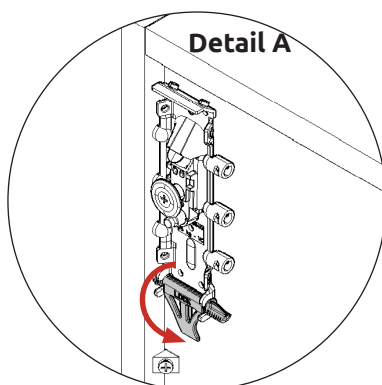
Screws for attaching to walls are not provided as these vary depending on materials, thickness and construction. Ensure appropriate fixings for wall construction are used.



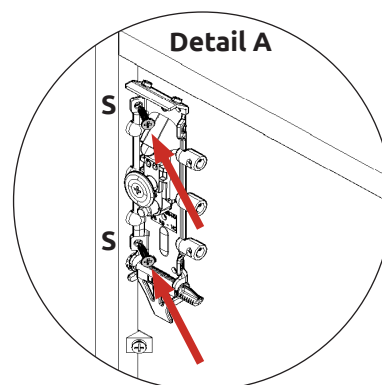
Care to be taken. Hanging procedure is necessary for a safe installation.



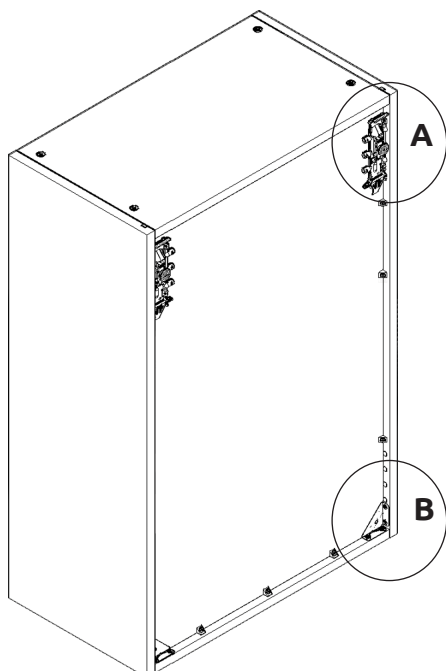
**Step a**  
Insert hanging  
bracket into pre-drilled holes



**Step b**  
Rotate locking  
lever 180 degrees



**Step c**  
Secure with provided  
2 x 20mm screws (**S**) per bracket

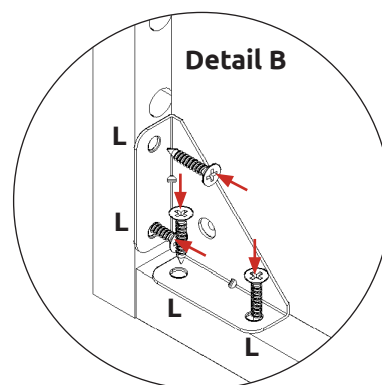


### Step 13.

Hanging Brackets steps a, b & c to be carried out on both sides as shown

### Step 14.

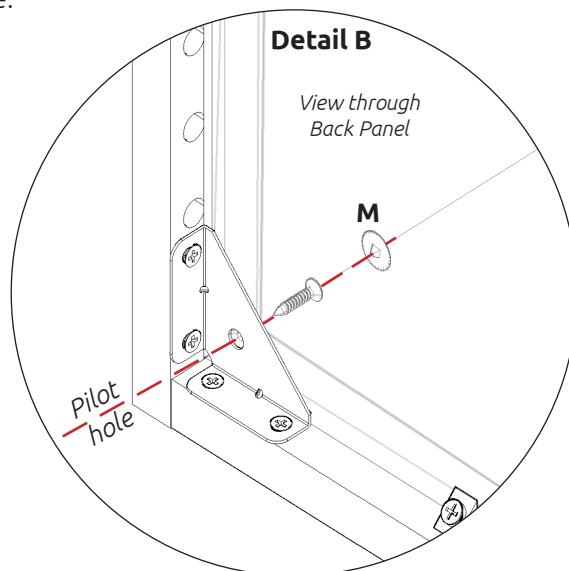
Secure corner gussets to the bottom left and right hand side of the wall unit using 4 x 15mm screws (**L**) per plate.



### Step 15.

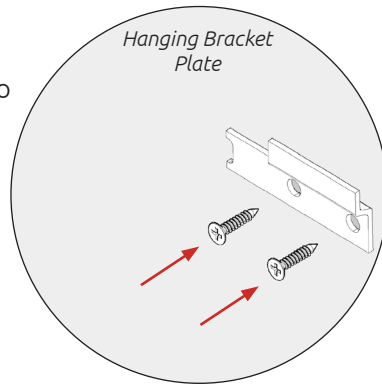
Drill a small pilot hole through the centre of the corner gussets, through the back of the unit. Use this hole at the end of the process to screw through and into the wall. Cover the screw heads using the cover caps (**M**) provided.

**Screws for fixing to walls are not provided as these vary depending on your wall material and construction. Ensure appropriate fixings for wall constructions are used.**



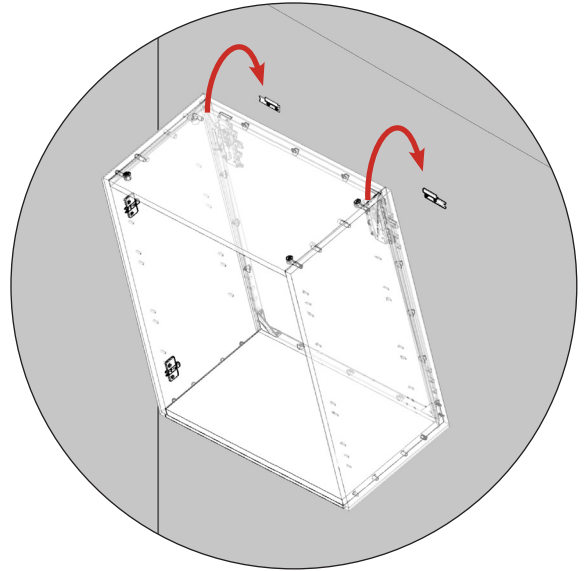
### Step 16.

Measure appropriately and attach the 2 x hanging bracket plates onto the wall screwing through the provided holes into your wall.



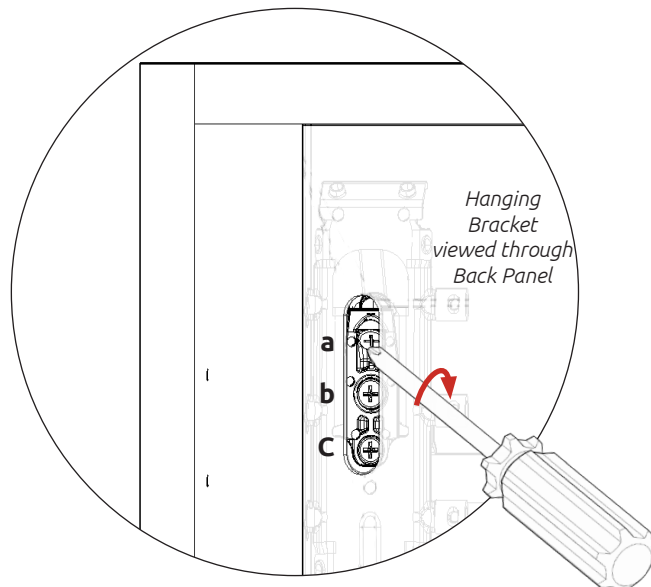
### Step 17.

Hang the unit using the brackets to hook onto the plate as shown



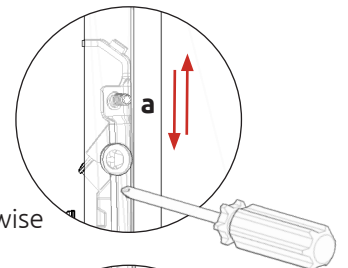
### Step 18.

Using points a, b & c adjust the unit to suit.



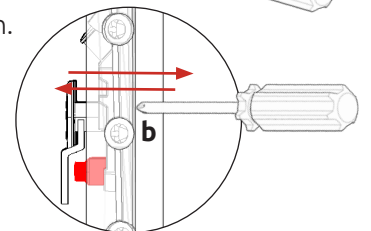
#### Step a.

Rotate the screw clockwise to move the unit up. Anti-clockwise for down.



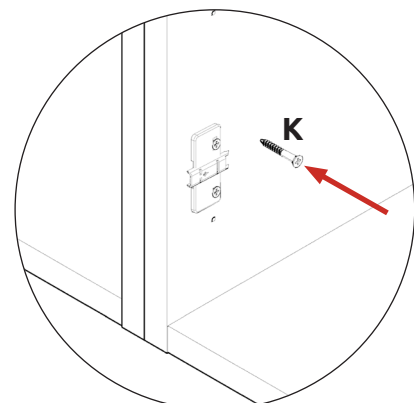
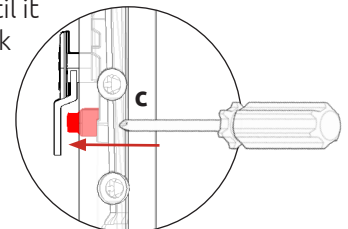
#### Step b.

Adjust the depth using centre screw.



#### Step c.

Screw the red screw until it touches the plate to lock in position.



### Step 19.

Screw into any side units using the provided 2 x 30mm screws (K) to secure the unit. Screw just to the rear of the hinge plates then place cover caps (M) on the heads to conceal it.

# WALL UNIT

## 600 Tall Adjustable Corner Assembly Guide

### Adjustable Corner Post Pack

#### Step 20.

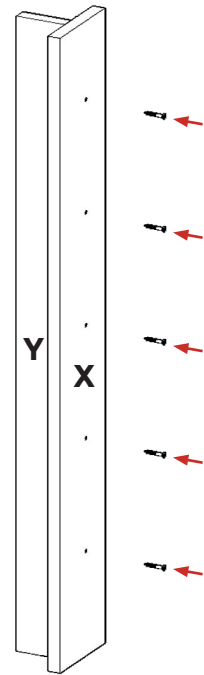
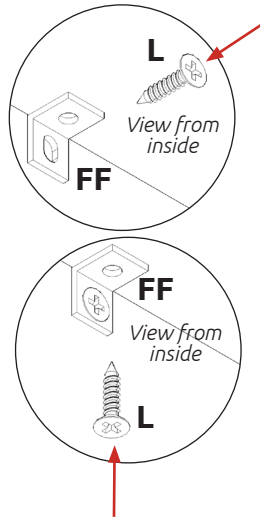
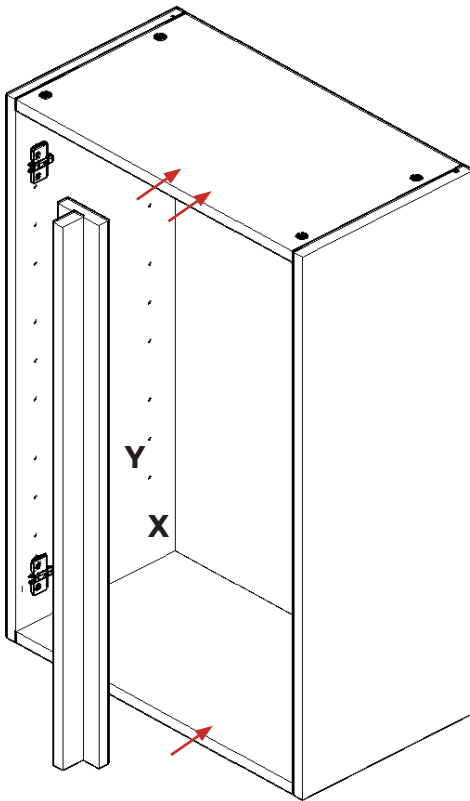
Attach panel (X) to panel (Y) using appropriate fixing.



Adapt panels (X) & (Y) where applicable to suit Customer Specific Kitchen Plan.

#### Step 21.

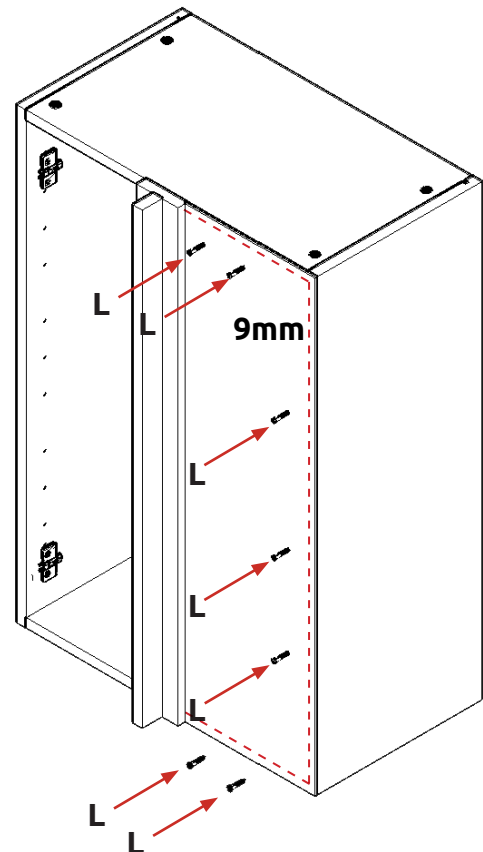
Attach panels (X) & (Y) to the unit using the 2 x L brackets (FF) and the 4 x 15mm screws (L) at the top and bottom as shown.



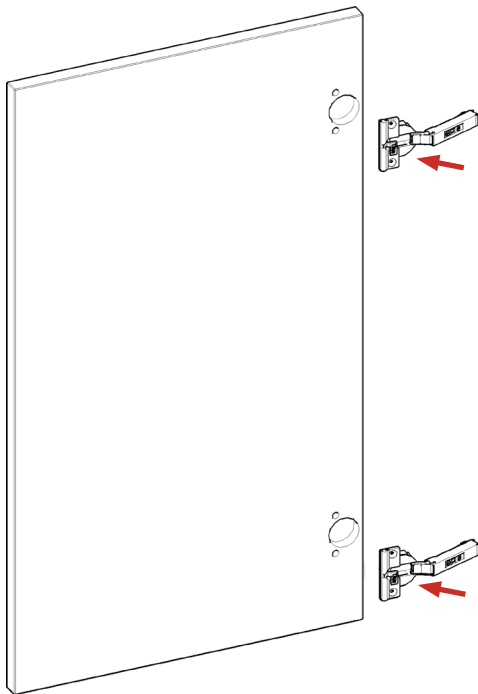
#### Step 22.

Measure and cut down blanking panel to required size. Attach to unit using 7 x 15mm screws (L), evenly spaced as shown.

Ensure you screw into the centre of the base panels as shown (9mm from the edge).







**Step 23.**

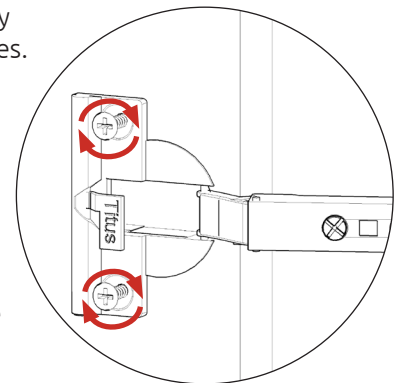
Insert hinge in top & bottom holes as shown below.

**Step 24.**

Secure hinges by tightening 2 x screws with hinge dowels attached. These are already positioned within the hinges.

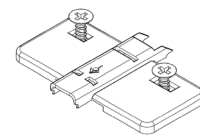
**Step 25.**

Attach the door to unit where required. To attach door, clip hinge onto hinge plate and click to secure.



**Step 26.**

Adjust hinge to suit. As shown below.



Hinge Plates

**FRONTAL HINGE ADJUSTMENT**

To **adjust** hinge using a screw driver, tighten or loosen as required at points **1 & 2**.  
 Point **1** - In - Out  
 Point **2** - Left - Right

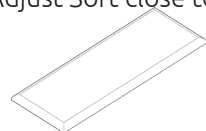
To **Move** the hinge up/down, loosen screws A + B, Manoeuvre the door, then re-tighten the screws

To **release** door, pull catch as shown, to release hinge from the hinge plate.

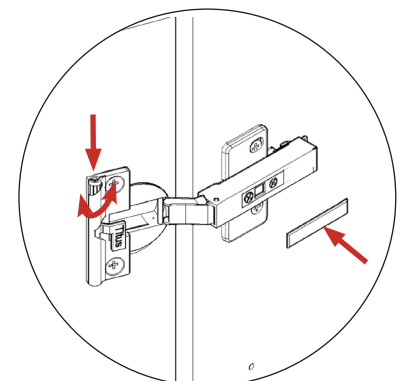
*View from inside of unit*

**Step 27.**

Fit cover caps to hinge. Adjust Soft close to suit.



Hinge Cover Caps



The top and bottom hinges **MUST** be adjusted to the **SAME STRENGTH**.

*Vogue*

# **WALL UNIT**

**600 Tall Adjustable Corner Assembly Guide**



**wren**  
KITCHENS