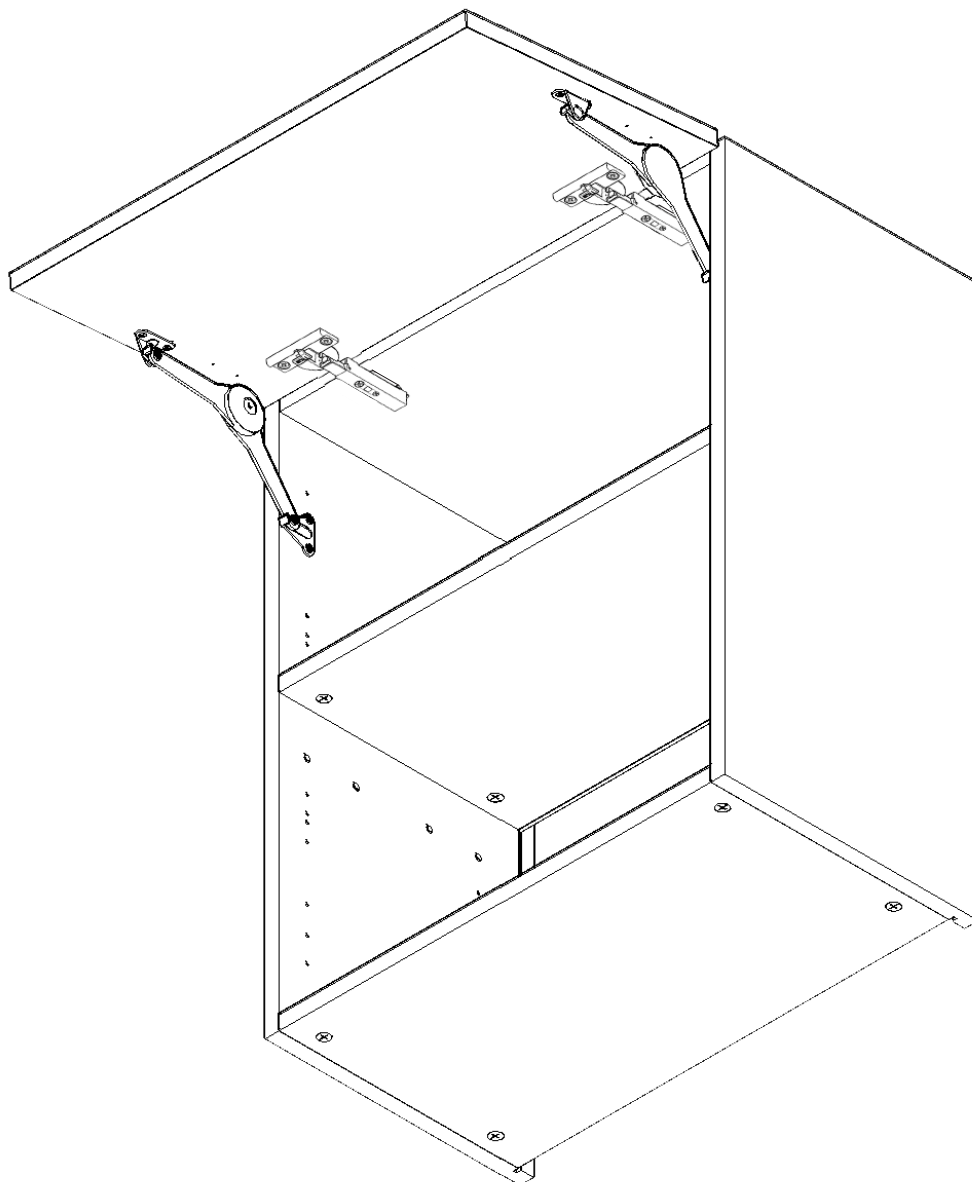


Vogue

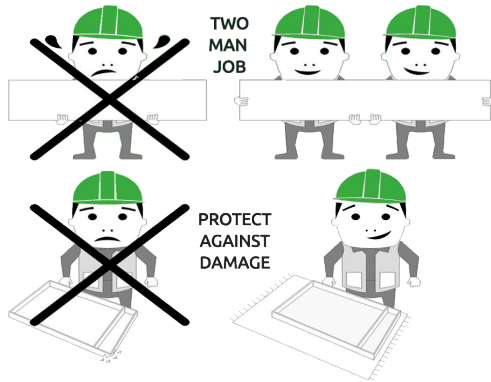
WALL UNIT

600 Microwave Assembly Guide



WALL UNIT

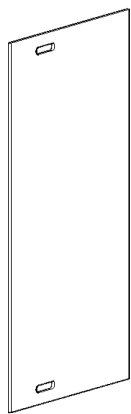
600 Microwave Assembly Guide



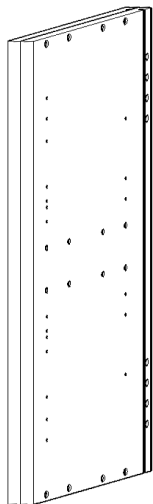
BEFORE YOU START

INSTALLATION SHOULD BE PERFORMED BY A COMPETENT PERSON ONLY.

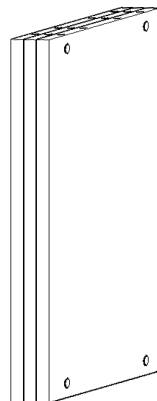
THIS PRODUCT COULD BE DANGEROUS IF INCORRECTLY INSTALLED



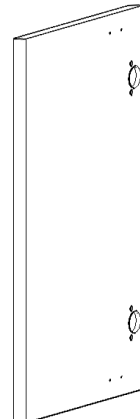
Panel A
x1 Back Panel



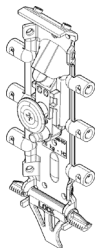
Panel B
x2 End Panel



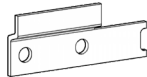
Panel C
x3 Base Panel



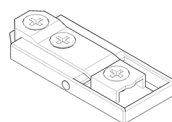
Frontal
(packed separately) x1



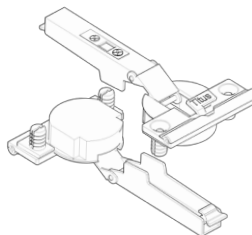
Hanging Bracket
x2 Inc Screws



Hanging Bracket Plate
x2 (Screws Not Included)



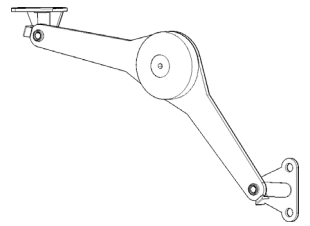
Hinge Mounting Plate
x2 Inc Screws



Hinge
x2 Inc Screws



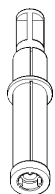
Hanging Bracket Cover Cap x2



Lift Hinge
x2 inc. Screws



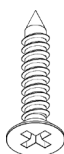
(F) x12
Wooden Dowel



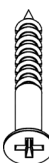
(G) x12
Cam Dowel (Expanding)



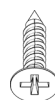
(H) x12
Cam Lock



(S) x4
20mm Screw



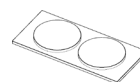
(K) x6
30mm Screw



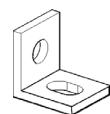
(L) x2
15mm Screw



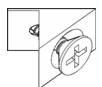
(M) x4
Cover Cap



(N) x1
Door Buffer



(FF) x2
L Bracket SML

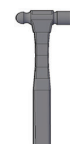


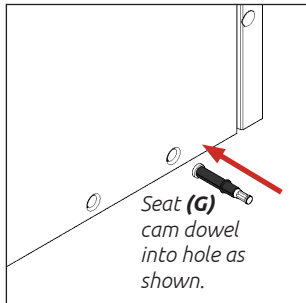
(T) x4
Back Panel Support Clip

REQUIRED TOOLS



NOT to be used with CAM DOWEL & CAM LOCK

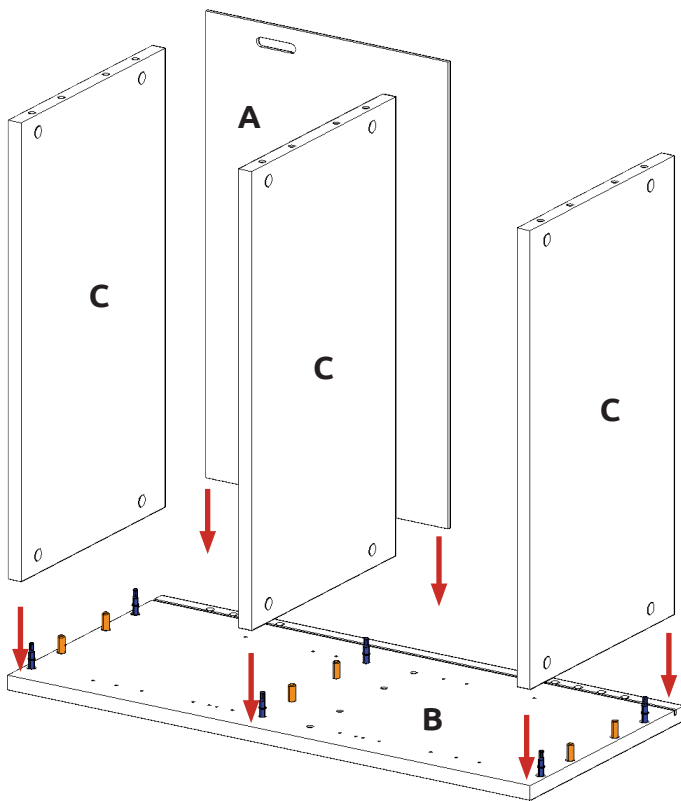
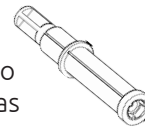




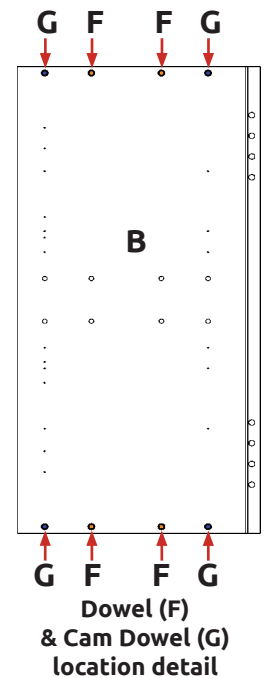
Step 1.
Seat dowel (F) into holes in end panel (B) as shown.



Step 2.
Seat cam dowel (G) into holes in end panel (B) as shown.



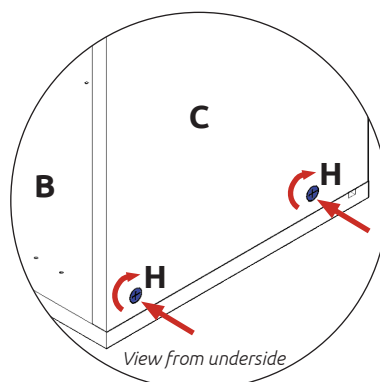
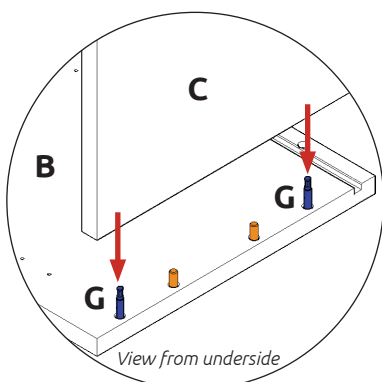
Step 3.
Attach panels x 3 (C) to panel (B), using cam dowels (G) (in blue), and also using dowels (F) (in orange) in positions as shown.



Step 4.
Slide panel (A) into the groove of panel (B).

! All cam locks (H) are to be positioned facing the outside of the unit carcass, for ease of tightening.

Do **not** use power tools with cam dowel (G) or cam lock (H)



Step 5.
Insert cam lock (H). Hand tighten all cam locks (H), this will expand the cam dowels (G) and tighten the unit together.



WALL UNIT

600 Microwave Assembly Guide

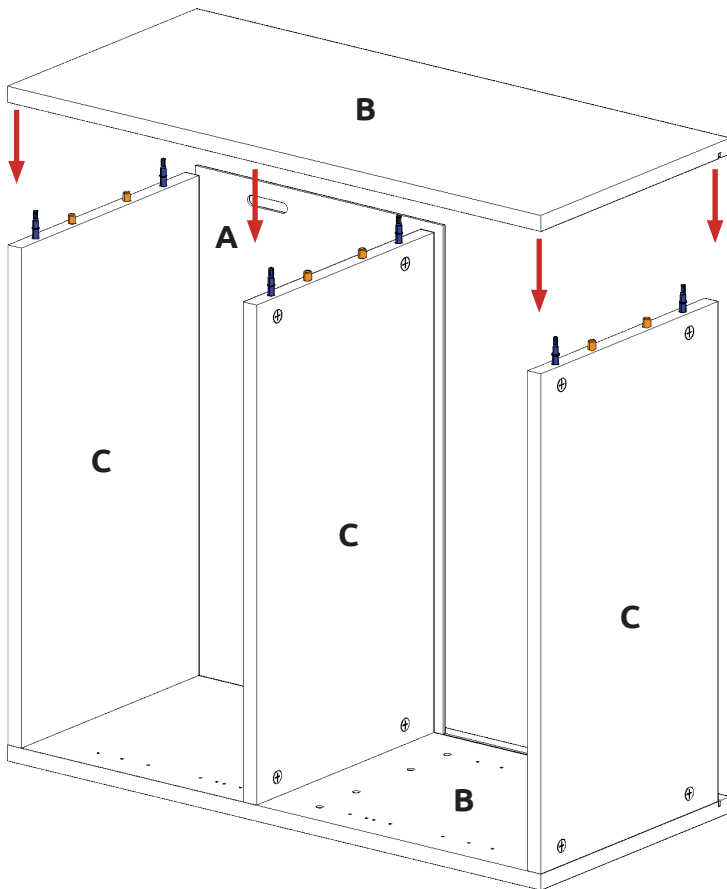
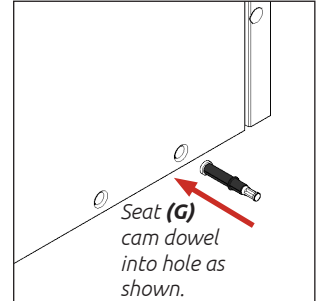
Step 6.

Seat dowel (F) into holes in end panel (B) as shown.



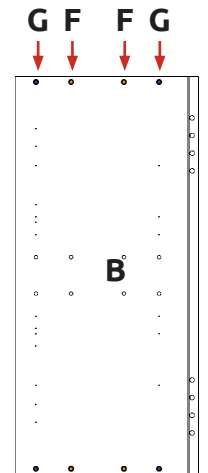
Step 7.

Seat cam dowel (G) into holes in end panel (B) as shown.



Step 8.

Attach panel (B) to panels x 3 (C), using cam dowels (G) (in blue), and also using dowels (F) (in orange) in positions as shown.

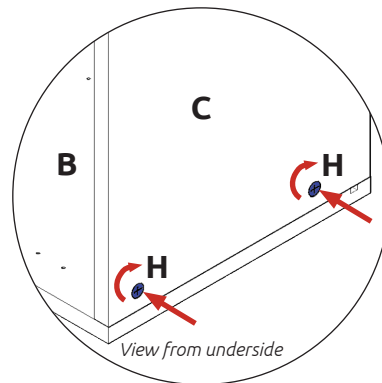
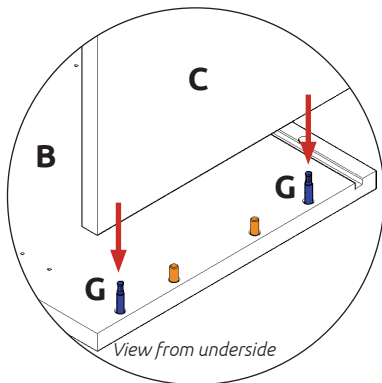


Dowel (F) & Cam Dowel (G) location detail



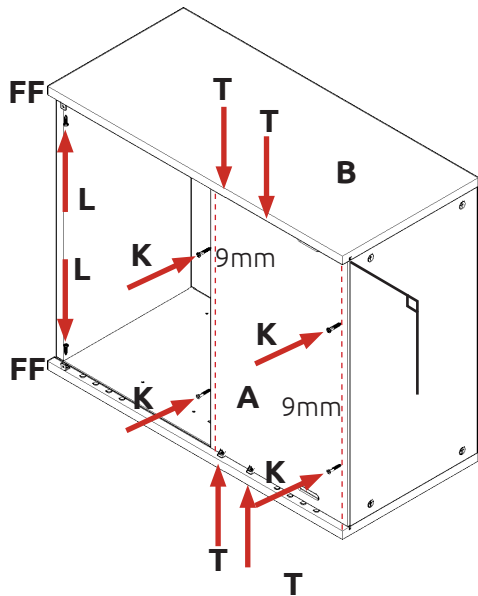
All cam locks (H) are to be positioned facing the outside of the unit carcass, for ease of tightening.

Do **not** use power tools with cam dowel (G) or cam lock (H)



Step 9.

Insert cam lock (H). Hand tighten all cam locks (H), this will expand the cam dowels (G) and tighten the unit together.

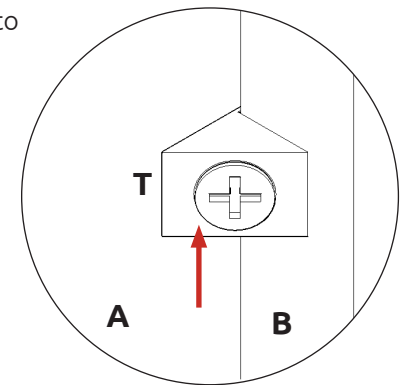
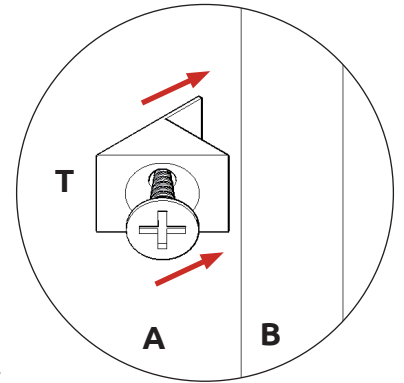


Step 10.

Ensure unit is square. Secure back panel (A) with 4 x 30mm Screws (K) as shown. Ensure you screw into centres of panel (C) 9mm from the edge

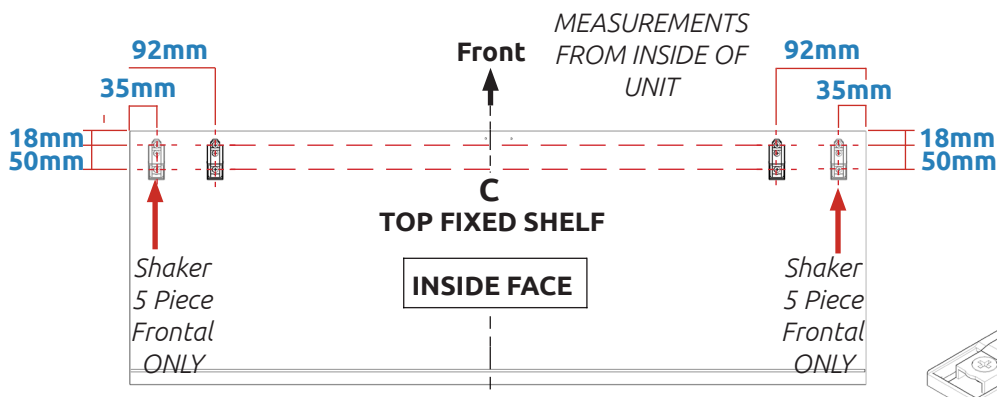
Step 11.

Slide the back panel clips (T) into the groove of both panels (B) & (C). The back panel clips (T) should be evenly spaced as shown and positioned to allow the hanging bracket and corner gussets to be fitted. Once in place, tighten screw.



Step 12.

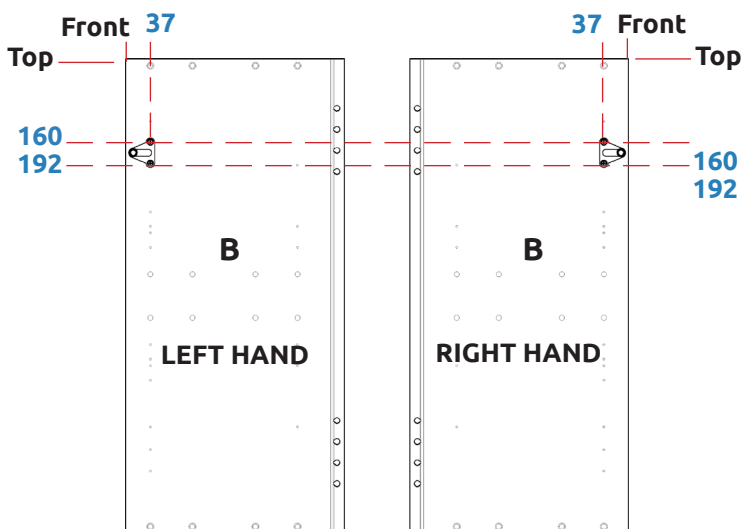
Secure L bracket SML (FF) to bottom left and right of wall unit using 1 x 15mm screws (L) per bracket, as shown.



Step 13.

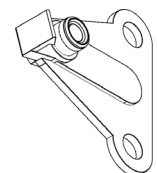
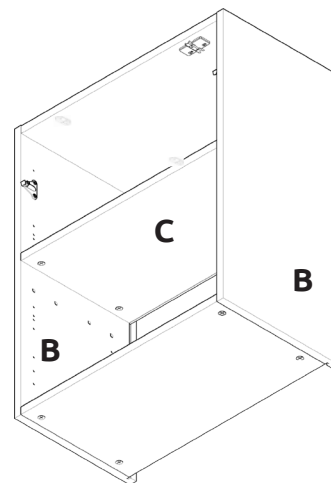
Measure and attach hinge mounting plate onto fixed shelf (C) as shown, using screws which are already positioned within the hinge plates.

Hinge Plates



Step 14.

Measure and attach lift hinge bracket with 2 x screws per bracket. The required screws are included inside lift hinge pack.



Removed from lift hinge

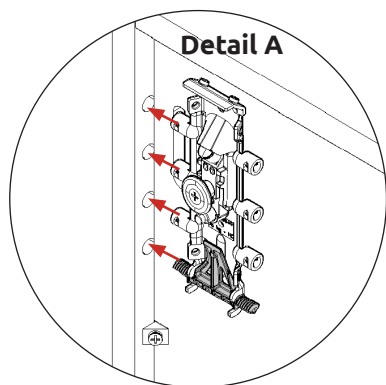
WALL UNIT

600 Microwave Assembly Guide



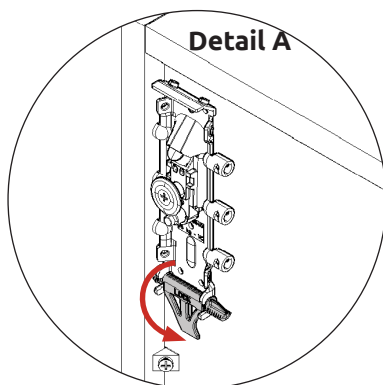
Care to be taken. Hanging procedure is necessary for a safe installation.

Step 15. Hanging brackets steps a, b & c to be carried out on both sides as shown



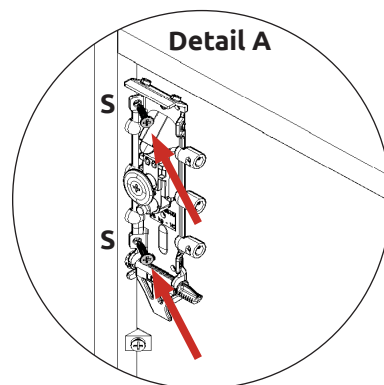
Step a

Insert hanging bracket into pre-drilled holes



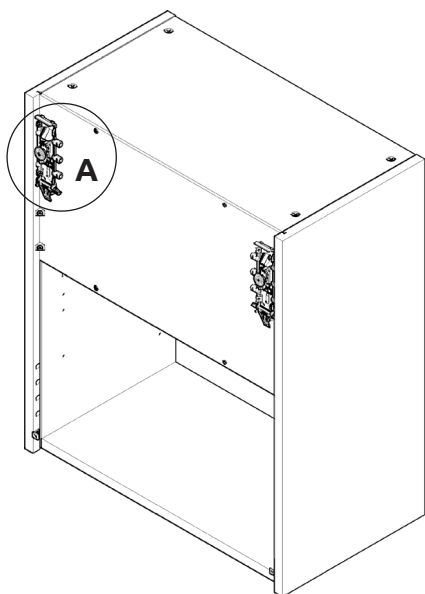
Step b

Rotate locking lever 180 degrees



Step c

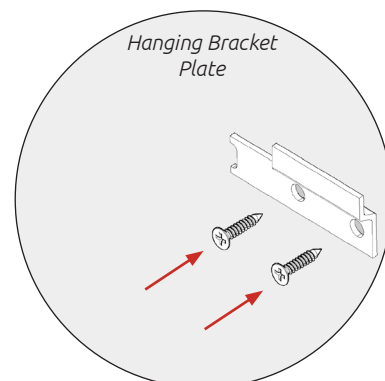
Secure with provided 2 x 20mm screws (S) per bracket



Screws for attaching to walls are not provided as these vary depending on materials, thickness and construction. Ensure appropriate fixings for wall construction are used.

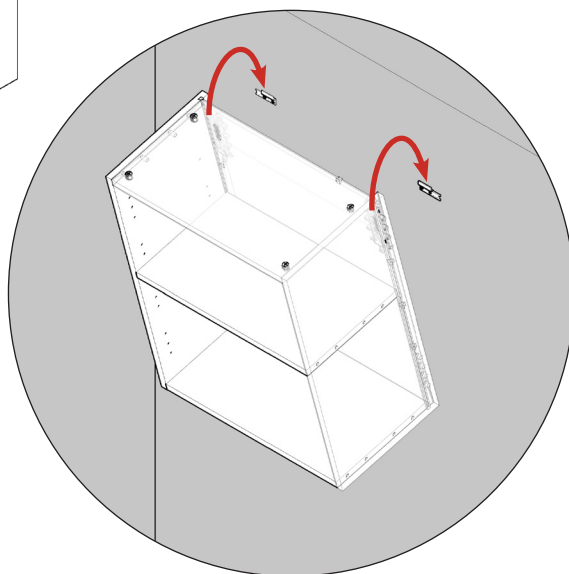
Step 16.

Measure appropriately and attach the 2 x hanging bracket plates onto the wall screwing through the provided holes into your wall.



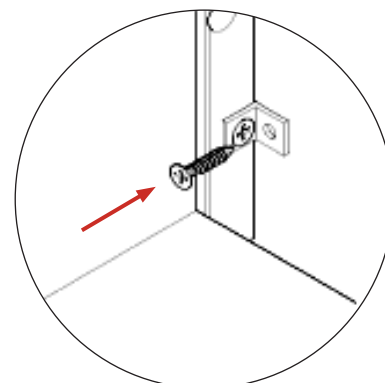
Step 17.

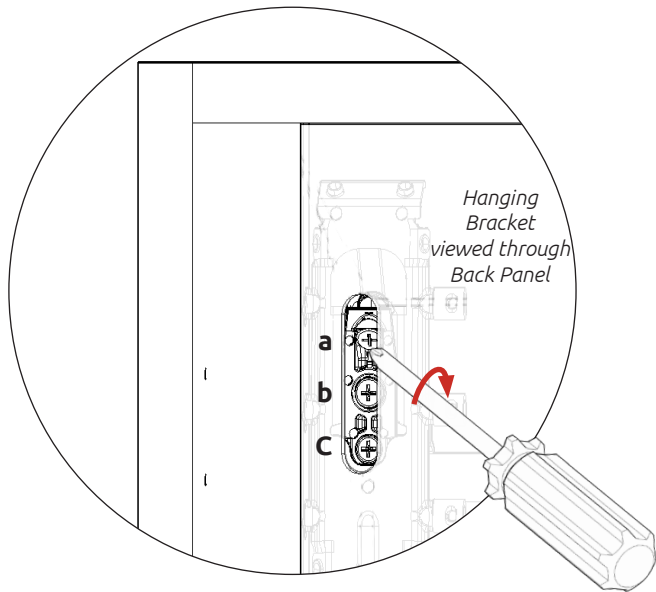
Hang the unit using the brackets to hook onto the plate as shown



Step 18.

Secure to the wall using 1 x appropriate screw through each L brackets (FF).



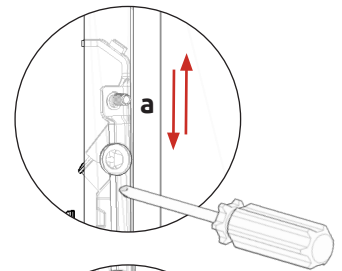


Step 19.

Using points a, b & c adjust the unit to suit.

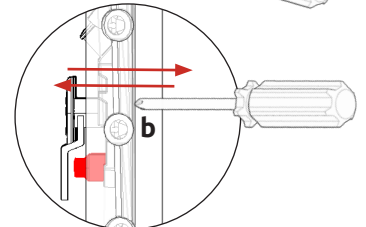
Step a.

Rotate the screw clockwise to move the unit up. Anti-clockwise for down.



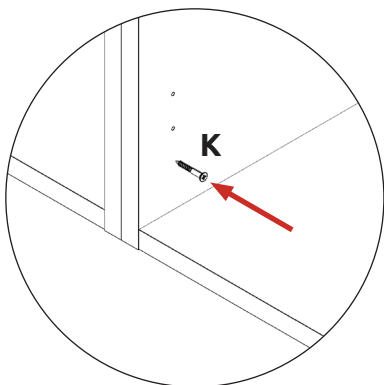
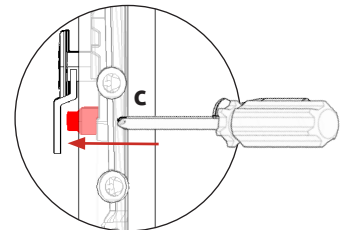
Step b.

Adjust the depth using centre screw.



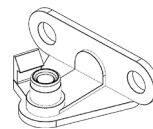
Step c.

Screw the red screw until it touches the plate to lock in position.



Step 20.

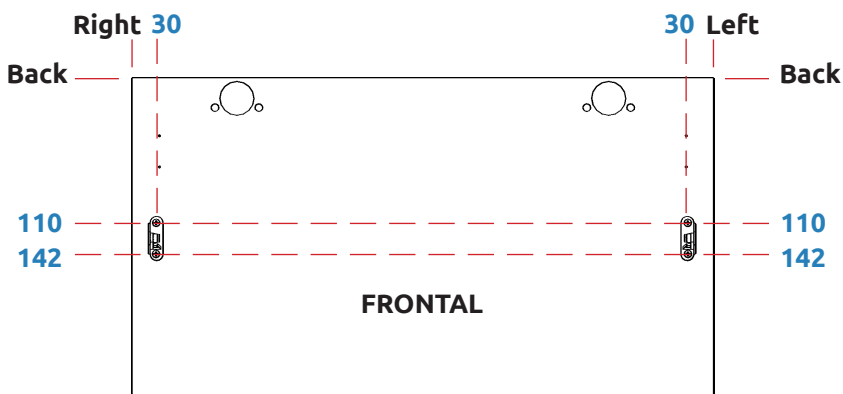
Screw into any side units using the provided 2 x 30mm screws (**K**) to secure the unit. Place cover caps (**M**) on the head to conceal it.



Removed from lift hinge

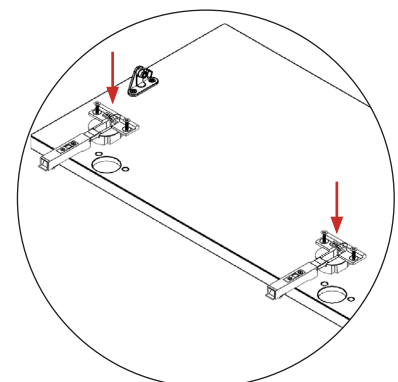
Step 21.

Measure and attach lift hinge bracket to frontal with 2 x screw per bracket. The required screws are included inside lift hinge pack.



Step 22.

Insert hinges into holes as shown.

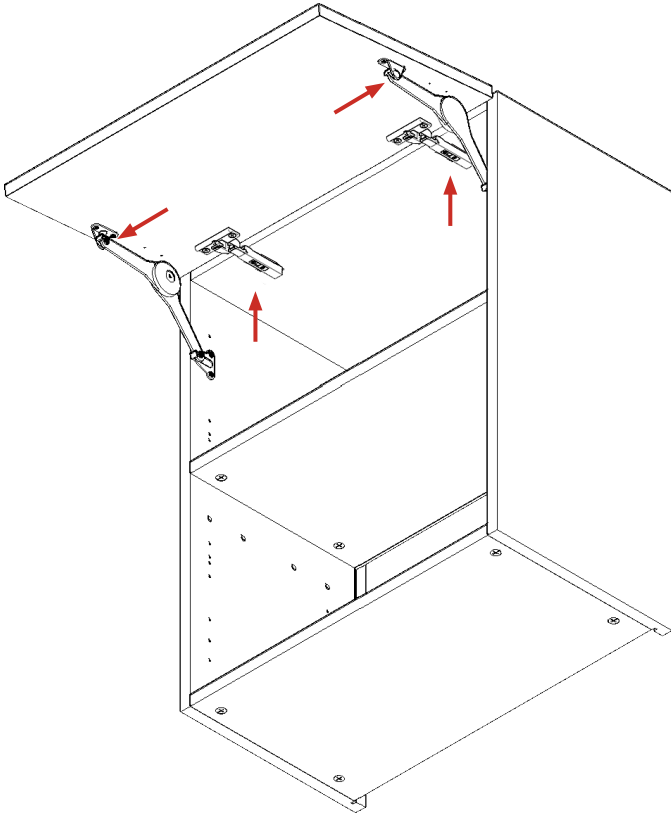


Step 23.

Secure hinges by tightening 2 x screws with hinge dowels attached. These are already positioned within the hinges.

WALL UNIT

600 Microwave Assembly Guide

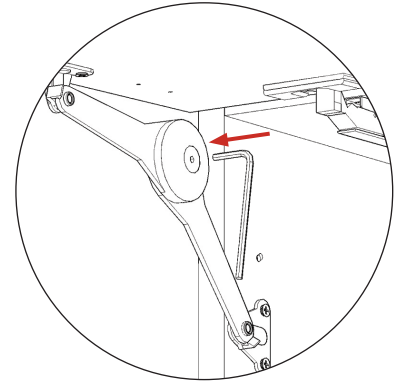


Step 24.

Clip hinges into hinge mounting plates on the unit.

Step 25.

Clip lift hinge mechanisms into each bracket.



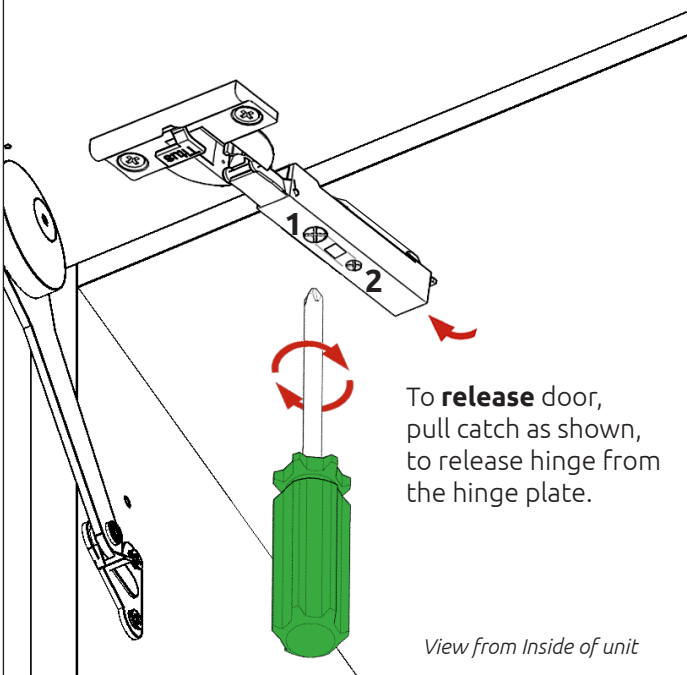
Step 26.

Use a 4mm allen key to adjust the strength of the lift hinge for the door weight.

The left and right hinges **MUST** be adjusted to the **SAME STRENGTH**.

FRONTAL HINGE ADJUSTMENT

To **adjust** hinge using a screw driver, tighten or loosen as required at points **1 & 2**.
 Point **1** - In - Out
 Point **2** - Left - Right

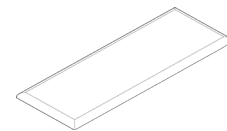
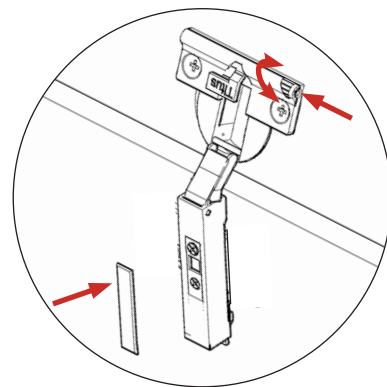


To **release** door, pull catch as shown, to release hinge from the hinge plate.

View from Inside of unit

Step 27.

Fit cover caps to hinge. Adjust Softclose to suit.



Hinge Cover Caps

The top and bottom hinges **MUST** be adjusted to the **SAME STRENGTH**.