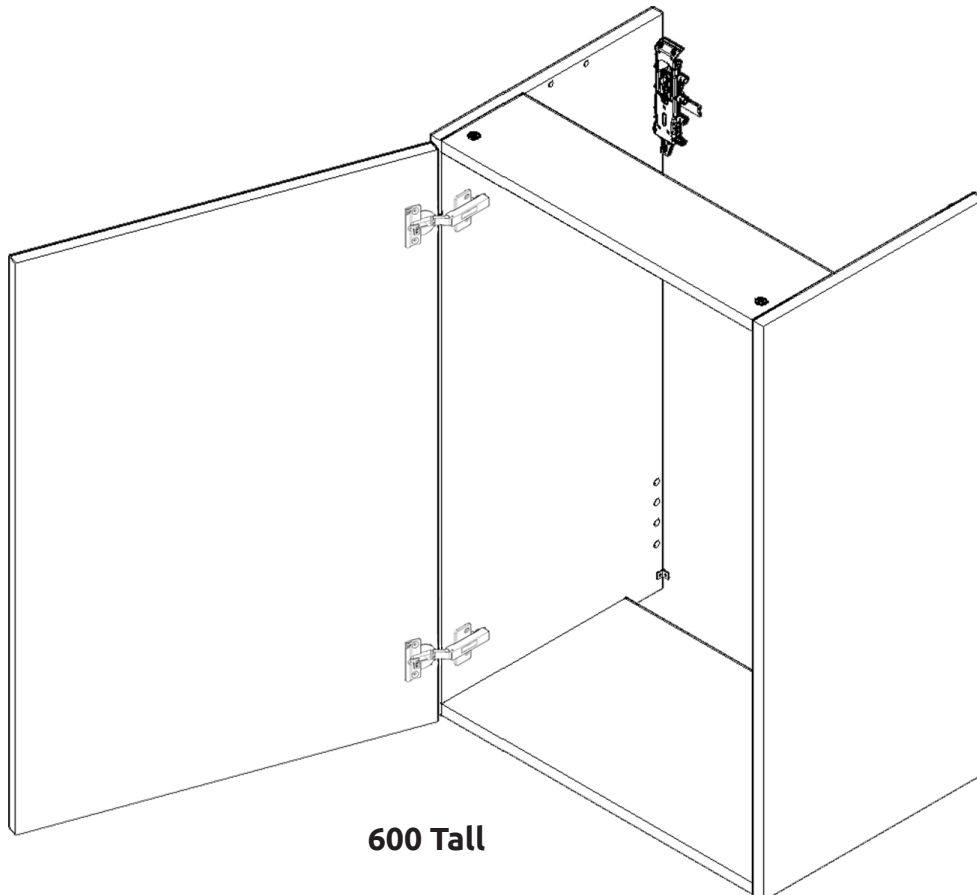
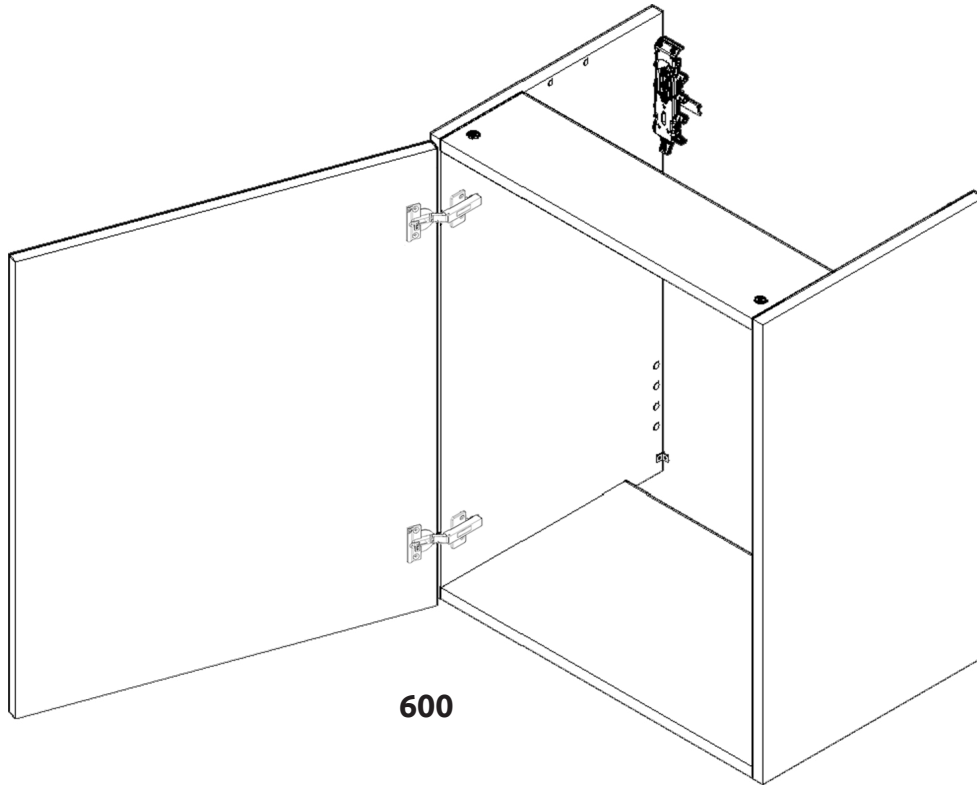


Vogue

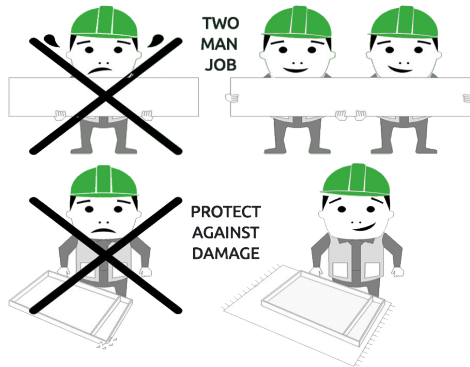
WALL UNIT

600 - 800 Tall Boiler Housing Assembly Guide



WALL UNIT

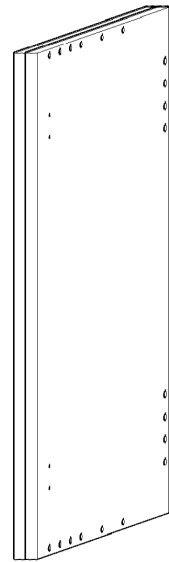
600 - 800 Tall Boiler Housing Assembly Guide



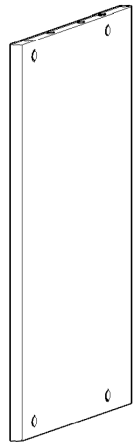
BEFORE YOU START

INSTALLATION SHOULD BE PERFORMED BY A COMPETENT PERSON ONLY.

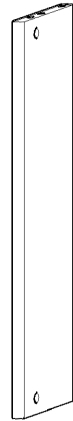
THIS PRODUCT COULD BE DANGEROUS IF INCORRECTLY INSTALLED



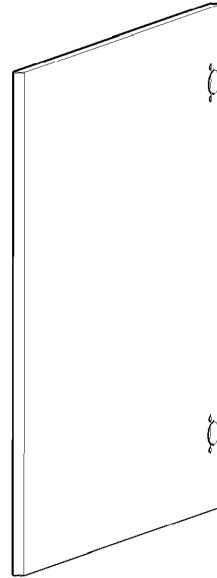
Panel B
x2 End Panel



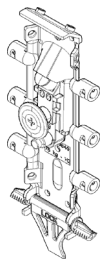
Panel C
x1 Base Panel



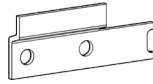
Panel E
x1 Rail



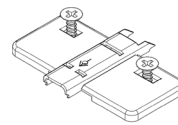
Frontal (packed separately)
x1



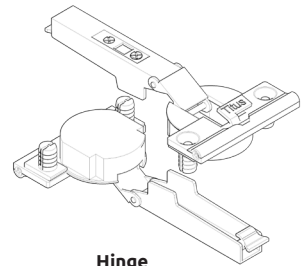
Hanging Bracket
x2 Inc Screws



Hanging Bracket Plate
x2 (Screws NOT included)



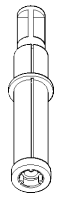
Hinge Mounting Plate
x2 Inc Screws



Hinge
x2 Inc Screws



(F) x8
Wooden Dowel



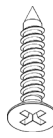
(G) x6
Cam Dowel (Expanding)



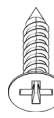
(H) x6
Cam lock



(K) x4
30mm Screw



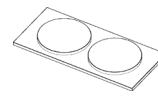
(S) x4
20mm Screw



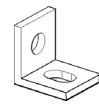
(L) x2
15mm Screw



(M) x4
Cover Cap



(N) x1
Door Buffer

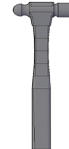


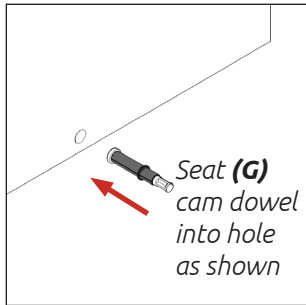
(FF) x2
L Bracket SML

REQUIRED TOOLS



NOT to be used with CAM DOWEL & CAM LOCK

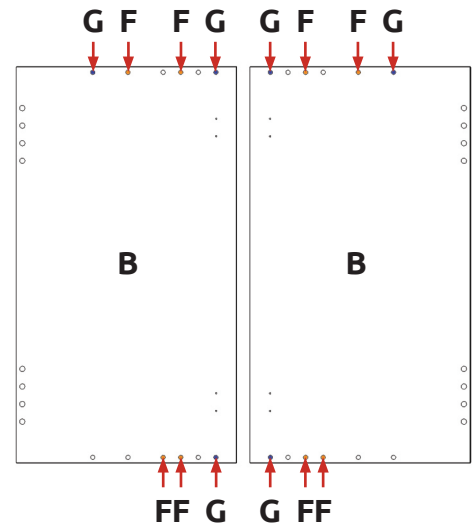
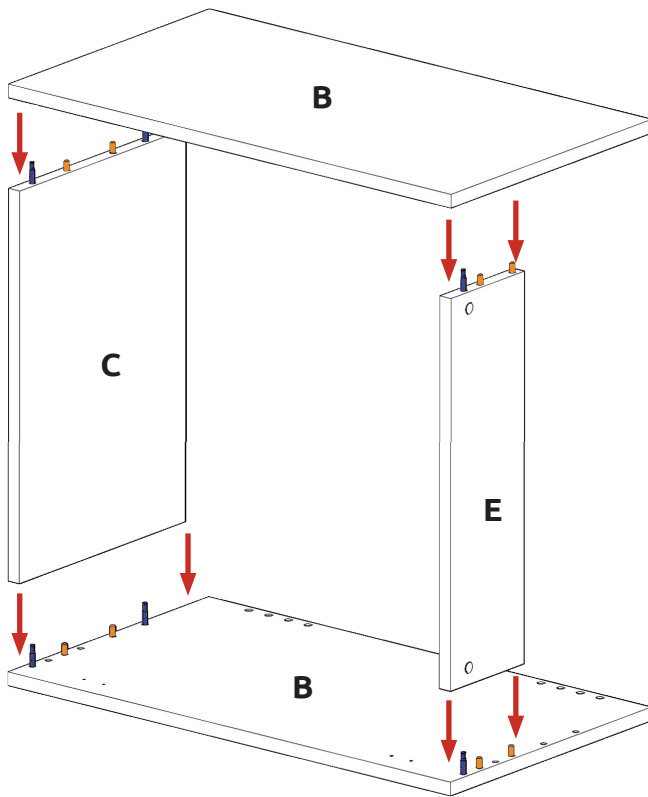




Step 1.
Seat dowel (F) into holes in both end panels (B) as shown.



Step 2.
Seat cam dowel (G) into holes in both end panels (B) as shown.



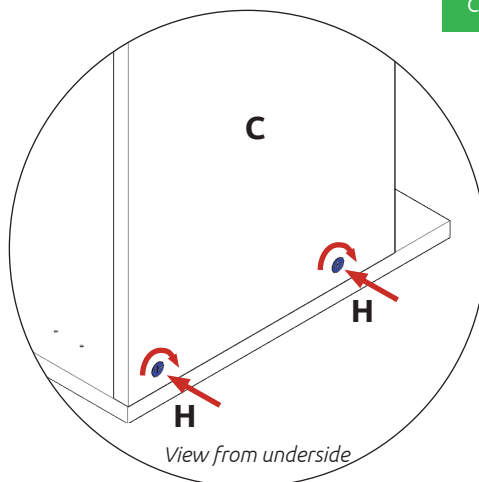
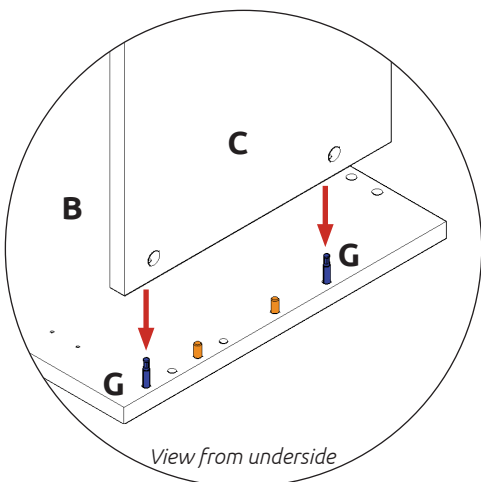
Dowel (F) & Cam Dowel (G) Location Detail

Step 3.
Attach panels (C) & (E) to panels (B), using cam dowel (G) (in blue) and also using dowels (F) (in orange) in positions as shown.



All cam locks (H) are to be positioned facing the outside of the unit carcass, for ease of tightening.

Do **not** use power tools with cam dowel (G) or cam lock (H)



Step 4.
Insert cam lock (H). Hand tighten all cam locks (H), this will expand cam dowels (G) and tighten the unit together.

WALL UNIT

600 - 800 Tall Boiler Housing Assembly Guide

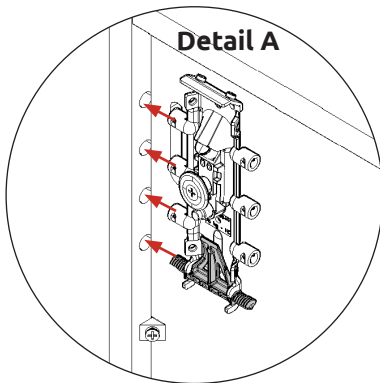


Screws for attaching to walls are not provided as these vary depending on materials, thickness and construction. Ensure appropriate fixings for wall construction are used.



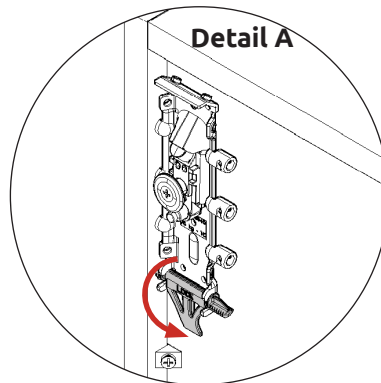
Care to be taken. Hanging procedure is necessary for a safe installation.

Step 5. Hanging Brackets steps a,b & c to be carried out on both sides as shown



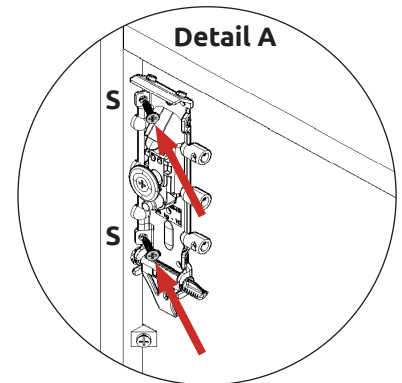
Step a

Insert hanging bracket into pre-drilled holes



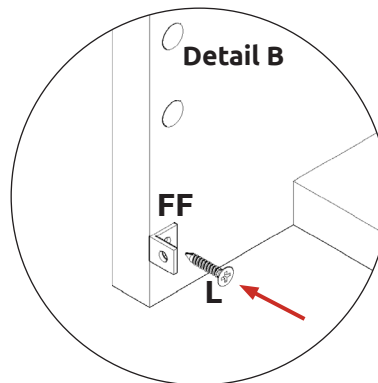
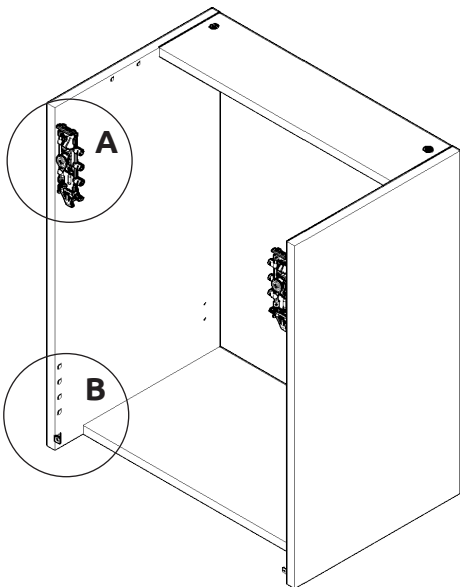
Step b

Rotate locking lever 180 degrees



Step c

Secure with provided 2 x 20mm screws (**S**) per bracket

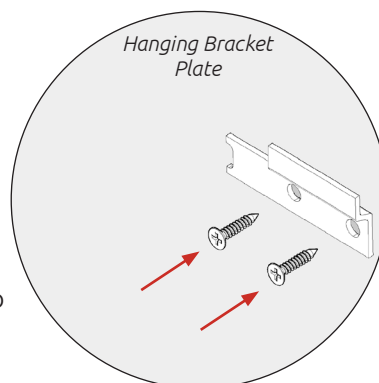


Step 6.

Secure L brackets SML to the bottom left and right hand side of the wall unit using 2 x 15mm screws (**L**) per bracket.

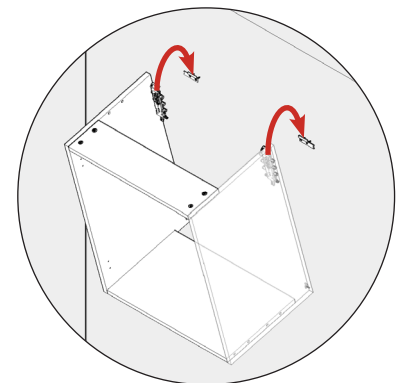
Step 7.

Measure appropriately and attach the 2 x hanging bracket plates onto the wall screwing through the provided holes into your wall.



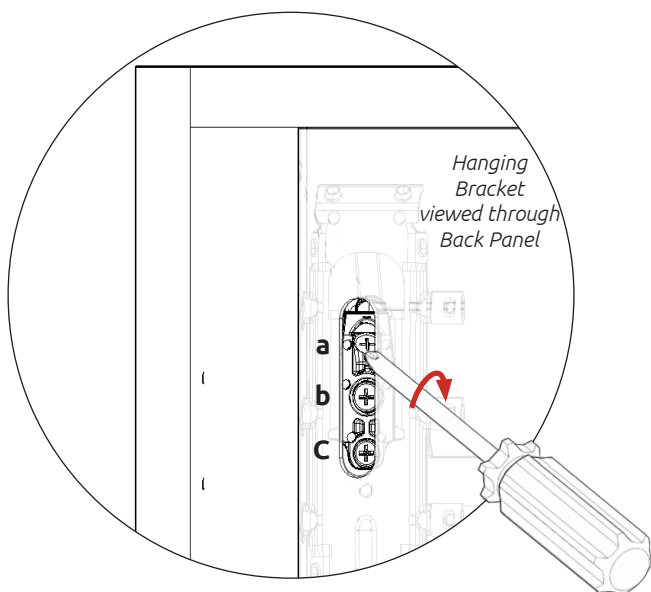
Step 8.

Hang the unit using the brackets to hook onto the plate as shown.



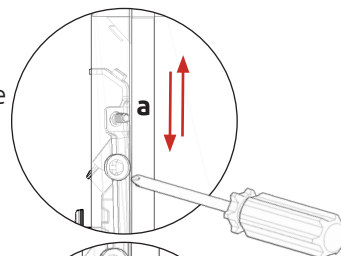
Step 9.

Using points a, b & c adjust the unit to suit.



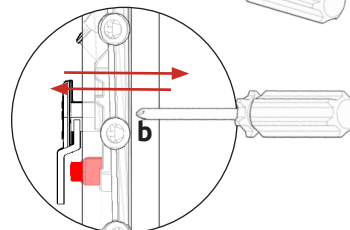
Step 9a.

Rotate the screw clockwise to move the unit up. Anti-clockwise for down.



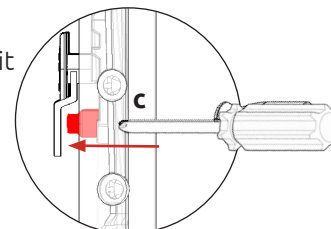
Step 9b.

Adjust the depth using centre screw.



Step 9c.

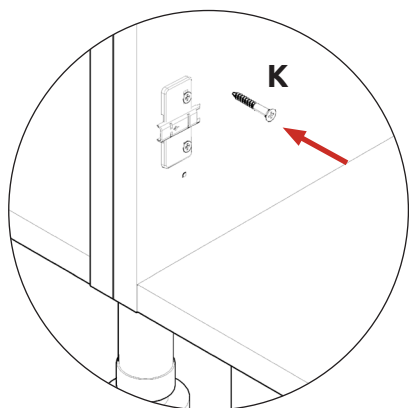
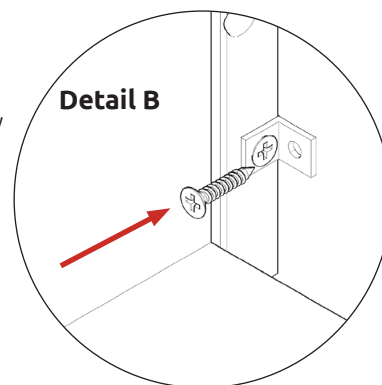
Screw the red screw until it touches the plate to lock in position.



Step 10.

Secure to the wall using 1 x appropriate screw through each L brackets SML (FF).

Screws for fixing to walls are not provided as these vary depending on your wall material and construction. Ensure appropriate fixings for wall constructions are used.

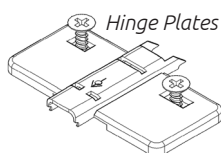


Step 11.

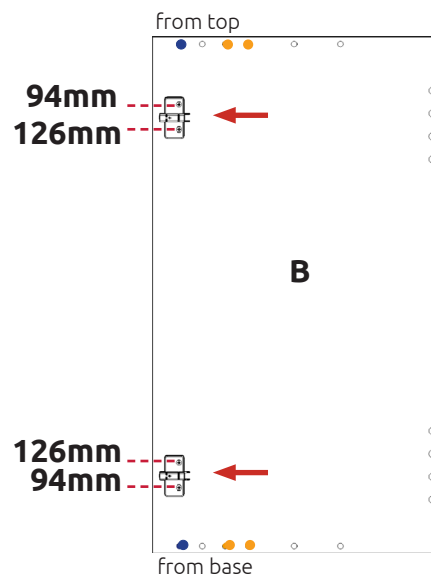
Screw into any side units using the provided 2 x 30mm screws (K) to secure the units. Screw just to the rear of the hinge plates then place cover caps (M) on the head to conceal it.

Step 12.

Attach hinge mounting plates onto end panels (B) in locations shown using screws already in the mounting plate.

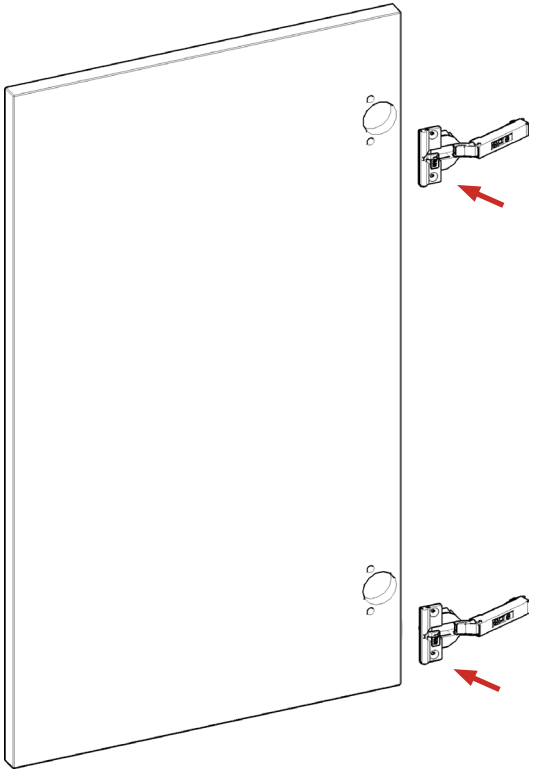


Hinge side or sides to be mounted in accordance to Customer Specific Kitchen Plan.



WALL UNIT

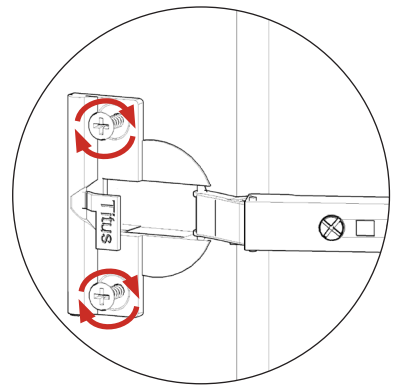
600 - 800 Tall Boiler Housing Assembly Guide



Step 15.
Adjust hinge to suit. As shown below.

Step 12.
Insert hinge in top & bottom holes as shown.

Step 13.
Secure hinges by tightening 2 x screws with hinge dowels attached. These are already positioned within the hinges.



Step 14.
Attach the door to unit where required.

To attach door clip hinge onto hinge plate and click to secure.

FRONTAL HINGE ADJUSTMENT

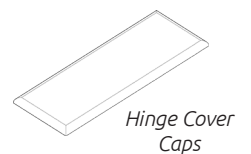
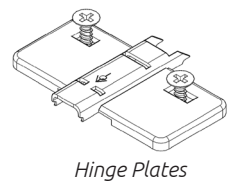
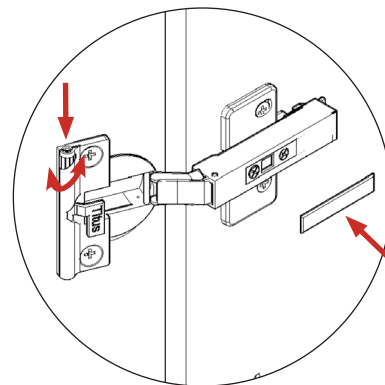
To **adjust** hinge using a screw driver, tighten or loosen as required at points **1 & 2**.
Point **1** - In - Out
Point **2** - Left - Right

To **Move** the hinge up/down, loosen screws A + B, Manoeuvre the door, then re-tighten the screws

To **release** door, pull catch as shown, to release hinge from the hinge plate.

View from inside of unit

Step 16.
Fit cover caps to hinge.
Adjust Soft Close to suit.



The top and bottom hinges **MUST** be adjusted to the **SAME STRENGTH.**

wren
KITCHENS