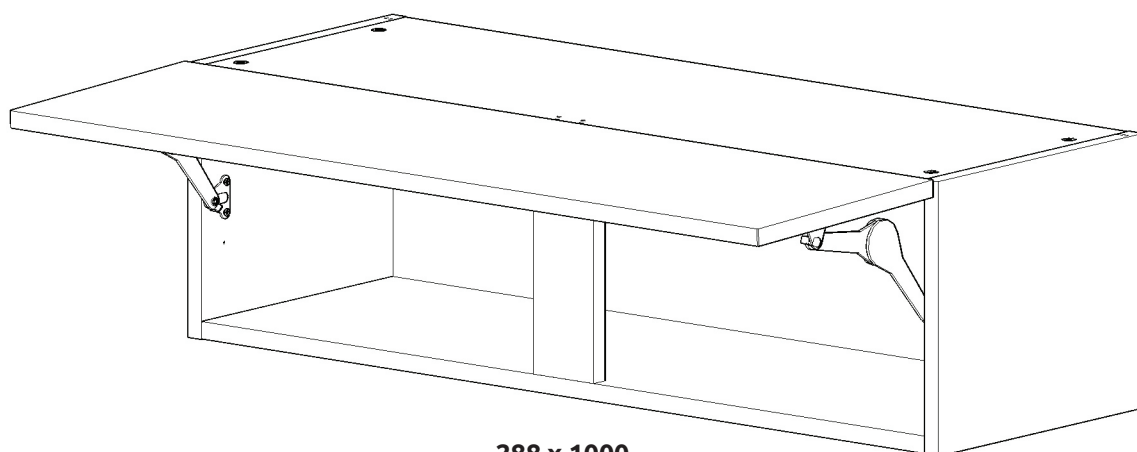


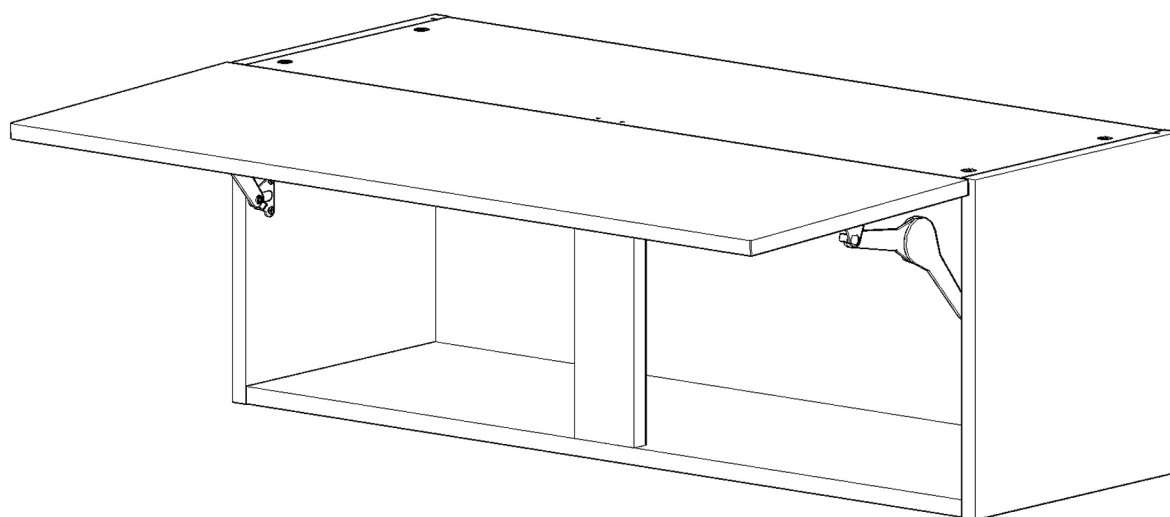
Vogue

WALL UNIT

1000 Lift Assembly Guide



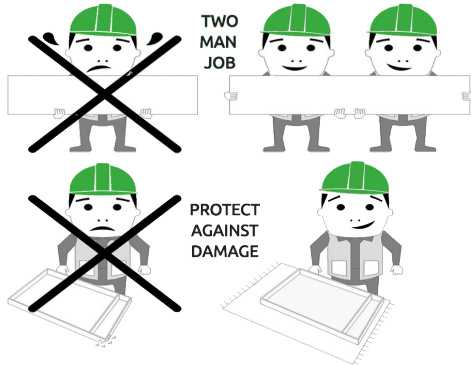
288 x 1000



360 x 1000

WALL UNIT

1000 Lift Assembly Guide



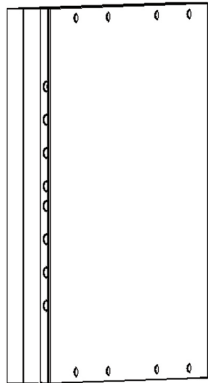
BEFORE YOU START

INSTALLATION SHOULD BE PERFORMED BY A COMPETENT PERSON ONLY.

THIS PRODUCT COULD BE DANGEROUS IF INCORRECTLY INSTALLED



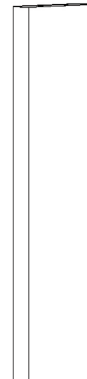
Panel A
x1 Back Panel



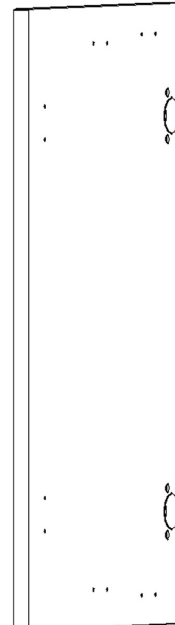
Panel B
x2 End Panel



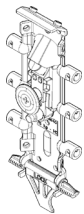
Panel C
x2 Base Panel



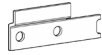
Muntin
x1



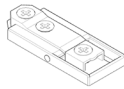
Frontal
(packed separately)
x1



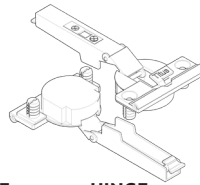
HANGING BRACKET
x2 Inc Screws



HANGING BRACKET PLATE
x2 (Screws NOT included)



HINGE MOUNTING PLATE
x2 Inc Screws



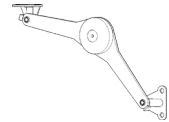
HINGE
x2 Inc Screws



CORNER GUSSET
x2



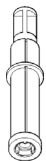
HANGING BRACKET COVER CAP
x2



LIFT HINGE
x2 Inc Screws



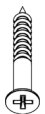
(F) x8
Wooden Dowel



(G) x8
Cam Dowel (Expanding)



(H) x8
Cam Lock



(K) x4
30mm Screw



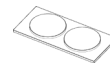
(L) x8
15mm Screw



(S) x4
20mm Screw



(M) x8
Cover Cap



(N) x1
Door Buffer

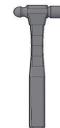
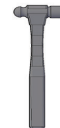


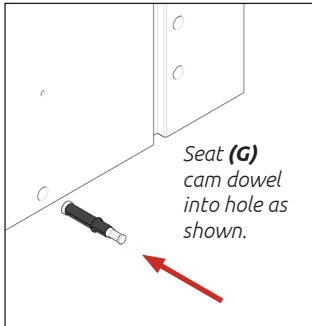
(T) x10
Back Panel Support Clip

REQUIRED TOOLS

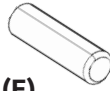


NOT to be used with CAM DOWEL & CAM LOCK

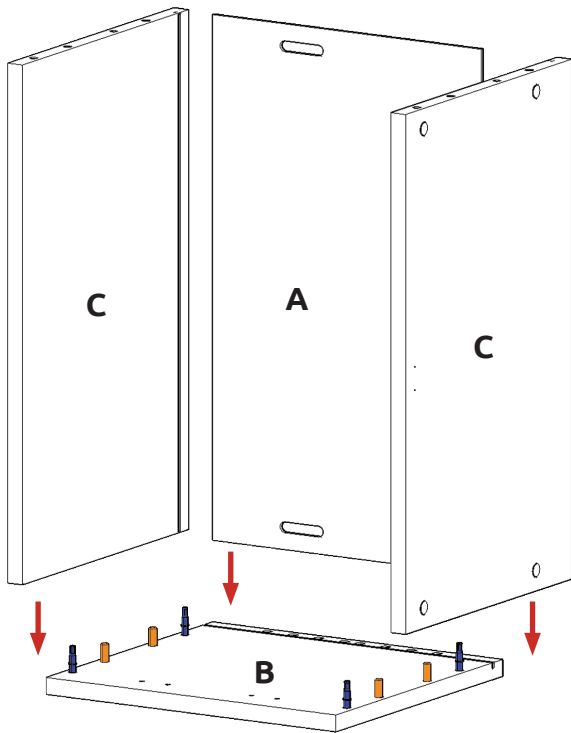
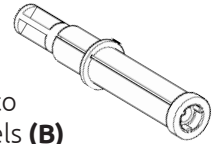




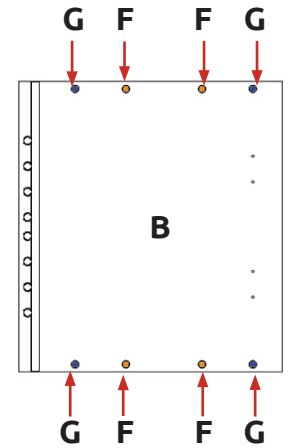
Step 2.
Seat dowel (F) into holes in both end panels (B) as shown.



Step 3.
Seat cam dowel (G) into holes in both end panels (B) as shown.



Step 3.
Attach panels x2 (C) to panel (B), using cam dowels (G) (in blue) and also using dowels (F) (in orange) in positions as shown.



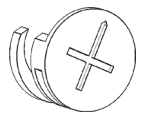
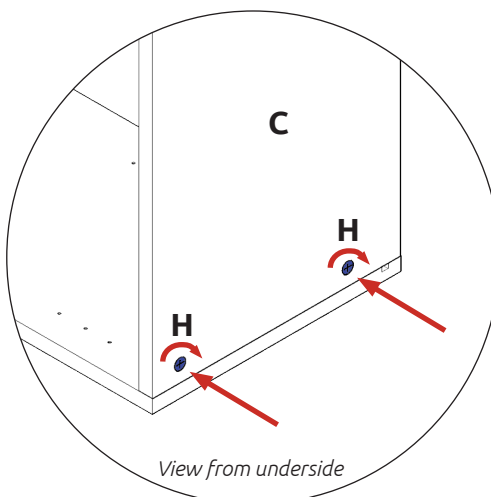
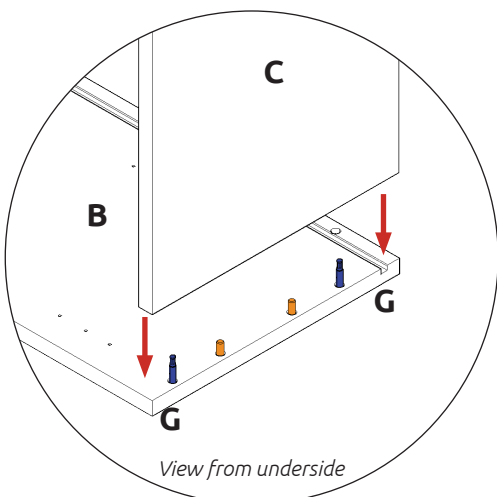
Step 4.
Slide panel (A) into the groove of panels (B) and x 2 (C).

Dowel (F) & Cam Dowel (G) location detail



All cam locks (H) are to be positioned facing the outside of the unit carcass, for ease of tightening.

Do **not** use power tools with cam dowel (G) or cam lock (H)



Step 5.
Insert cam lock (H). Hand tighten all cam locks (H), this will expand the cam dowels (G) and tighten the unit together.

WALL UNIT

1000 Lift Assembly Guide

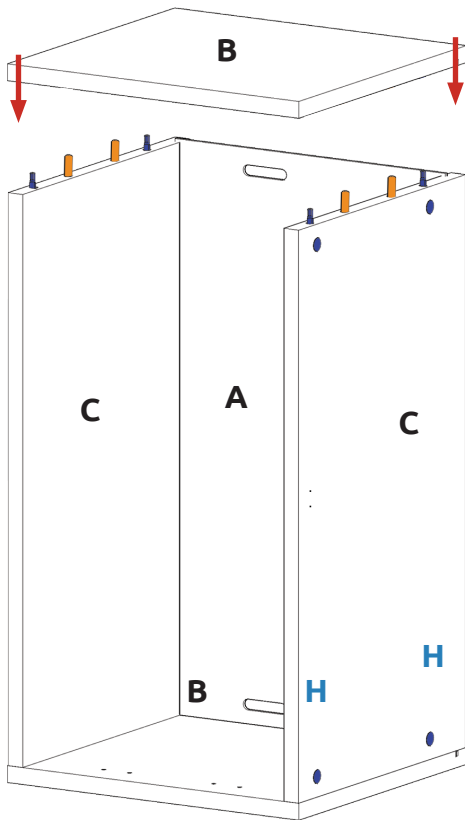
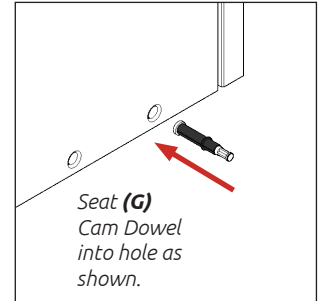
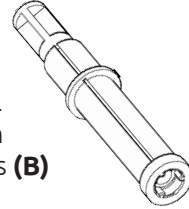
Step 6.

Seat dowel (F) into holes in both panels (B) as shown.



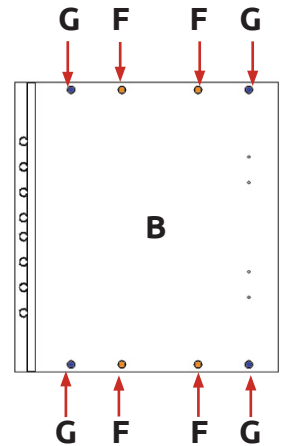
Step 7.

Seat cam dowel (G) into holes in both end panels (B) as shown.



Step 8.

Attach panel (B) to panels (C) using cam dowels (G) (in blue) and also using dowels (F) (in orange) in positions as shown. Ensure panel (A) is seated into the groove of panel (B).

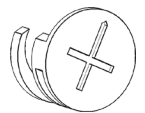
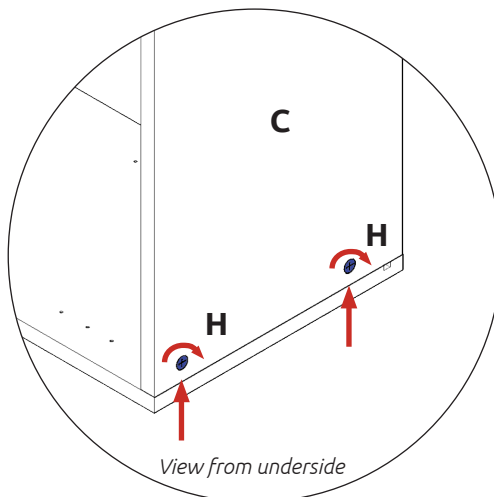
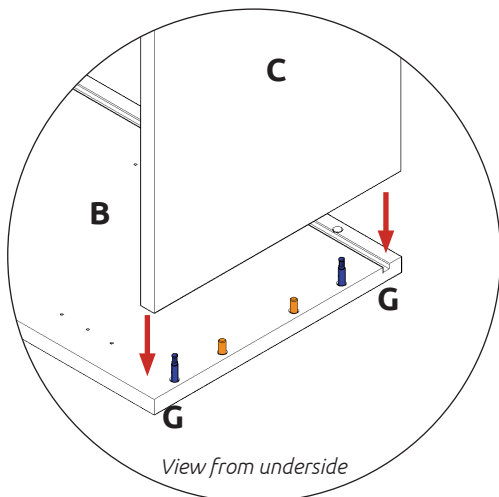


Dowel (F) & Cam Dowel (G) location detail



All cam locks (H) are to be positioned facing the outside of the unit carcase, for ease of tightening.

Do **not** use power tools with cam dowel (G) or cam lock (H)

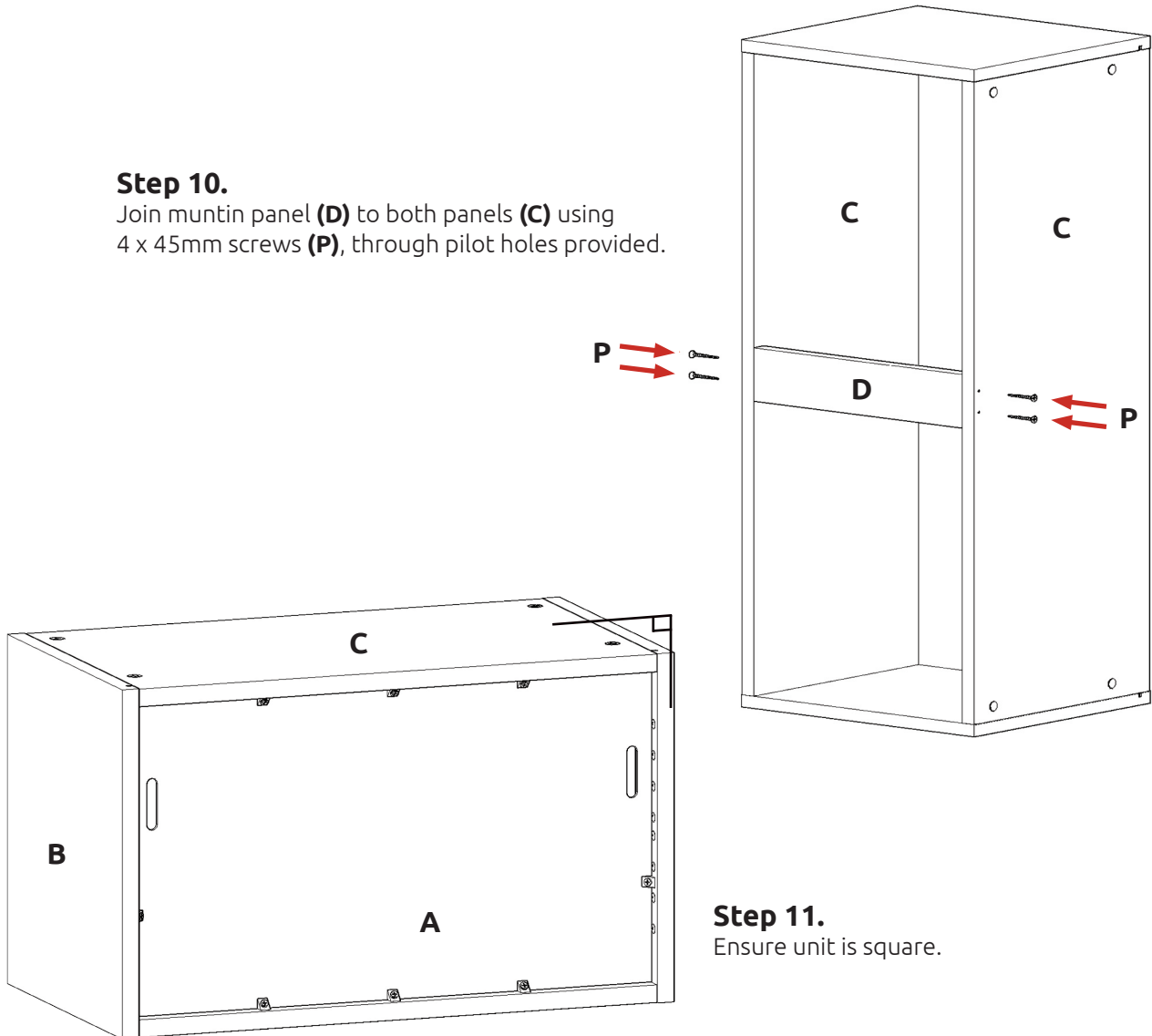


Step 9.

Insert cam lock (H). Hand tighten all cam locks (H), this will expand the cam dowels (G) and tighten the unit together.

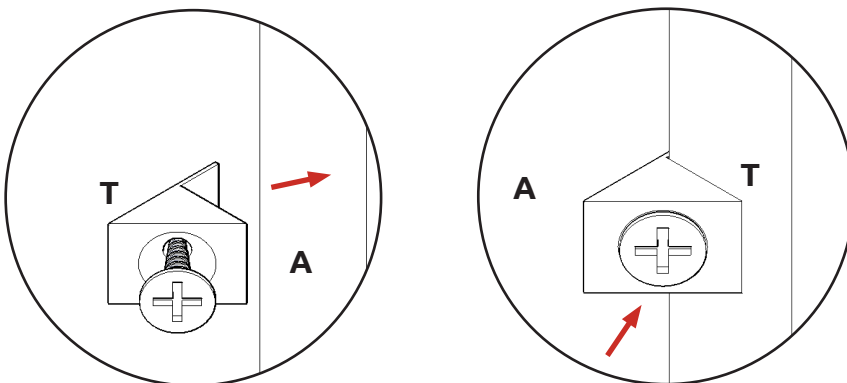
Step 10.

Join muntin panel (D) to both panels (C) using 4 x 45mm screws (P), through pilot holes provided.



Step 11.

Ensure unit is square.



Step 12.

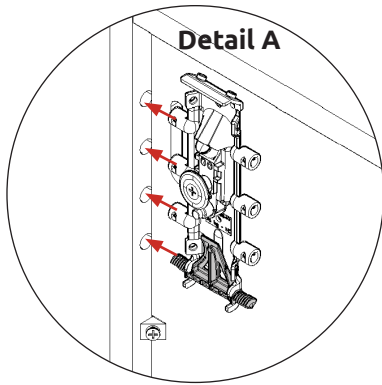
Slide the back panel clips (T) into the groove of both panels (B) & (C). The back panel clips (T) should be evenly spaced as shown and positioned to allow the hanging bracket and corner gussets to be fitted. Once in place, tighten screw.

The side back panel Clips should be disregarded for the 288 units.

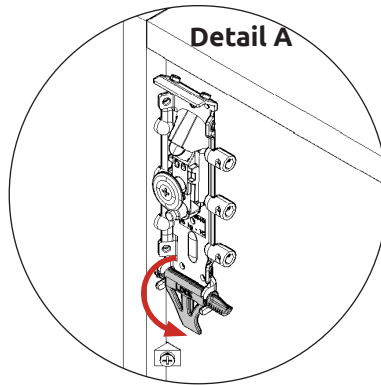
WALL UNIT

1000 Lift Assembly Guide

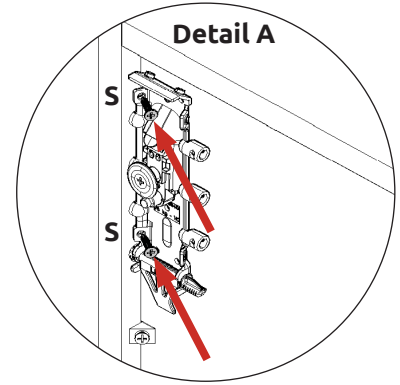
Step 13. Hanging Brackets steps a,b & c to be carried out on both sides as shown



Step a
Insert hanging
bracket into pre-drilled holes



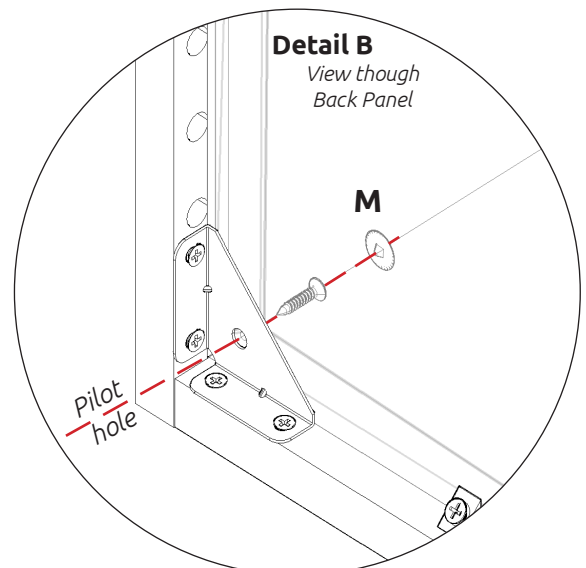
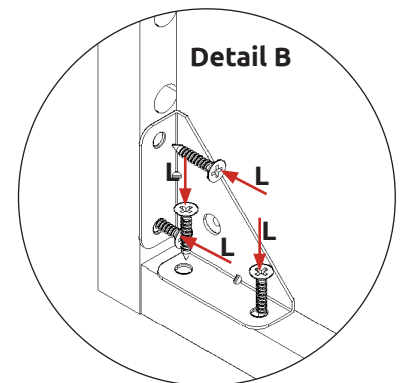
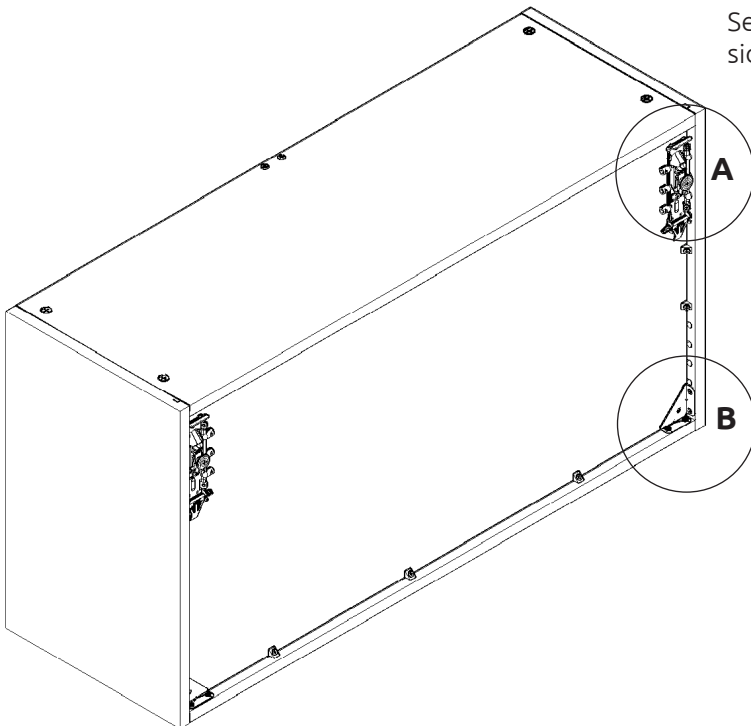
Step b
Rotate locking
lever 180 degrees



Step c
Secure with provided
2 x 20mm screws **(S)** per bracket

Step 14.

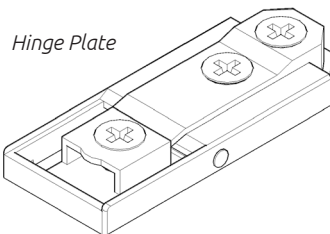
Secure corner gussets to the bottom left and right hand side of the wall unit using 4 x 15mm screws **(L)** per plate.



Step 15.

Drill a small pilot hole through the centre of the corner gussets. Use this hole at the end of the process to screw through and into the wall. Cover the screw heads using the cover caps **(M)** provided.

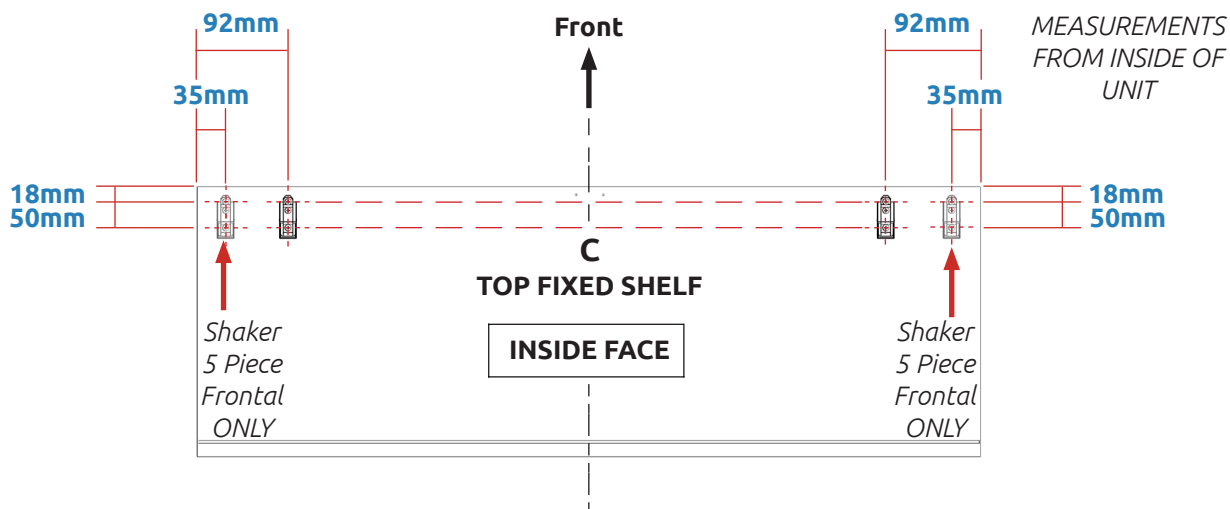
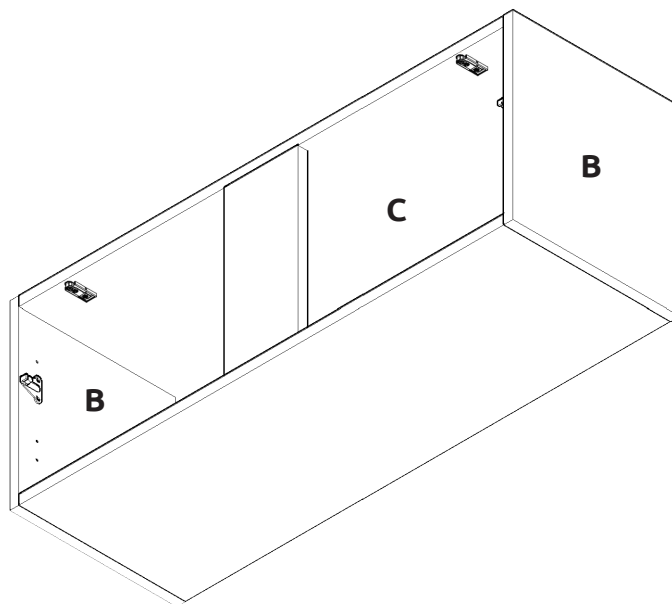
Screws for fixing to walls are not provided as these vary depending on your wall material and construction. Ensure appropriate fixings for wall constructions are used.



16. Hinge Plate.

Using a 5mm Drill bit, drill into Top fixed shelf (C) using measurements as shown. Attach Hinge Mounting Plate onto top fixed shelf (C) using screws which are already positioned within the Hinge Plates.

N.B. for Shaker 5 Piece Frontals, use 35mm measurement (M).

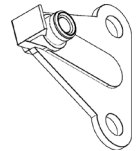
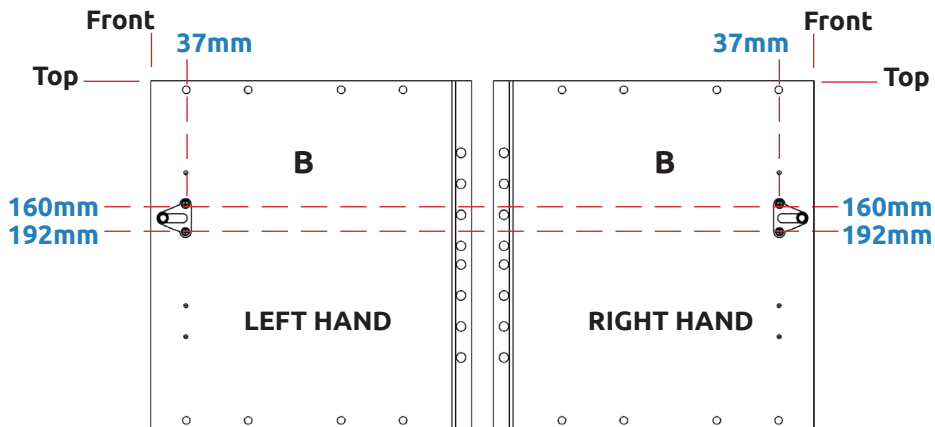


WALL UNIT

1000 Lift Assembly Guide

Step 17.

Measure and attach lift hinge bracket with 2 x screws per bracket. The required screws are included inside lift hinge pack.



Removed from lift hinge

Step 18.

Measure and attach lift hinge bracket to the frontal with 2 x screws per bracket. The required screws are included inside lift hinge pack.

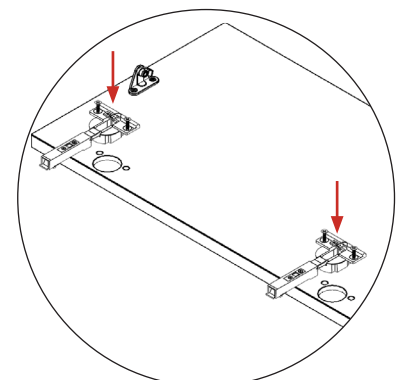


Step 19.

Insert hinges into holes provided.

Step 20.

Secure hinges by tightening 2 x screws with hinge dowels attached. These are already positioned within the hinges.





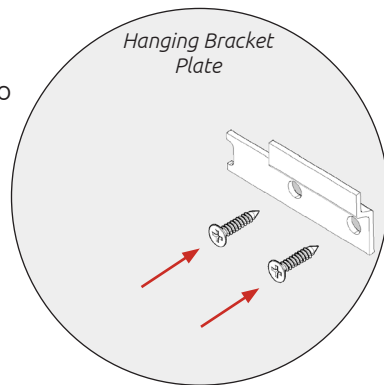
Care to be taken. Hanging procedure is necessary for a safe installation.



Screws for attaching to walls are not provided as these vary depending on materials, thickness and construction. Ensure appropriate fixings for wall construction are used.

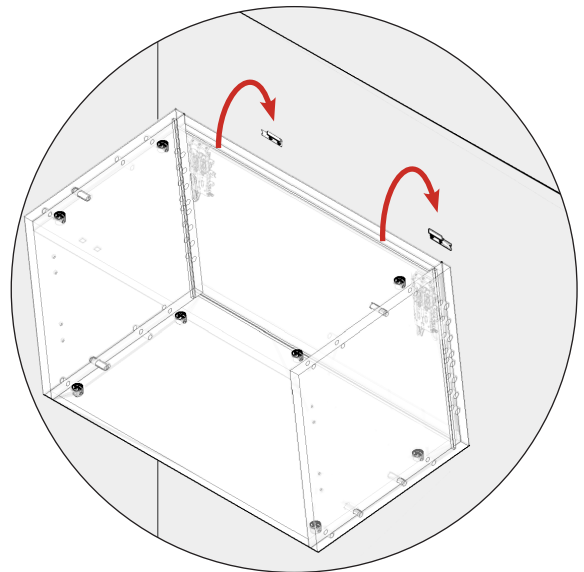
Step 21.

Measure appropriately and attach the 2 x hanging bracket plates onto the wall screwing through the provided holes into your wall.



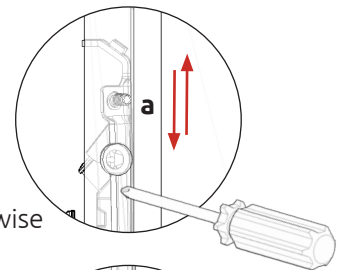
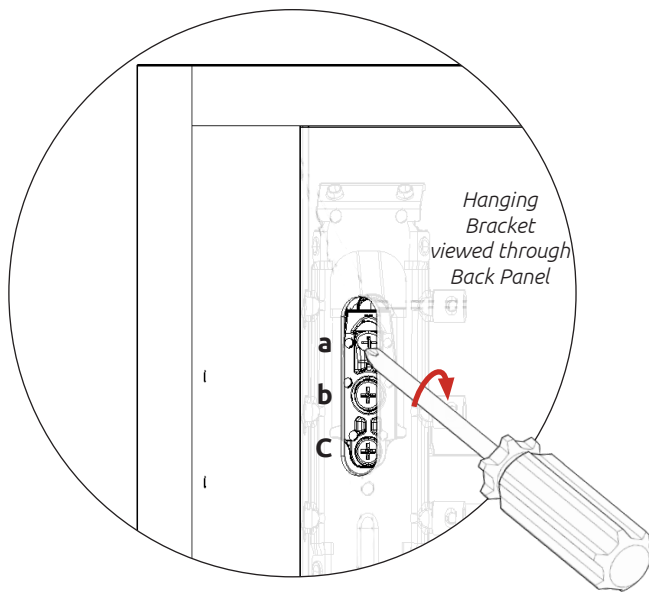
Step 22.

Hang the unit using the brackets to hook onto the plate as shown



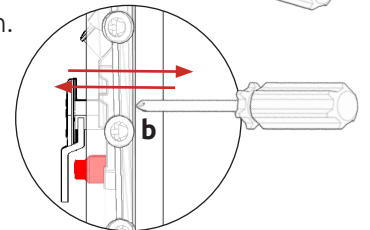
Step 23.

Using points a, b & c adjust the unit to suit.



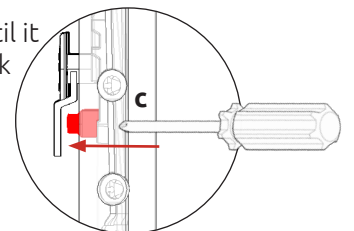
Step a.

Rotate the screw clockwise to move the unit up. Anti-clockwise for down.



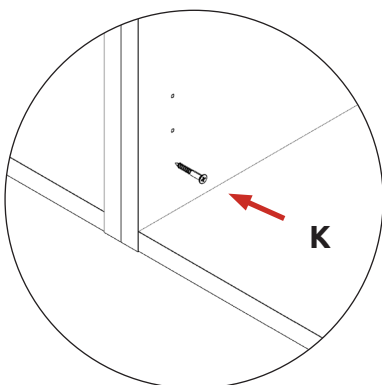
Step b.

Adjust the depth using centre screw.



Step c.

Screw the red screw until it touches the plate to lock in position.



Step 24 .

Screw into any side units using the provided 2x 30mm screws (K) to secure the unit. Screw just to the rear of the hinge plate then place a cover caps (M) on the head to conceal it.

WALL UNIT

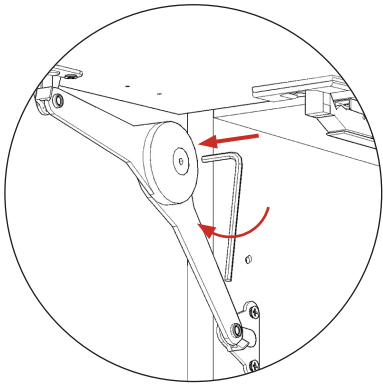
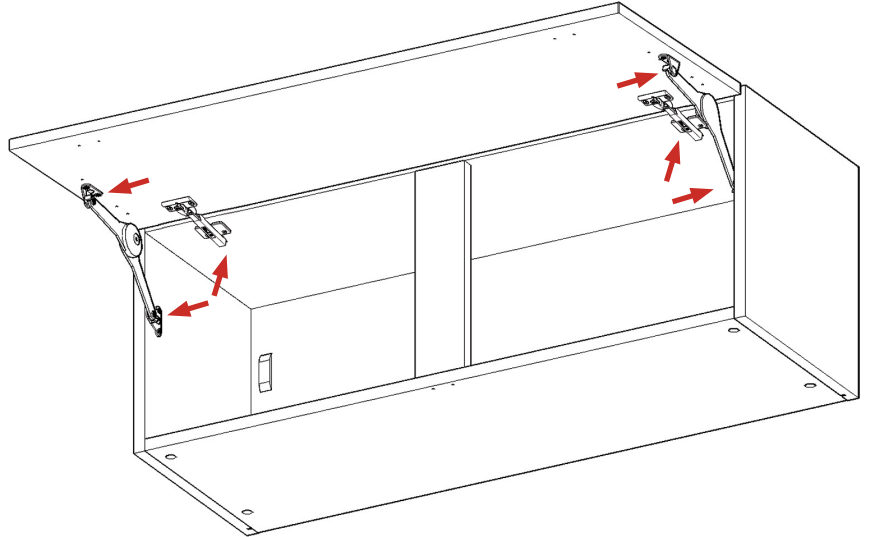
1000 Lift Assembly Guide

Step 25.

Clip hinges into hinge mounting plates on the unit.

Step 26.

Clip lift hinge mechanisms into each bracket.



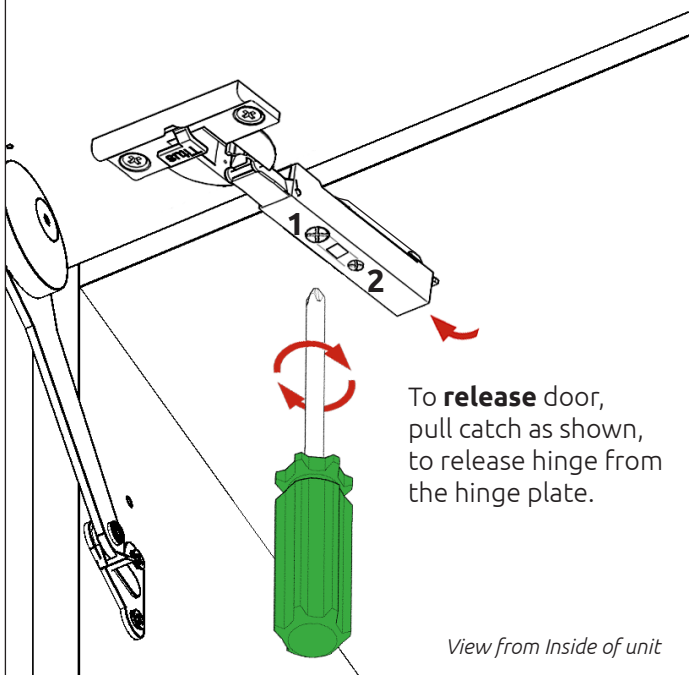
Step 27.

Use a 4mm allen key to adjust the strength of the lift hinge for the frontal weight.

The left and right hinges **MUST** be adjusted to the **SAME STRENGTH**.

FRONTAL HINGE ADJUSTMENT

To **adjust** hinge using a screw driver, tighten or loosen as required at points **1 & 2**.
Point **1** - In - Out
Point **2** - Left - Right

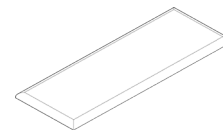
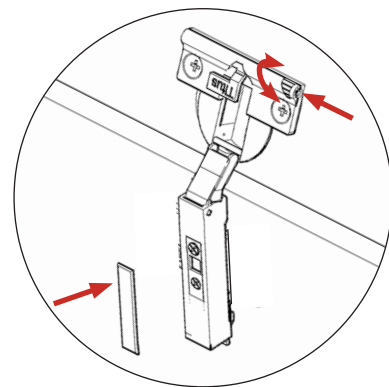


To **release** door, pull catch as shown, to release hinge from the hinge plate.

View from Inside of unit

Step 28.

Fit cover caps to hinge. Adjust Softclose to suit.



Hinge Cover Caps

The top and bottom hinges **MUST** be adjusted to the **SAME STRENGTH**.

wren
KITCHENS