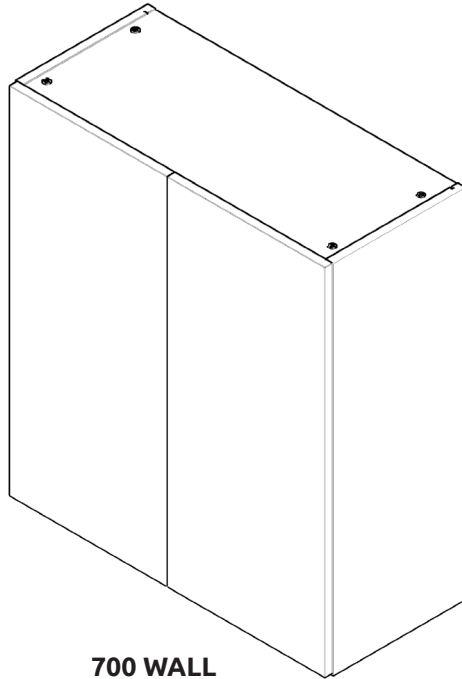


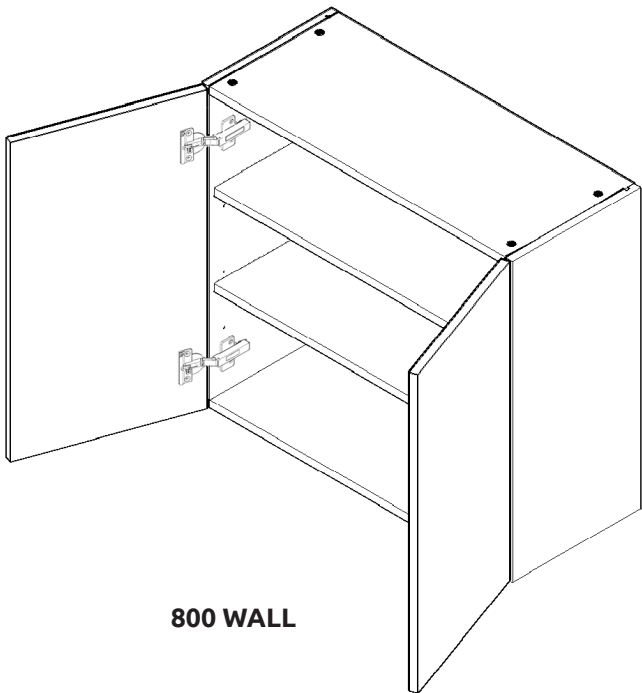
Vogue

WALL / SHALLOW BASE UNIT

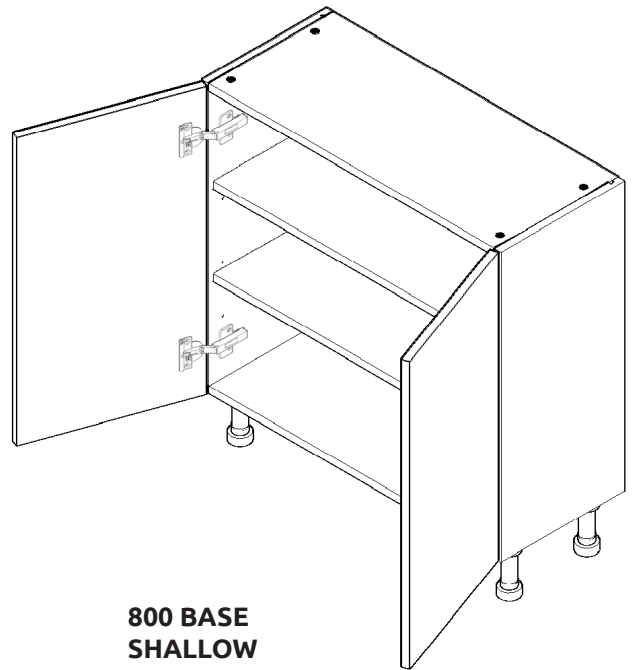
700 - 800 Assembly Guide



700 WALL



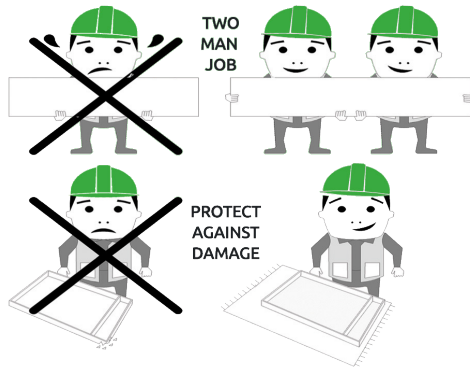
800 WALL



800 BASE
SHALLOW

WALL / SHALLOW BASE UNIT

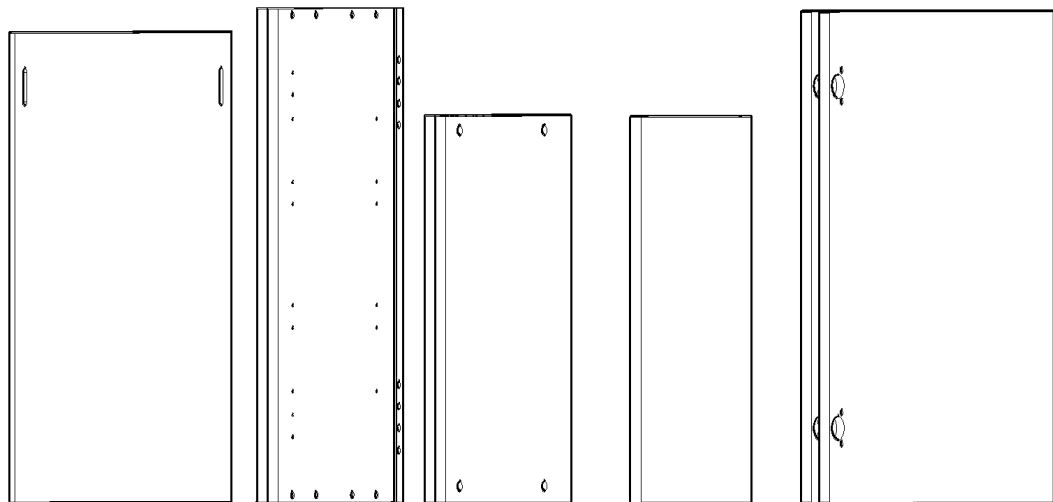
700 - 800 Assembly Guide



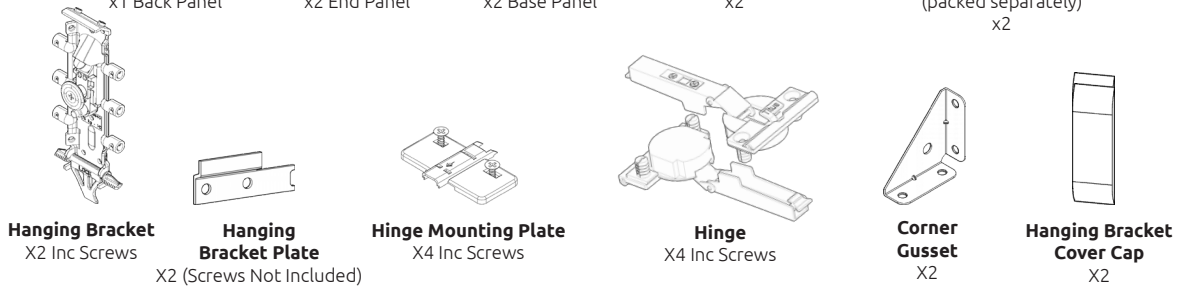
BEFORE YOU START

INSTALLATION SHOULD BE PERFORMED BY A COMPETENT PERSON ONLY.

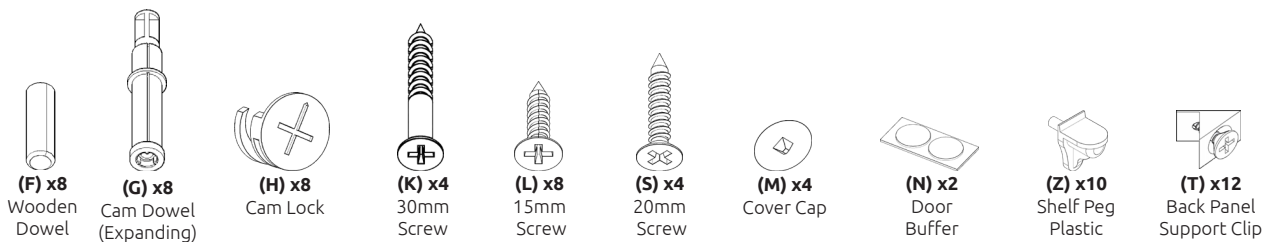
THIS PRODUCT COULD BE DANGEROUS IF INCORRECTLY INSTALLED



Panel A x1 Back Panel **Panel B** x2 End Panel **Panel C** x2 Base Panel **Shelf** x2 **Frontal** (packed separately) x2



Hanging Bracket X2 Inc Screws **Hanging Bracket Plate** X2 (Screws Not Included) **Hinge Mounting Plate** X4 Inc Screws **Hinge** X4 Inc Screws **Corner Gusset** X2 **Hanging Bracket Cover Cap** X2

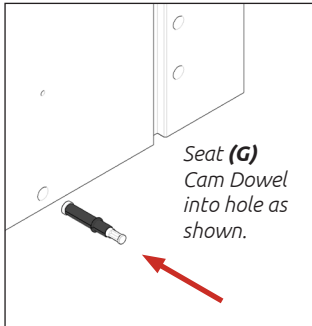


(F) x8 Wooden Dowel **(G)** x8 Cam Dowel (Expanding) **(H)** x8 Cam Lock **(K)** x4 30mm Screw **(L)** x8 15mm Screw **(S)** x4 20mm Screw **(M)** x4 Cover Cap **(N)** x2 Door Buffer **(Z)** x10 Shelf Peg Plastic **(T)** x12 Back Panel Support Clip

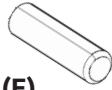
REQUIRED TOOLS



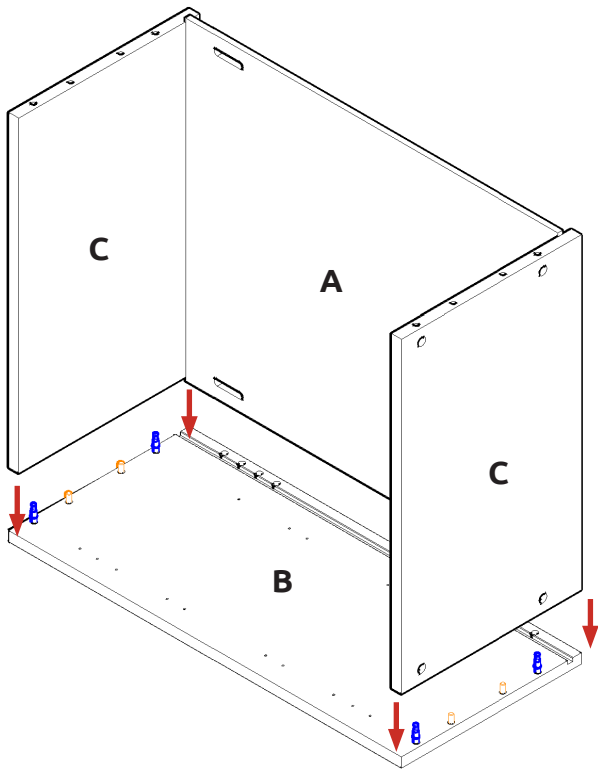
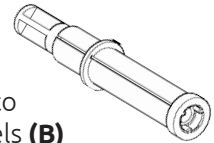
NOT to be used with CAM DOWEL & CAM LOCK



Step 1.
Seat dowel (F)
into holes in both end
panels (B) as shown.

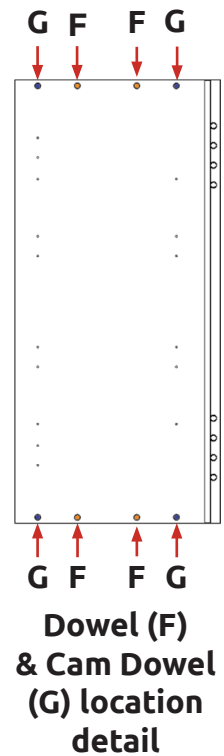


Step 2.
Seat cam dowel (G)
into holes in both end
panels (B)
as shown.



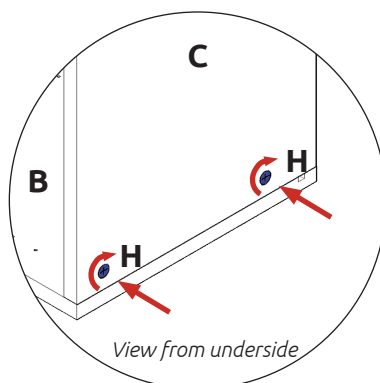
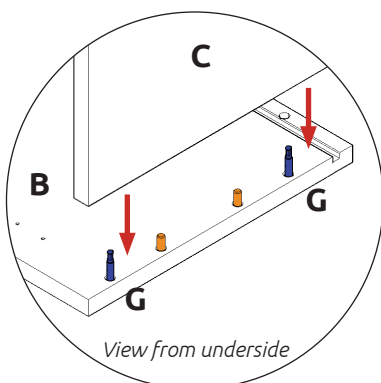
Step 3.
Attach panels x2 (C) to panel
(B), using cam dowels (G)
(in blue) and also using
dowels (F) (in orange) in
positions as shown.

Step 4.
Slide panel (A) into the groove
of panels (B) and x 2 (C).



NB. All cam locks (H) are to be positioned facing the outside of the unit carcass, for ease of tightening.

Do **not** use power tools with
Cam Dowel (G) or cam lock (H)



Step 5.
Insert Cam Lock (H).
Hand tighten all Cam Locks
(H), this will expand the
Cam Dowels (G) and tighten
the unit together.



WALL / SHALLOW BASE UNIT

700 - 800 Assembly Guide

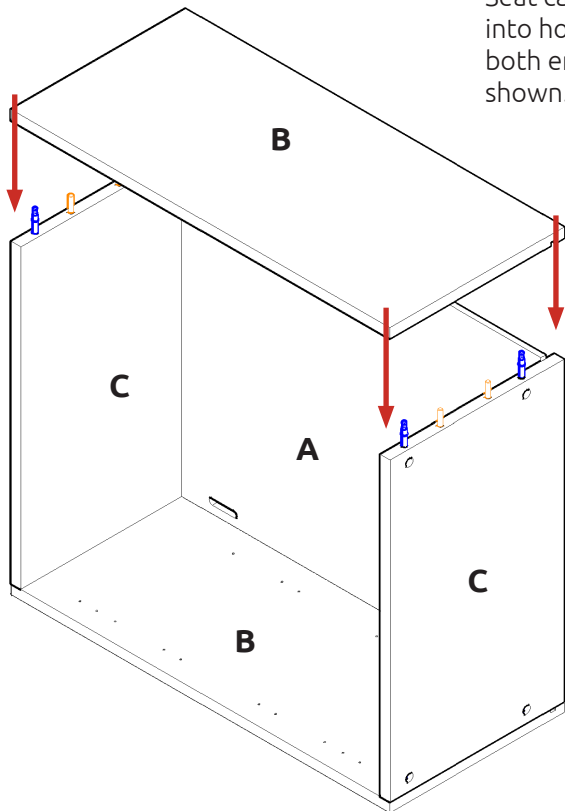
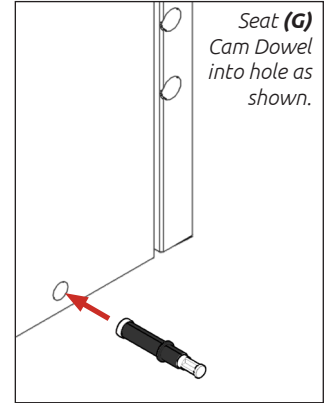
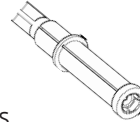
Step 6.

Seat dowel (F) into holes in both panels (B) as shown.



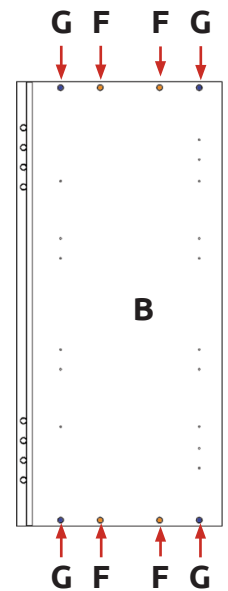
Step 7.

Seat cam dowel (G) into holes in both end panels (B) as shown.



Step 8.

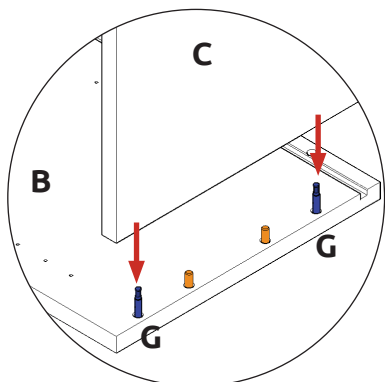
Attach panel (B) to panels (C) using cam dowels (G) (in blue) and also using dowels (F) (in orange) in positions as shown. Ensure panel (A) is seated into the groove of panel (B).



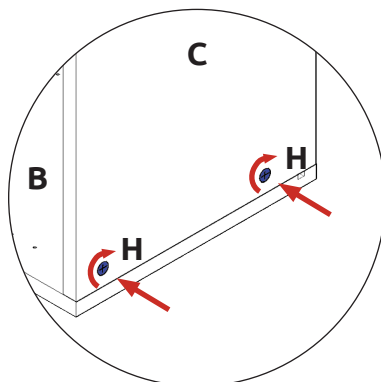
Dowel (F) & Cam Dowel (G) location detail



NB. All cam locks (H) are to be positioned facing the outside of the unit carcase, for ease of tightening.



View from underside



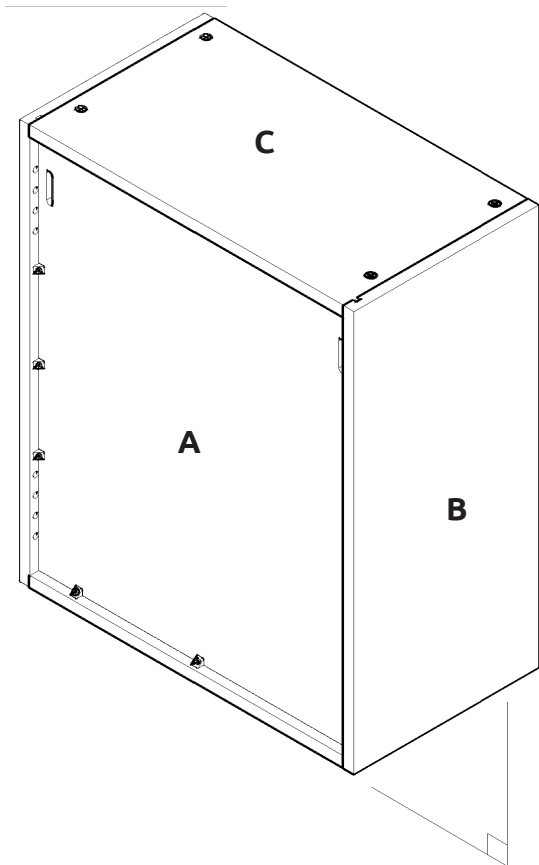
View from underside

Do not use power tools with cam dowel (G) or cam lock (H)



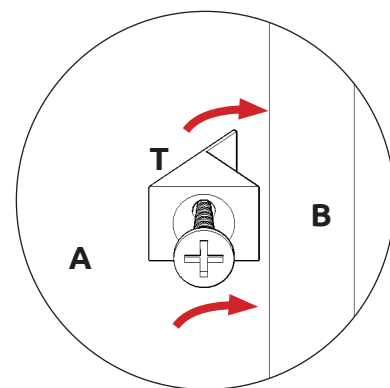
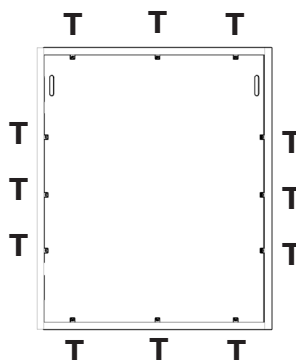
Step 9.

Insert cam lock (H). Hand tighten all cam locks (H), this will expand the cam dowels (G) and tighten the unit together.



Step 10.

Ensure unit is square.



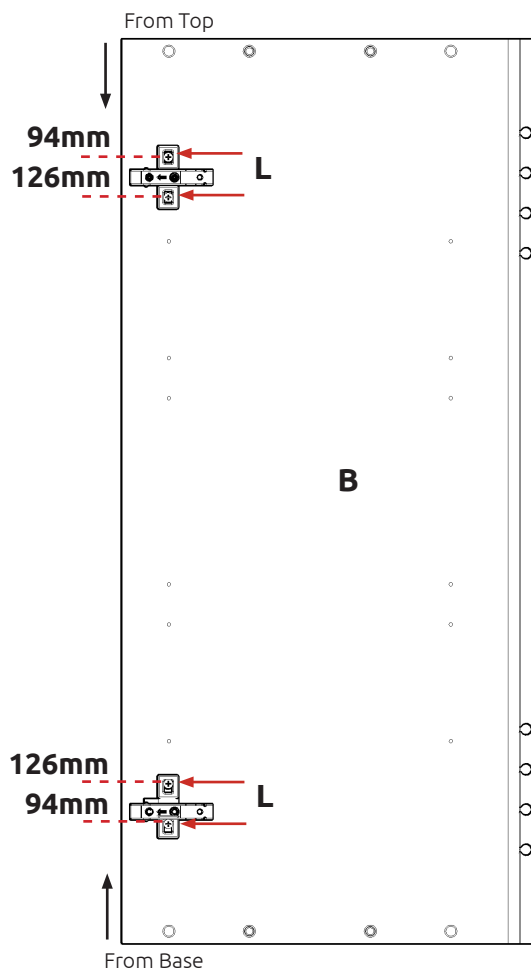
Step 11.

Slide the back panel clips (T) into the groove of both panels (B) & (C)s. The back panel clips (T) should be evenly spaced as shown and positioned to allow the hanging brackets and corner gussets to be fitted. Once in place, tighten screws.

Step 12.

Attach hinge mounting plates onto end panels (B) in locations shown using screws already in the mounting plate.

Hinge side or sides to be mounted in accordance to Customer Specific Kitchen Plan.



WALL / SHALLOW BASE UNIT

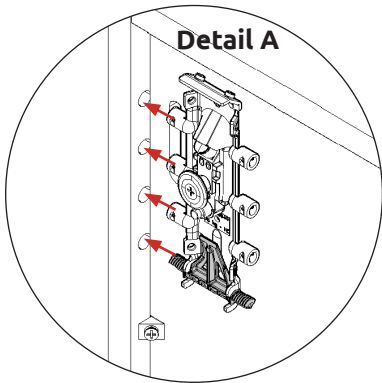
700 - 800 Assembly Guide

WALL UNITS ONLY for Shallow Base see pages 7 & 8



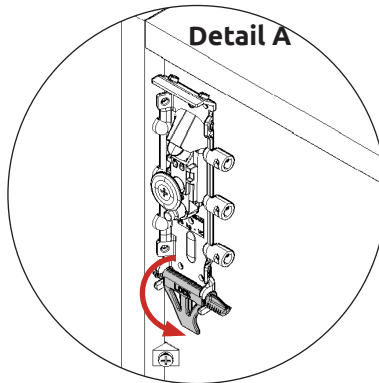
Care to be taken. Hanging procedure is necessary for a safe installation.

Step 13. Hanging brackets steps a,b & c to be carried out on both sides as shown



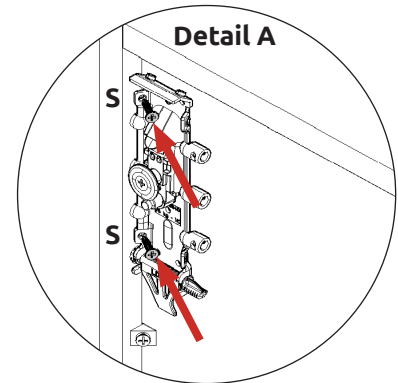
Step a

Insert hanging bracket into pre-drilled holes



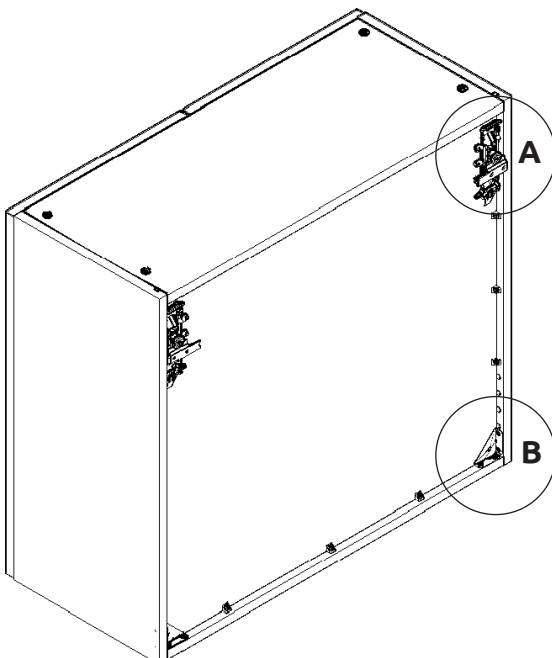
Step b

Rotate locking lever 180 degrees



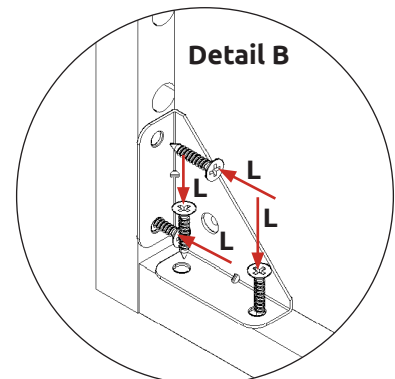
Step c

Secure with provided 2 x 20mm screws (S) per bracket

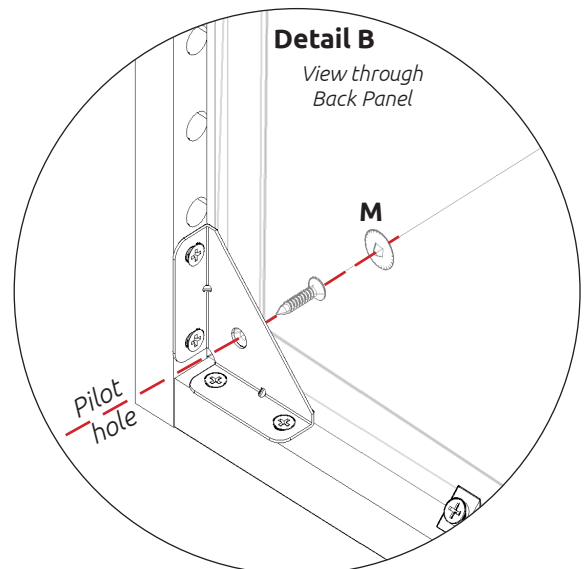


Step 14.

Secure corner gussets to the bottom left and right hand side of the wall unit using 4 x 15mm screws (L) per plate.



Detail B



Detail B

View through Back Panel

Step 15.

Drill a small pilot hole through the centre of the corner gussets, through the back of the unit. Use this hole at the end of the process to screw through and into the wall. Cover the screw heads using the cover caps (M) provided.

Screws for fixing to walls are not provided as these vary depending on your wall material and construction. Ensure appropriate fixings for wall constructions are used.

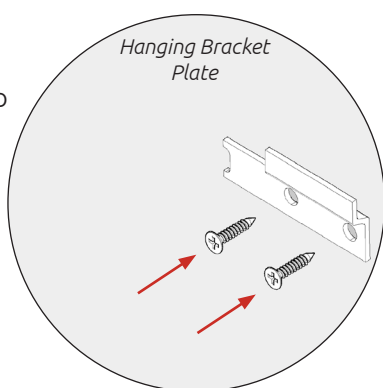
WALL UNITS ONLY



Screws for attaching to walls are not provided as these vary depending on materials, thickness and construction. Ensure appropriate fixings for wall construction are used.

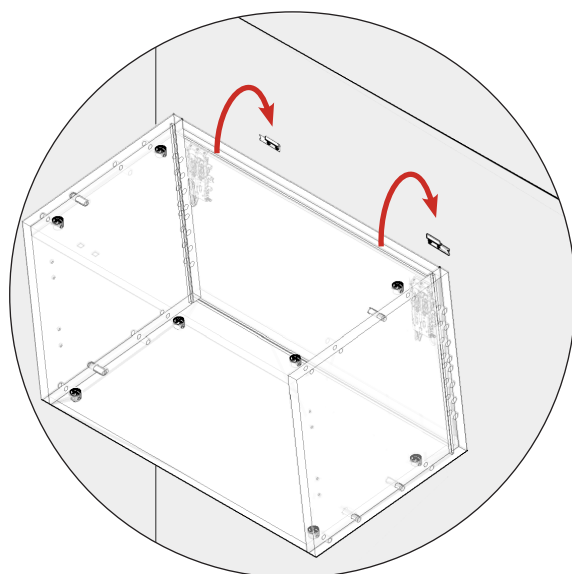
Step 16.

Measure appropriately and attach the 2 x hanging bracket plates onto the wall screwing through the provided holes into your wall.



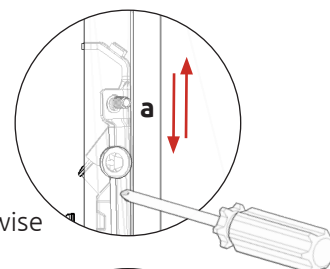
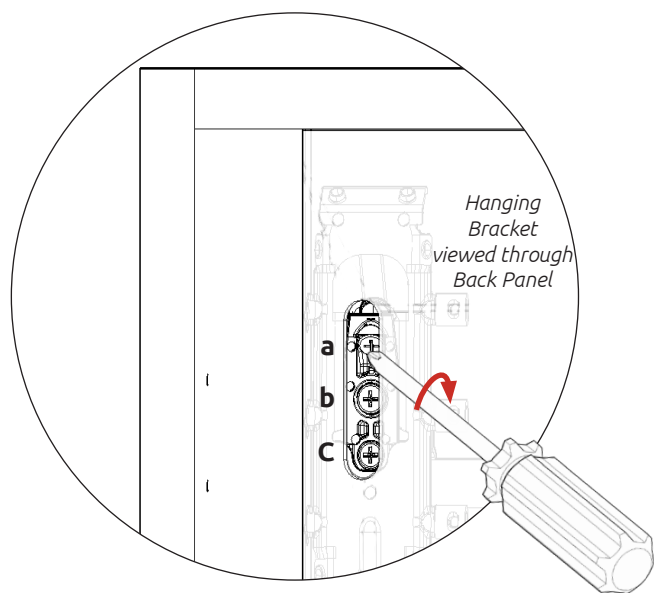
Step 17.

Hang the unit using the brackets to hook onto the plate as shown



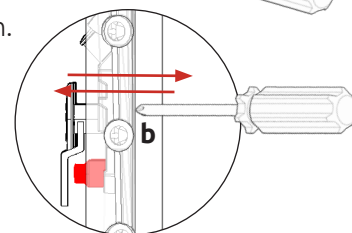
Step 18.

Using points a, b & c adjust the unit to suit.



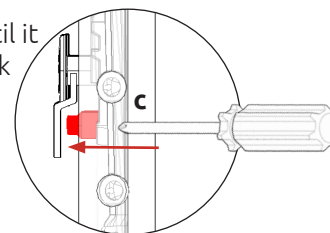
Step a.

Rotate the screw clockwise to move the unit up. Anti-clockwise for down.



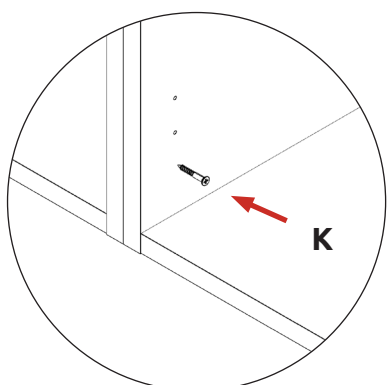
Step b.

Adjust the depth using centre screw.



Step c.

Screw the red screw until it touches the plate to lock in position.



Step 19.

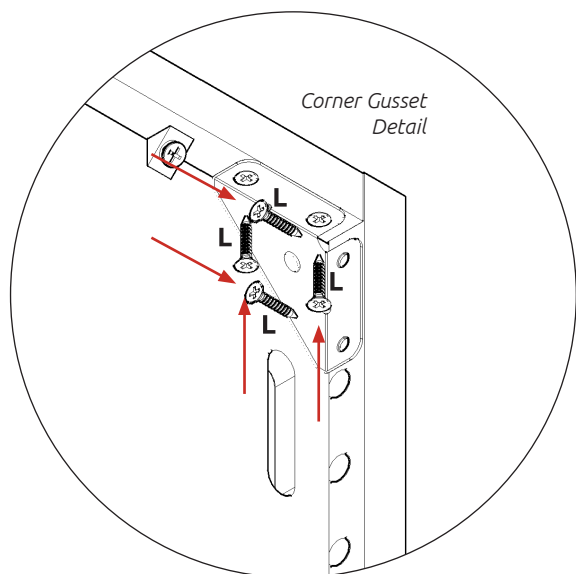
Screw into any side units using the provided 2x 30mm screws **(K)** to secure the unit. Screw just to the rear of the hinge plate then place a cover cap on the head to conceal it.

WALL / SHALLOW BASE UNIT

700 - 800 Assembly Guide

SHALLOW BASE UNITS ONLY

for WALL see pages 5 & 6



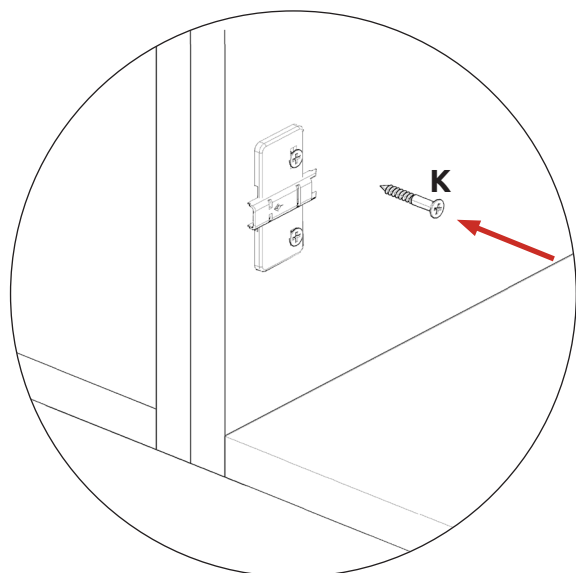
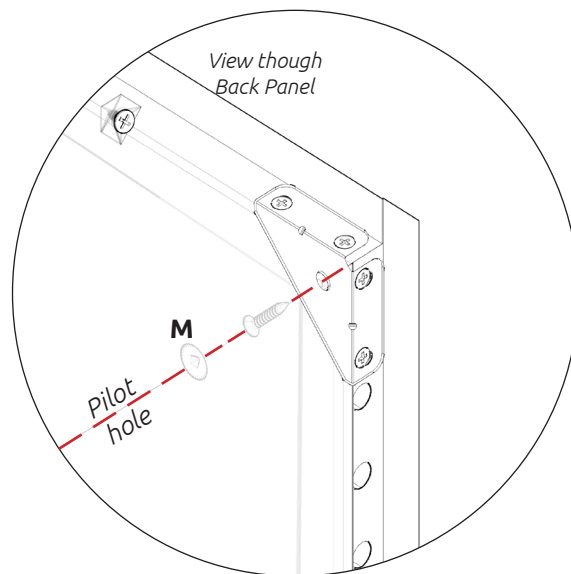
Step 20.

Secure corner gussets to the top left and right hand side of the wall unit using 4 x 15mm screws (**L**) per plate.

Step 21.

Drill a small pilot hole through the centre of the corner gussets, through the back of the unit. Use this hole at the end of the process to screw through and into the wall. Cover the screw heads using the cover caps (**M**) provided.

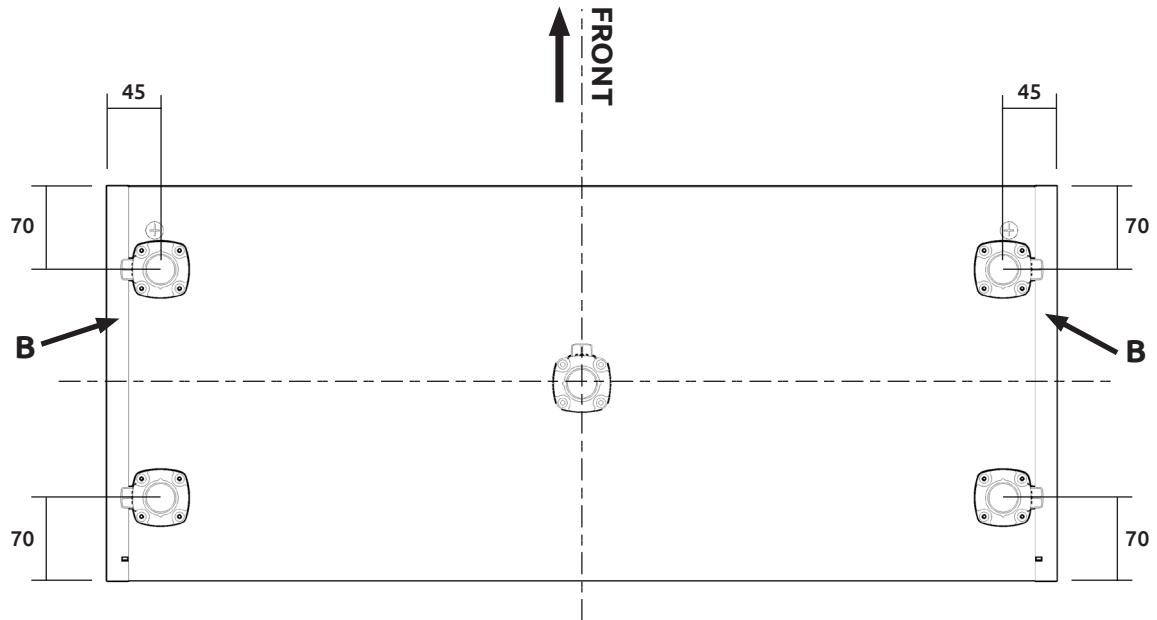
Screws for fixing to walls are not provided as these vary depending on your wall material and construction. Ensure appropriate fixings for wall constructions are used.



Step 22.

Screw into any side units using the provided 2x 30mm screws (**K**) to secure the unit. Screw just to the rear of the hinge plate then place a cover cap on the head to conceal it.

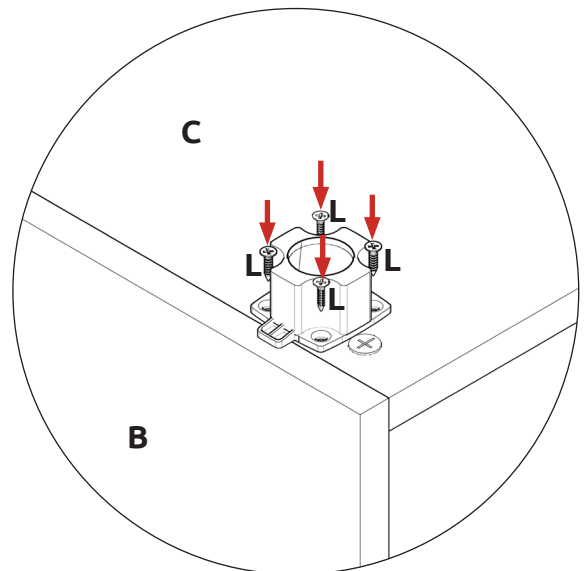
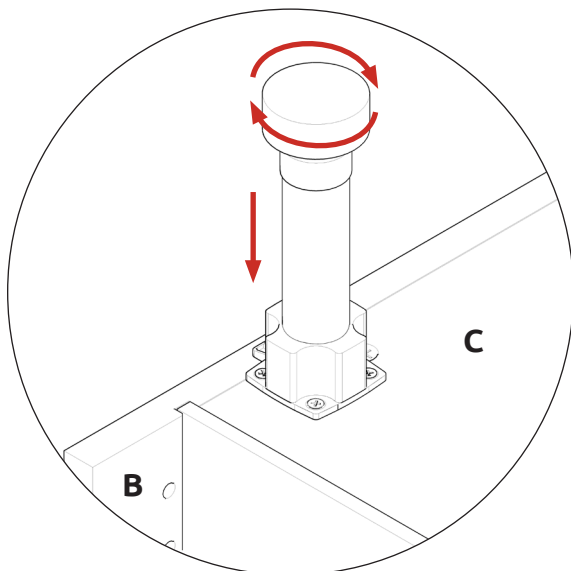
SHALLOW BASE UNITS ONLY



Step 23.

Secure each of the legs into place with 4 x 15mm screws (**L**) per leg.

Ensure legs are rotated as shown so that part of it is supporting the end panels (**B**).



Step 24.

Push leg firmly down into leg base.
Adjust legs to 155mm before turning unit upright. Once in situ level accordingly.

WALL / SHALLOW BASE UNIT

700 - 800 Assembly Guide



Step 25.

Insert hinge in top & bottom holes as shown below.

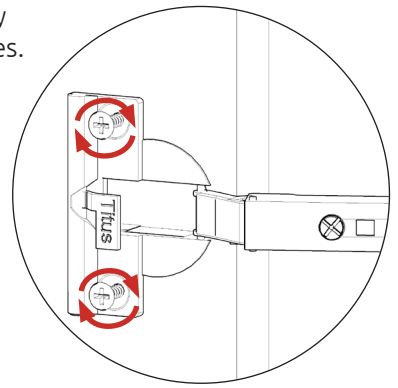
Step 26.

Secure hinges by tightening 2 x screws with hinge dowels attached. These are already positioned within the hinges.

Step 27.

Attach the door to unit where required.

To attach door, clip hinge onto hinge plate and click to secure.



Step 28.

Adjust hinge to suit. As shown below.

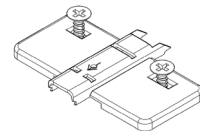
FRONTAL HINGE ADJUSTMENT

To **Move** the hinge up/down, loosen screws A + B, Manoeuvre the door, then re-tighten the screws

To **adjust** hinge using a screw driver, tighten or loosen as required at points **1 & 2**.
Point **1** - In - Out
Point **2** - Left - Right

To **release** door, pull catch as shown, to release hinge from the hinge plate.

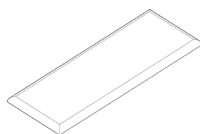
View from inside of unit



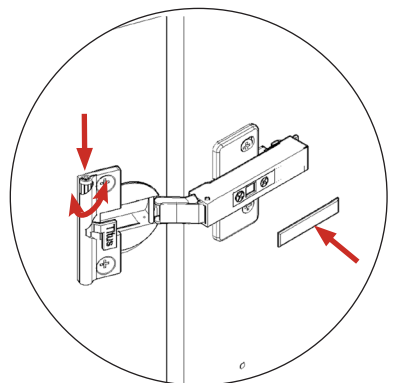
Hinge Plates

Step 29.

Fit cover caps to hinge. Adjust Soft close to suit.



Hinge Cover Caps



The top and bottom hinges **MUST** be adjusted to the **SAME STRENGTH**.

wren
KITCHENS