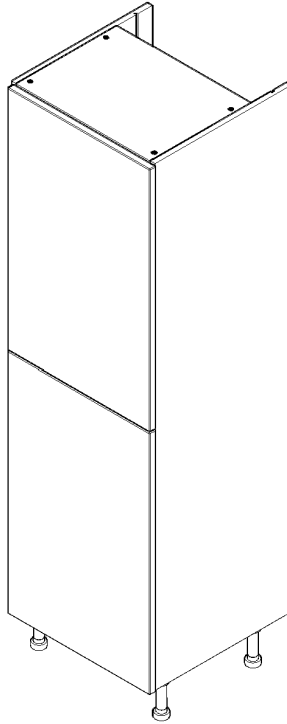


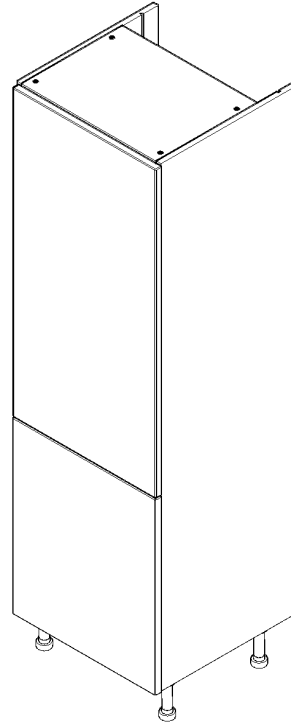
Vogue

TOWER UNIT

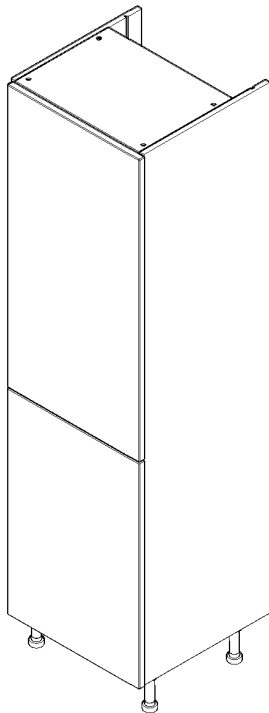
Boiler Housing Assembly Guide



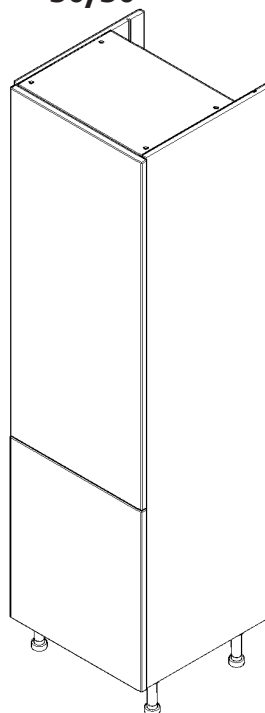
2070 x 600
50/50



2070 x 600
70/30



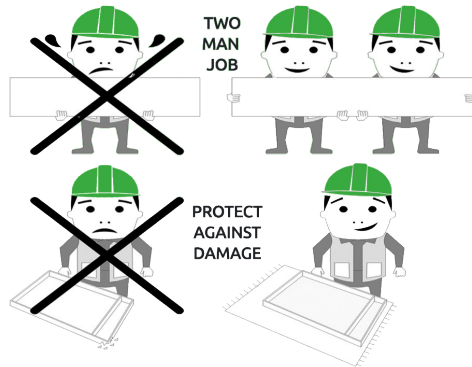
2250 x 600 Tall
50/50



2250 x 600 Tall
70/30

TOWER UNIT

Boiler Housing Assembly Guide



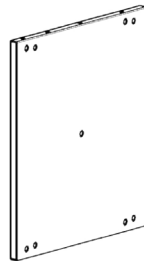
BEFORE YOU START

INSTALLATION SHOULD BE PERFORMED BY A COMPETENT PERSON ONLY.

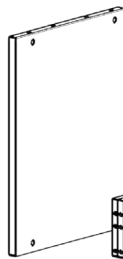
THIS PRODUCT COULD BE DANGEROUS IF INCORRECTLY INSTALLED



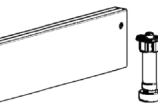
Panel B
x2 End Panel



Panel C Btm
x1 Base Panel



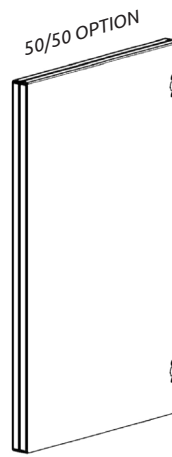
Panel C Top
x1 Top Panel



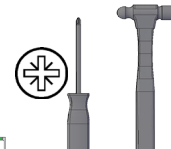
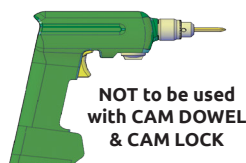
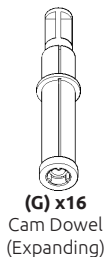
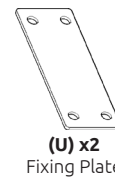
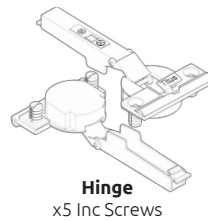
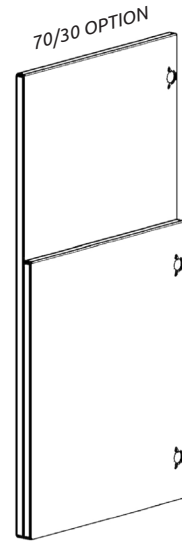
Panel E
x2 Rail



Legs
x5

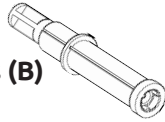


Frontal (packed separately)
x2



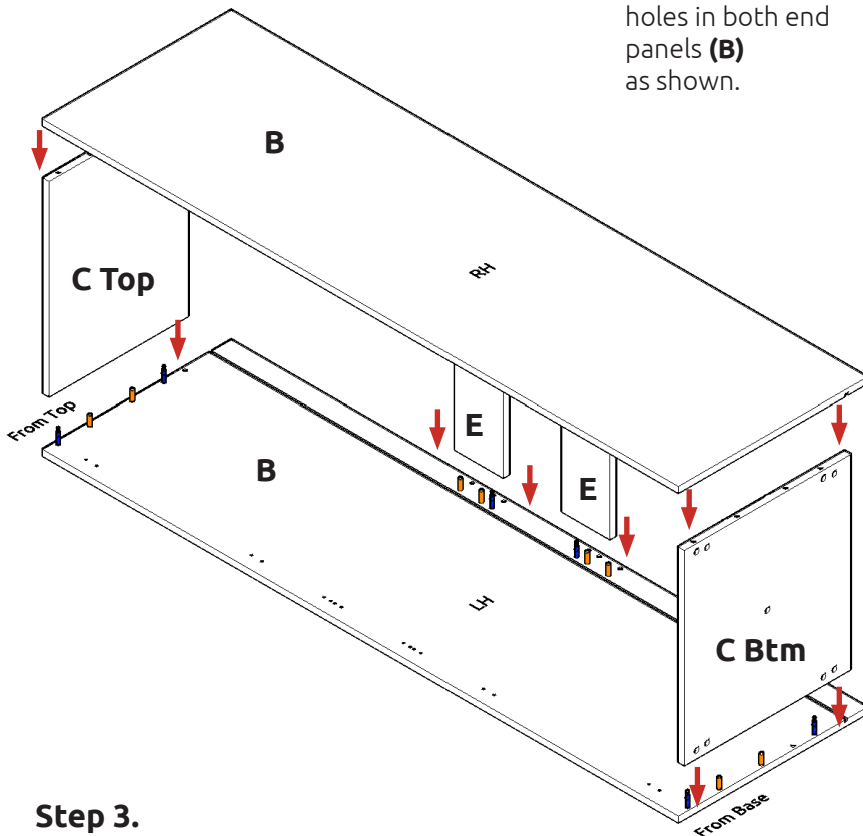
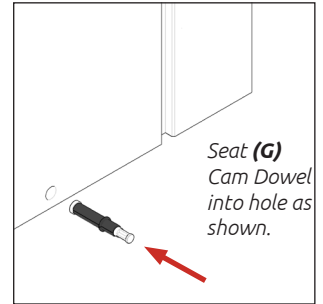
Step 1.

Seat cam dowel (G) into holes in both end panels (B) as shown.



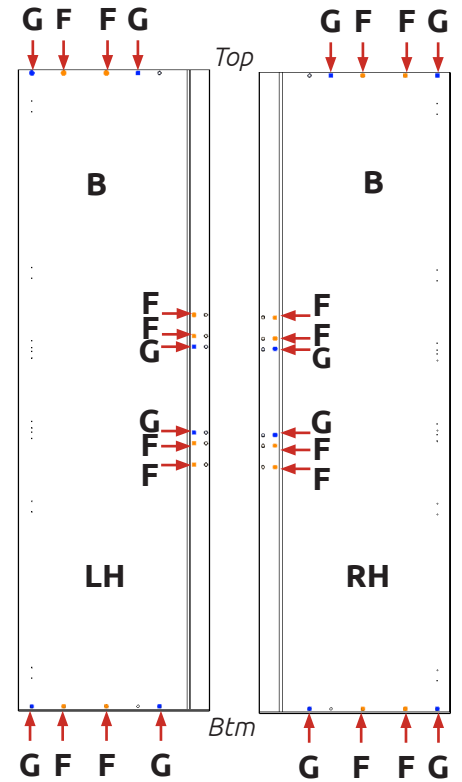
Step 2.

Seat dowel (F) into holes in both end panels (B) as shown.



Step 3.

Attach panels (C Top, Btm) and (E) to panels (B), using cam dowel (G) (in blue) and also using Dowels (F) (in orange) in positions as shown.

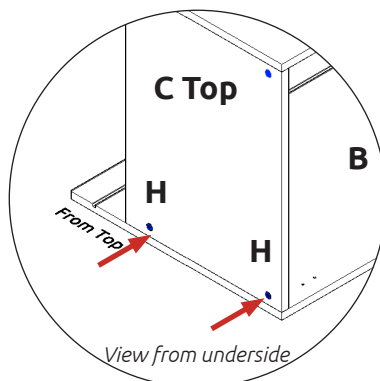
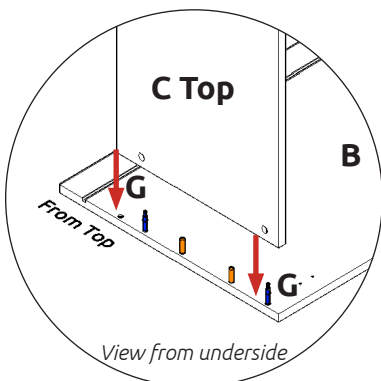


Dowel (F) & Cam Dowel (G) location detail



NB. All Cam Lock (H) are to be positioned facing the outside of the unit carcase, for ease of tightening.

Do **not** use power tools with cam dowel (G) or cam lock (H)



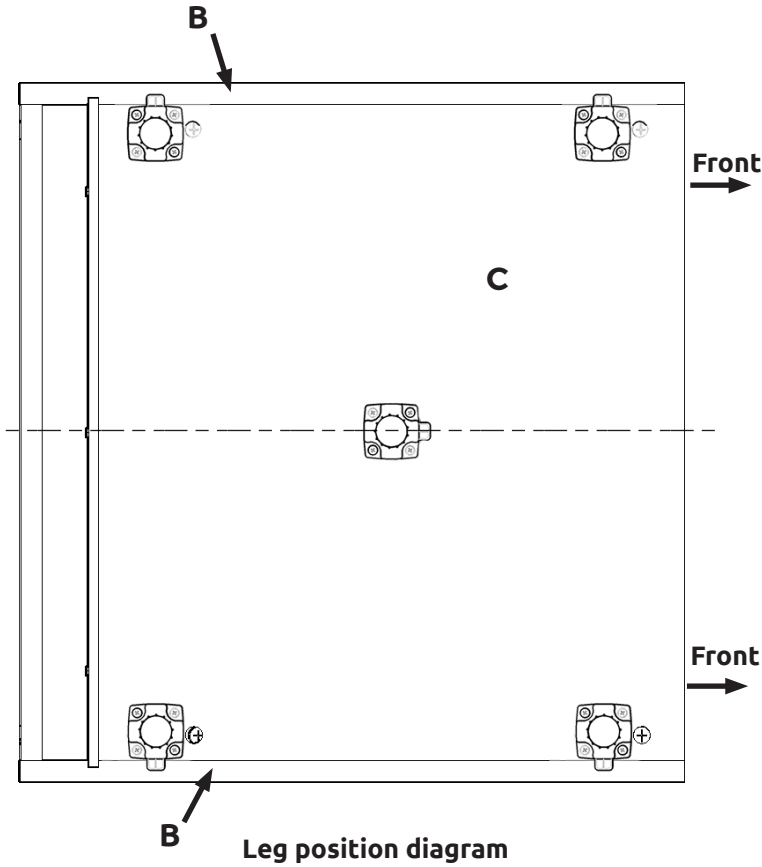
Step 4.

Insert cam lock (H). Do NOT tighten until Step 6.



TOWER UNIT

Boiler Housing Assembly Guide



Step 7.

Push leg firmly down into leg base.
Adjust legs to 155mm before turning unit upright.
Once in situ level accordingly.



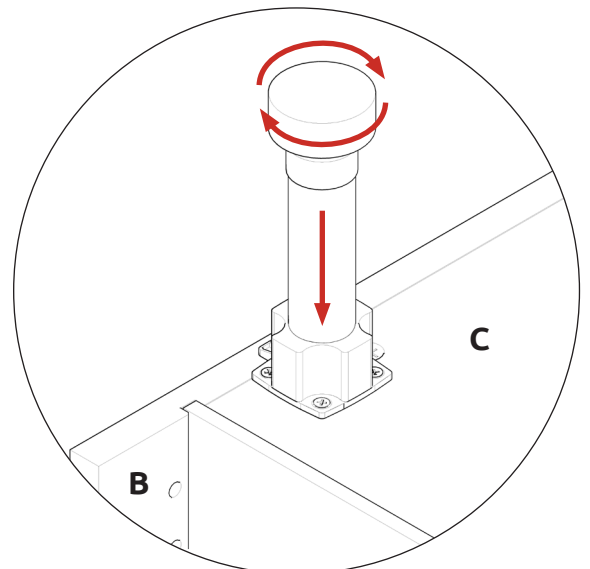
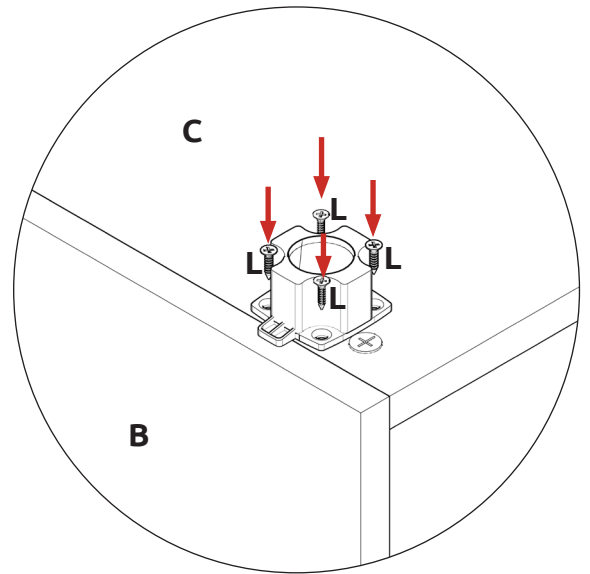
It is **important** to lift unit onto its legs. Do not tilt as depicted in image.

Step 5.

Position legs as shown.
Ensure legs are rotated to also provide support to the end panels (B).

Step 6.

Secure each of the legs into place with 4 x 15mm screws (L) per leg.

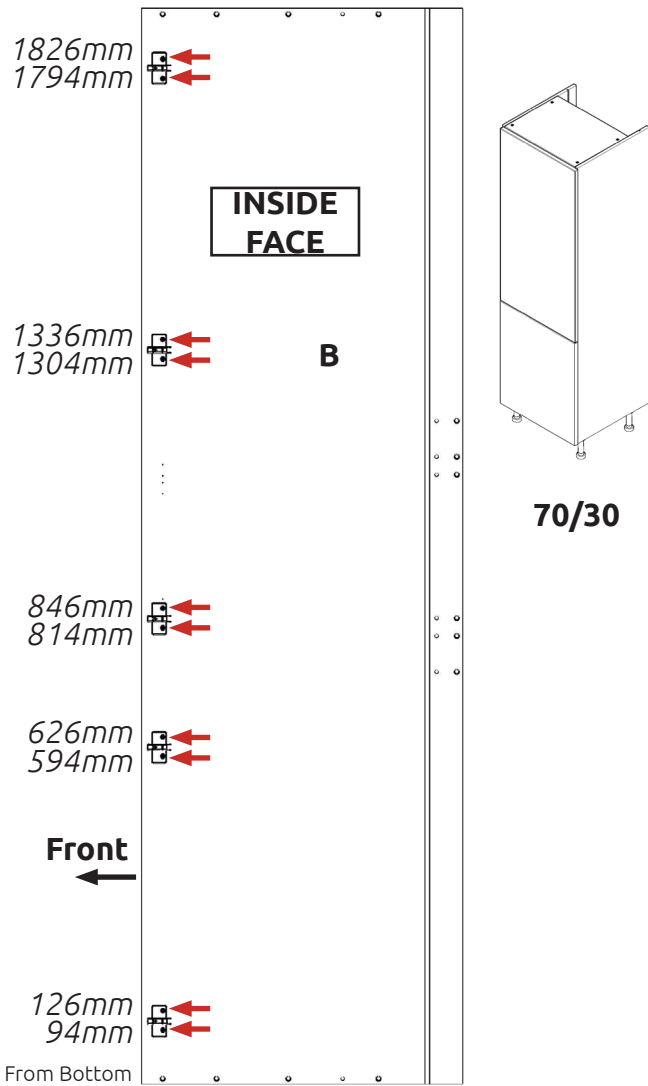


Step 8.

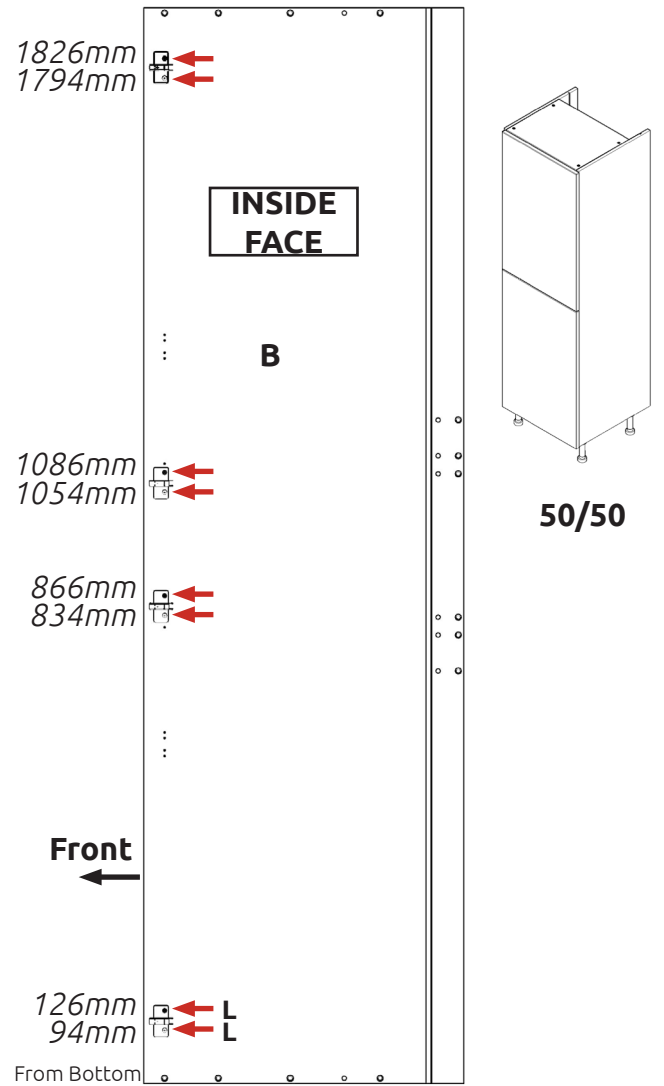
Attach hinge plates onto end panels (**B**) to suit as shown using screws already located in the hinge plates.

Hinge side or sides to be mounted in accordance to Customer Specific Kitchen Plan.

**70/30
HINGE
POSITION**



**50/50
HINGE
POSITION**



TOWER UNIT

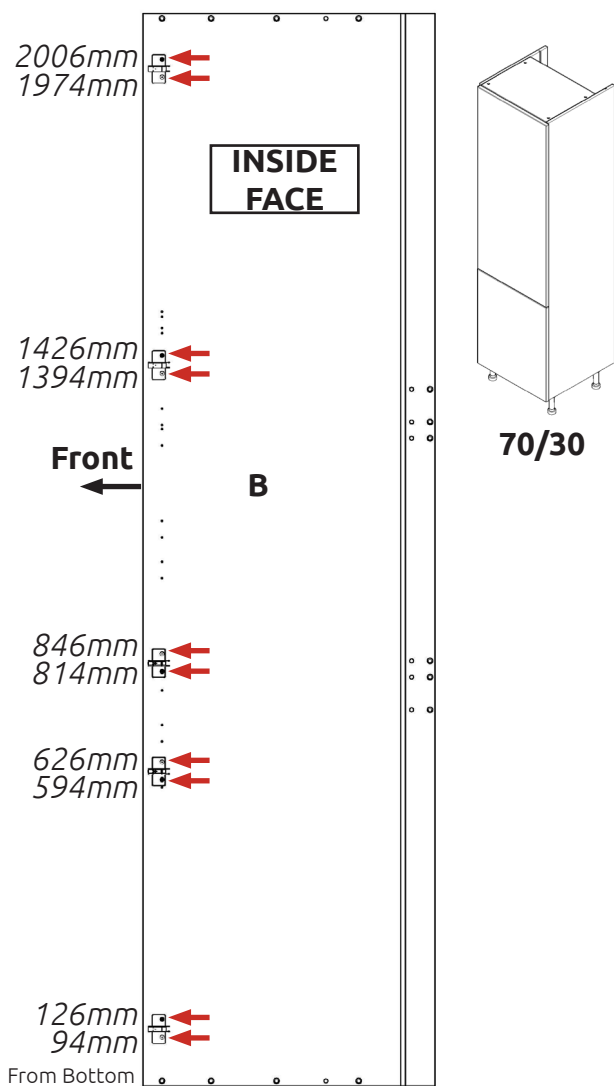
Boiler Housing Assembly Guide

Step 9.

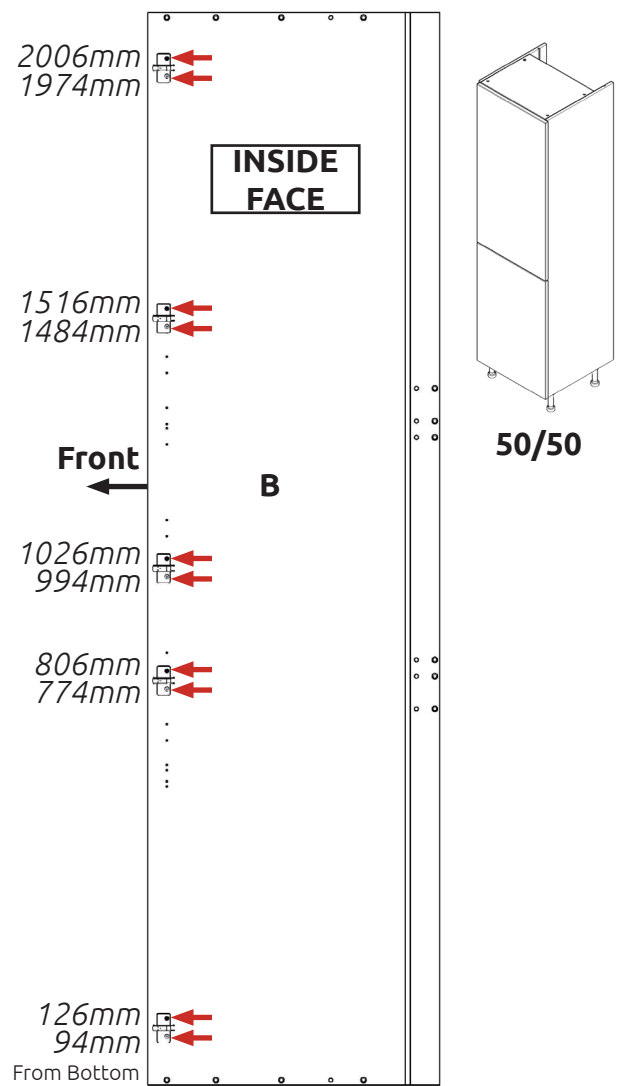
Attach hinge plates onto end panels (**B**) to suit as shown using screws already located in the hinge plates.

Hinge side or sides to be mounted in accordance to Customer Specific Kitchen Plan.

**70/30
HINGE
POSITION**



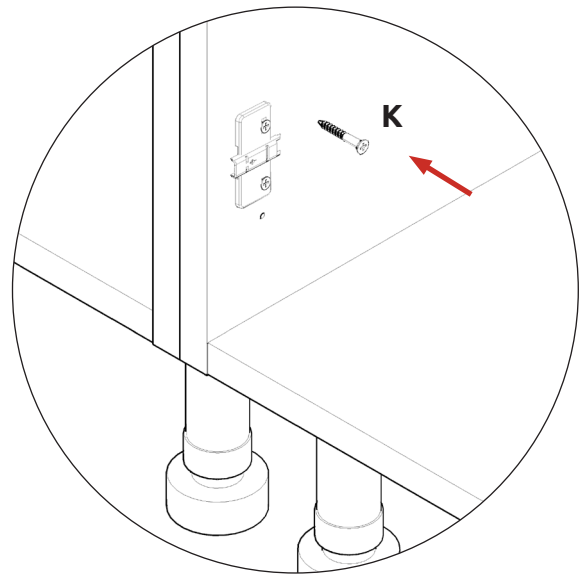
**50/50
HINGE
POSITION**



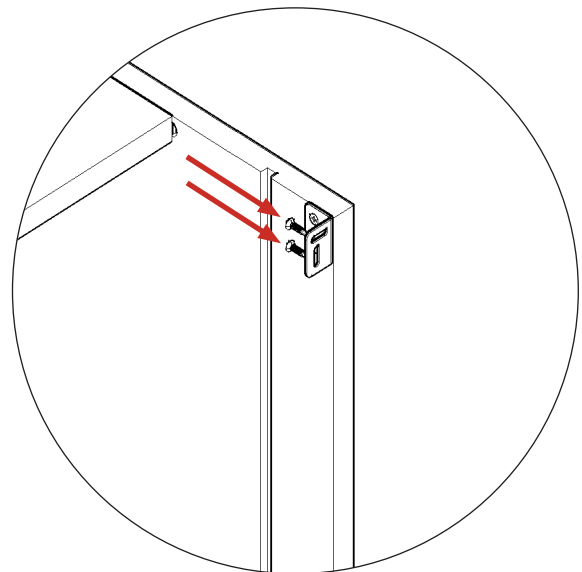
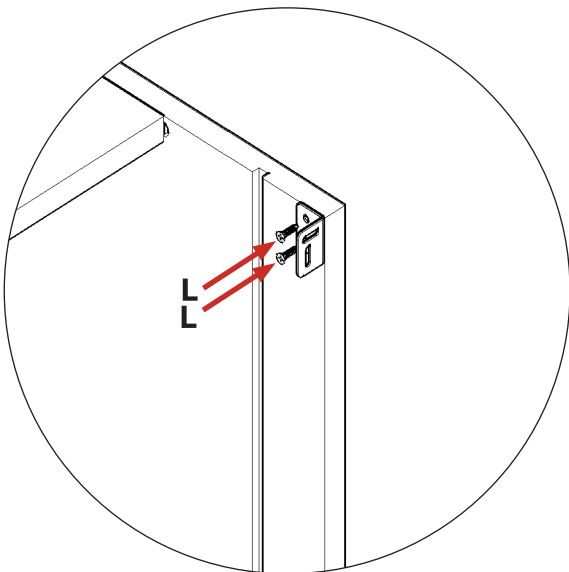


Screws for attaching to walls are not provided as these vary depending on materials, thickness and construction. Ensure appropriate fixings for wall construction are used.

Screw into any side units using the 30mm screws (**K**) provided to secure to unit. Screw just to the rear of the hinge mounting plates, at the top and bottom of both sides of the unit, place cover caps (**M**) on the heads to conceal them.



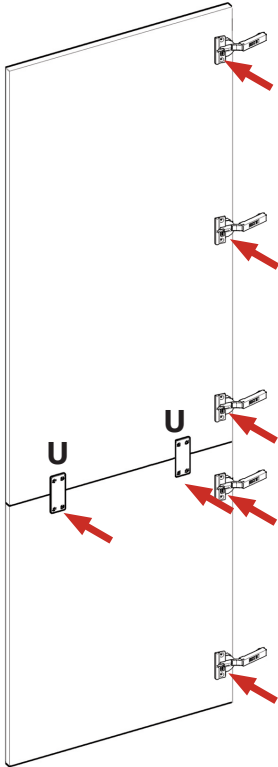
Secure tower to the wall using L brackets LGE. Use 2 x 15mm screws (**L**) to secure each of the L bracket LGE to the unit at either side. Then screw through into the wall as shown.



TOWER UNIT

Boiler Housing Assembly Guide

See Customer Specific Kitchen Plan For Tower Frontals

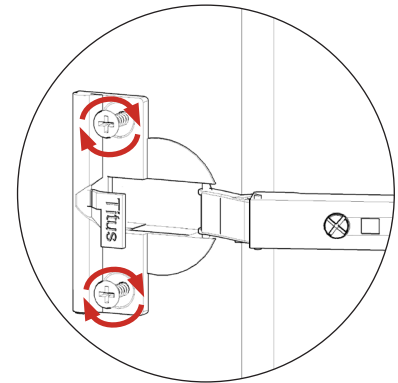


Step 10.

Insert hinge where required in holes as shown.

Step 11.

Secure hinges by tightening 2 x screws with hinge dowels attached. These are already positioned within the hinges.



Step 12.

Align doors to join together using 2 x fixing plates (U) to the back of both frontals ensure a 4mm gap is maintained between each frontal once fixed together. Screw in place using 4 x 15mm screws (L) per fixing plate.

Step 13.

Adjust hinge to suit. As shown below.

FRONTAL HINGE ADJUSTMENT

To **Move** the hinge up/down, loosen screws A + B, Manoeuvre the door, then re-tighten the screws

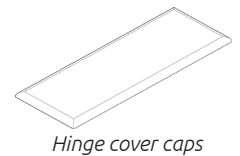
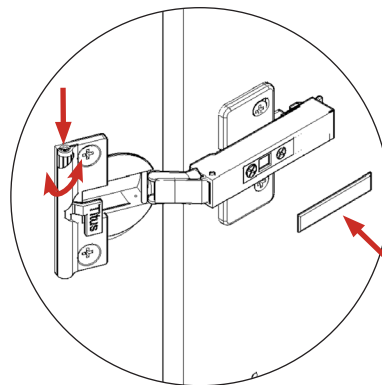
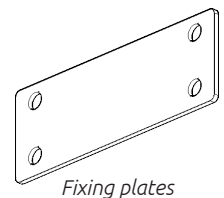
To **Release** door Pull catch as shown, to release hinge from the hinge plate.

View from Inside of unit

To **adjust** hinge using a screw driver, tighten or loosen as required at points **1 & 2**.
 Point **1** - In - Out
 Point **2** - Left - Right

Step 14.

Fit cover caps to hinge. Adjust Soft close to suit.



The top and bottom hinges **MUST** be adjusted to the **SAME STRENGTH.**

wren
KITCHENS