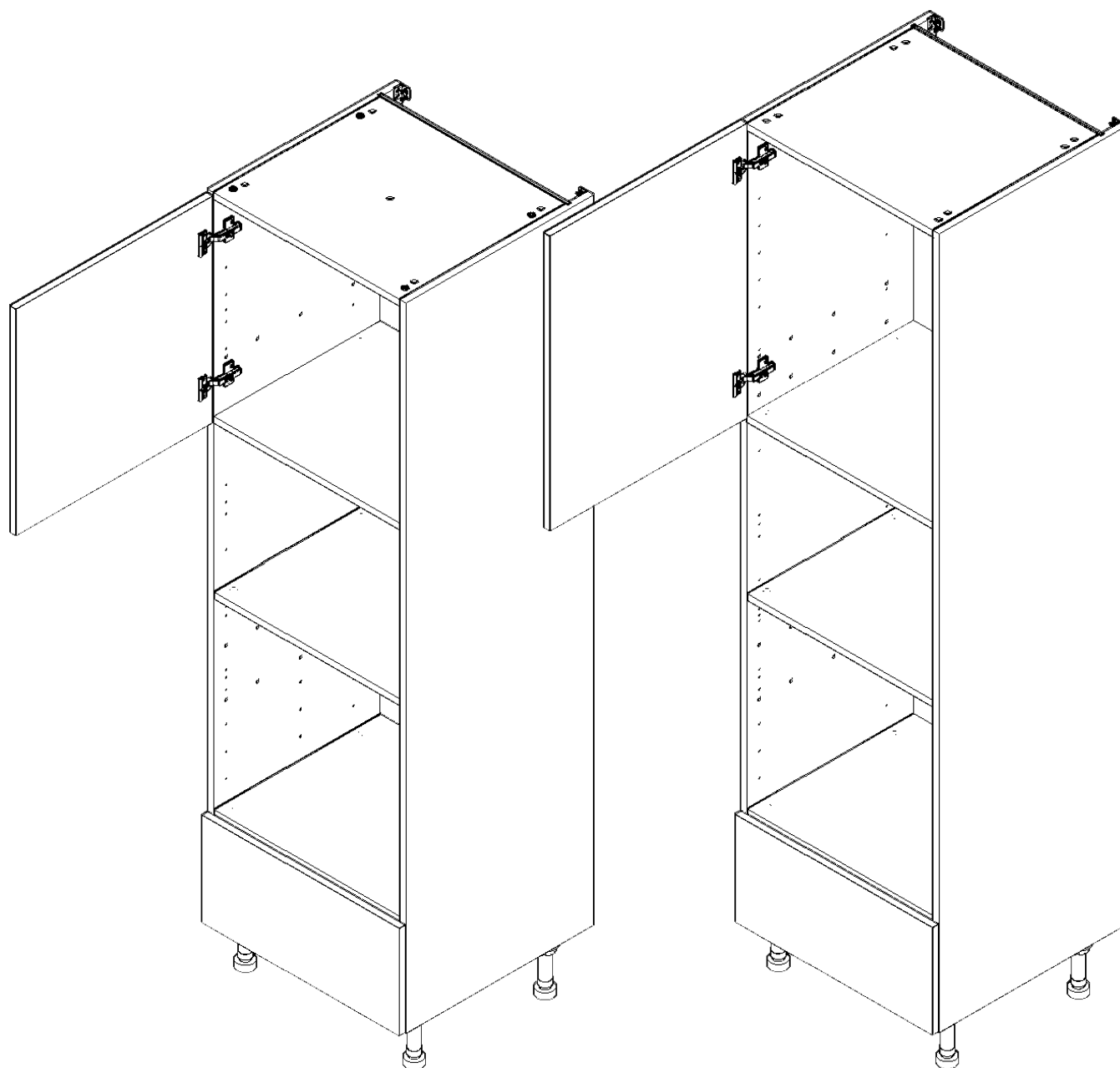


Vogue

# TOWER UNIT

600 Double Appliances Inc Dr + Drw Assembly Guide

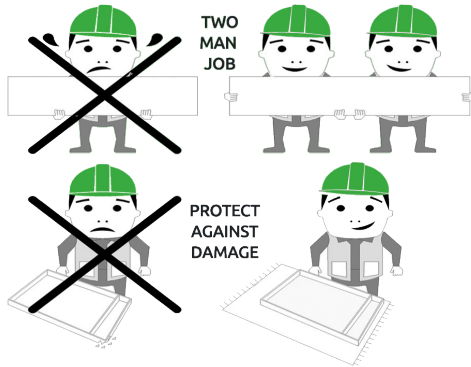


2070 x 600  
600 + 450 Appliance

2250 x 600 Tall  
600 + 450 Appliance

# TOWER UNIT

## 600 Double Appliances Inc Dr + Drw Assembly Guide

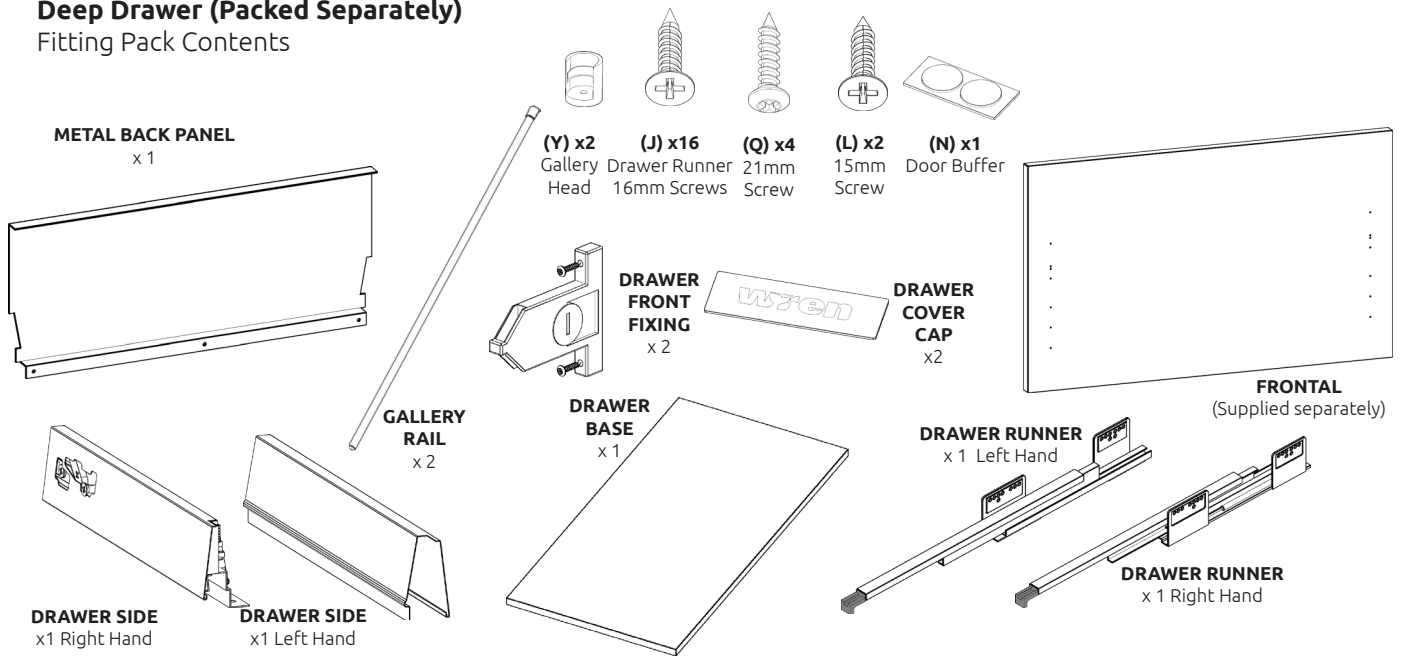


**BEFORE YOU START**

INSTALLATION SHOULD BE PERFORMED BY A COMPETENT PERSON ONLY.

THIS PRODUCT COULD BE DANGEROUS IF INCORRECTLY INSTALLED

### Deep Drawer (Packed Separately) Fitting Pack Contents

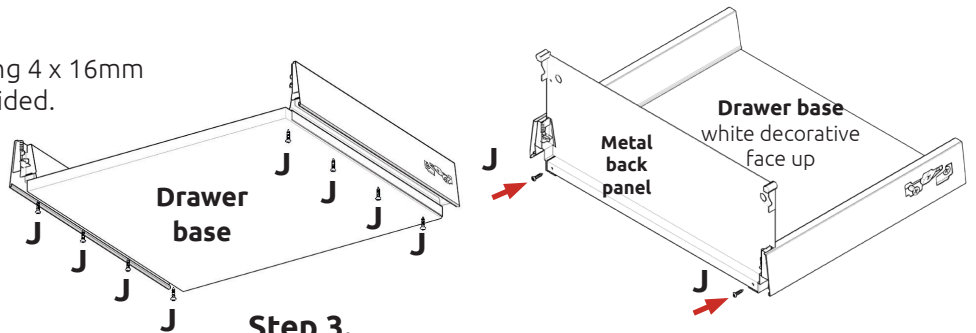


**REQUIRED TOOLS**



### Step 1.

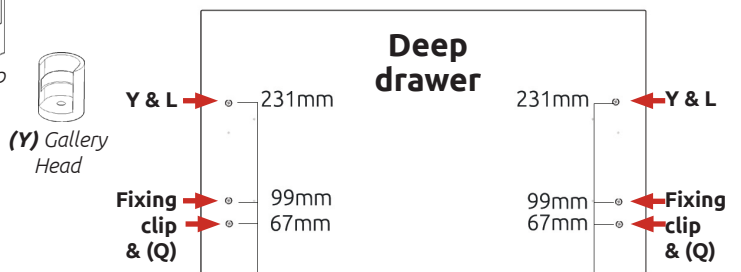
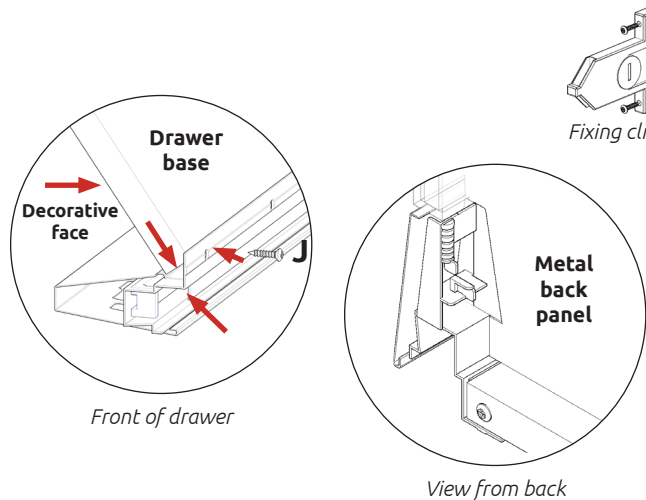
Secure drawer base to drawer side using 4 x 16mm drawer runner screws (**J**) in holes provided. Seat the edge of drawer base tight into corner of casing, as shown. The decorative face of drawer base to be positioned as shown.



Repeat step 1 so both drawer sides are attached to drawer base.

### Step 3.

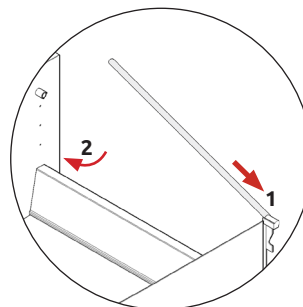
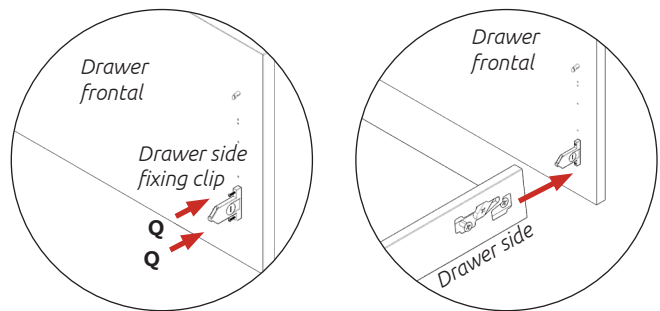
Screw back panel in position using 2 x 16mm screws (**J**) to drawer base in holes provided.



### Step 4.

Frontal Attachment

Secure **drawer side fixing clips** using 2 x 21mm screws (**Q**) & **gallery head (Y)** using 1 x 15mm screws (**L**) in pilot holes provided as shown.



### Step 6.

Fit Gallery Rail into the top corners of metal back panel. Locate front end of the gallery rail into the opening of the gallery head, which is secured to the frontal as shown

### Step 7.

Fit drawer cover caps over drawer side adjustment.



### Drawer Frontal Adjustment

**Step 5.**  
Draw Adjustment  
Screw point **1** as shown to adjust drawer frontal right & left.

Screw point **2a** as shown to adjust drawer frontal up & down.

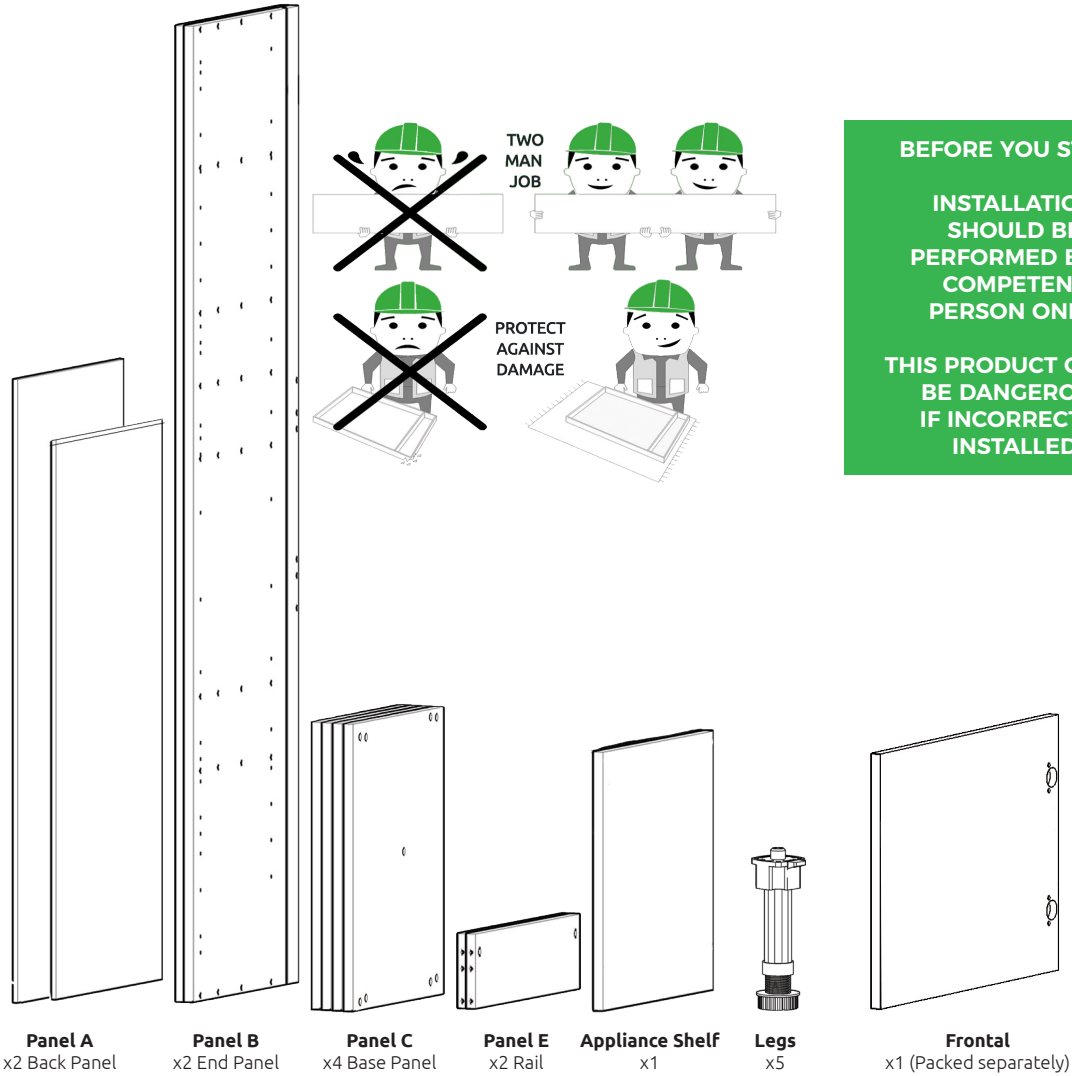
Releasing **fixing clip.**  
Screw point **3** whilst applying downward pressure as shown to release.

Tighten **2b** once in position.

View of drawer side

# TOWER UNIT

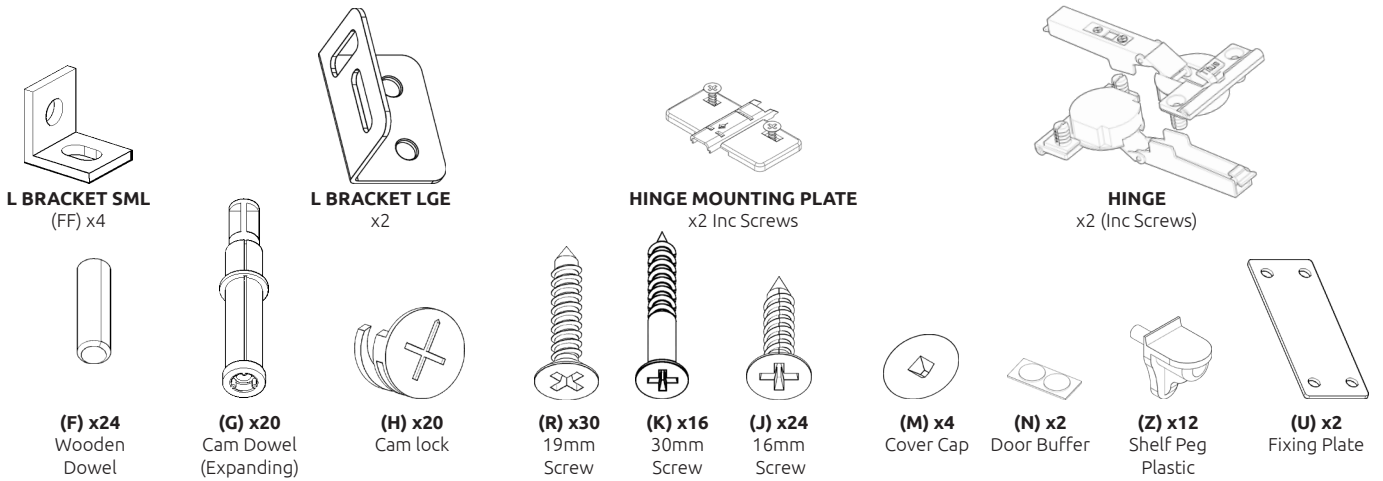
## 600 Double Appliances Inc Dr + Drw Assembly Guide



**BEFORE YOU START**

INSTALLATION SHOULD BE PERFORMED BY A COMPETENT PERSON ONLY.

THIS PRODUCT COULD BE DANGEROUS IF INCORRECTLY INSTALLED

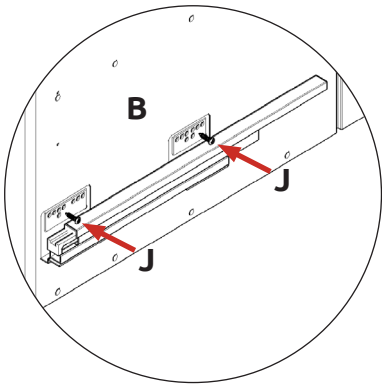


**REQUIRED TOOLS**

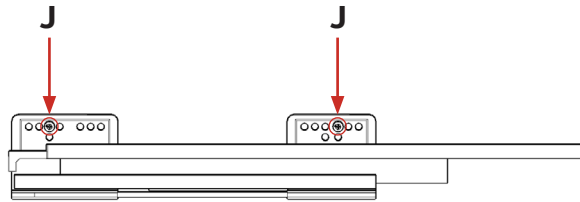


### Step 1.

To attach drawer runner screw into end panels (**B**) using 2 x 16mm screws (**J**) per drawer runner, into pilot holes provided, 3rd hole from front, as shown.



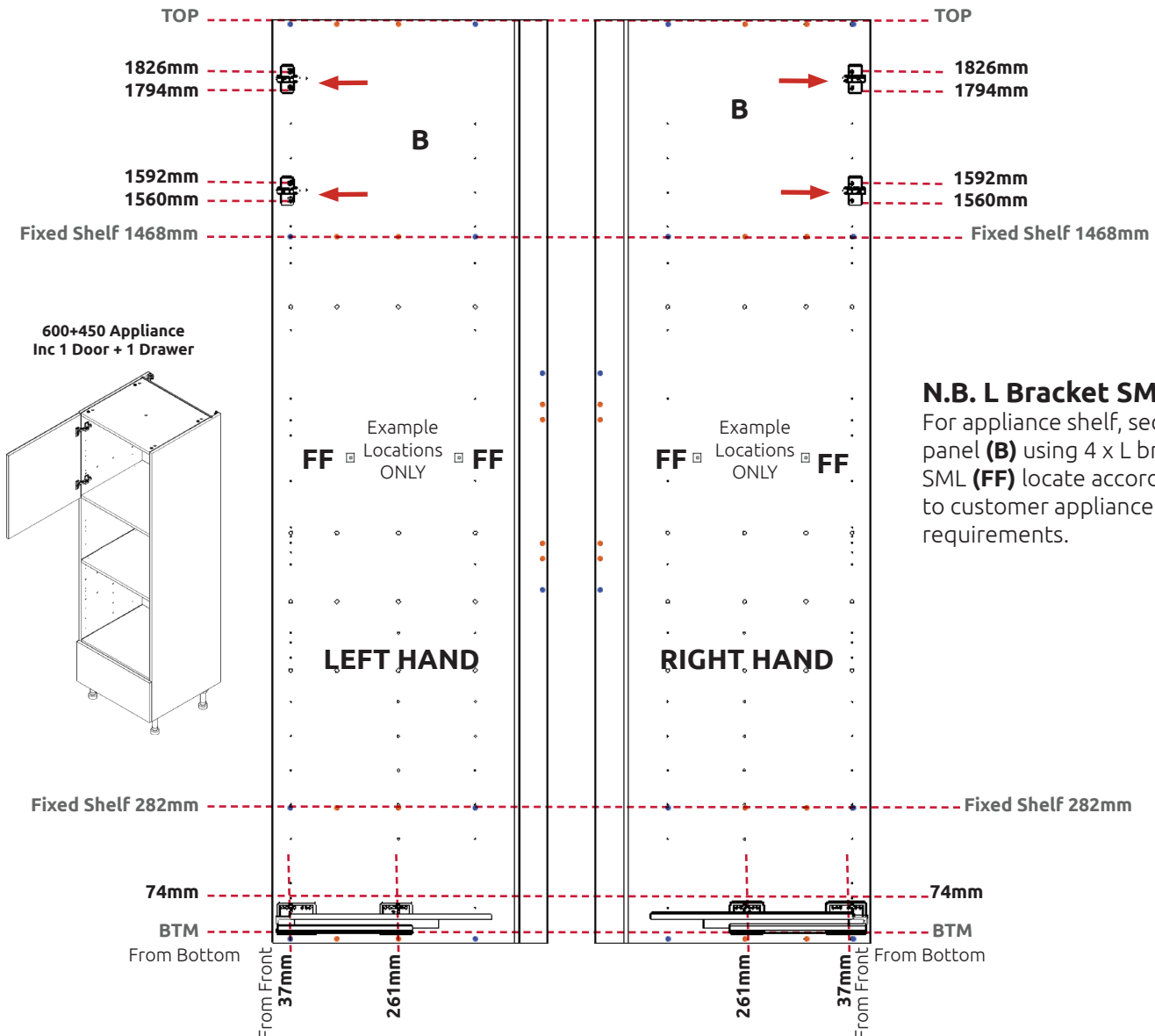
### Drawer runner bracket screw position



### Step 2.

Attach hinge plates onto end panels (**B**) to suit as shown using 2 screws already in hinge plates.

**Hinge side or sides to be mounted in accordance to Customer Specific Kitchen Plan.**



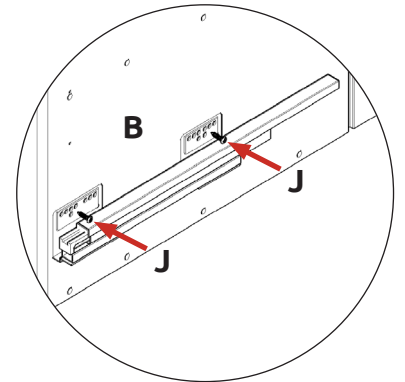
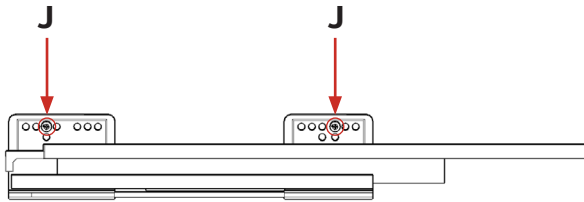
# TOWER UNIT

## 600 Double Appliances Inc Dr + Drw Assembly Guide

### Step 1.

To attach drawer runner screw into end panels (B) using 2 x 16mm screws (J) per drawer runner, into pilot holes provided, 3rd hole from front, as shown.

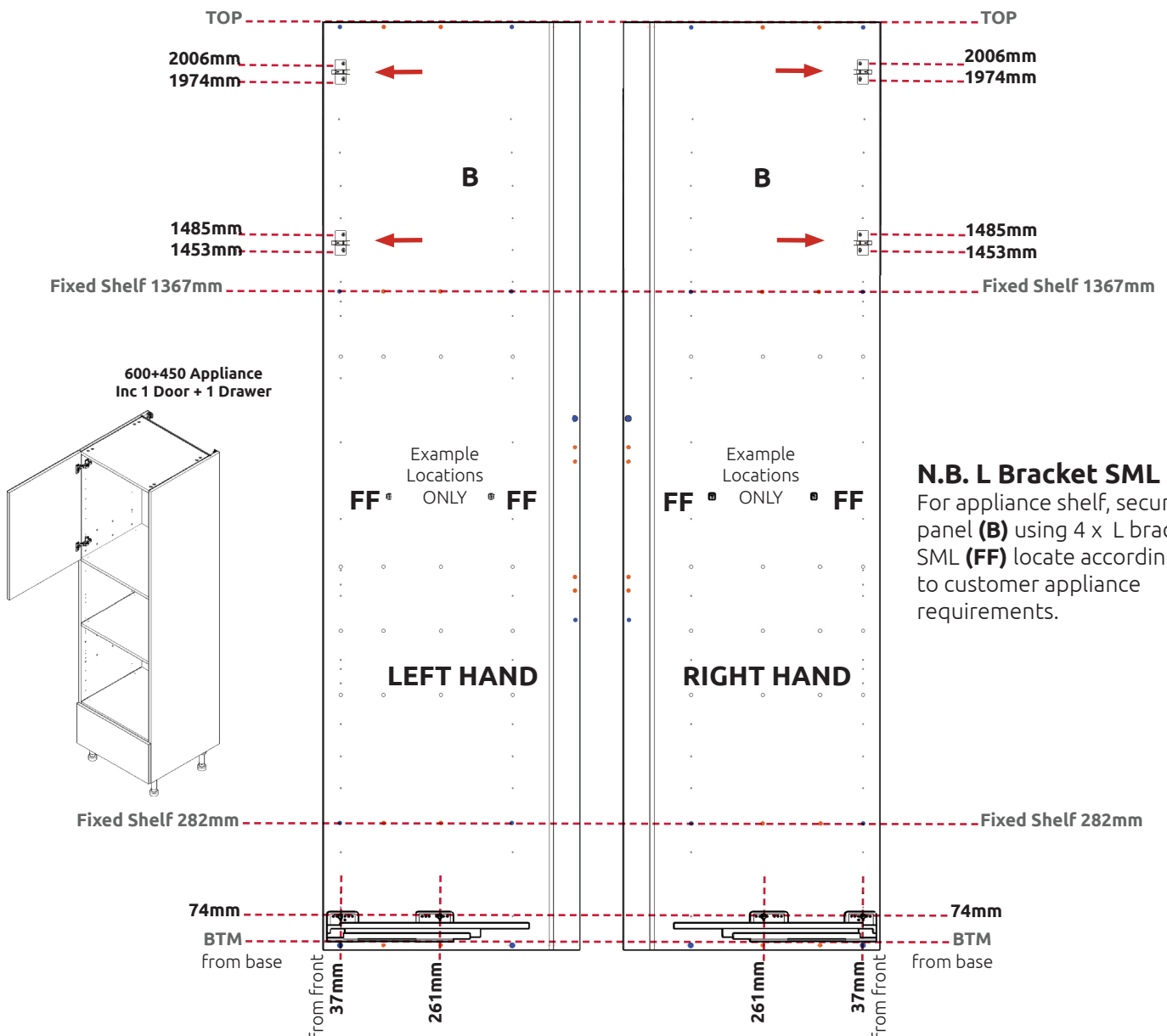
### Drawer runner bracket screw position



### Step 2.

Attach hinge plates onto end panels (B) to suit as shown using 2 screws already in hinge plates.

**Hinge side or sides to be mounted in accordance to Customer Specific Kitchen Plan.**

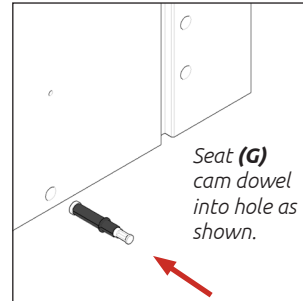


### N.B. L Bracket SML

For appliance shelf, secure to panel (B) using 4 x L brackets SML (FF) locate according to customer appliance requirements.

### Step 3.

Seat dowel (F) into holes in both end panels (B) as shown.



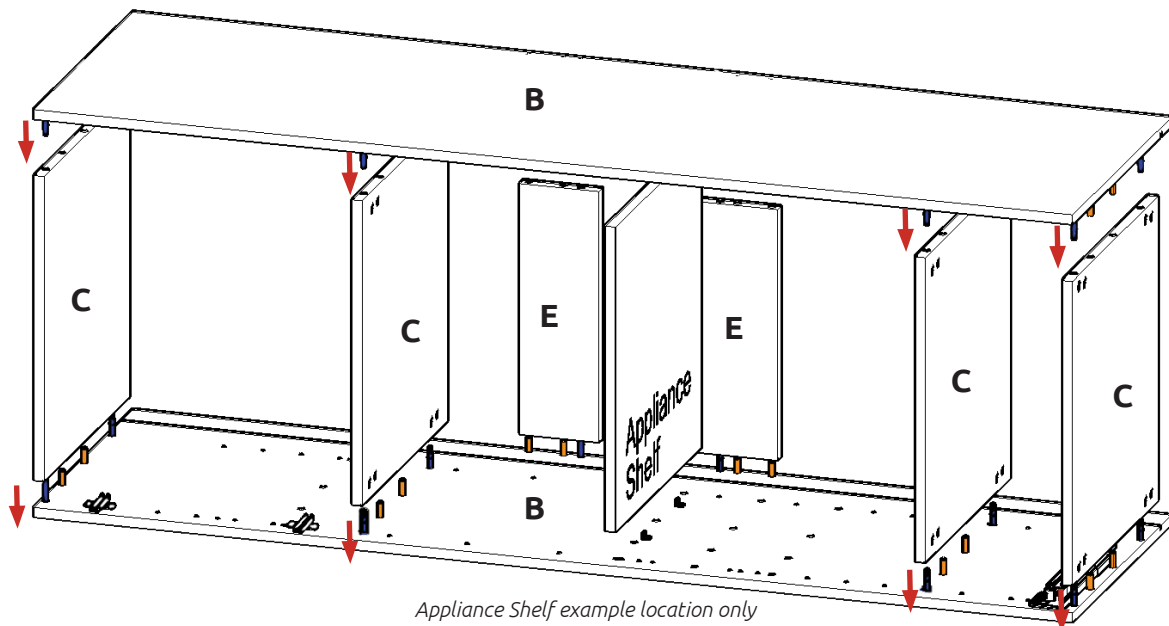
### Step 4.

Seat cam dowel (G) into holes in both end panels (B) as shown.



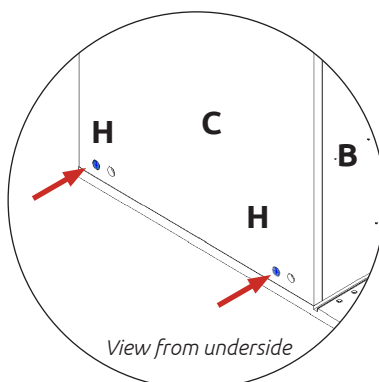
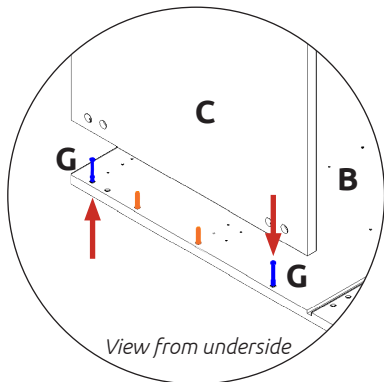
### Step 5.

Attach Panels (C) & (E) to panels (B), using cam dowel (G) (in blue), and also using dowels (F) (in orange) in positions as shown.



NB. All cam locks (H) are to be positioned facing the outside of the unit carcass, for ease of tightening.

Do **not** use power tools with cam dowel (G) or cam lock (H)



### Step 6.

Insert cam lock (H).  
Do NOT tighten until Step 9.

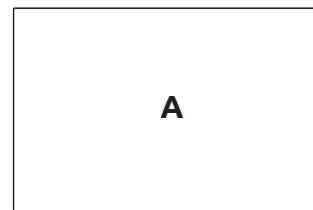
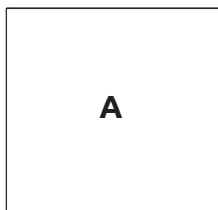


# TOWER UNIT

## 600 Double Appliances Inc Dr + Drw Assembly Guide

### Step 7.

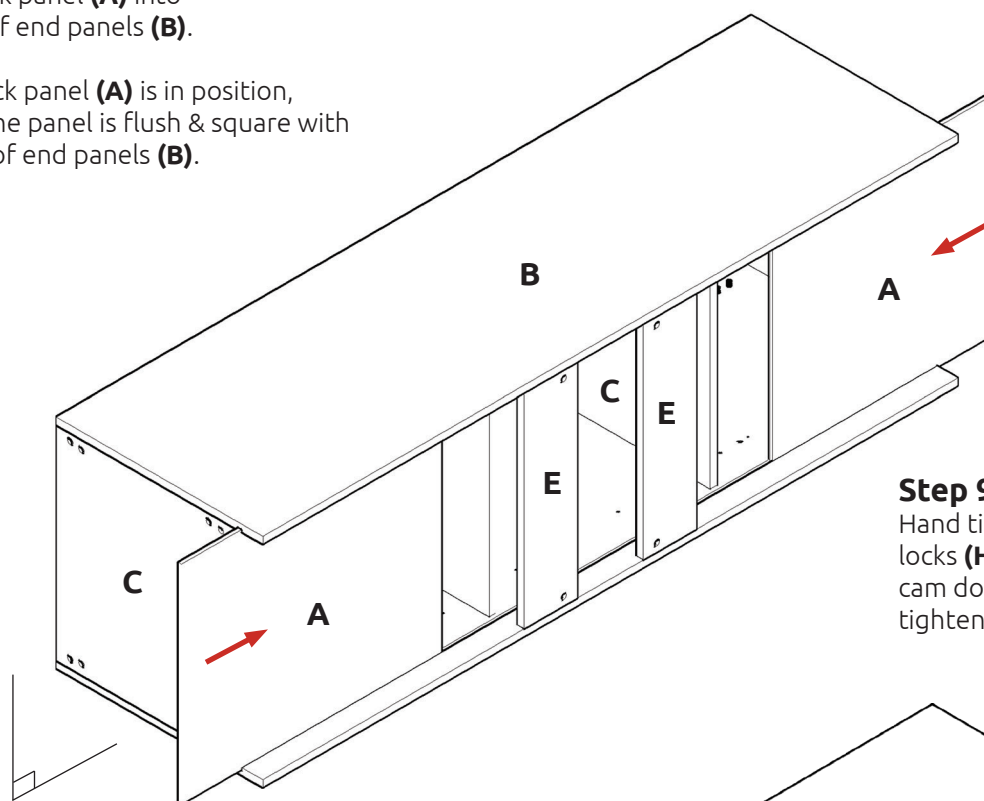
Cut back panel (A) to suit appliance option, leaving the centre appliance aperture open.



### Step 8.

Slide back panel (A) into groove of end panels (B).

Once back panel (A) is in position, ensure the panel is flush & square with bottom of end panels (B).



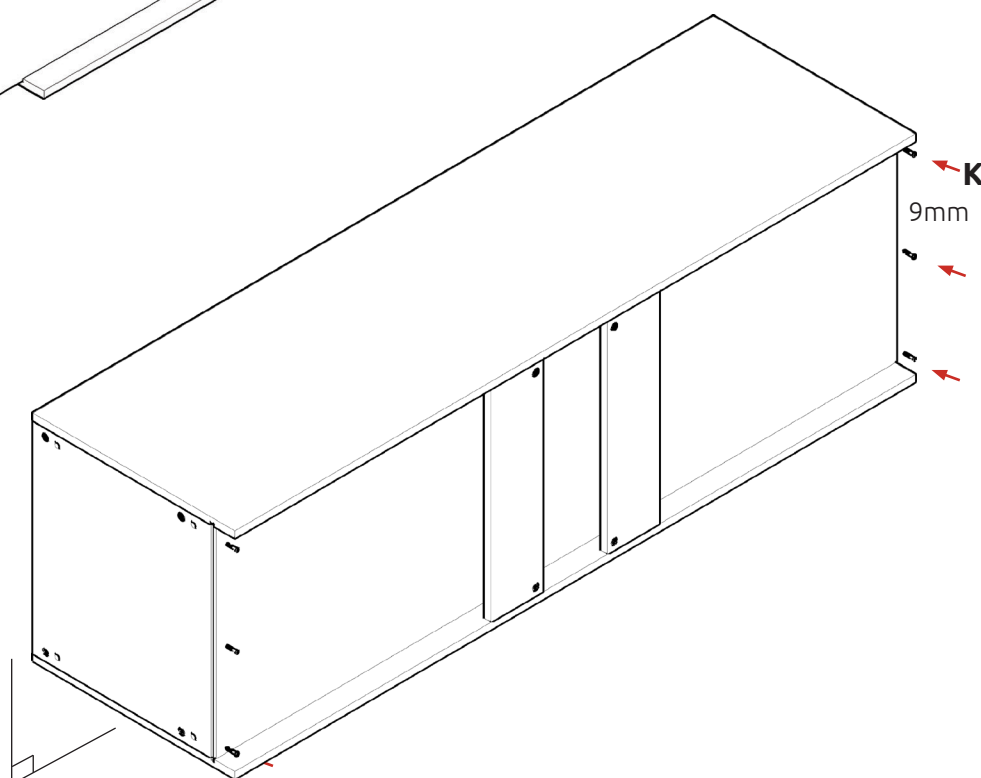
### Step 9.

Hand tighten all cam locks (H), this will expand cam dowels (G) and tighten the unit together.

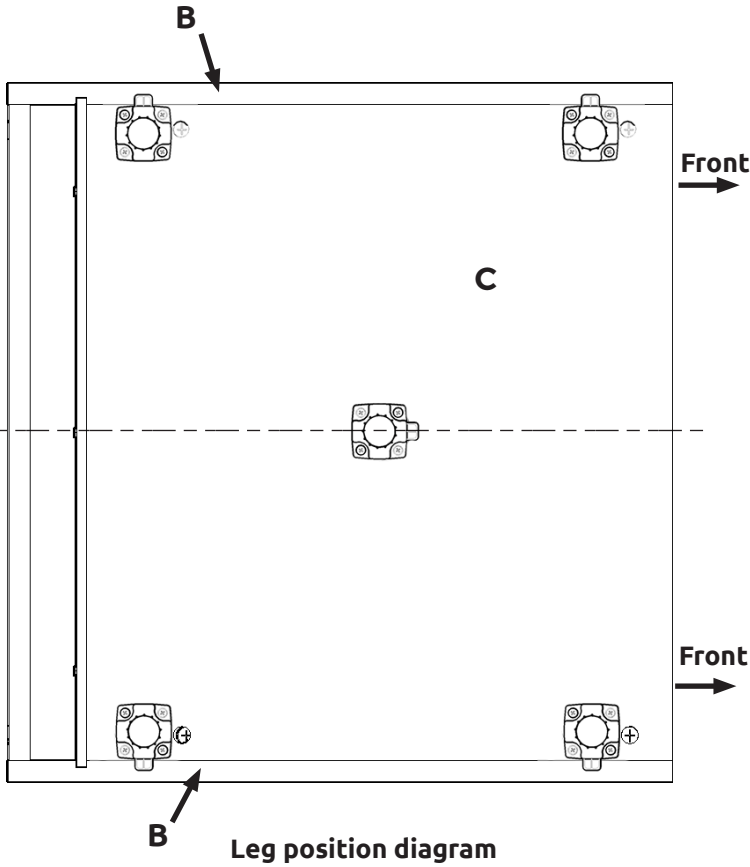
### Step 10.

Ensure unit is square. Secure back panel (A) with 12 x 30mm screws (K) equally spaced at the top & bottom of back panels (A) into base panels (C), as shown.

Ensure you screw into the centre of base panel (C) (9mm from the top or bottom edge where applicable).





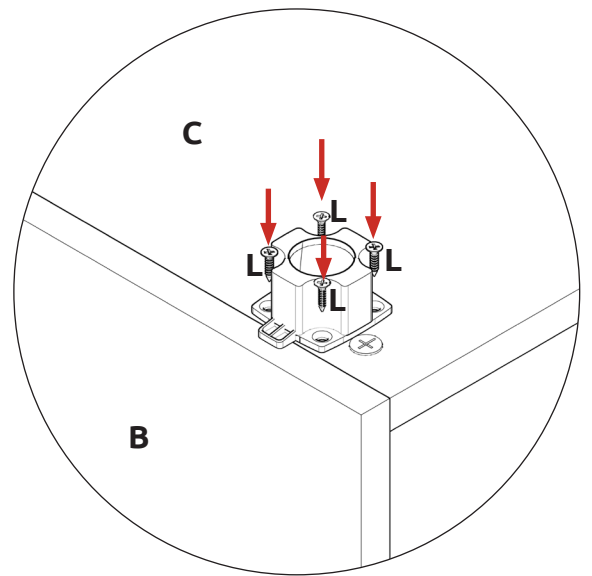


**Step 11.**

Position legs as shown. Ensure legs are rotated to also provide support to the end panels (**B**).

**Step 12.**

Secure each of the legs into place with 4 x 15mm screws (**L**) per leg.

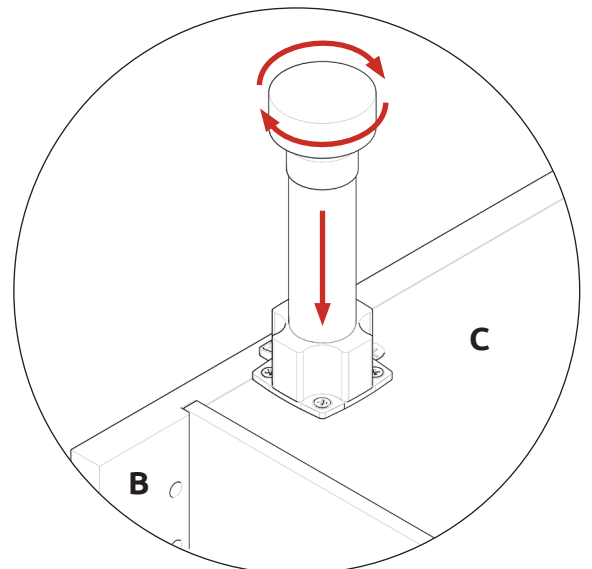


**Step 13.**

Push leg firmly down into leg base. Adjust legs to 155mm before turning unit upright. Once in situ level accordingly.



It is **important** to lift unit onto its legs. Do not tilt as depicted in image.



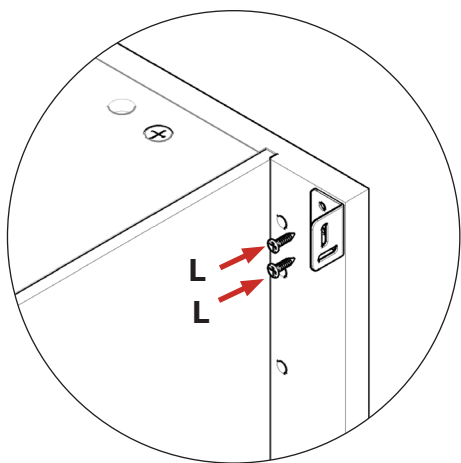
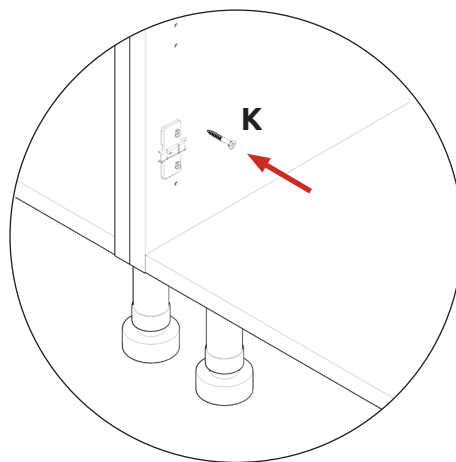
# TOWER UNIT

## 600 Double Appliances Inc Dr + Drw Assembly Guide



Screws for attaching to walls are not provided as these vary depending on materials, thickness and construction. Ensure appropriate fixings for wall construction are used.

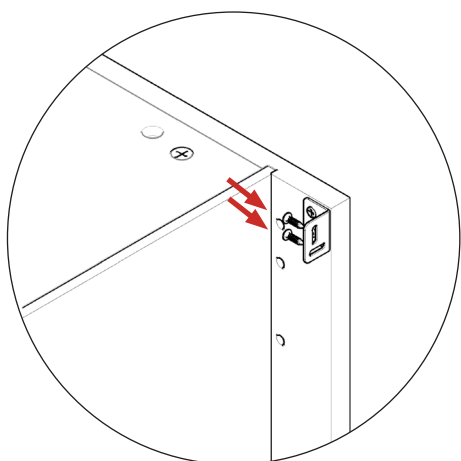
Screw into any side units using the 30mm screws (**K**) provided to secure to unit.  
Screw just to the rear of the hinge mounting plates, at the top and bottom of both sides of the unit, place a cover caps (**M**) on the heads to conceal it.



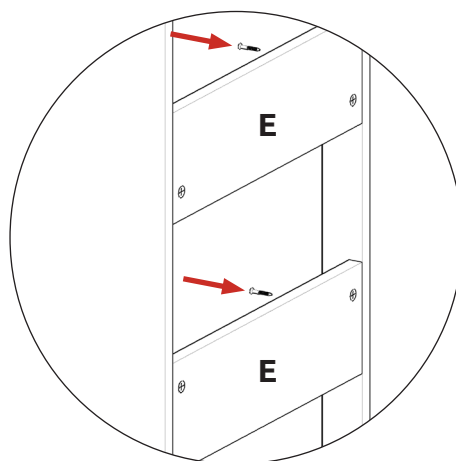
Secure tower to the wall using L brackets.

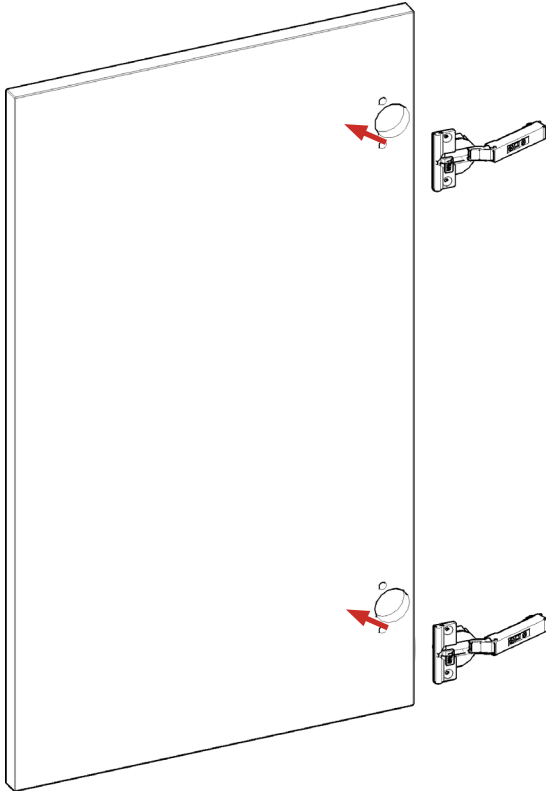
Use 2 x 15mm screws (**L**) to secure each of the L brackets LGE to the unit at either side.

Then screw through into the wall as shown.



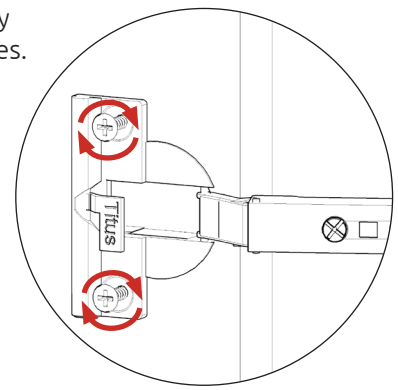
Secure tower to the wall using screws through rail panel (**E**) into the wall as shown.





**Step 12.**  
Insert hinge in top & bottom holes as shown below.

**Step 13.**  
Secure hinges by tightening 2 x screws with hinge dowels attached. These are already positioned within the hinges.



**Step 14.**  
Attach the door to unit where required.

To attach door, clip hinge onto hinge plate and click to secure.

**Step 15.**  
Adjust hinge to suit. As shown below.

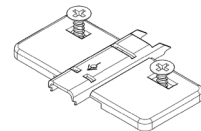
**FRONTAL HINGE ADJUSTMENT**

To **Move** the hinge up/down, loosen screws A + B, Manoeuvre the door, then re-tighten the screws

To **adjust** hinge using a screw driver, tighten or loosen as required at points **1 & 2**.  
Point **1** - In - Out  
Point **2** - Left - Right

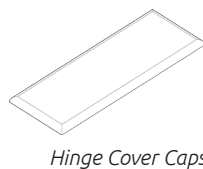
To **release** door, pull catch as shown, to release hinge from the hinge plate.

*View from inside of Unit*

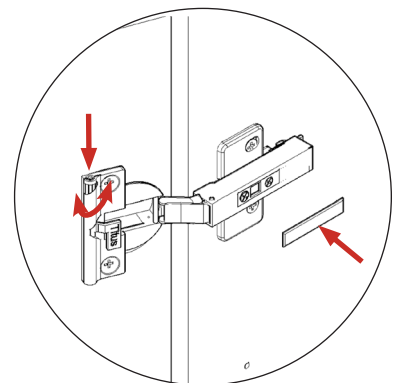


Hinge Plates

**Step 16.**  
Fit cover caps to hinge. Adjust Soft close to suit.



Hinge Cover Caps



The top and bottom hinges **MUST** be adjusted to the **SAME STRENGTH**.

**wren**  
KITCHENS