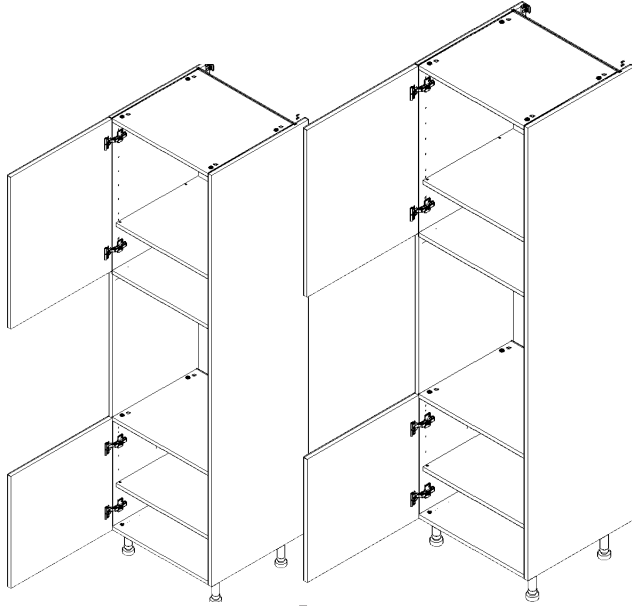


Vogue

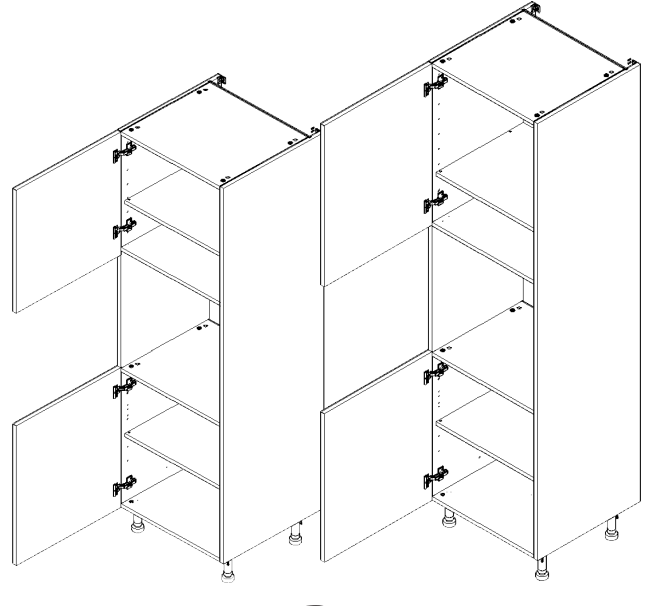
TOWER UNIT

600 Appliance Door & Drawer Assembly Guide



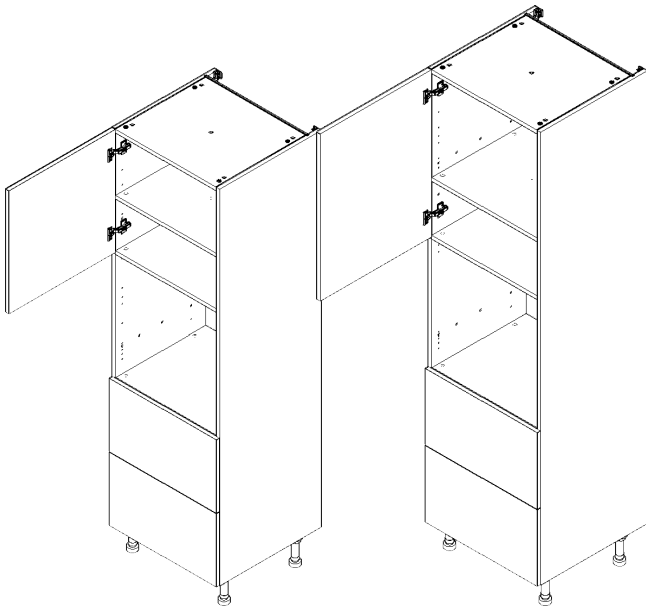
2070 **A** 2250 Tall

900/600+290 Appliance
2 Door



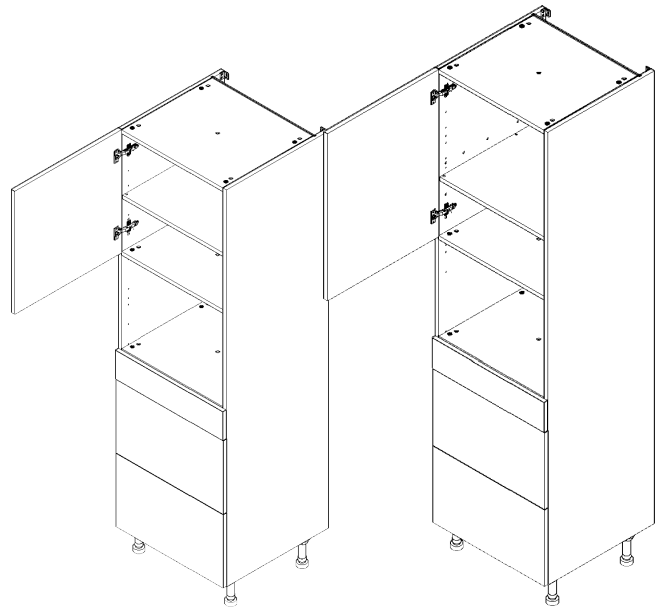
2070 **B** 2250 Tall

600/450+140 Appliance
2 Door



2070 **C** 2250 Tall

600/450+140 Appliance
1 Door +2 Drawer

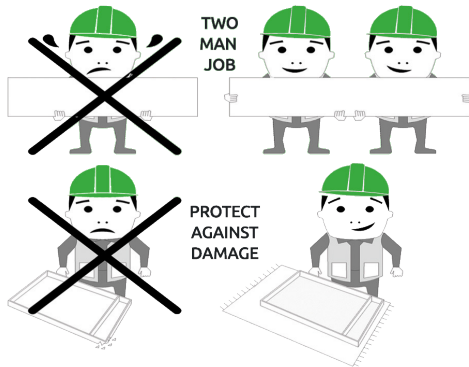


2070 **D** 2250 Tall

450 Appliance
1 Door +3 Drawer

TOWER UNIT

600 Appliance Door & Drawer Assembly Guide



BEFORE YOU START

INSTALLATION SHOULD BE PERFORMED BY A COMPETENT PERSON ONLY.

THIS PRODUCT COULD BE DANGEROUS IF INCORRECTLY INSTALLED

Standard Drawer (Packed Separately)
Fitting Pack Contents

- METAL BACK PANEL x 1
- DRAWER SIDE x1 Right Hand
- DRAWER SIDE x1 Left Hand
- DRAWER FRONT FIXING x 2
- DRAWER BASE x 1
- DRAWER RUNNER x1 Left Hand
- DRAWER RUNNER x1 Right Hand
- DRAWER COVER CAP x2
- FRONTAL (Supplied separately)

Hardware: (J) x16 Drawer Runner 16mm Screws, (Q) x4 21mm Screw, (N) x1 Door Buffer

Deep Drawer (Packed Separately)
Fitting Pack Contents

- METAL BACK PANEL x 1
- DRAWER SIDE x1 Right Hand
- DRAWER SIDE x1 Left Hand
- GALLERY RAIL x 2
- DRAWER FRONT FIXING x 2
- DRAWER BASE x 1
- DRAWER RUNNER x1 Left Hand
- DRAWER RUNNER x1 Right Hand
- DRAWER COVER CAP x2
- FRONTAL (Supplied separately)

Hardware: (Y) x2 Gallery Head, (J) x16 Drawer Runner 16mm Screws, (Q) x4 21mm Screw, (L) x2 15mm Screw, (N) x1 Door Buffer

REQUIRED TOOLS



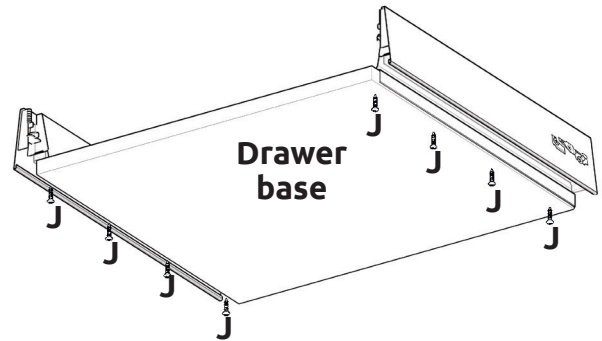
Step 1.

Secure drawer base to drawer side using 4 x 16mm drawer runner screws (**J**) in holes provided.

Seat the edge of drawer base tight into corner of casing, as shown.

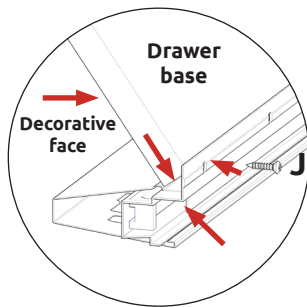
The decorative face of drawer base to be positioned as shown.

Repeat step 1 so both drawer sides are attached to drawer base.

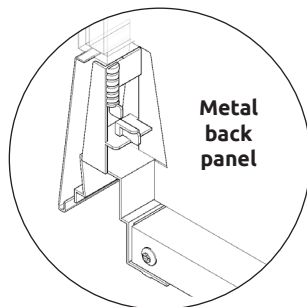


Step 2.

Clip on metal back panel to drawer base & drawer sides.



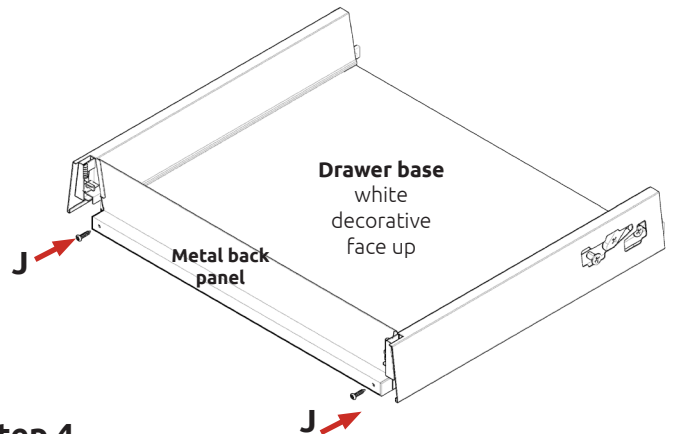
Front of drawer



View from back

Step 3.

Screw back panel in position using 2 x 16mm screws (**J**) to drawer base in holes provided.



Step 5.

Draw Adjustment
Screw point **1** as shown to adjust drawer frontal right & left.

Screw point **2a** as shown to adjust drawer frontal up & down.

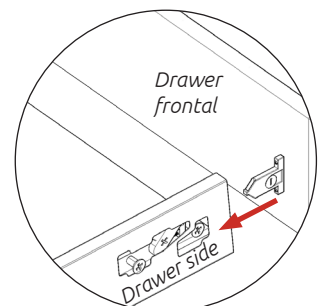
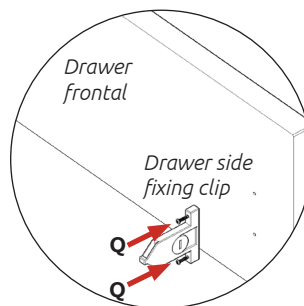
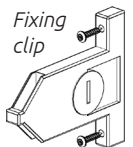
Tighten **2b** once in position.

Releasing **fixing clip**. Screw point **3** whilst applying downward pressure as shown to release.

View of drawer side

Step 4.

Frontal Attachment
Secure drawer side fixing clips using 2 x 21mm screws (**Q**) in pilot holes provided as shown.



Step 6.

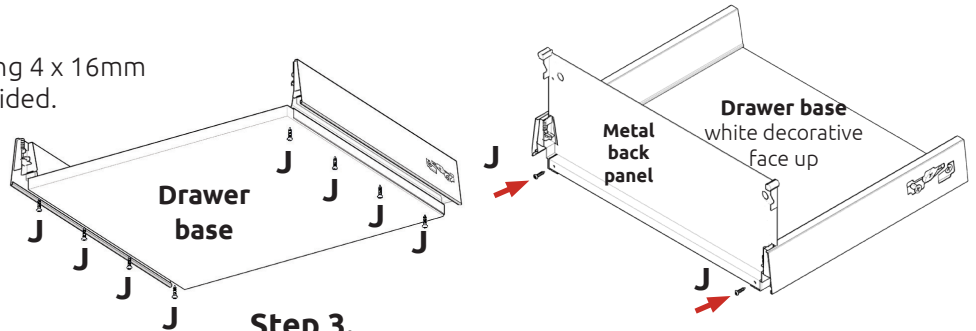
Fit Drawer Cover Caps over drawer side adjustment.

TOWER UNIT

600 Appliance Door & Drawer Assembly Guide

Step 1.

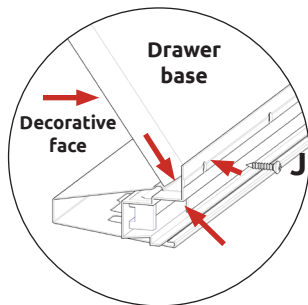
Secure drawer base to drawer side using 4 x 16mm drawer runner screws (**J**) in holes provided. Seat the edge of drawer base tight into corner of casing, as shown. The decorative face of drawer base to be positioned as shown.



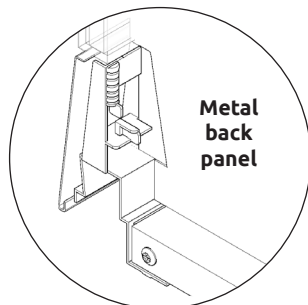
Repeat step 1 so both drawer sides are attached to drawer base.

Step 2.

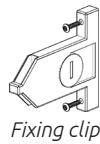
Clip on metal back panel to drawer base & drawer sides.



Front of drawer



View from back



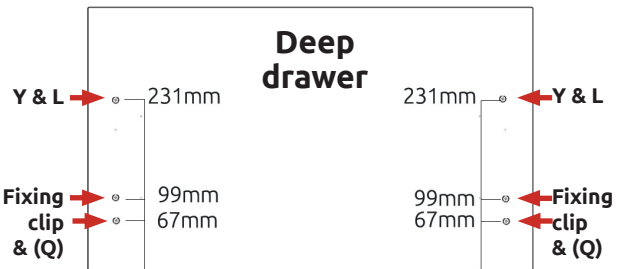
Fixing clip



(Y) Gallery Head

Step 3.

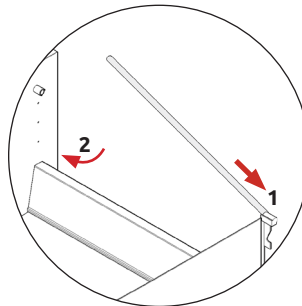
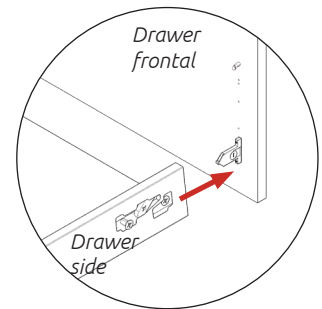
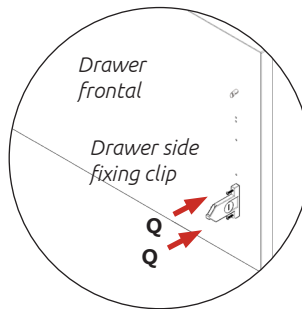
Screw back panel in position using 2 x 16mm screws (**J**) to drawer base in holes provided.



Step 4.

Frontal Attachment

Secure **drawer side fixing clips** using 2 x 21mm screws (**Q**) & **Gallery Head (Y)** using 1 x 15mm screws (**L**) in pilot holes provided as shown.



Step 6.

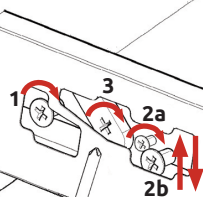
Fit gallery rail into the top corners of metal back panel. Locate front end of the gallery rail into the opening of the gallery head, which is secured to the frontal as shown

Drawer Frontal Adjustment

Step 5.

Draw Adjustment
Screw point **1** as shown to adjust drawer frontal right & left.

Screw point **2a** as shown to adjust drawer frontal up & down.



Releasing fixing clip.

Screw point **3** whilst applying downward pressure as shown to release.

Tighten **2b** once in position.

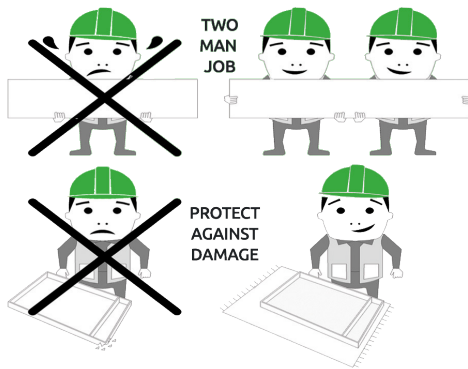
View of drawer side

Step 7.

Fit drawer cover caps over drawer side adjustment.



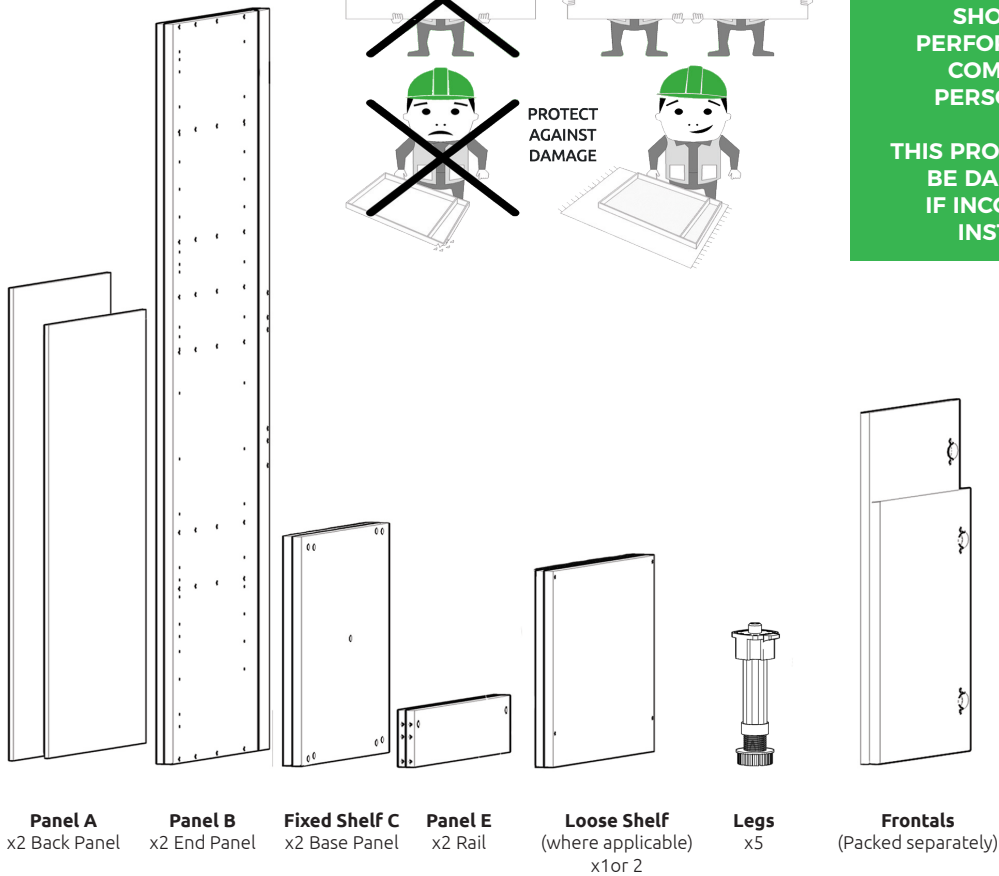
Drawer Cover Cap



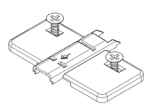
BEFORE YOU START

INSTALLATION SHOULD BE PERFORMED BY A COMPETENT PERSON ONLY.

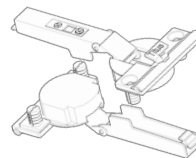
THIS PRODUCT COULD BE DANGEROUS IF INCORRECTLY INSTALLED



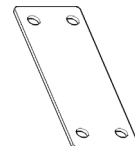
L Bracket LGE
x2



Hinge Mounting Plate
x2 or 4
Inc Screws



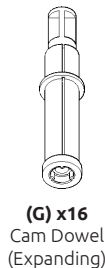
Hinge x2 or 4
Where applicable
(Inc Screws)



(U) x2
Fixing Plate



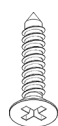
(F) x16
Wooden Dowel



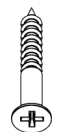
(G) x16
Cam Dowel
(Expanding)



(H) x12
Cam lock



(R) x30
19mm
Screw



(K) x16
30mm
Screw



(L) x24
15mm
Screw



(M) x4
Cover Cap

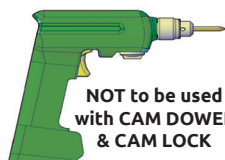


(N) x2
Door Buffer



(Z) x12
Shelf Peg
Plastic

REQUIRED TOOLS



**NOT to be used
with CAM DOWEL
& CAM LOCK**

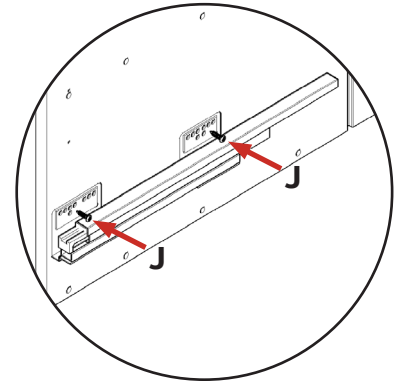


TOWER UNIT

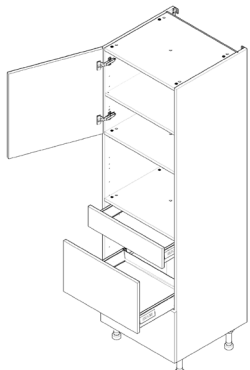
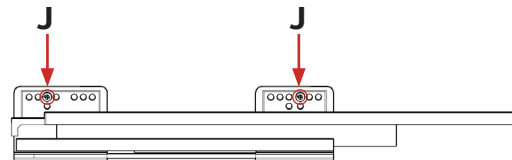
600 Appliance Door & Drawer Assembly Guide

Step 1.

To attach drawer runner screw into end panels (**B**) using 2 x 16mm screws (**J**) per drawer rail, into pilot holes provided, 3rd hole from front, as shown.

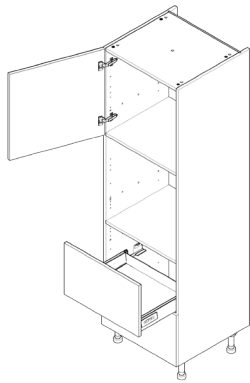


Drawer runner bracket screw position



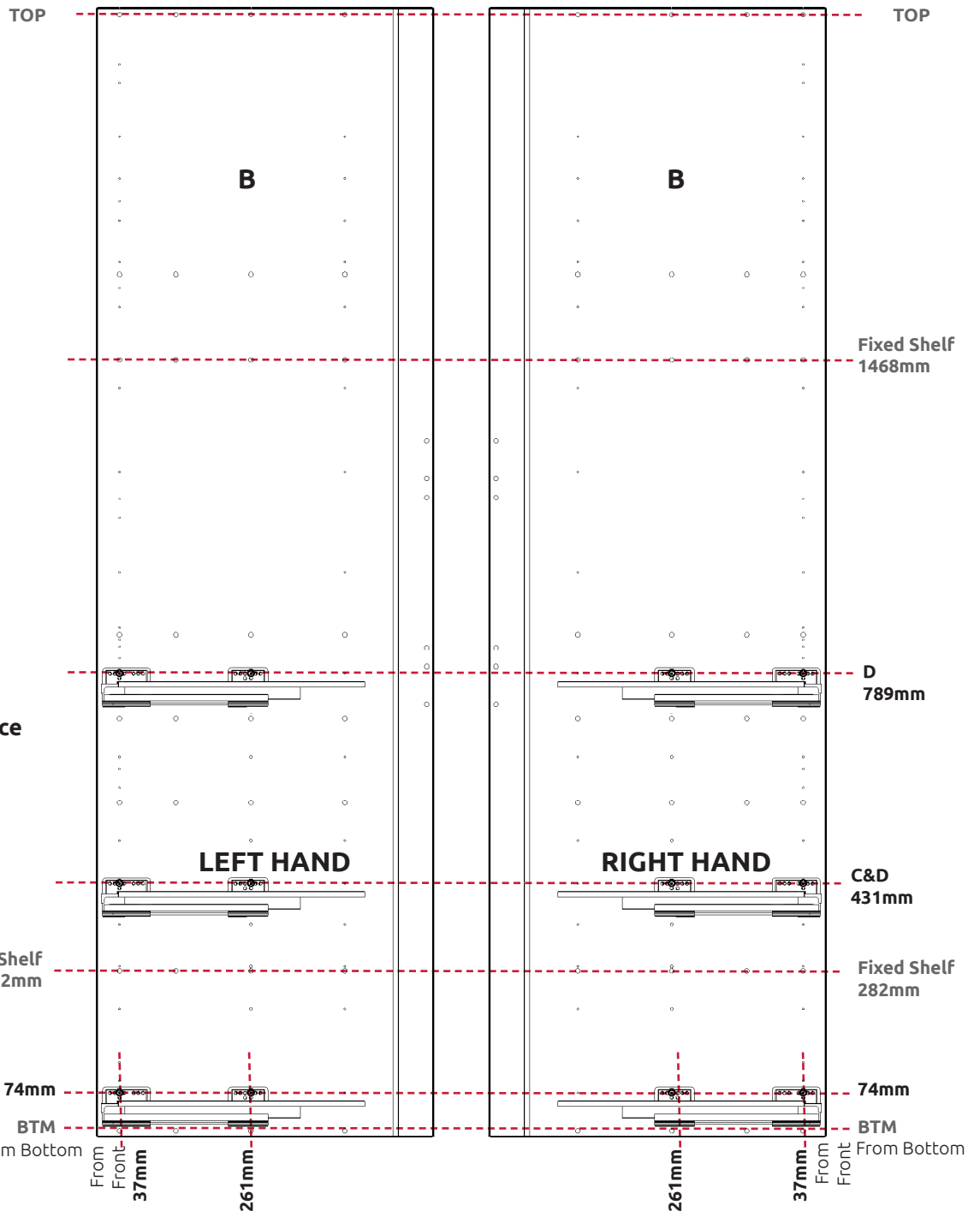
D

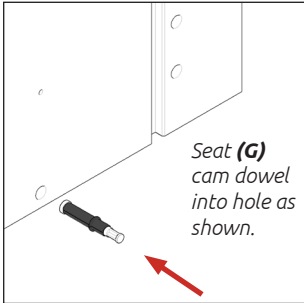
450 Appliance
1 Door+3 Drawer
2070 & 2250 Tall



C

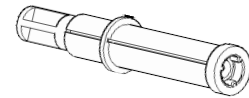
600/450+140 Appliance
1 Door+2 Drawer
2070 & 2250 Tall





Step 1.

Seat dowel (F) into holes in both end panels (B) as shown.



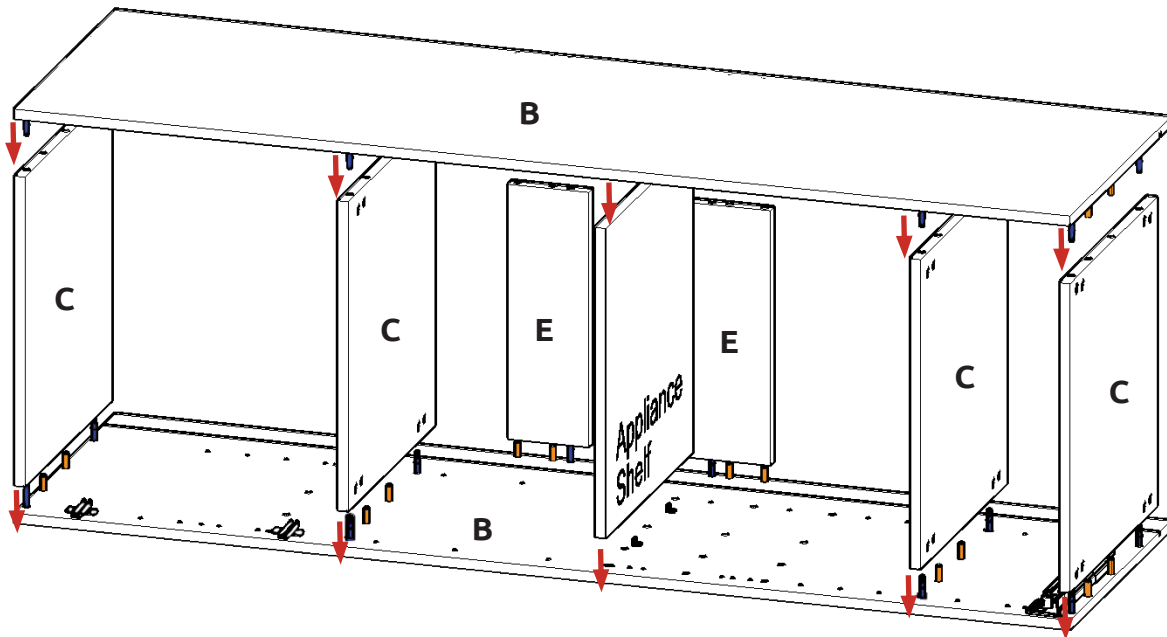
Step 2.

Seat cam dowel (G) into holes in both end panels (B) as shown.

Step 3.

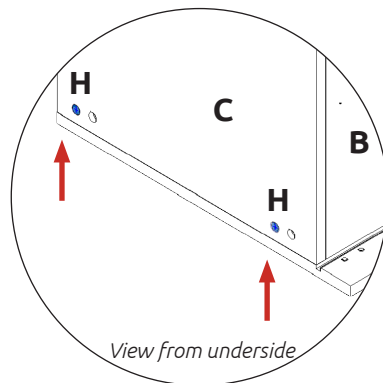
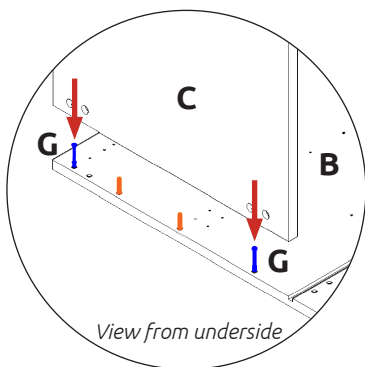
Attach Panels (C) & (E) to panels (B), using cam dowel (G) (in blue) and also using dowels (F) (in orange) in positions as shown on. **SEE SHEET 7 or 8 WHERE APPLICABLE.**

FOR PANEL(C) POSITIONS SEE SHEET 7



NB. All cam locks (H) are to be positioned facing the outside of the unit carcase, for ease of tightening.

Do **not** use power tools with cam dowel (G) or cam lock (H)



Step 4.

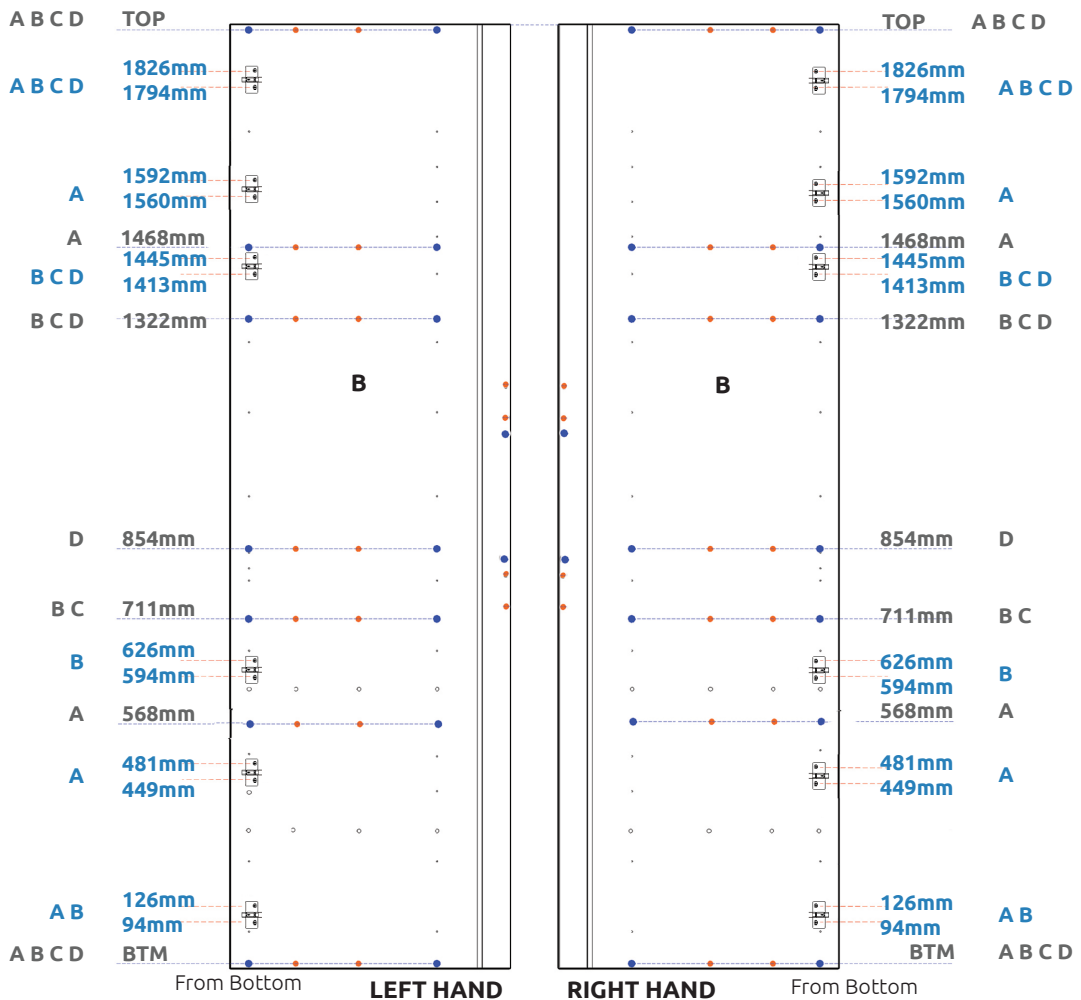
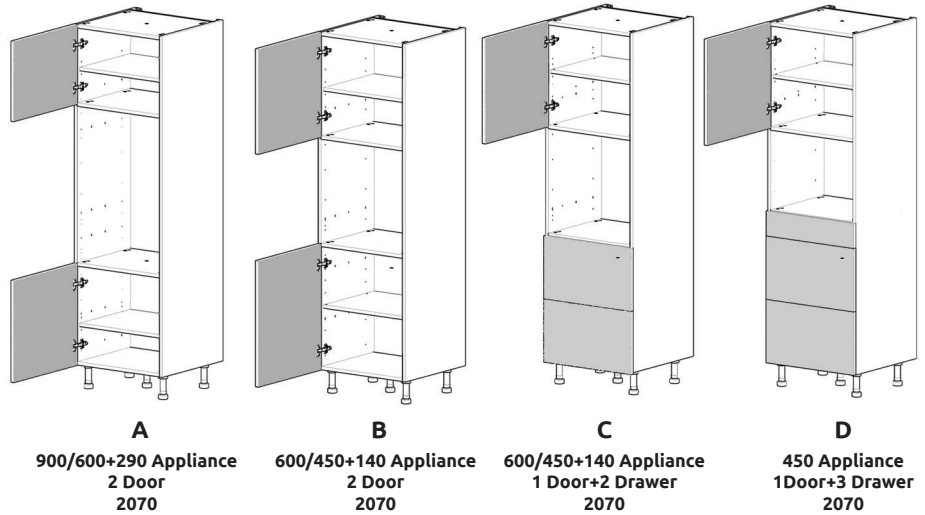
Insert cam lock (H). Do NOT tighten until Step 7.

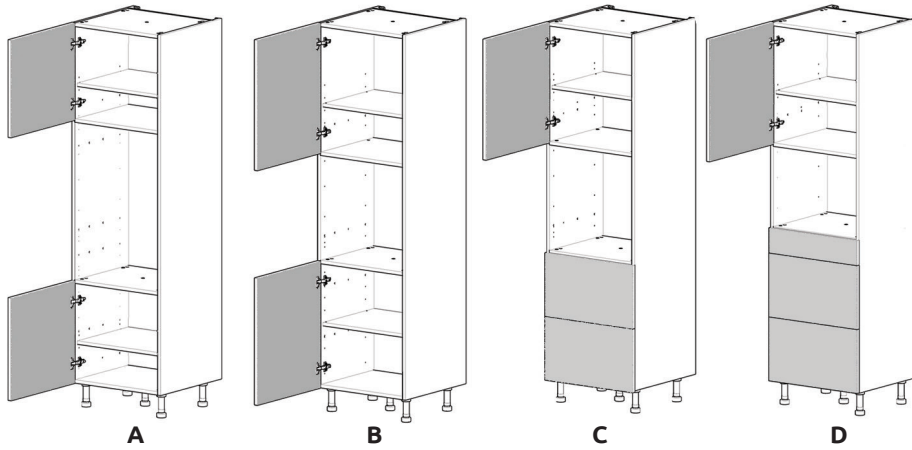


TOWER UNIT

600 Appliance Door & Drawer Assembly Guide

HINGE & FIXED SHELF (B) POSITIONS





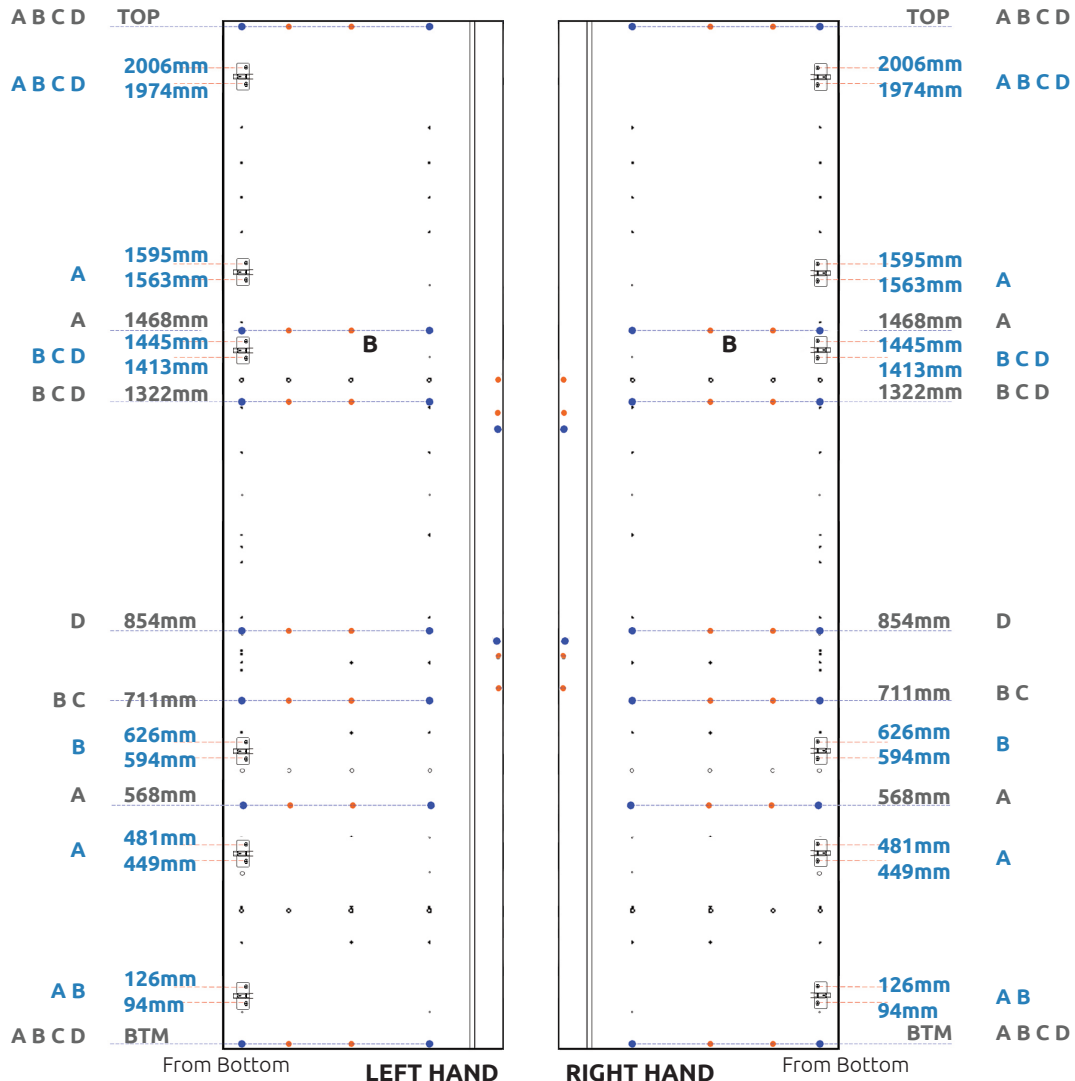
HINGE & FIXED SHELF (B) POSITIONS

900/600+290 Appliance
2 Door
2250 Tall

600/450+140 Appliance
2 Door
2250 Tall

600/450+140 Appliance
1 Door+2 Drawer
2250 Tall

450 Appliance
1 Door+3 Drawer
2250 Tall

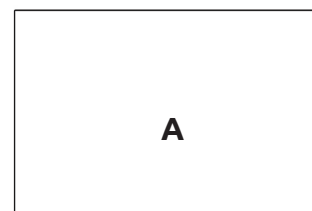
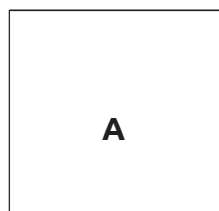


TOWER UNIT

600 Appliance Door & Drawer Assembly Guide

Step 5.

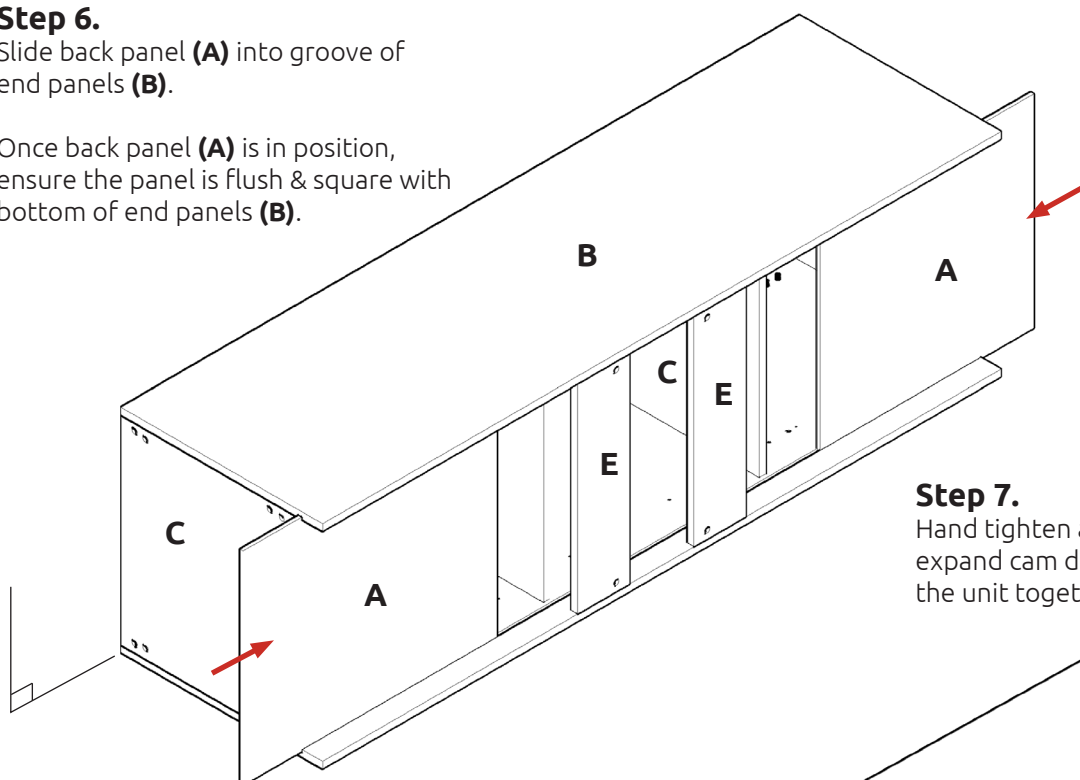
Cut back panel (A) to suit appliance option, to leaving the centre appliance aperture open.



Step 6.

Slide back panel (A) into groove of end panels (B).

Once back panel (A) is in position, ensure the panel is flush & square with bottom of end panels (B).



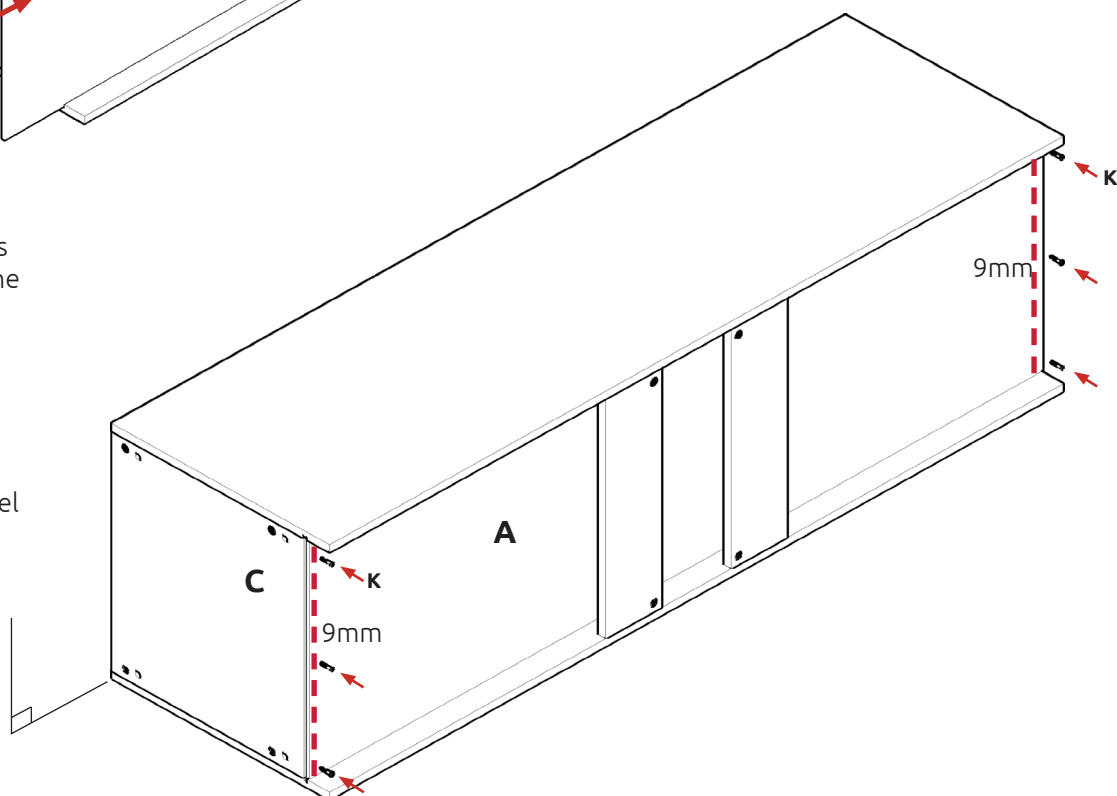
Step 7.

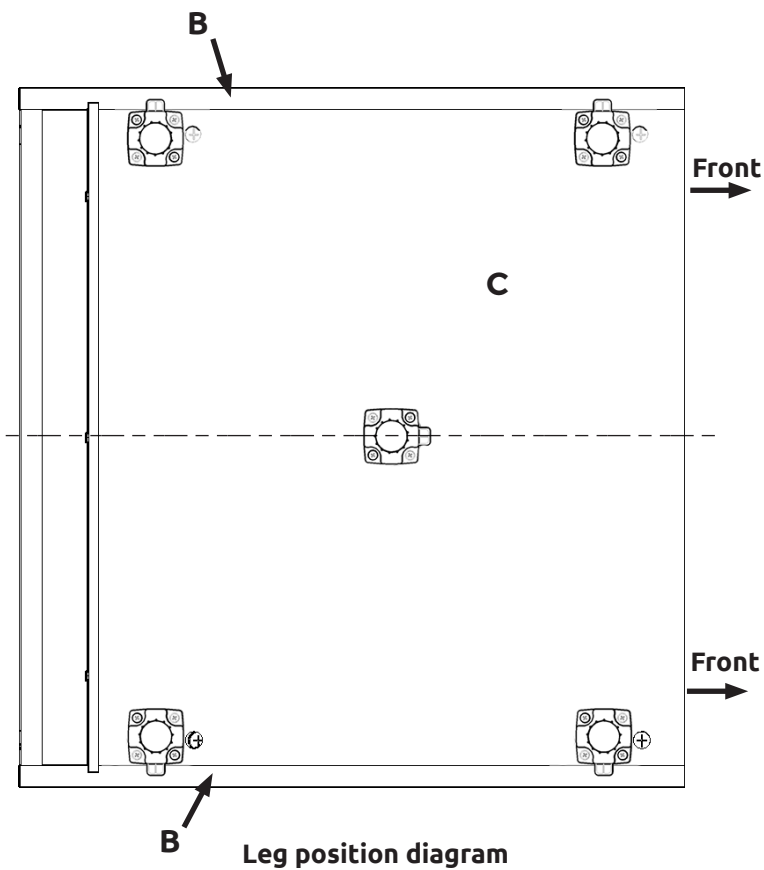
Hand tighten all cam locks (H), this will expand cam dowels (G) and tighten the unit together.

Step 8.

Ensure unit is square. Secure back panel (A) with 12 x 30mm screws (K) equally spaced at the top & bottom of back panels (A) into base panels (C), as shown.

Ensure you screw into the centre of base panel (C) (9mm from the top or bottom edge where applicable).



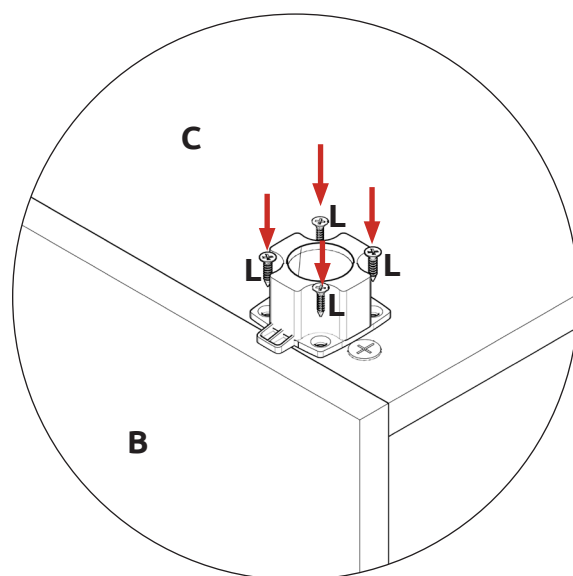


Step 9.

Position legs as shown. Ensure legs are rotated to also provide support to the end panels (**B**).

Step 10.

Secure each of the legs into place with 4 x 15mm screws (**L**) per leg.

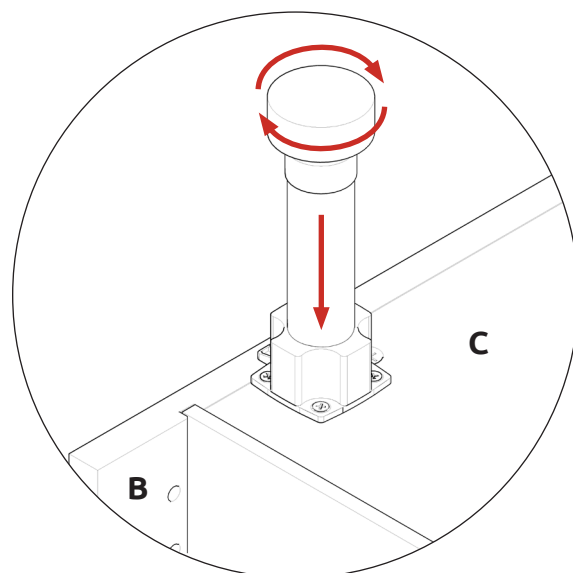


Step 11.

Push leg firmly down into leg base. Adjust legs to 155mm before turning unit upright. Once in situ level accordingly.



It is **important** to lift unit onto its legs. Do not tilt as depicted in image.



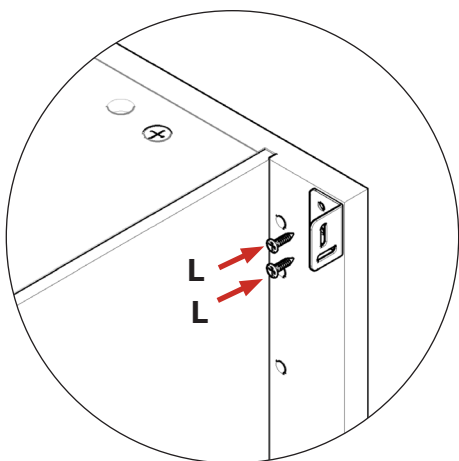
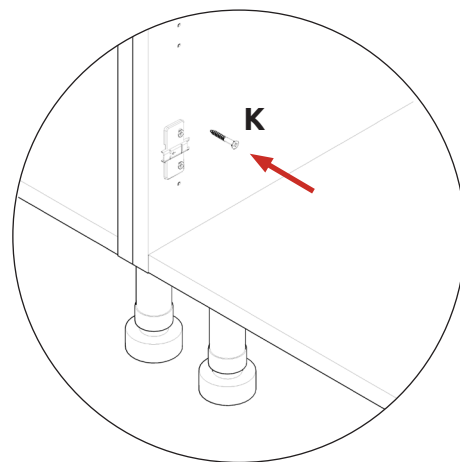
TOWER UNIT

600 Appliance Door & Drawer Assembly Guide



Screws for attaching to walls are not provided as these vary depending on materials, thickness and construction. Ensure appropriate fixings for wall construction are used.

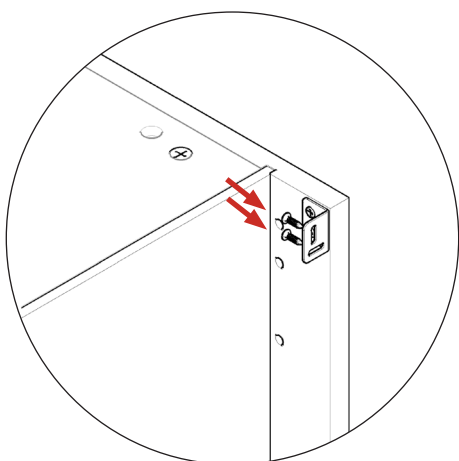
Screw into any side units using the 30mm screws (**K**) provided to secure to unit.
Screw just to the rear of the hinge mounting plate, at the top and bottom of both sides of the unit, place a cover cap on the head to conceal it.



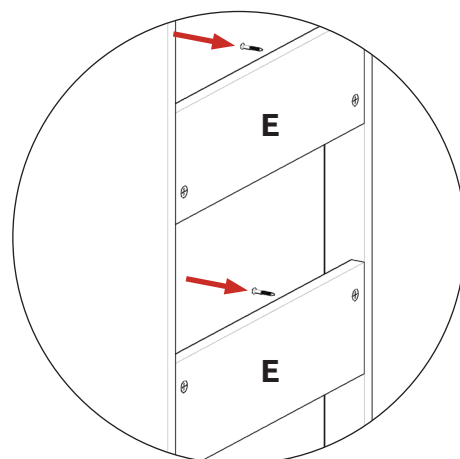
Secure tower to the wall using L brackets.

Use 2 x 15mm screws (**L**) to secure each of the L brackets to the units at either side.

Then screw through into the wall as shown.



Secure tower to the wall using screws through rail panel (**E**) into the wall as shown.

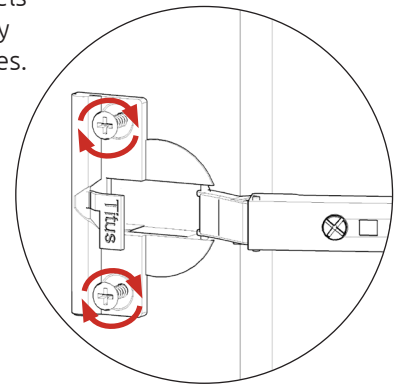




See Customer Specific Kitchen Plan For Tower Frontals

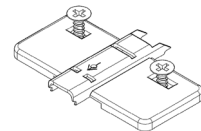
Step 12.
Insert hinge in top & bottom holes as shown below.

Step 13.
Secure hinges by tightening 2 x screws with hinge dowels attached. These are already positioned within the hinges.



Step 14.
Attach the door to unit where required.

To attach door, clip hinge onto hinge plate and click to secure.



Hinge Plates

Step 15.
Adjust hinge to suit. As shown below.

FRONTAL HINGE ADJUSTMENT

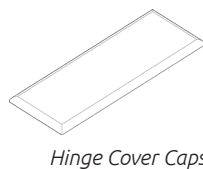
To **adjust** hinge using a screw driver, tighten or loosen as required at points **1** & **2**.
Point **1** - In - Out
Point **2** - Left - Right

To **Move** the hinge up/down, loosen screws A + B, Manoeuvre the door, then re-tighten the screws

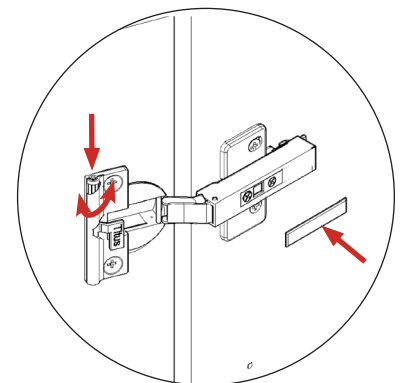
To **release** door, pull catch as shown, to release hinge from the hinge plate.

View from inside of Unit

Step 16.
Fit cover caps to hinge. Adjust Soft close to suit.



Hinge Cover Caps



The top and bottom hinges **MUST** be adjusted to the **SAME STRENGTH.**

Vogue

TOWER UNIT

600 Appliance Door & Drawer Assembly Guide

wren
KITCHENS