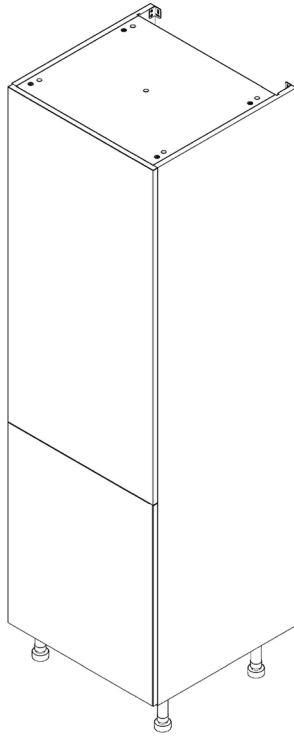


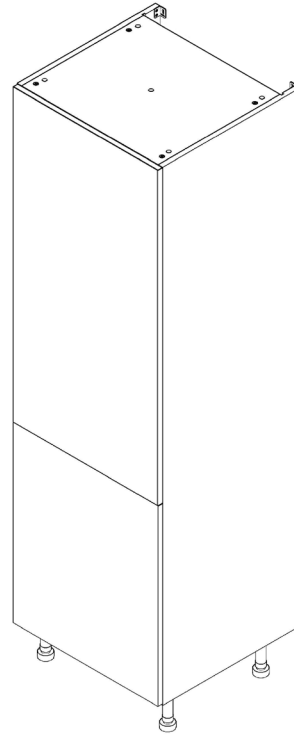
Vogue

TOWER UNIT

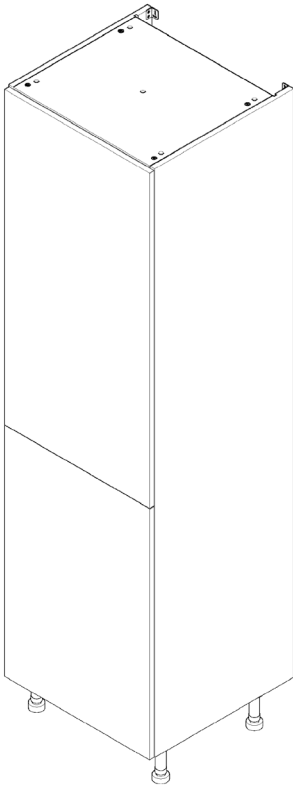
600 2 Door Fridge / Freezer Assembly Guide



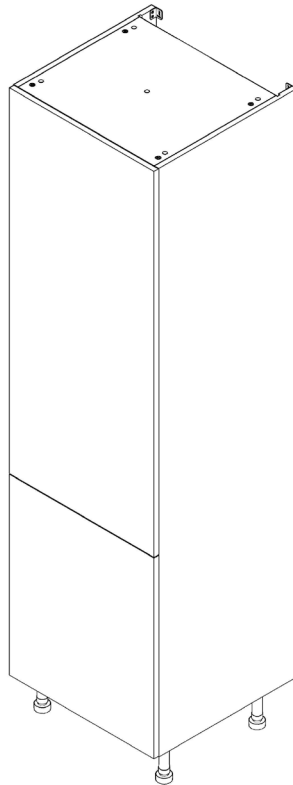
2070 x 600
50/50



2070 x 600
70/30



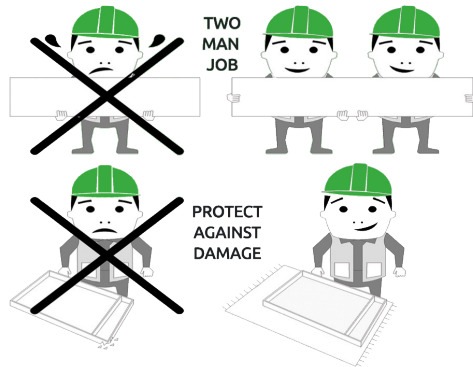
2250 x 600 Tall
50/50



2250 x 600 Tall
70/30

TOWER UNIT

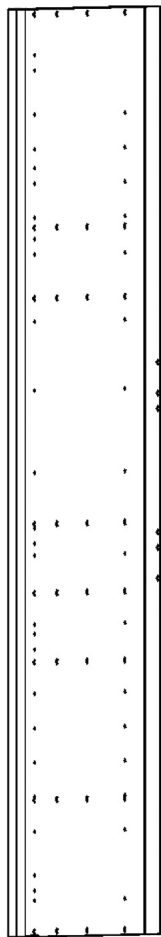
600 2 Door Fridge / Freezer Assembly Guide



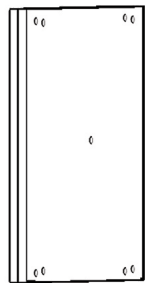
BEFORE YOU START

INSTALLATION SHOULD BE PERFORMED BY A COMPETENT PERSON ONLY.

THIS PRODUCT COULD BE DANGEROUS IF INCORRECTLY INSTALLED



Panel B
x2 End Panel



Panel C
x2 Base Panel



Panel E
x2 Rail

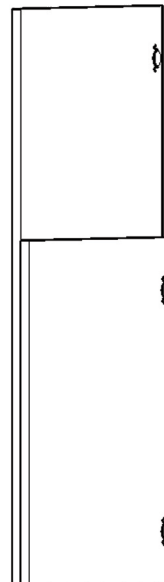


Appliance Shelf
x1



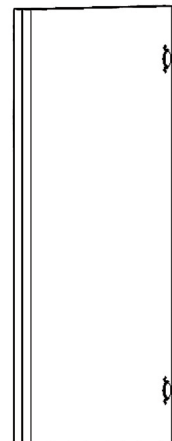
Legs
x5

70/30 OPTION



Frontal (packed separately)

50/50 OPTION



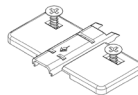
x2



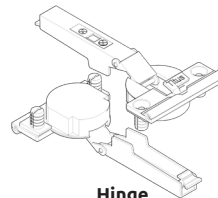
L Bracket LGE
x2



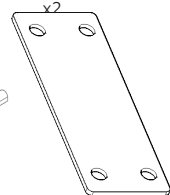
L Bracket SML
(FF) x4



Hinge Mounting Plate
x5 Inc Screws



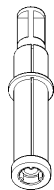
Hinge
x5 Inc Screws



Fixing Plate
(U) x2



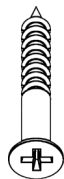
(F) x16
Wooden Dowel



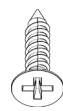
(G) x16
Cam Dowel (Expanding)



(H) x12
Cam lock



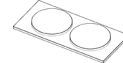
(K) x10
30mm Screw



(L) x24
15mm Screw



(M) x4
Cover Cap

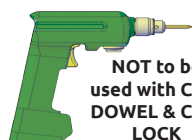


(N) x2
Door Buffer



(Z) x24
Shelf Peg Plastic

REQUIRED TOOLS

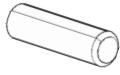


NOT to be used with CAM DOWEL & CAM LOCK



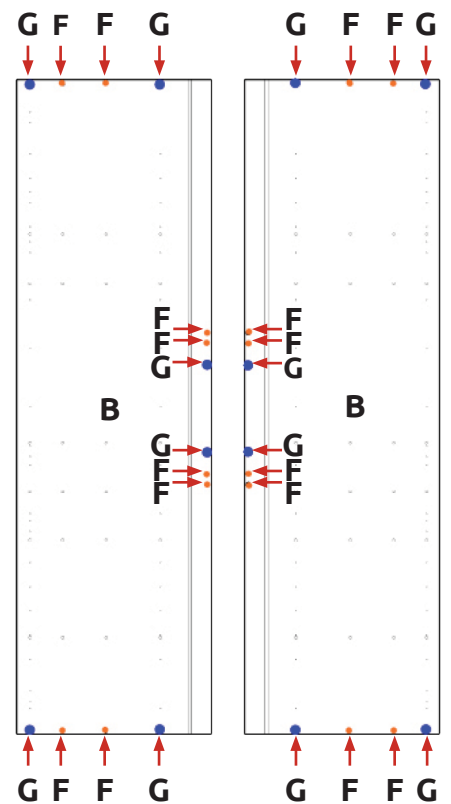
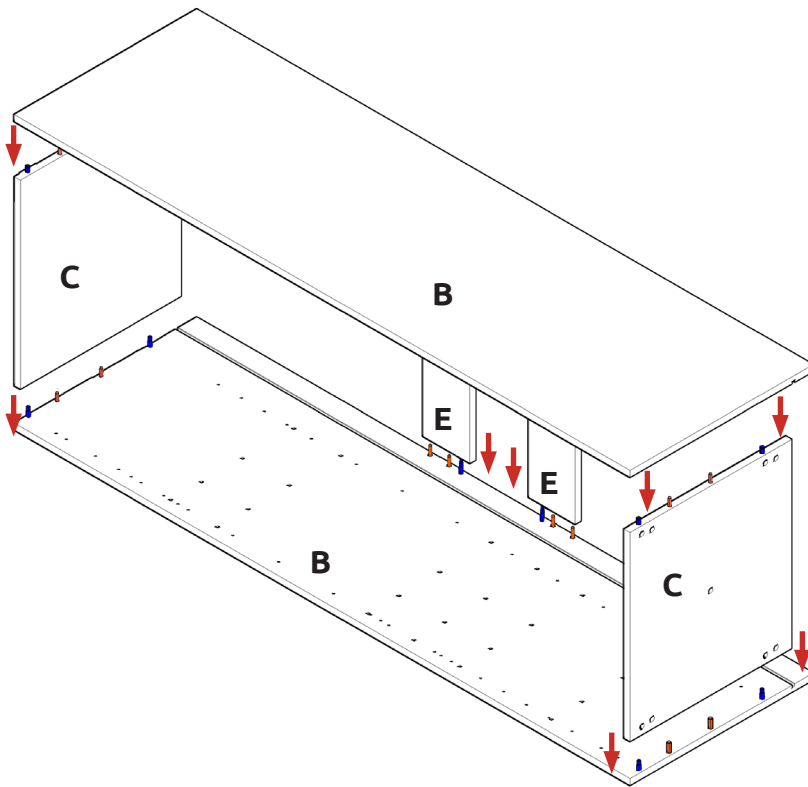
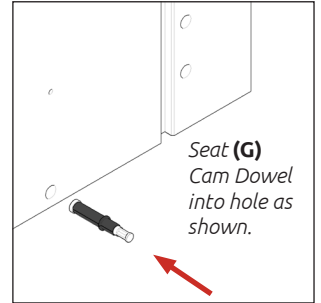
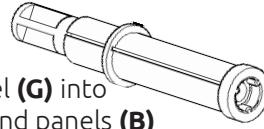
Step 1.

Seat dowel (F) into holes in both end panels (B) as shown.



Step 2.

Seat cam dowel (G) into holes in both end panels (B) as shown.



DOWEL (F) & CAM DOWEL (G) LOCATION DETAIL

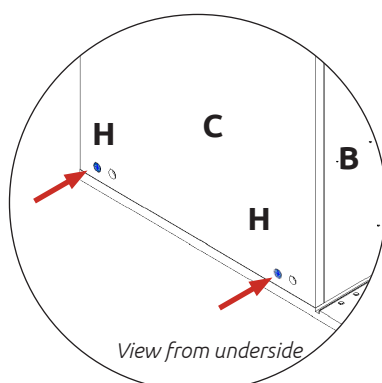
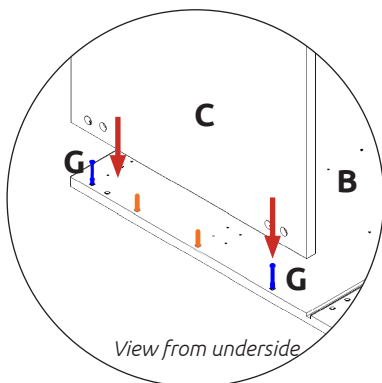
Step 3.

Attach panels (C) and (E) to panels (B), using cam dowel (G) and also using Dowels (F) (in orange) in positions as shown.



NB. All cam lock (H) are to be positioned facing the outside of the unit carcass, for ease of tightening.

Do **not** use power tools with cam dowel (G) or cam lock (H)



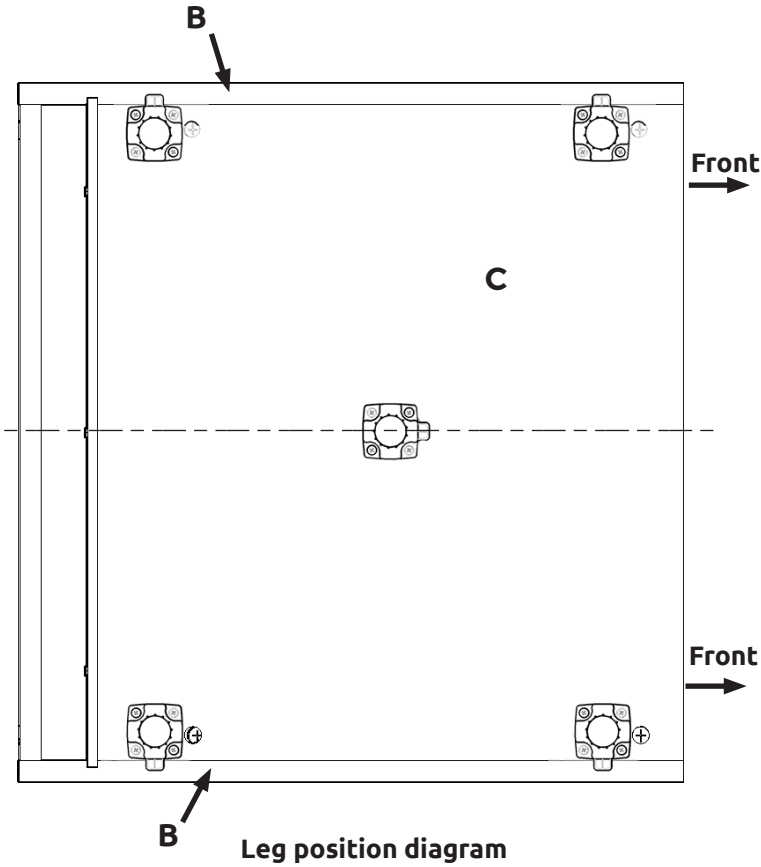
Step 4.

Insert cam lock (H). Do NOT tighten until Step 6.



TOWER UNIT

600 2 Door Fridge / Freezer Assembly Guide

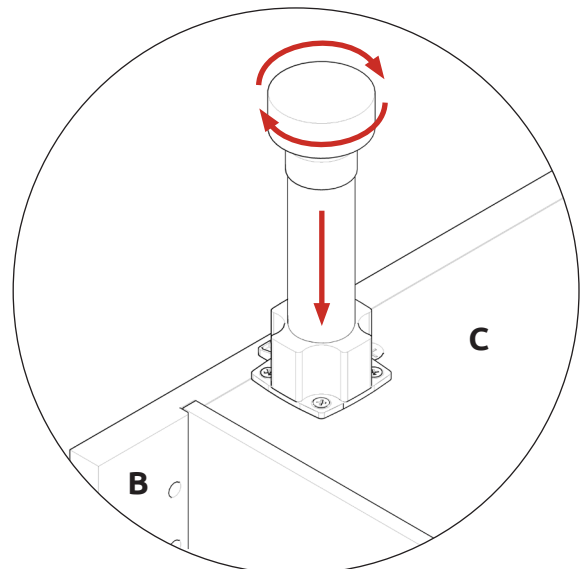
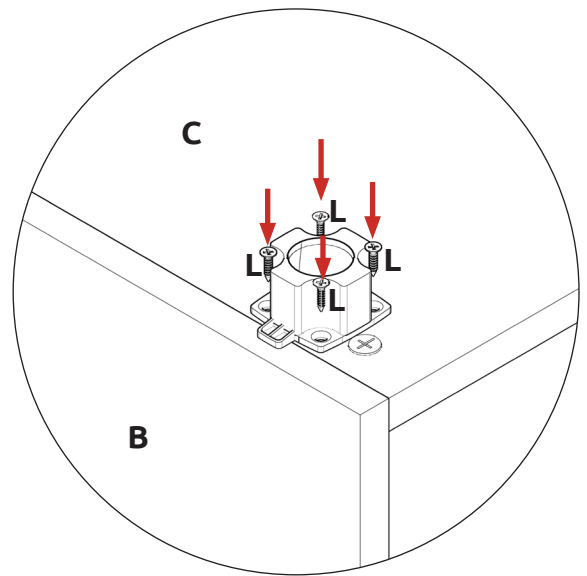


Step 5.

Position legs as shown. Ensure legs are rotated to also provide support to the end panels (**B**).

Step 6.

Secure each of the legs into place with 4 x 15mm screws (**L**) per leg.



Step 7.

Push leg firmly down into leg base. Adjust legs to 155mm before turning unit upright. Once in situ level accordingly.



It is **important** to lift unit onto its legs. Do not tilt as depicted in image.

Step 8.

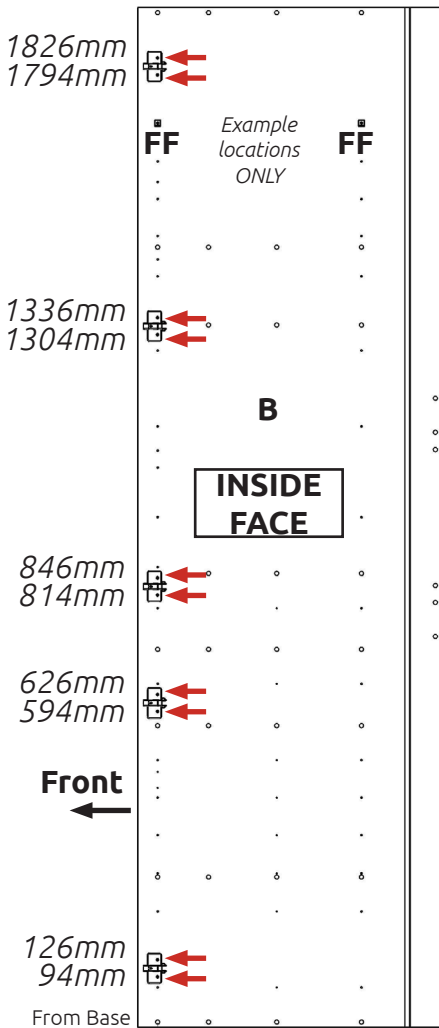
Attach hinge plates onto end panels **(B)** to suit as shown using 2 x screws already located in hinge plates.

Hinge side or sides to be mounted in accordance to Customer Specific Kitchen Plan.

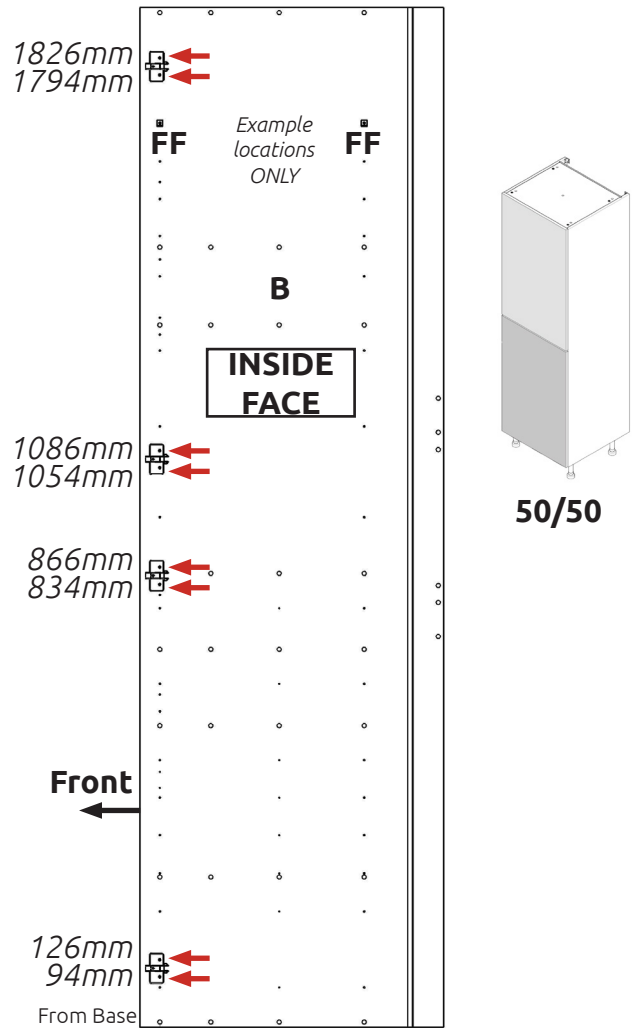
N.B.

For appliance shelf, secure to panel **(B)** using 4 x brackets SML **(FF)** locate according to customer appliance requirements.

**70/30
HINGE
POSITION**



**50/50
HINGE
POSITION**



TOWER UNIT

600 2 Door Fridge / Freezer Assembly Guide

Step 8.

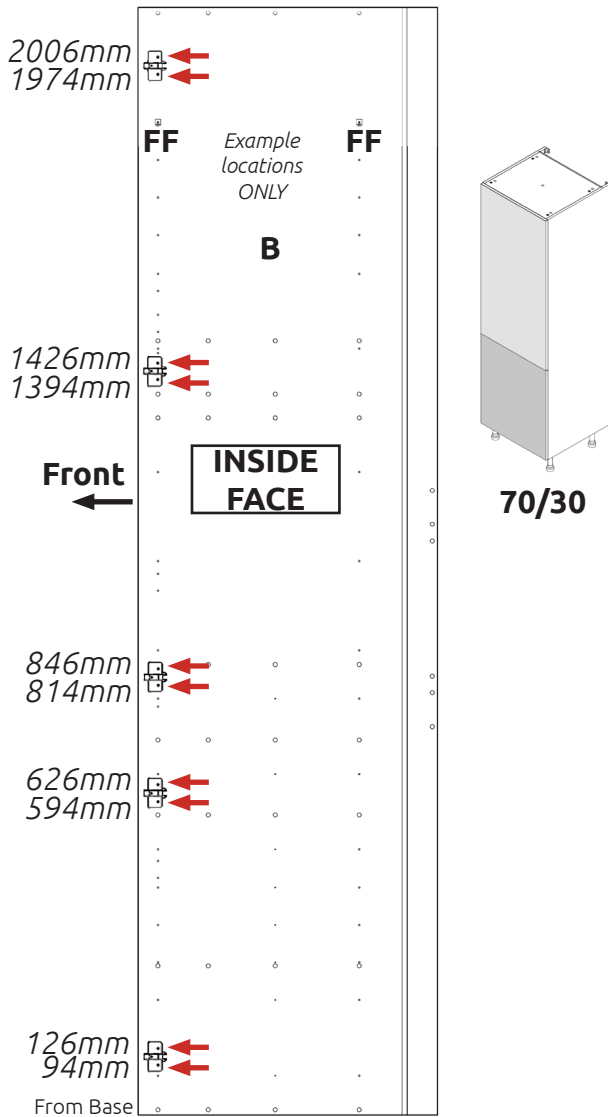
Attach hinge plates onto end panels (B) to suit as shown using 2 x screws already located in hinge plates.

Hinge side or sides to be mounted in accordance to Customer Specific Kitchen Plan.

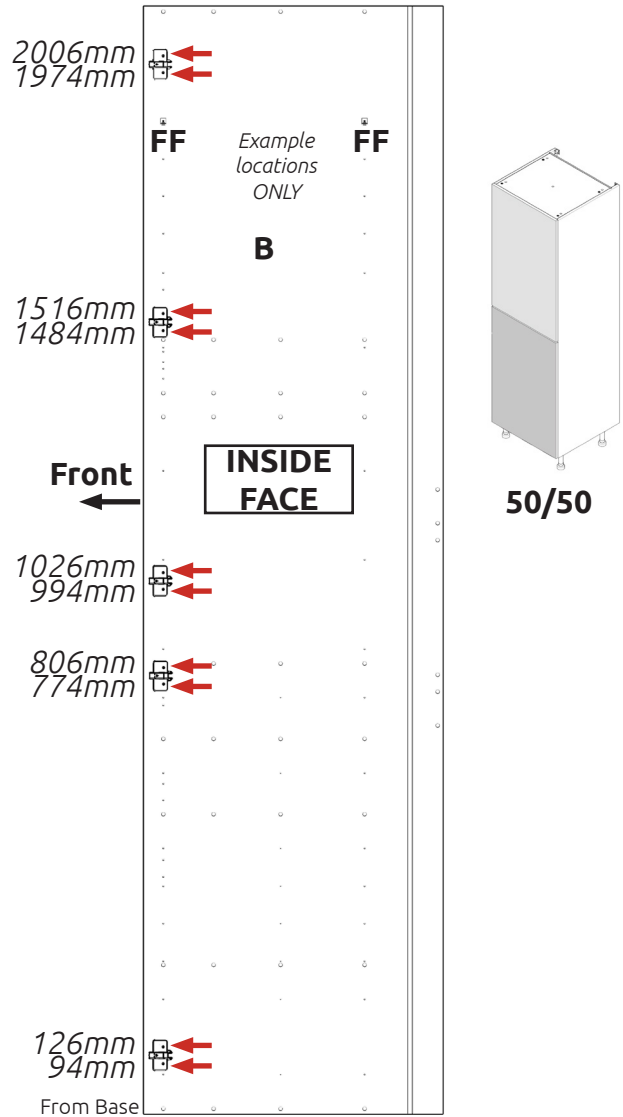
N.B.

For appliance shelf, secure to panel (B) using 4 x brackets SML (FF) locate according to customer appliance requirements.

70/30 HINGE POSITION



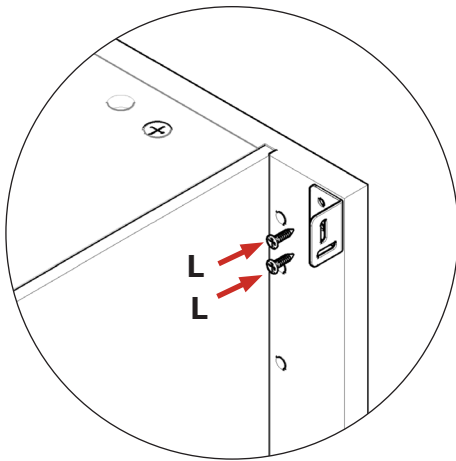
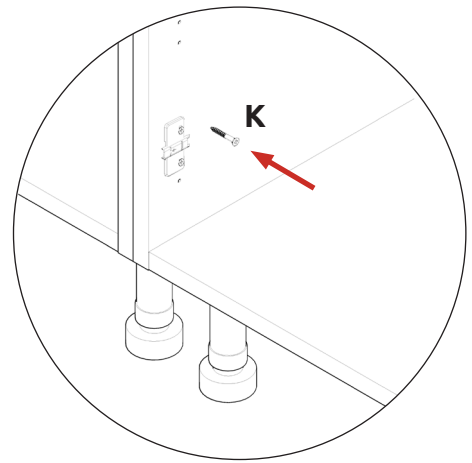
50/50 HINGE POSITION





Screws for attaching to walls are not provided as these vary depending on materials, thickness and construction. Ensure appropriate fixings for wall construction are used.

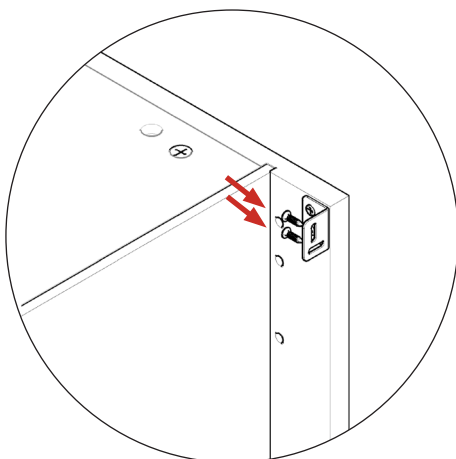
Screw into any side units using the 30mm screws (**K**) provided to secure to unit.
Screw just to the rear of the hinge mounting plates, at the top and bottom of both sides of the unit, place cover caps (**M**) on the head to conceal it.



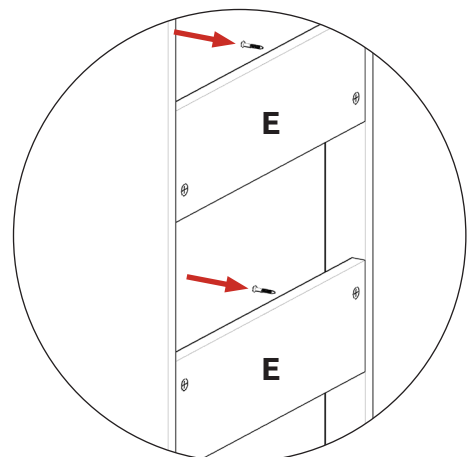
Secure tower to the wall using L brackets LGE.

Use 2 x 15mm screws (**L**) to secure each of the L brackets to the unit at either side.

Then screw through into the wall as shown.

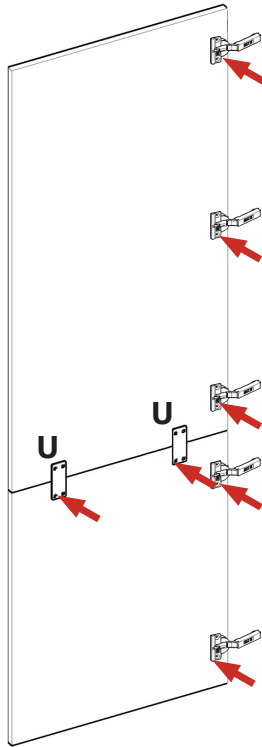


Secure tower to the wall using screws through rail panel (**E**) into the wall as shown.



TOWER UNIT

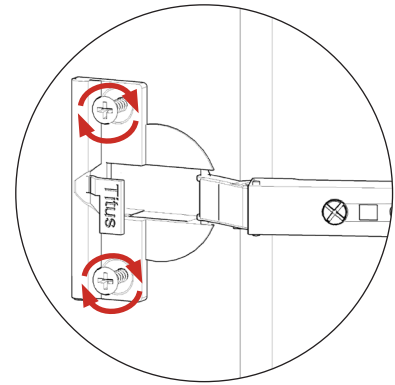
600 2 Door Fridge / Freezer Assembly Guide



See Customer Specific Kitchen Plan For Tower Frontals

Step 9.
Insert hinge where required in holes as shown.

Step 10.
Secure hinges by tightening 2 x screws with hinge dowels attached. These are already positioned within the hinges.



Step 11.
Align frontals to join together using 2 x fixing plates (U) to the back of both frontals ensure a 4mm gap is maintained between each frontal once fixed together. Screw in place using 4 x 15mm screws (L) per fixing plate.

Step 12.
Adjust hinge to suit. As shown below.

FRONTAL HINGE ADJUSTMENT

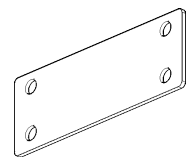
To **adjust** hinge using a screw driver, tighten or loosen as required at points **1** & **2**.
Point **1** - In - Out
Point **2** - Left - Right

To **Move** the hinge up/down, loosen screws A + B, Manoeuvre the door, then re-tighten the screws

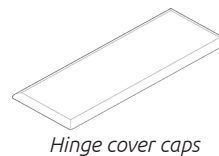
To **Release** door Pull catch as shown, to release hinge from the hinge plate.

View from Inside of unit

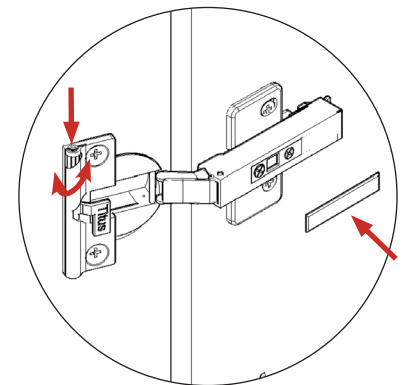
Step 13.
Fit cover caps to hinge. Adjust Soft close to suit.



Fixing plates



Hinge cover caps



The top and bottom hinges **MUST** be adjusted to the **SAME STRENGTH.**