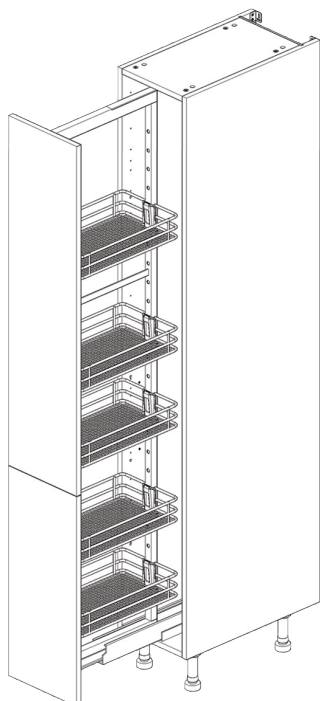


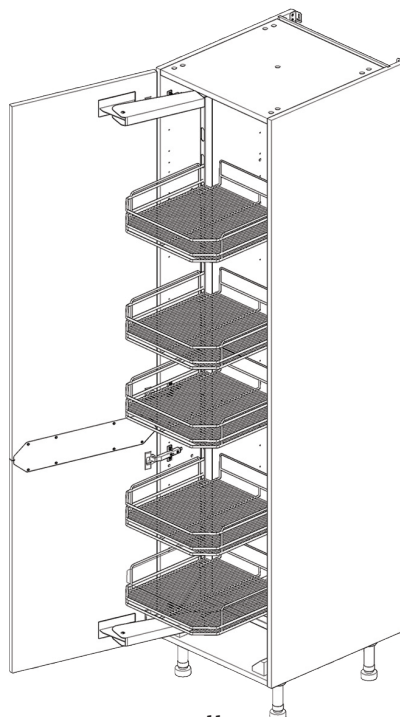
Vogue

TOWER UNIT

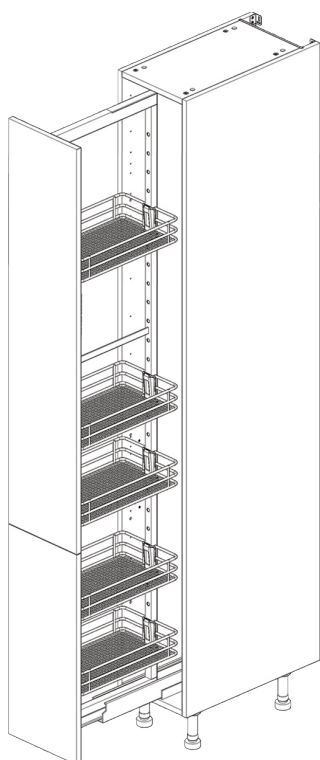
300 - 600 Pull out Swing Assembly Guide



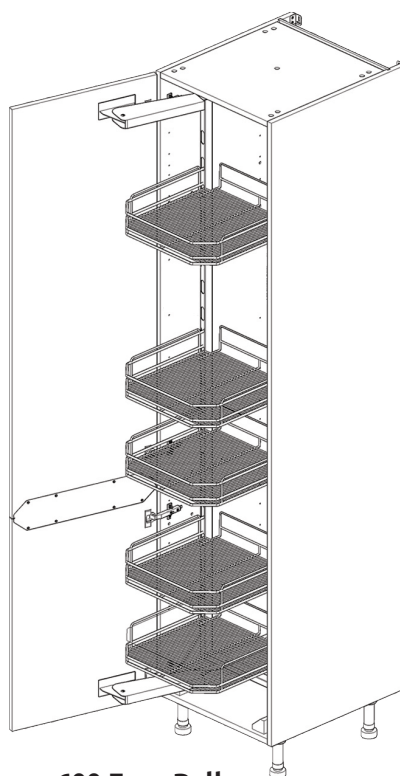
**300 Pull Out
2070**



**600 Easy Pull
Out Swing
2070**



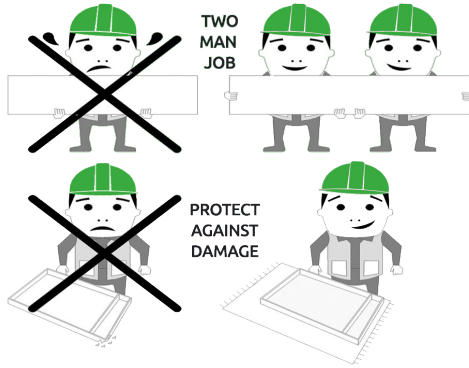
**300 Pull Out
2250 Tall**



**600 Easy Pull
Out Swing
2250 Tall**

TOWER UNIT

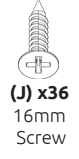
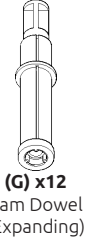
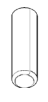
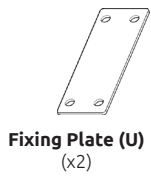
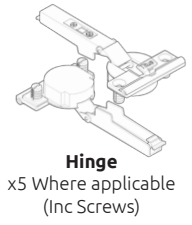
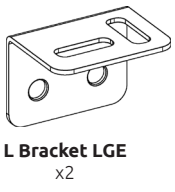
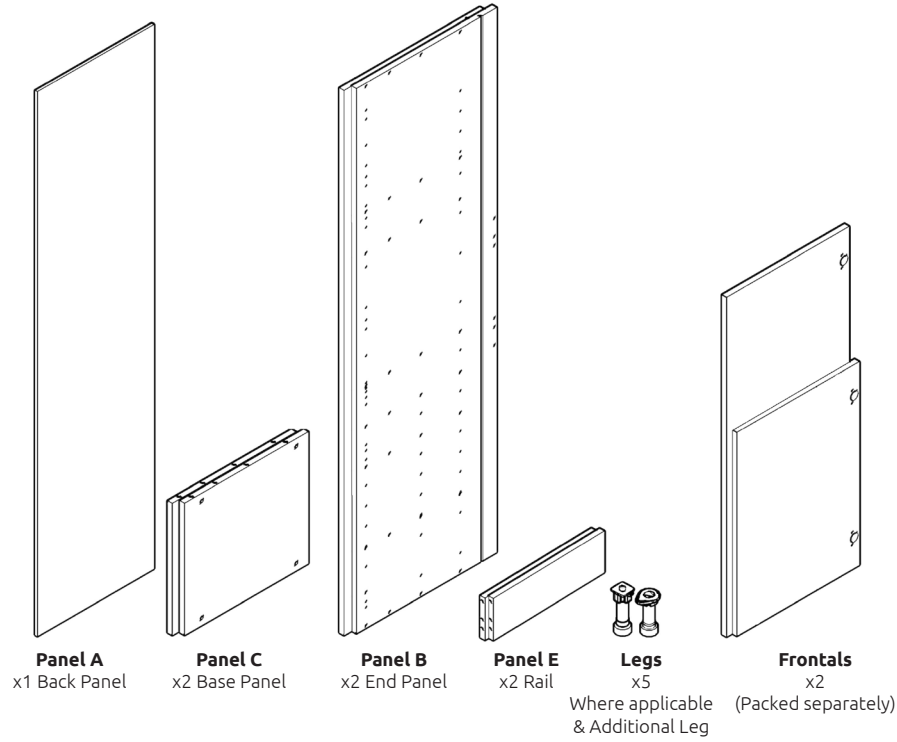
300 - 600 Pull out Swing Assembly Guide



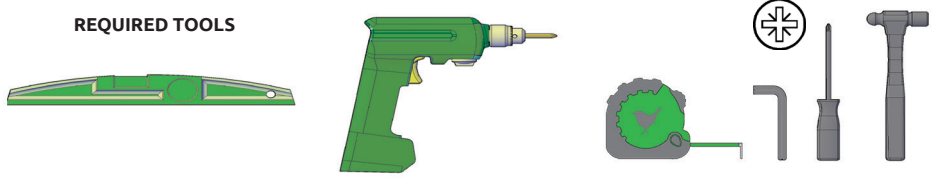
BEFORE YOU START

INSTALLATION SHOULD BE PERFORMED BY A COMPETENT PERSON ONLY.

THIS PRODUCT COULD BE DANGEROUS IF INCORRECTLY INSTALLED



REQUIRED TOOLS



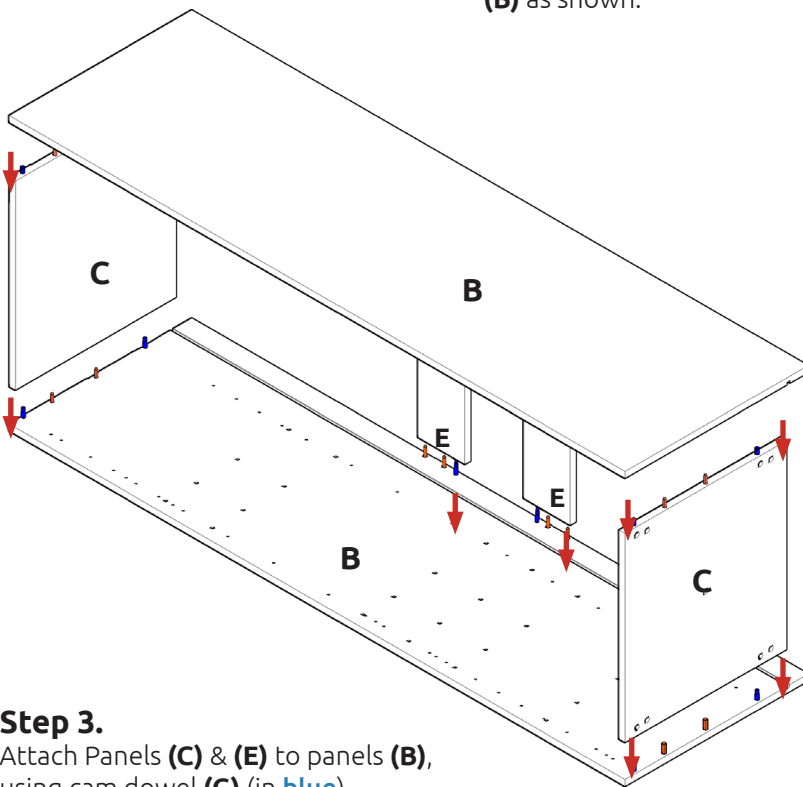
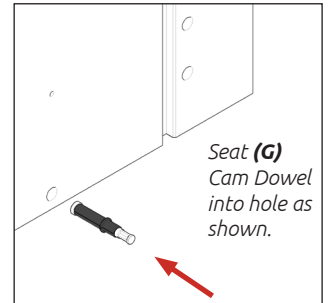


Step 1.

Seat dowel (F) into holes in both end panels (B) as shown.

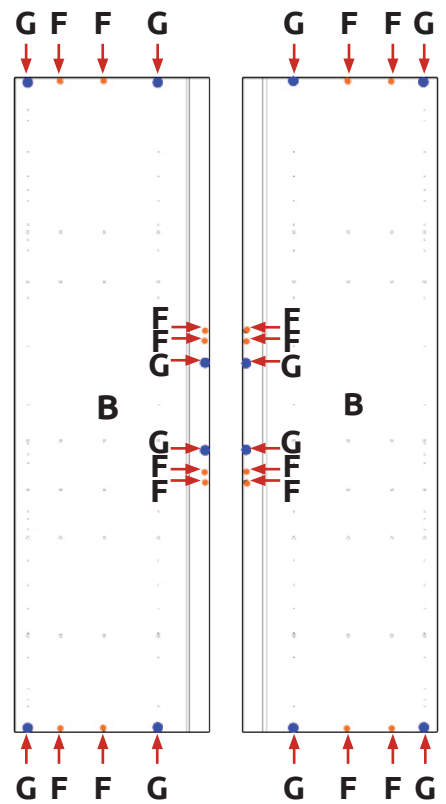
Step 2.

Seat cam dowel (G) into holes in both end panels (B) as shown.



Step 3.

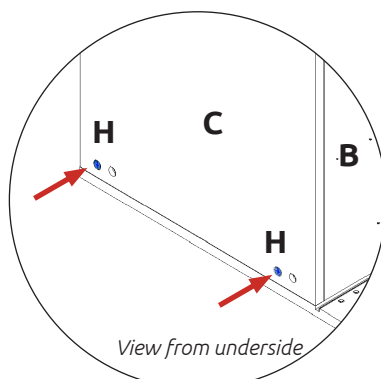
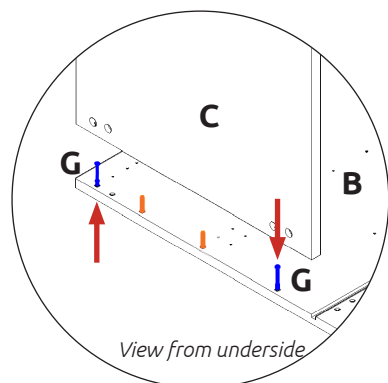
Attach Panels (C) & (E) to panels (B), using cam dowel (G) (in blue), and also using dowels (F) (in orange) in positions as shown.



**DOWEL (F)
& CAM DOWEL (G)
LOCATION DETAIL**



NB. All Cam Locks (H) are to be positioned facing the outside of the unit carcass, for ease of tightening.



Do **not** use power tools with cam dowel (G) or cam lock (H)



Step 4.

Insert cam lock (H). Do NOT tighten until Step 6.

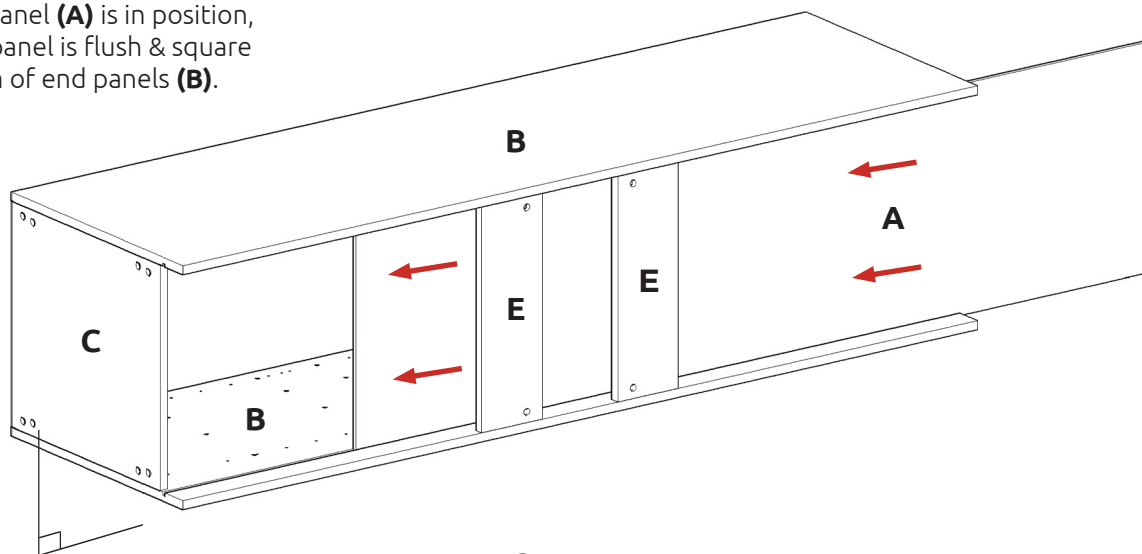
TOWER UNIT

300 - 600 Pull out Swing Assembly Guide

Step 5.

Slide back panel (A) into groove of end panels (B).

Once back panel (A) is in position, ensure the panel is flush & square with bottom of end panels (B).



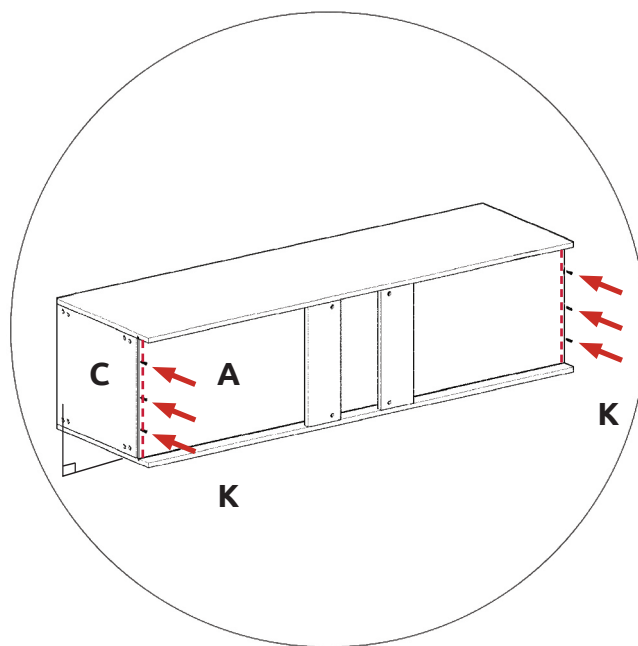
Step 6.

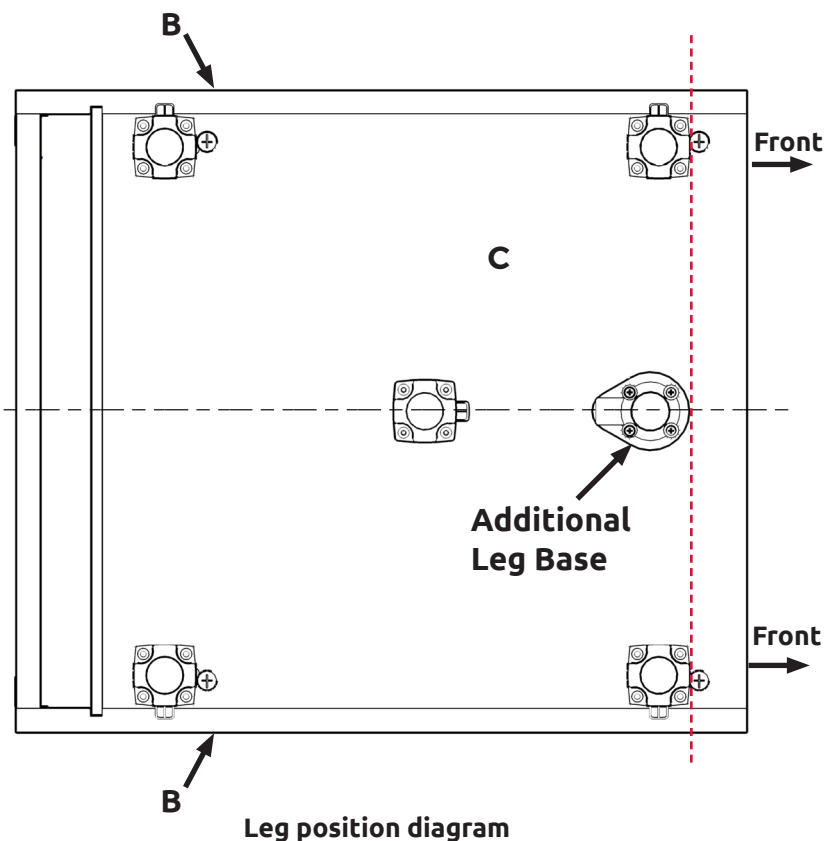
Hand tighten all cam locks (H), this will expand cam dowels (G) and tighten the unit together.

Step 7.

Ensure unit is square. Secure back panel (A) with 6 x 30mm screws (K) equally spaced at the top and bottom of back panel (A) into base panels (C), as shown.

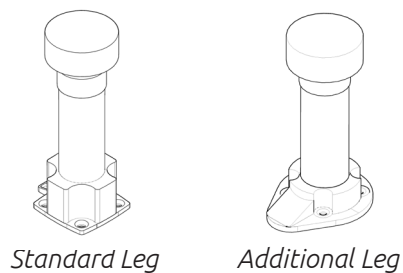
Ensure you screw into the Centre of Base Panel (C) (9mm from bottom edge).





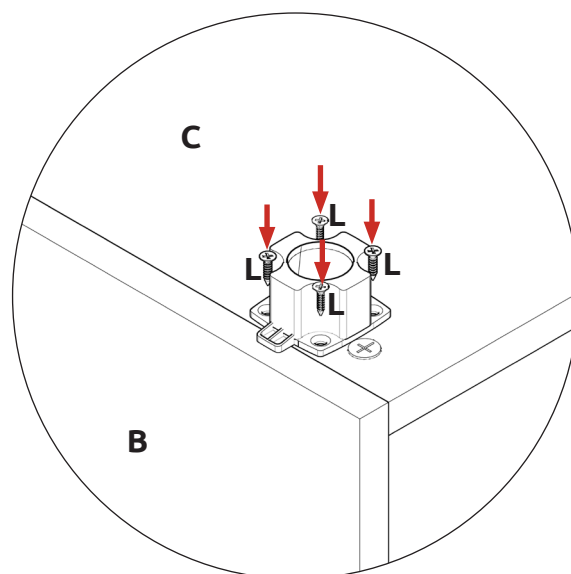
Step 8.

Position legs as shown. Ensure legs are rotated to also provide support to the end panels (**B**).



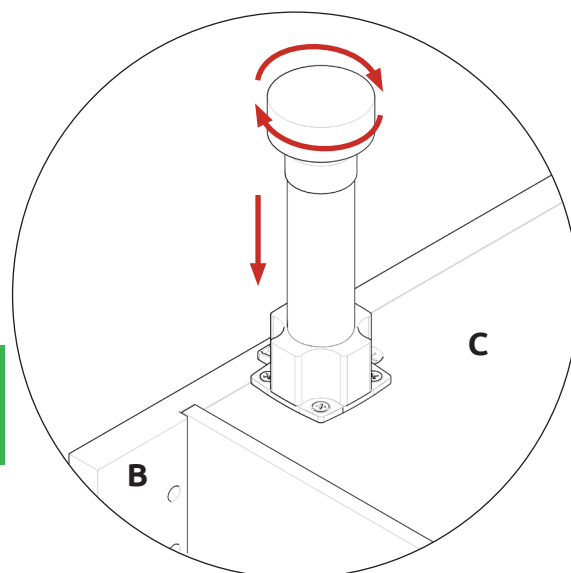
Step 9.

Secure each of the legs into place with 4 x 15mm screws (**L**) per leg.



Step 10.

Push leg firmly down into leg base. Adjust legs to 155mm before turning unit upright. Once in situ level accordingly.



It is **important** to lift unit onto its legs. Do not tilt as depicted in image.

TOWER UNIT

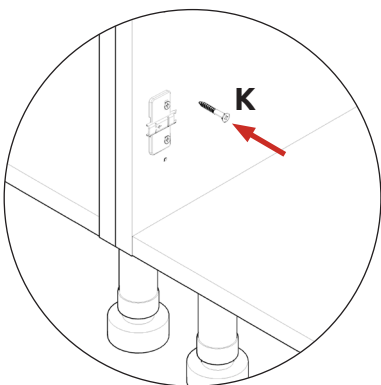
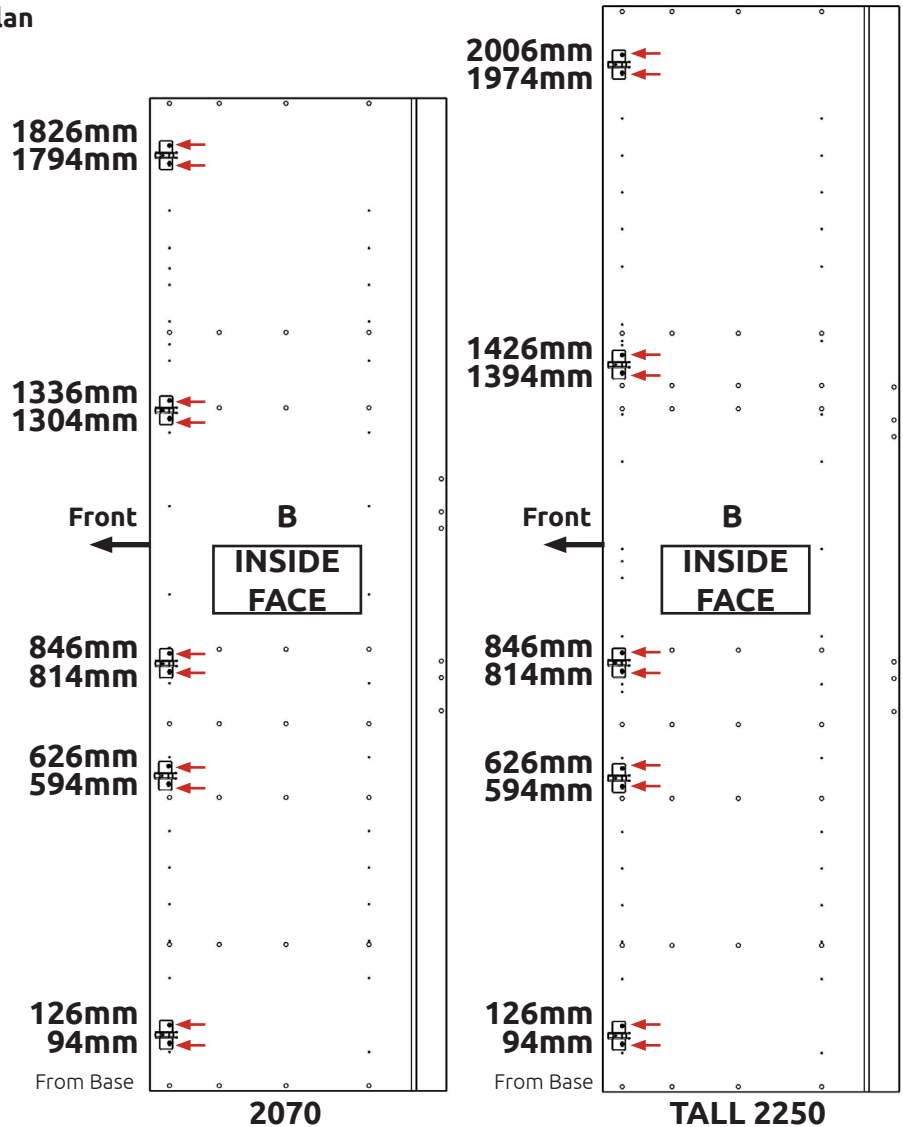
300 - 600 Pull out Swing Assembly Guide

See Customer Specific Kitchen Plan
For Tower Frontals

Step 11.

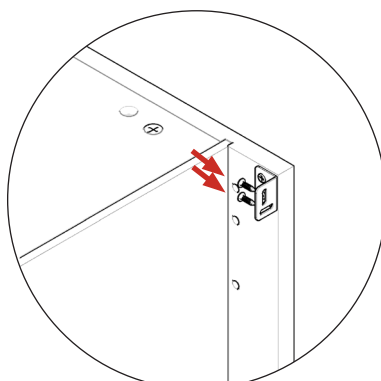
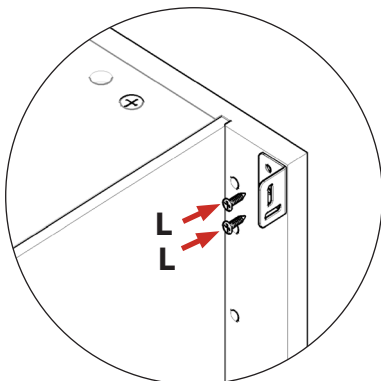
(Not required for 300).
Attach hinge plates onto end panels
(B) to suit as shown using 2 x screws
already located in the hinge plate.

Hinge side or sides to be mounted
in accordance to Customer
Specific Kitchen Plan.



Securing to Adjacent Units

Screw into any side units using the 30mm screws (K) provided to secure to unit. Screw just to the rear of the hinge mounting plate, at the top and bottom of both sides of the unit, place a cover cap on the head to conceal it.

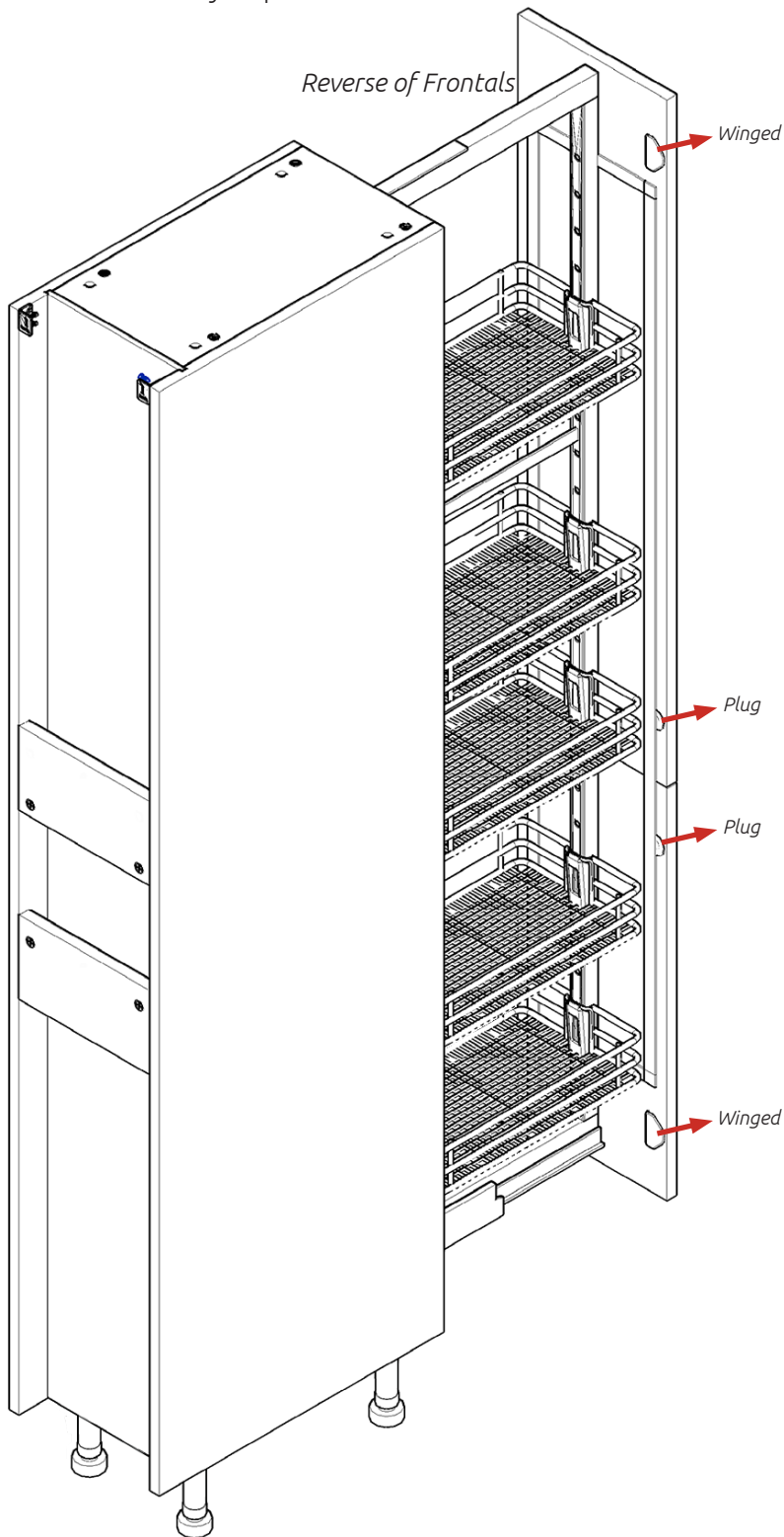


Secure tower to the wall using L brackets LGE. Use 2 x 15mm screws (L) to secure each of the L brackets LGE to the unit at either side. Then screw through into the wall as shown.

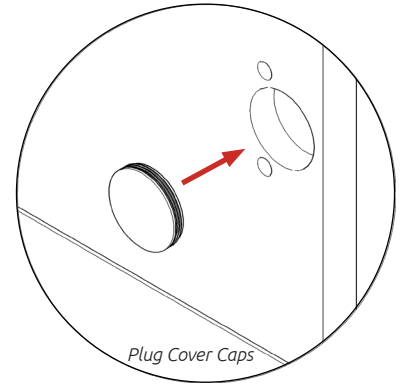
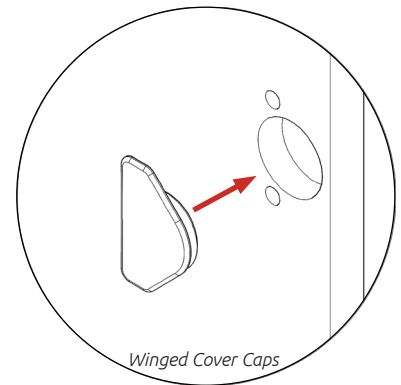
Screws for fixing to walls are not provided as these vary depending on your wall material and construction. Ensure appropriate fixings for wall constructions are used.

300 Pull Out

Please refer to separate instructions included with your pull out. Then no further assembly steps are needed.



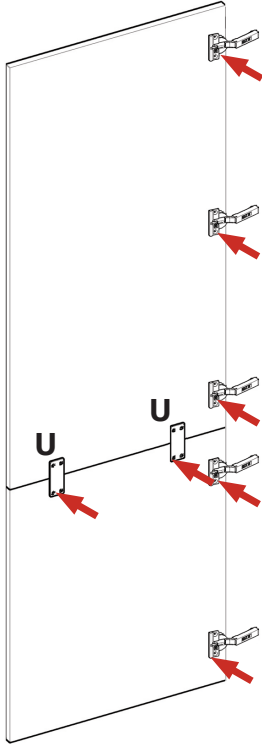
Insert cover caps as shown.



Repeat on other side for Handleless Frontals

TOWER UNIT

300 - 600 Pull out Swing Assembly Guide

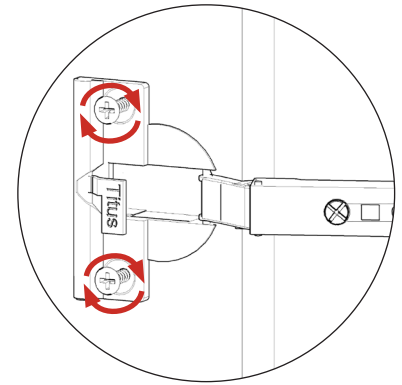


Step 12.

Insert hinge where required in holes as shown.

Step 13.

Secure hinges by tightening 2 x screws with hinge dowels attached. These are already positioned within the hinges.

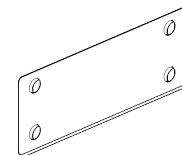


Step 14.

Align doors to join together using 2 x fixing plates (U) to the back of both frontals ensure a 4mm gap is maintained between each frontal once fixed together. Screw in place using 4 x 15mm screws per fixing plate.

Step 15.

Adjust hinge to suit. As shown below.



Fixing plates

FRONTAL HINGE ADJUSTMENT

To **adjust** hinge using a screw driver, tighten or loosen as required at points **1** & **2**.
Point **1** - In - Out
Point **2** - Left - Right

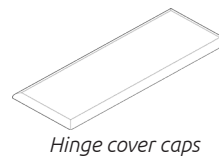
To **Move** the hinge up/down, loosen screws A + B, Manoeuvre the door, then re-tighten the screws

To **Release** door Pull catch as shown, to release hinge from the hinge plate.

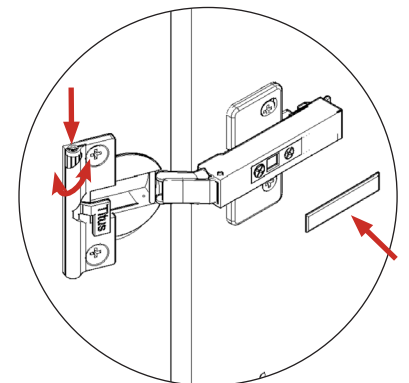
View from Inside of unit

Step 16.

Fit cover caps to hinge. Adjust Soft close to suit.



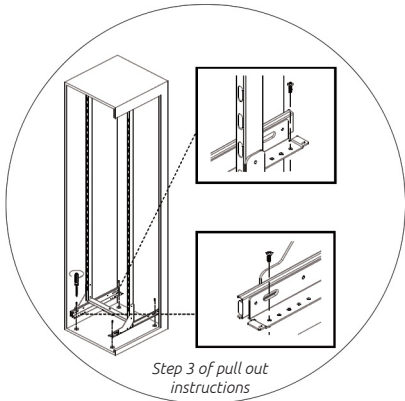
Hinge cover caps



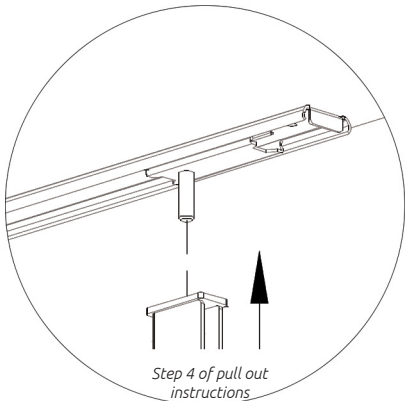
The top and bottom hinges **MUST** be adjusted to the **SAME STRENGTH.**

600 Pull & Swing

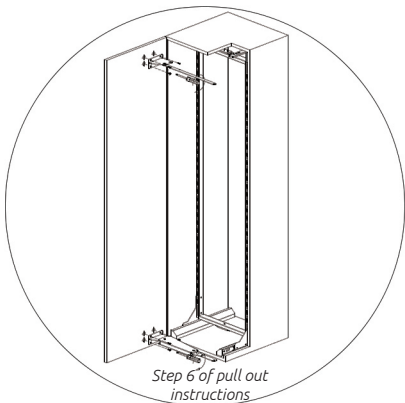
Please refer to separate instructions included with your pull out.



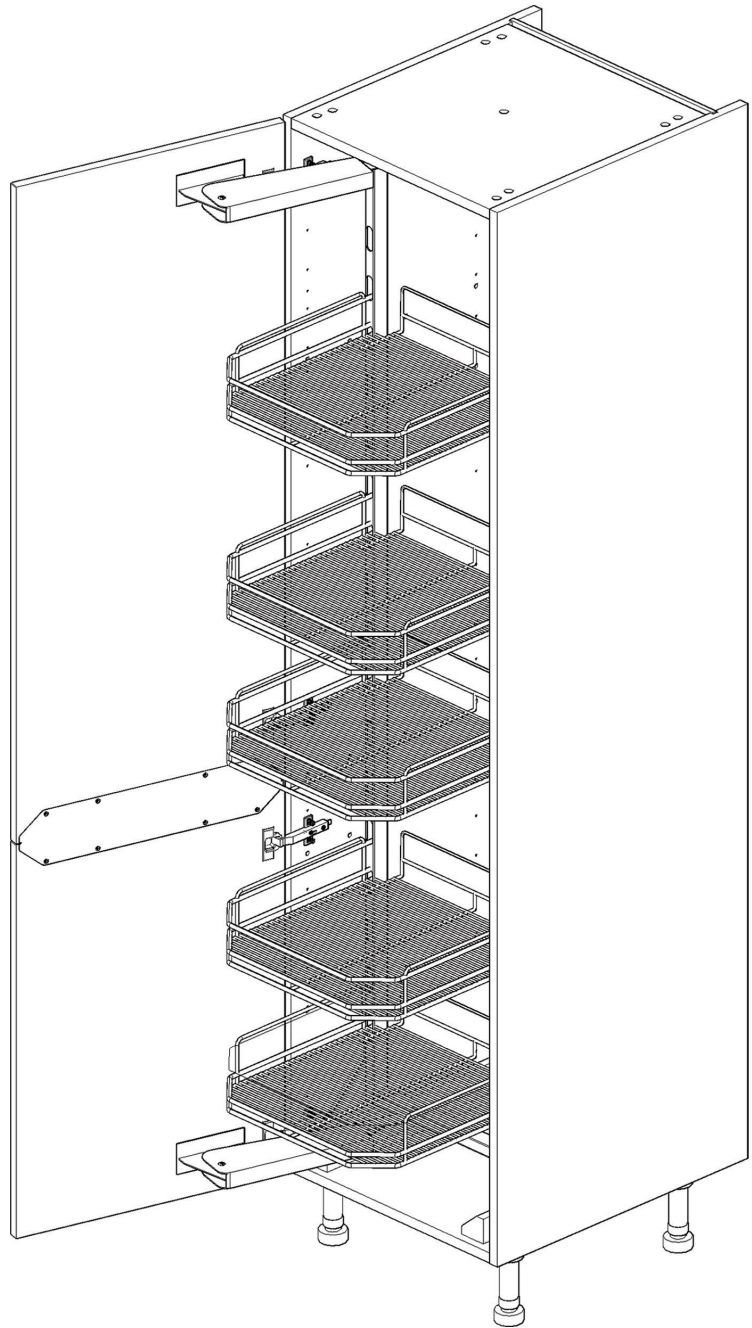
For Steps 3 of Pull Out instructions. Use (L) screws



For Steps 4 of Pull Out instructions. Use (L) screws



For Steps 6 of Pull Out instructions. Use (L) screws



Vogue

TOWER UNIT

300 - 600 Pull out Swing Assembly Guide

wren
KITCHENS