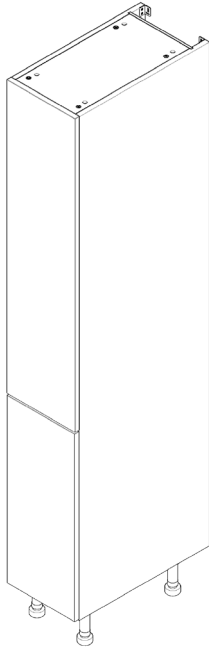


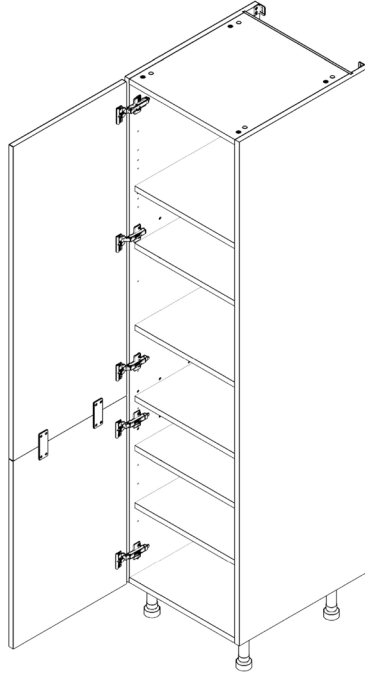
Vogue

TOWER UNIT

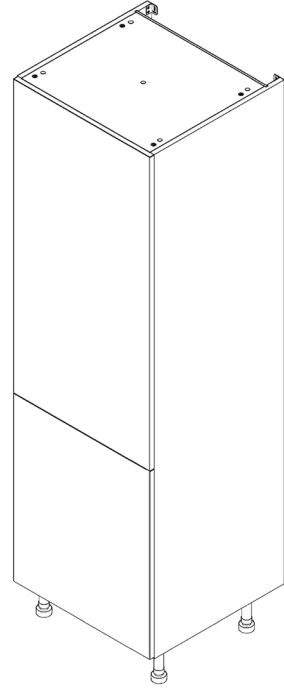
300 - 600 2 Door 6 Shelf Assembly Guide



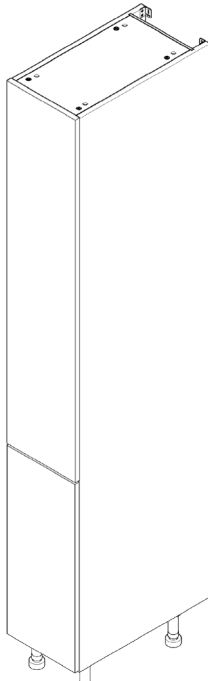
300



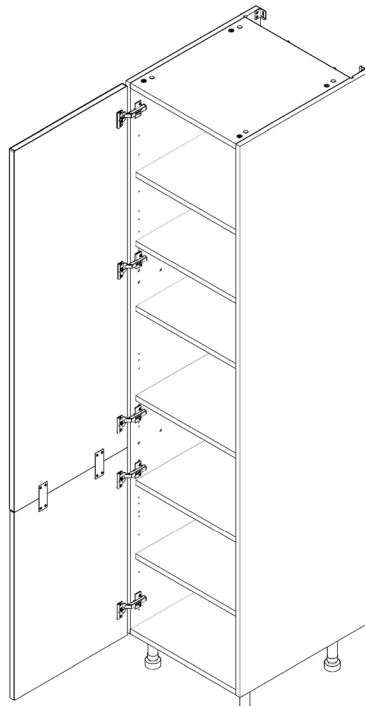
500



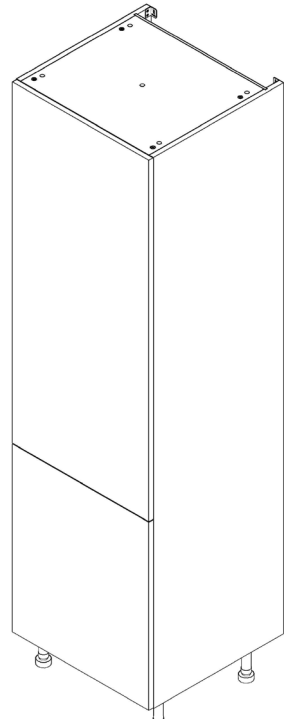
600



300
TALL



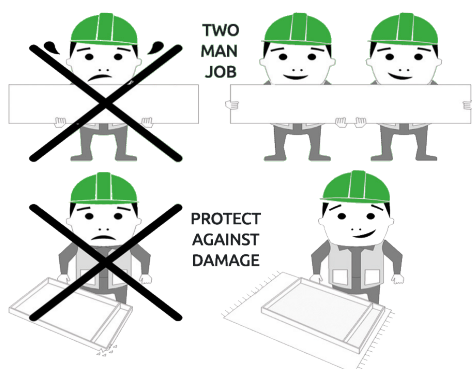
500
TALL



600
TALL

TOWER UNIT

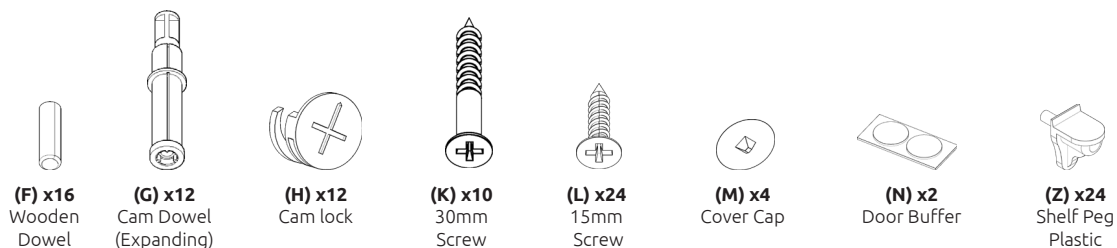
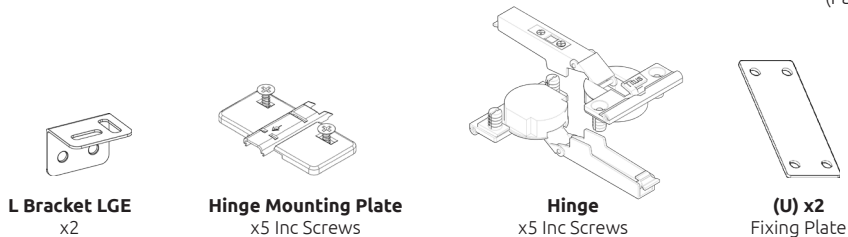
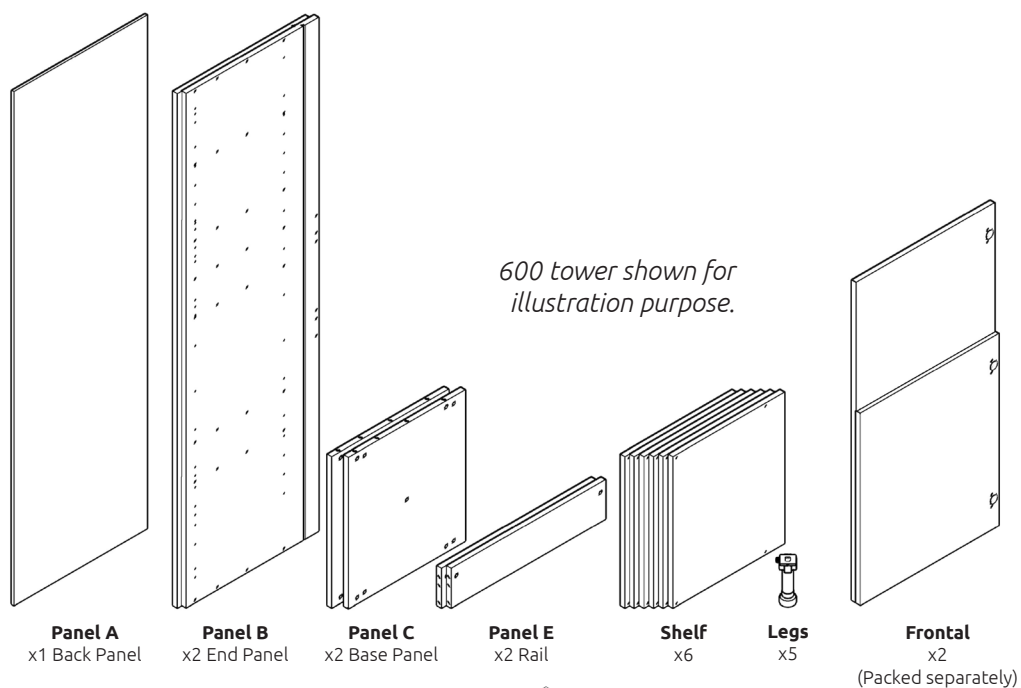
300 - 600 2 Door 6 Shelf Assembly Guide



BEFORE YOU START

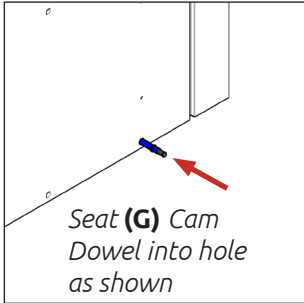
INSTALLATION SHOULD BE PERFORMED BY A COMPETENT PERSON ONLY.

THIS PRODUCT COULD BE DANGEROUS IF INCORRECTLY INSTALLED



REQUIRED TOOLS

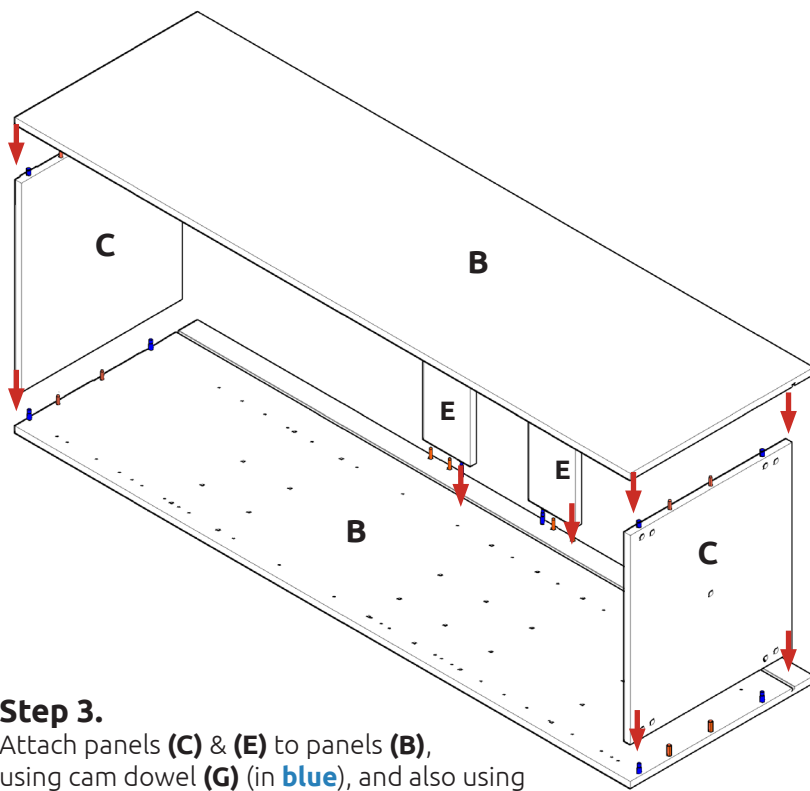
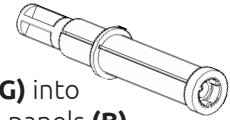




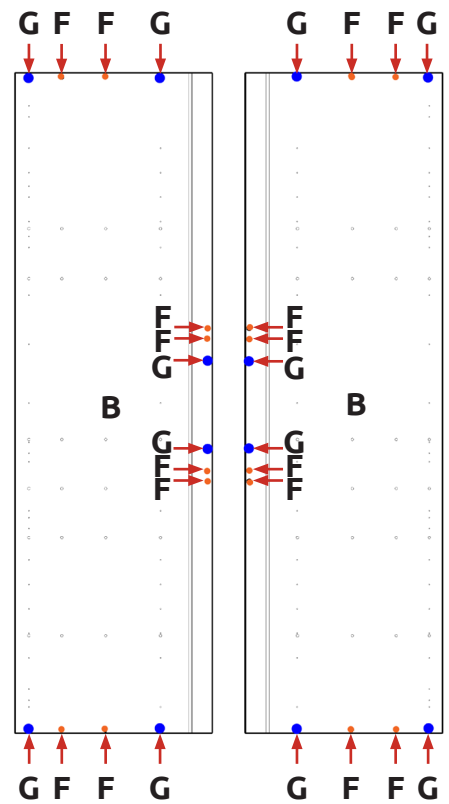
Step 1.
Seat dowel (F) into holes in both end panels (B) as shown.



Step 2.
Seat cam dowel (G) into holes in both end panels (B) as shown.



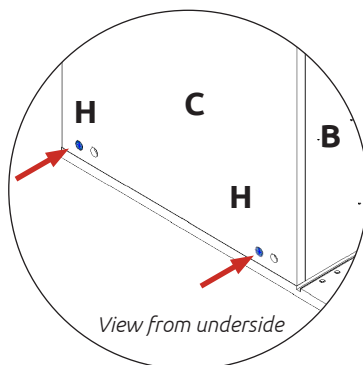
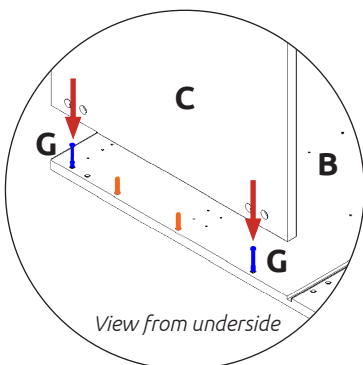
Step 3.
Attach panels (C) & (E) to panels (B), using cam dowel (G) (in blue), and also using dowels (F) (in orange) in positions as shown.



**DOWEL (F)
& CAM DOWEL (G)
LOCATION DETAIL**

! NB. All Cam Lock (H) are to be positioned facing the outside of the unit carcase, for ease of tightening.

Do **not** use power tools with cam dowel (G) or cam lock (H)

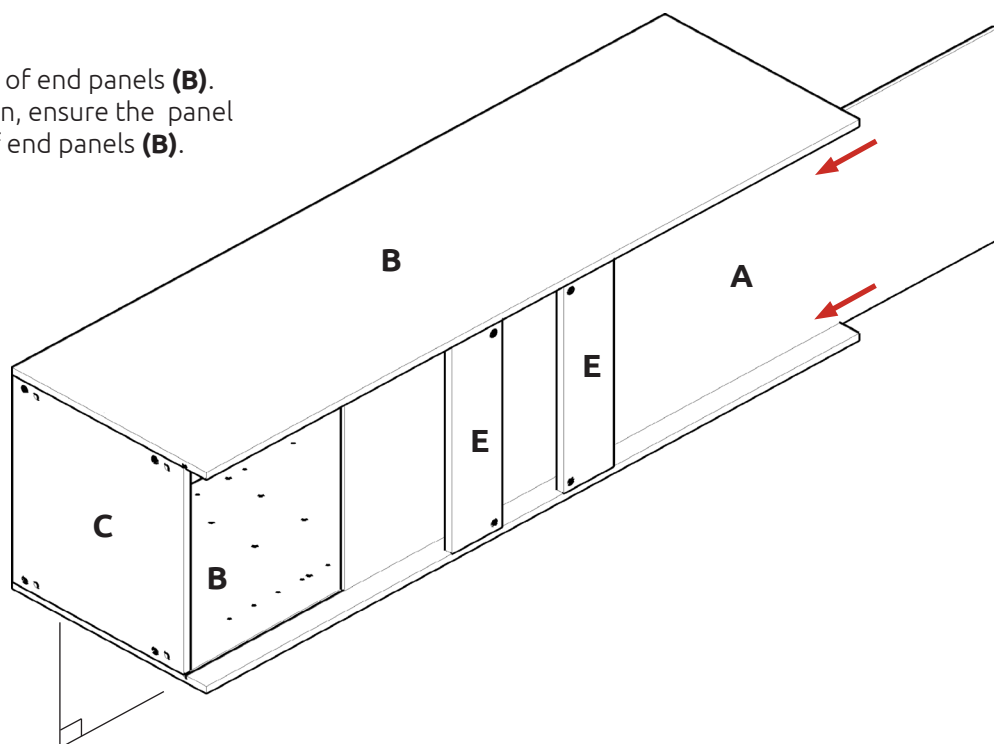


TOWER UNIT

300 - 600 2 Door 6 Shelf Assembly Guide

Step 5.

Slide back panel (A) into groove of end panels (B).
Once back panel (A) is in position, ensure the panel is flush & square with bottom of end panels (B).



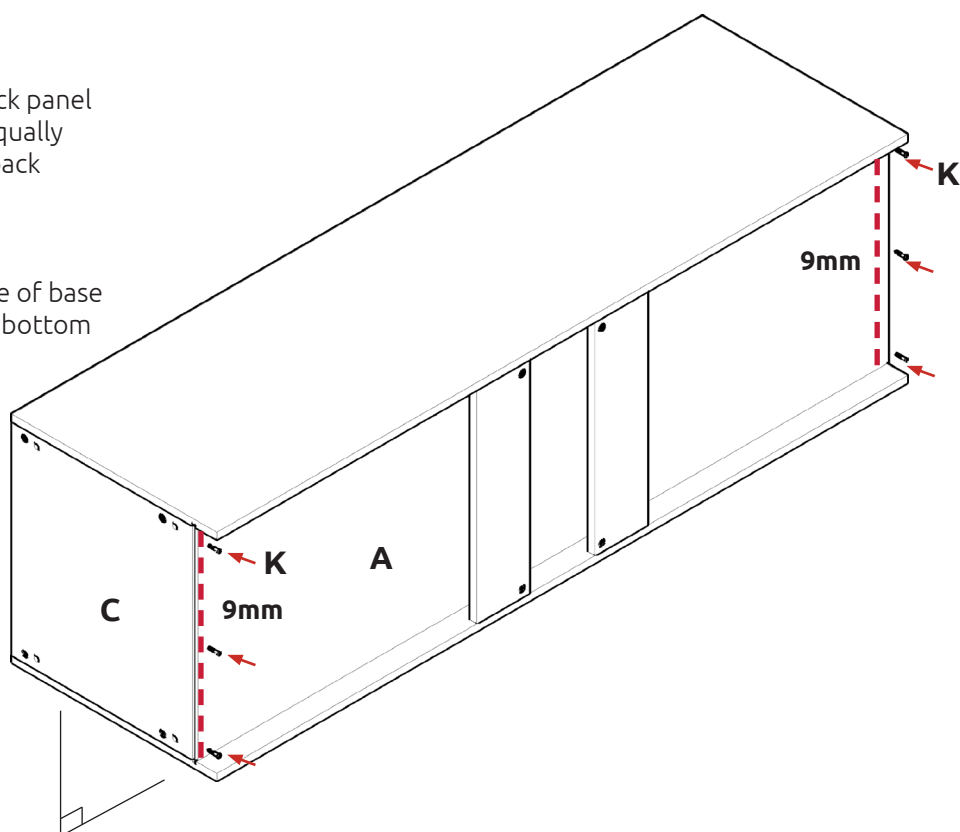
Step 6.

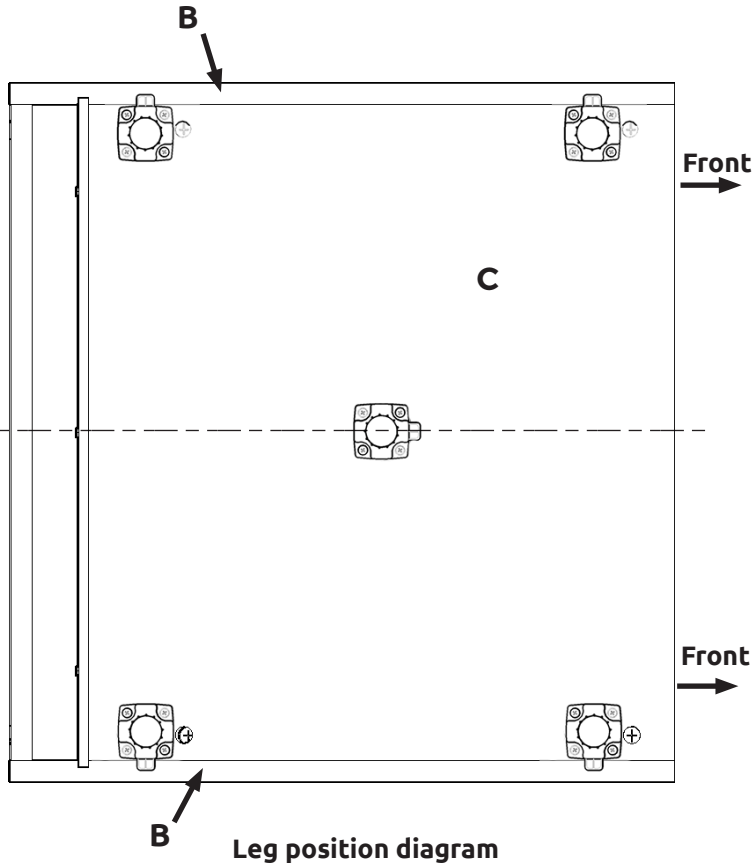
Hand tighten all cam locks (H),
this will expand cam dowels (G)
and tighten the unit together.

Step 7.

Ensure unit is square. Secure back panel (A) with 6 x 30mm screws (K) equally spaced at the top & bottom of back panels (A) into base panels (C), as shown.

Ensure you screw into the centre of base panel (C) (9mm from the top or bottom edge where applicable).



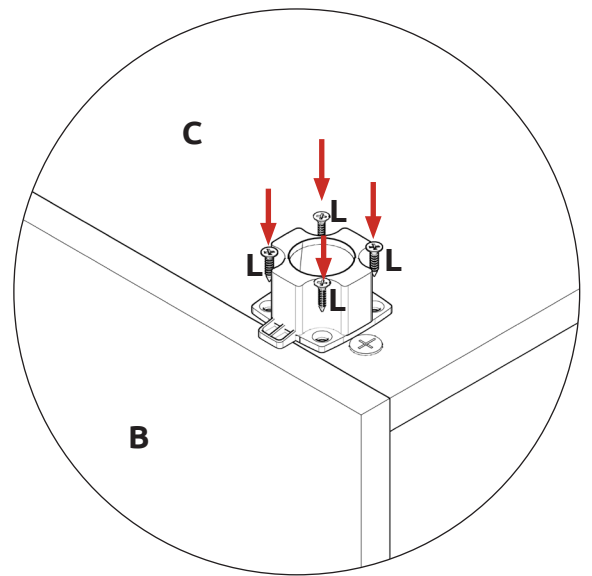


Step 8.

Position legs as shown. Ensure legs are rotated to also provide support to the end panels (**B**).

Step 9.

Secure each of the legs into place with 4 x 15mm screws (**L**) per leg.

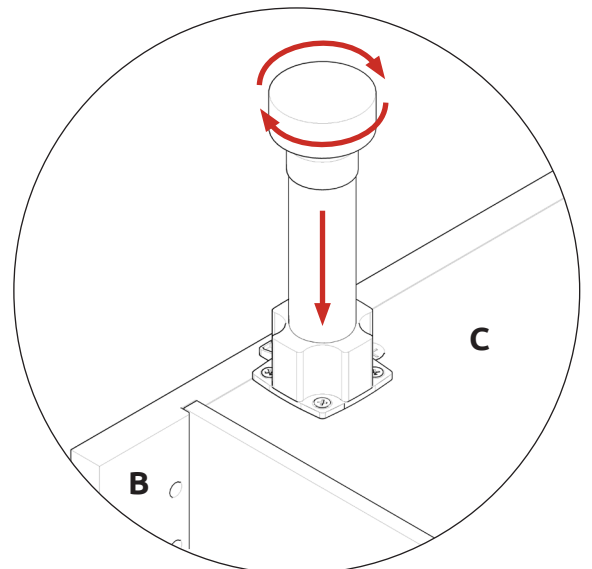


Step 10.

Push leg firmly down into leg base. Adjust legs to 155mm before turning unit upright. Once in situ level accordingly.



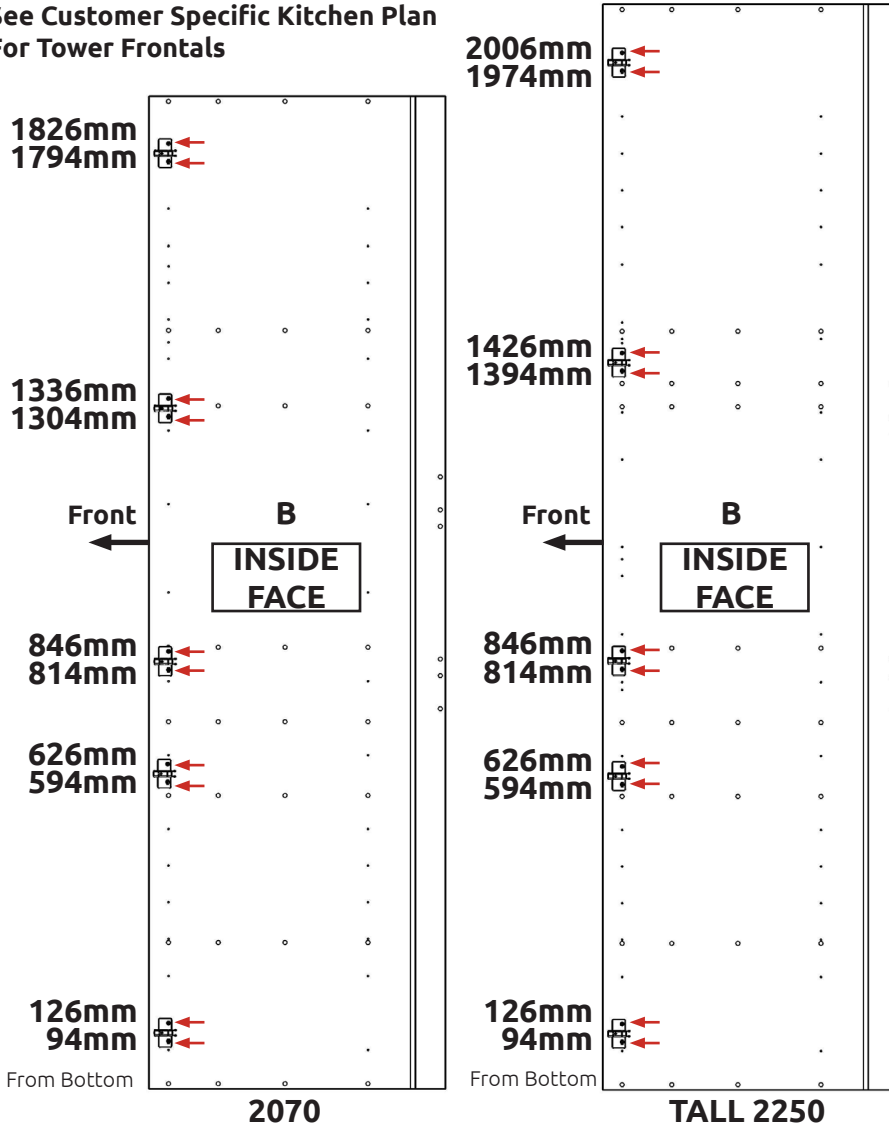
It is **important** to lift unit onto its legs. Do not tilt as depicted in image.



TOWER UNIT

300 - 600 2 Door 6 Shelf Assembly Guide

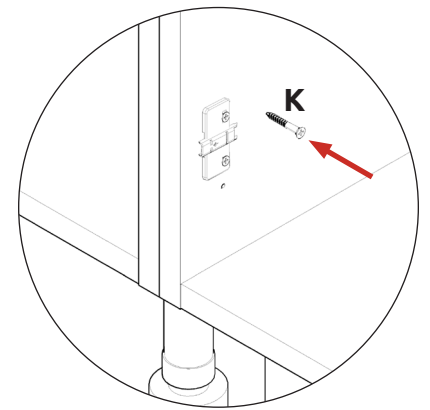
See Customer Specific Kitchen Plan
For Tower Frontals



Step 11.

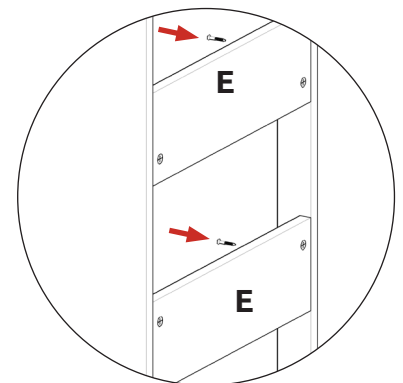
Attach hinge plates onto end panels (B) to suit as shown using 2 screws already in hinge plates.

Hinge side or sides to be mounted in accordance to Customer Specific Kitchen Plan.



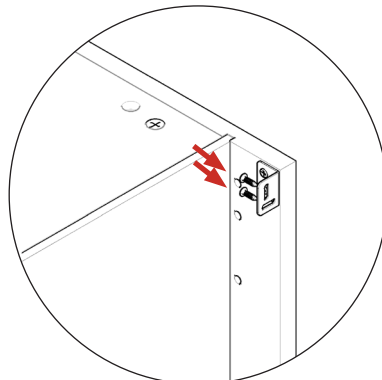
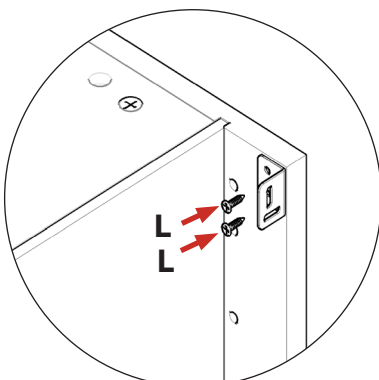
Screw into any side units using the 30mm screws (K) provided to secure to unit.

Screw just to the rear of the hinge mounting plates, at the top and bottom of both sides of the unit, place cover caps (M) on the heads to conceal it.



Secure tower to the wall using L brackets LGE. Use 2 x 15mm screws (L) to secure each of the L brackets LGE to the unit at either side. Then screw through into the wall as shown.

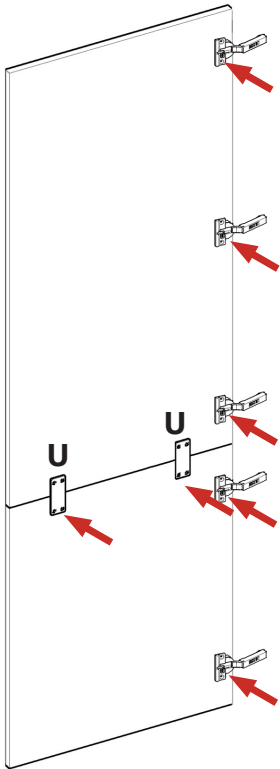
Screws for fixing to walls are not provided as these vary depending on your wall material and construction. Ensure appropriate fixings for wall constructions are used.



Secure tower to the wall using screws through rail panel (E) into the wall as shown.

Screws for fixing to walls are not provided as these vary depending on your wall material and construction. Ensure appropriate fixings for wall constructions are used.

**See Customer Specific Kitchen Plan
For Tower Frontals**

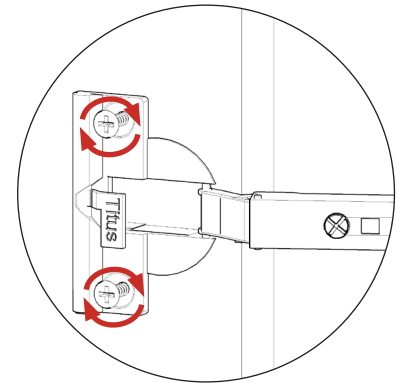


Step 12.

Insert hinge where required in holes as shown.

Step 13

Secure hinges by tightening 2 x screws with hinge dowels attached. These are already positioned within the hinges.



Step 14.

Align doors to join together using 2 x fixing plates (**U**) to the back of both frontals ensure a 4mm gap is maintained between each frontal once fixed together. Screw in place using 4 x 15mm screws (**L**) per fixing plate.

Step 15.

Adjust hinge to suit. As shown below.

FRONTAL HINGE ADJUSTMENT

To **adjust** hinge using a screw driver, tighten or loosen as required at points **1** & **2**.
Point **1** - In - Out
Point **2** - Left - Right

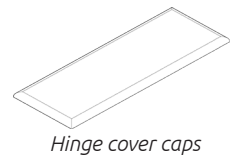
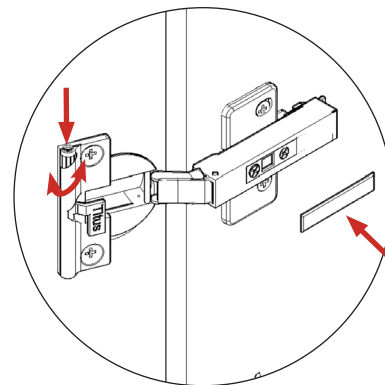
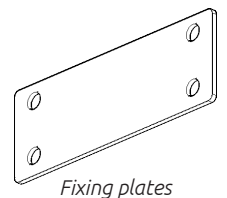
To **Move** the hinge up/down, loosen screws A + B, Manoeuvre the door, then re-tighten the screws

To **Release** door Pull catch as shown, to release hinge from the hinge plate.

View from Inside of unit

Step 16.

Fit cover caps to hinge. Adjust Soft close to suit.



The top and bottom hinges **MUST** be adjusted to the **SAME STRENGTH.**

wren
KITCHENS