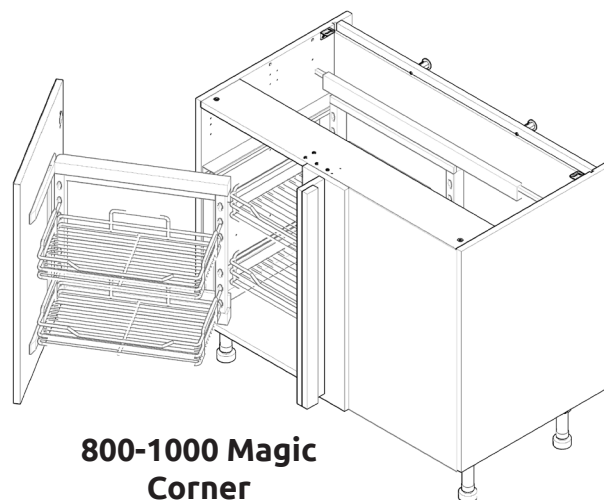
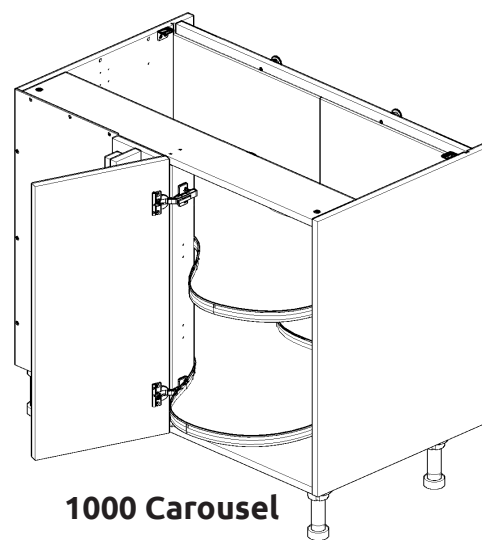
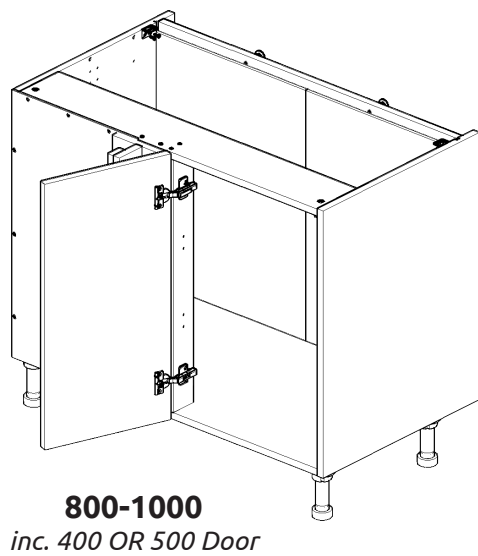
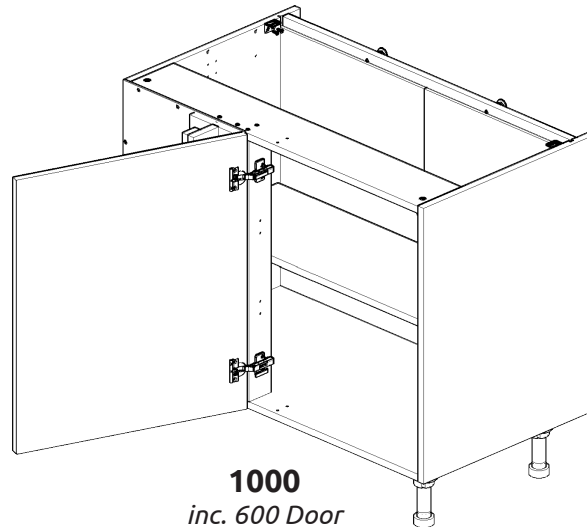


Vogue

BASE UNIT

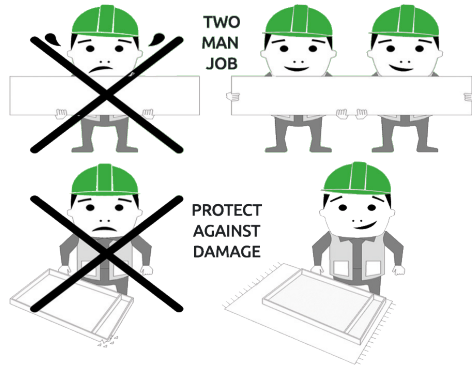
800 - 1000 Adjustable Corner Assembly Guide



Vogue

BASE UNIT

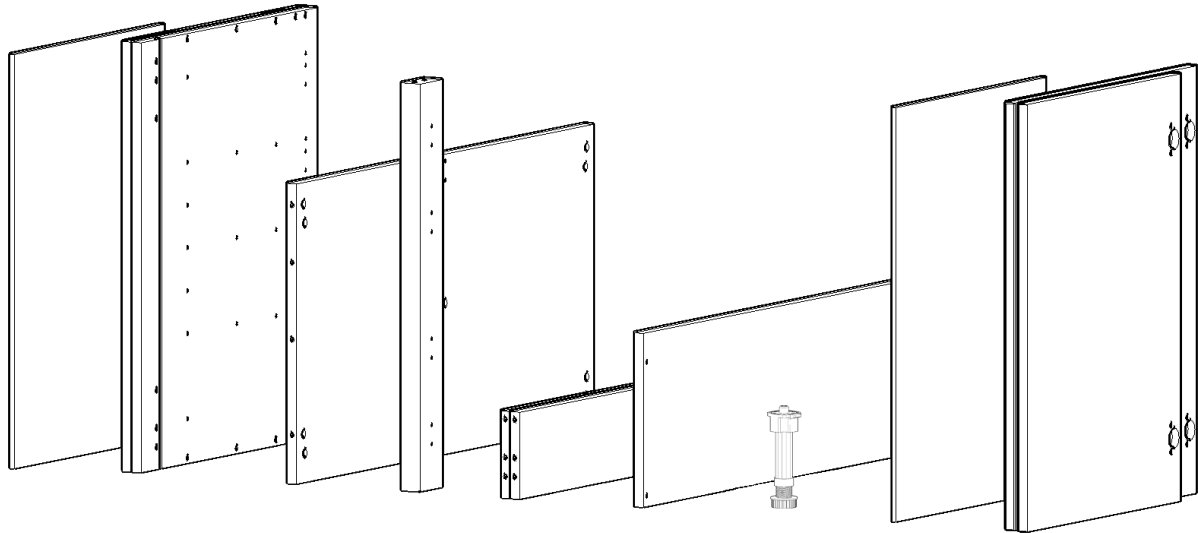
800 - 1000 Adjustable Corner Assembly Guide



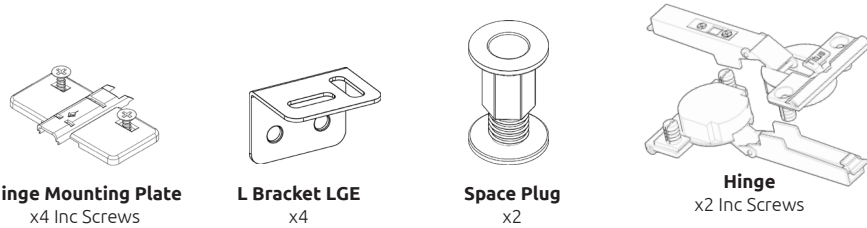
BEFORE YOU START

INSTALLATION SHOULD BE PERFORMED BY A COMPETENT PERSON ONLY.

THIS PRODUCT COULD BE DANGEROUS IF INCORRECTLY INSTALLED



Panel A x1 Back Panel **Panel B** x2 End Panel **Panel C** x1 Base Panel **Panel D** x1 Muntin **Panel E** x2 Rail **Shelf** x1 **Legs** x5 **2nd Back Panel** x1 **Frontal** (Packed separately) x1

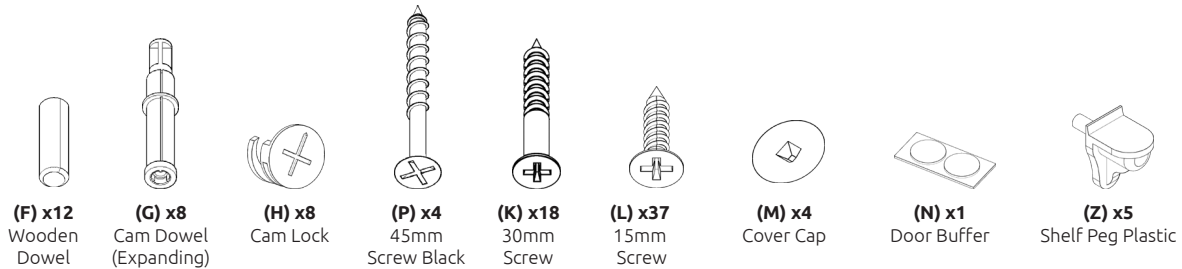


Hinge Mounting Plate
x4 Inc Screws

L Bracket LGE
x4

Space Plug
x2

Hinge
x2 Inc Screws



(F) x12
Wooden Dowel

(G) x8
Cam Dowel (Expanding)

(H) x8
Cam Lock

(P) x4
45mm Screw Black

(K) x18
30mm Screw

(L) x37
15mm Screw

(M) x4
Cover Cap

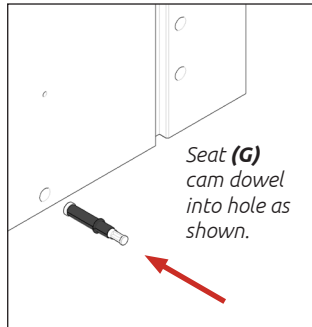
(N) x1
Door Buffer

(Z) x5
Shelf Peg Plastic

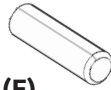
REQUIRED TOOLS



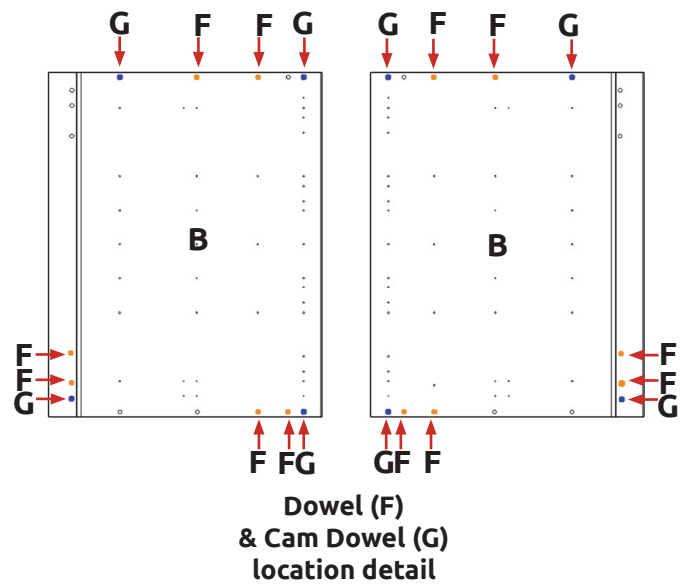
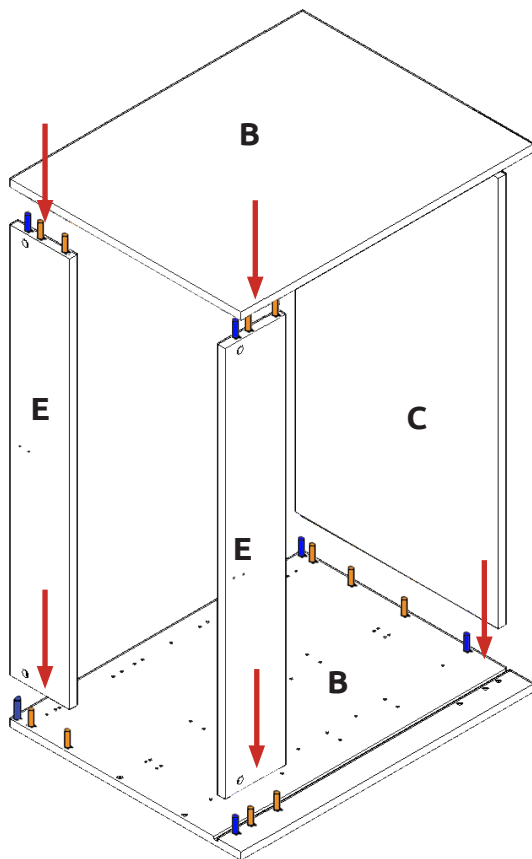
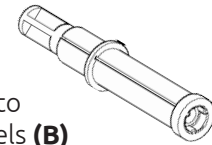
NOT to be used with CAM DOWEL & CAM LOCK



Step 1.
Seat dowel (F) into holes in both end panels (B) as shown.



Step 2.
Seat cam dowel (G) into holes in both end panels (B) as shown.

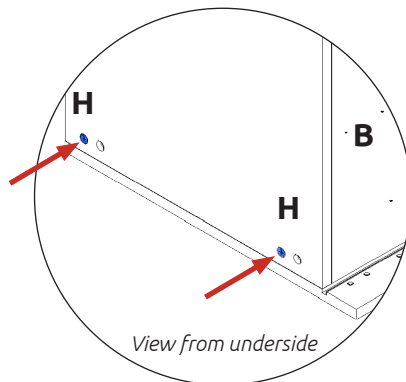
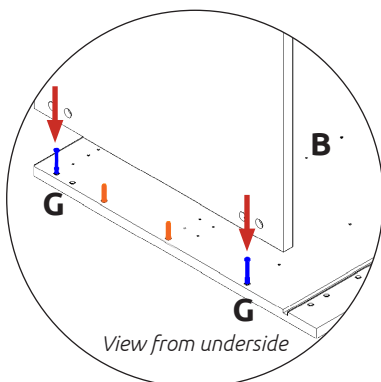


Step 3.
Attach panels (C) to panels (B), using cam dowel (G) (in blue), and also using dowels (F) (in orange) in positions as shown.



NB. All Cam Locks (H) are to be positioned facing the outside of the unit carcase, for ease of tightening.

Do **not** use power tools with cam dowel (G) or cam lock (H)



Step 4.
Insert cam lock (H).
Do NOT tighten until Step 6.



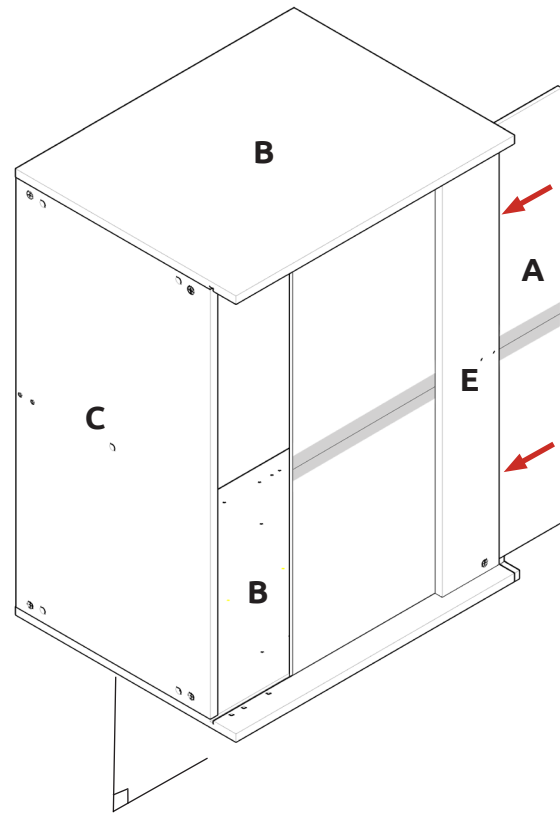
BASE UNIT

800 - 1000 Adjustable Corner Assembly Guide

Step 5.

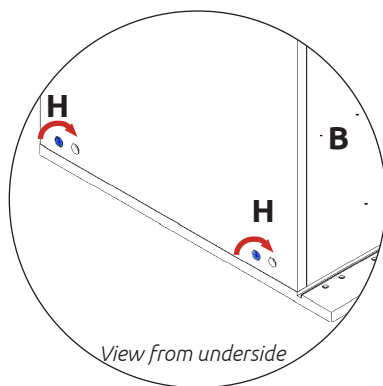
Slide back panel (A) into groove of end panels (B).

Once back panel (A) is in position, ensure the panel is flush & square with bottom of end panels (B).



Step 6.

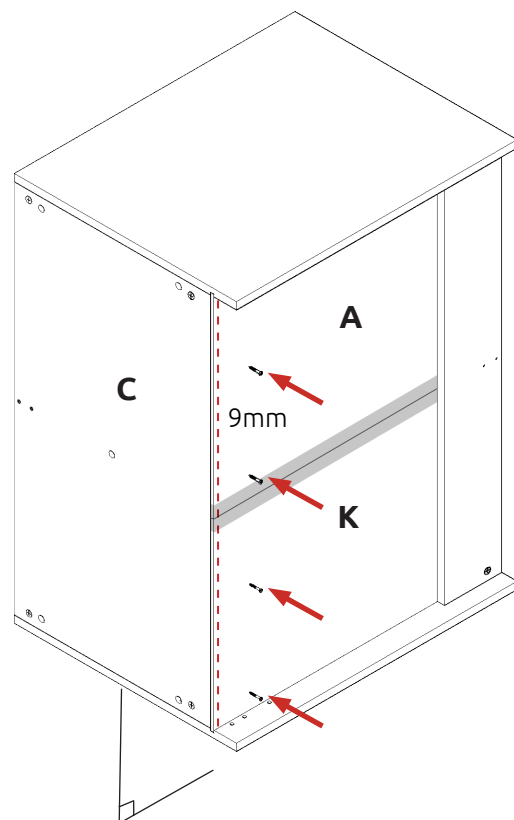
Hand tighten all cam locks (H), this will expand cam dowels (G) and tighten the unit together.

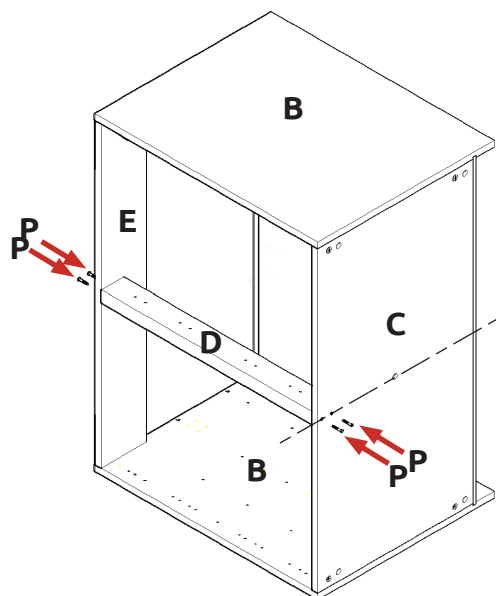


Step 7.

Secure back panel (A) with 4 x 30mm screws (K) equally spaced at the bottom of back panel (A) into base panel (C), as shown.

Ensure you screw into the centre of base panel (C) (9mm from the edge).



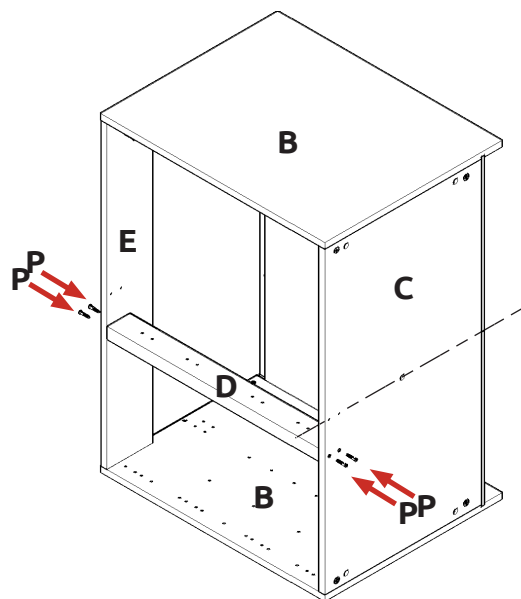


Step 8.
Option 1

- **1000 Unit**
500 Door Option
- **800 Unit**
400 Door Option

To secure muntin panel (D) in place, use pre-drilled pilot holes to align muntin as shown. Secure muntin (D), base (C) & rail (E) using 4 x 45mm screws (P) as shown.

Please refer to Customer Specific Kitchen Plan for left or right hand orientation.

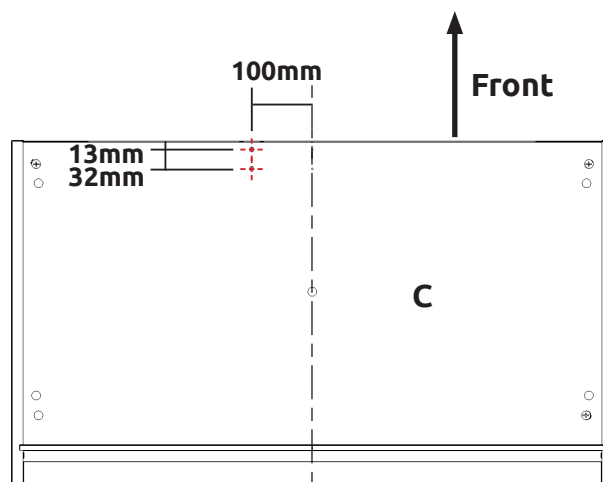
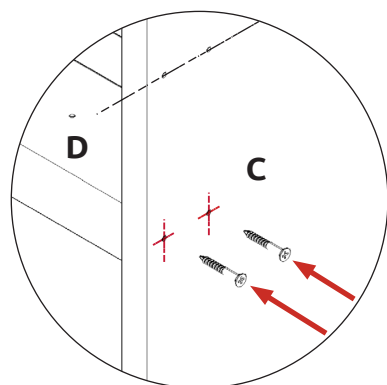


Step 8.
Option 2

- **1000 Unit**
600 Door Option

To secure muntin panel (D) in place, measure 100mm from the pre-drilled pilot holes directed away from the door opening. Then re-drill pilot holes as shown and secure muntin (D), base (C) & rail (E) using 4 x 45mm screws (P) as shown.

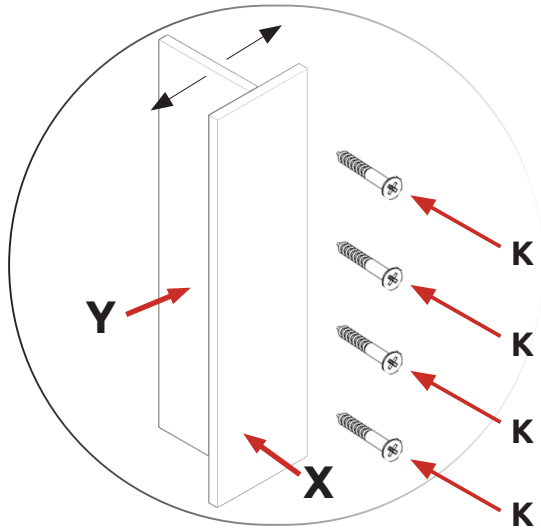
Please refer to Customer Specific Kitchen Plan for left or right hand orientation.



**600 Drilling For Muntin
Position diagram**

BASE UNIT

800 - 1000 Adjustable Corner Assembly Guide



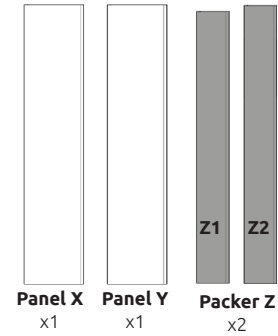
Step 9.

Cut panels (X) & (Y) to size according to **Customer Specific Kitchen Plan**.

Step 10.

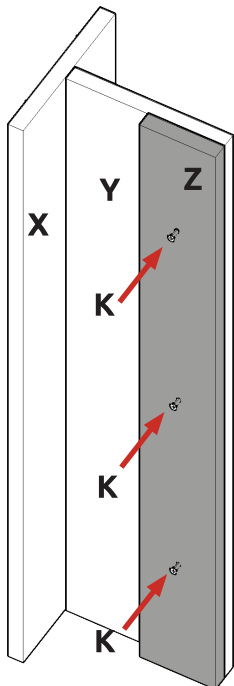
To create your corner post attach panel (X) and panel (Y) as shown. Screw through panel (X) into panel (Y) at 4 locations using 4 x 30 mm (K) screws. Corner post size can be adjusted by positioning panel (Y) along panel (X).

Adjustable Corner Post Pack

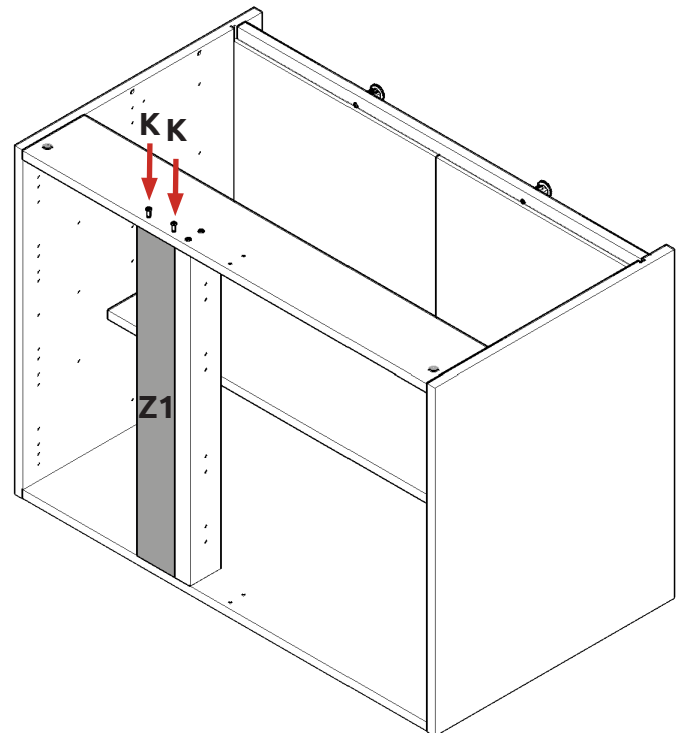


Step 11.

Place packer (Z1) flush with the front edge of the unit and up tight to the centre muntin. Screw through from the unit using 2 x 30mm screws (K) in the top and 2 x 30mm screws (K) in the bottom, locations shown.



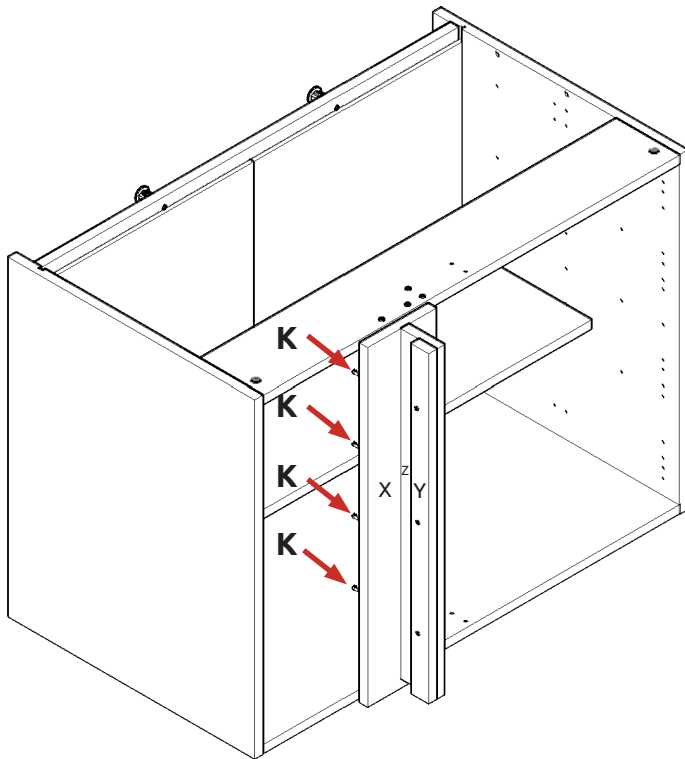
Please refer to Customer Specific Kitchen Plan for left or right hand orientation.



Step 12.

Place panel (Y) together with the remaining packer (Z2) flush as shown and screw together using 3x 30mm screws (K) equally spaced as shown.

Please refer to Customer Specific Kitchen Plan for left or right hand orientation.



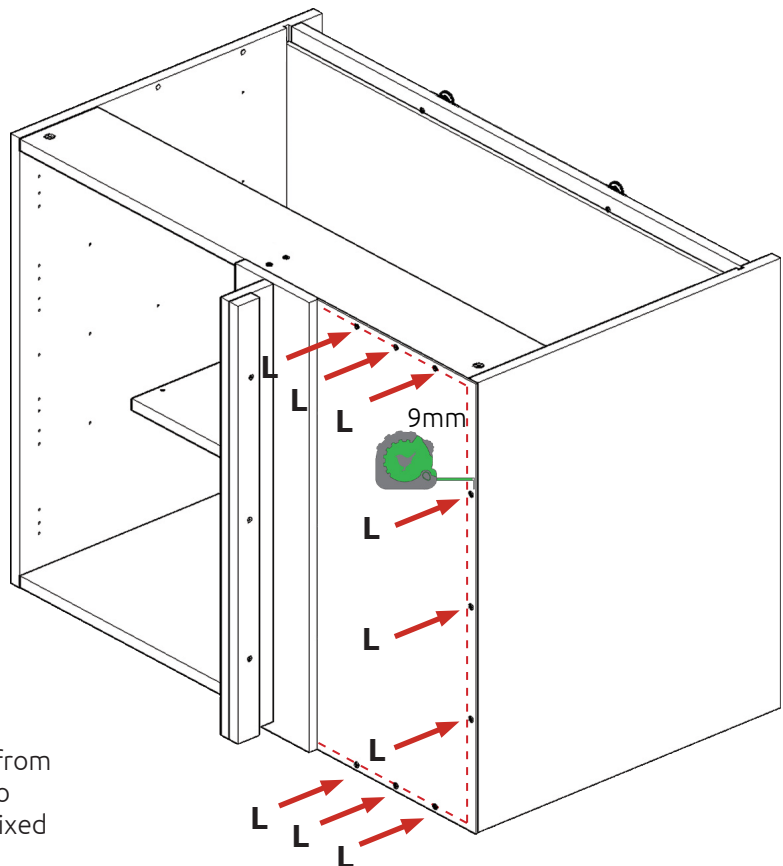
Step 13.

Place panels **(Y)** & **(X)** together with packer **(Z)** flush as shown and screw together using 4 x 30mm **(K)** screws equally spaced as shown.

Please refer to Customer Specific Kitchen Plan for left or right hand orientation.

Step 14.

Corner Blanking Panel. Measure and cut blanking panel to required width.



Step 15.

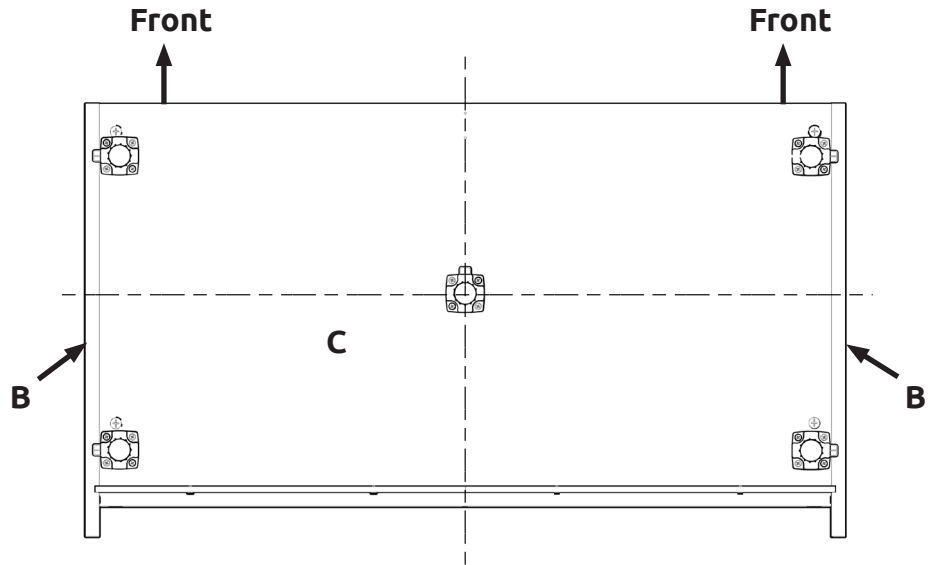
Secure blanking panel with 9 x 15mm screws **(L)**, evenly spaced, as shown. Ensure you screw 9mm from edge of the blanking panel to ensure to screw into the centre of the end panel, top rail and bottom fixed shelf.

BASE UNIT

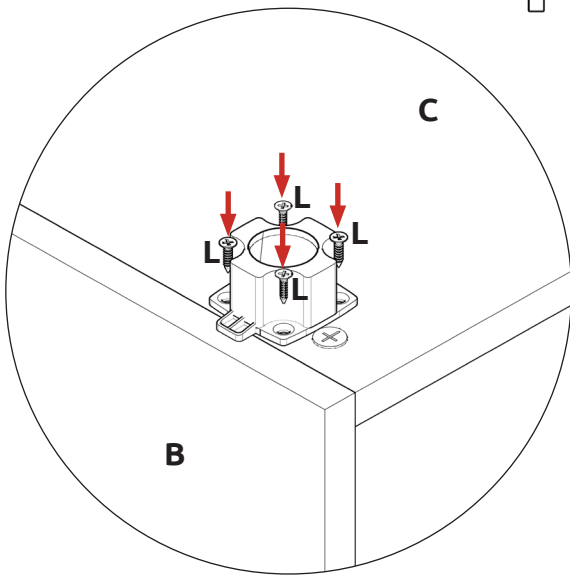
800 - 1000 Adjustable Corner Assembly Guide

Step 16.

Position legs as shown. Ensure legs are rotated to also provide support to the end panels (**B**).

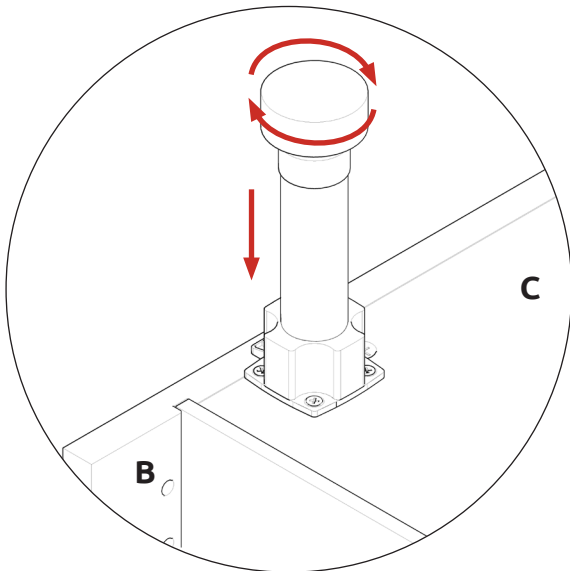


Leg position diagram



Step 17.

Secure each of the legs into place with 4 x 15mm screws (**L**) per leg.



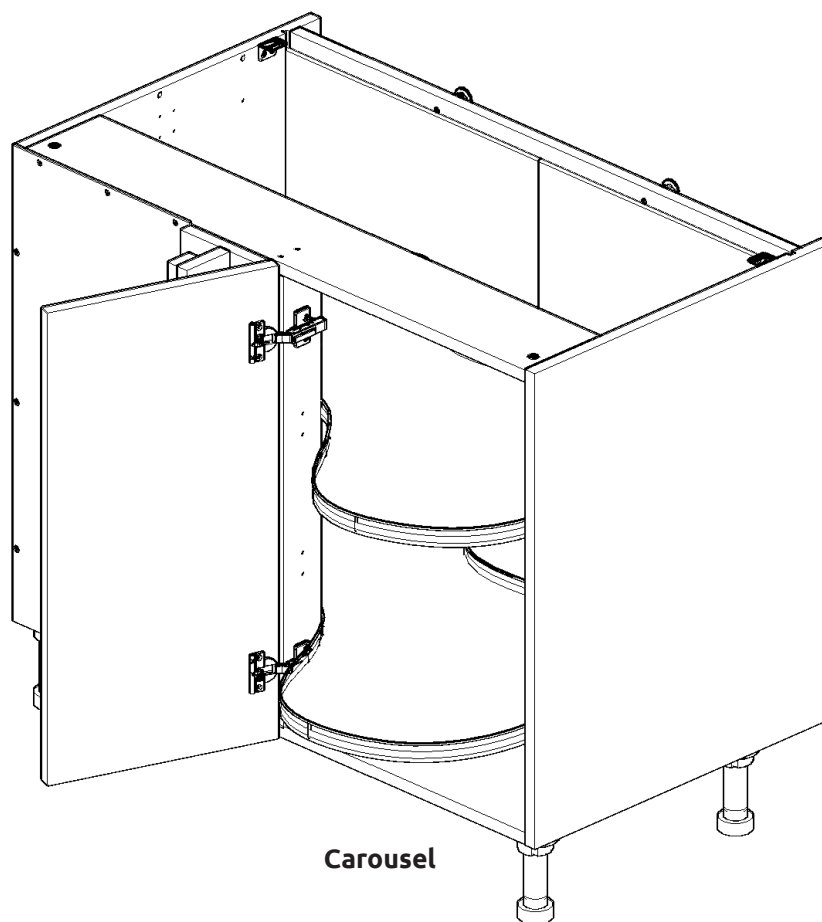
Step 18.

Push leg firmly down into leg base. Adjust legs to 155mm before turning unit upright. Once in situ level accordingly.

Corner Carousel

Please refer to separate instructions included with your carousel tray.

The middle shelf should be discarded when using the carousel tray.



Vogue

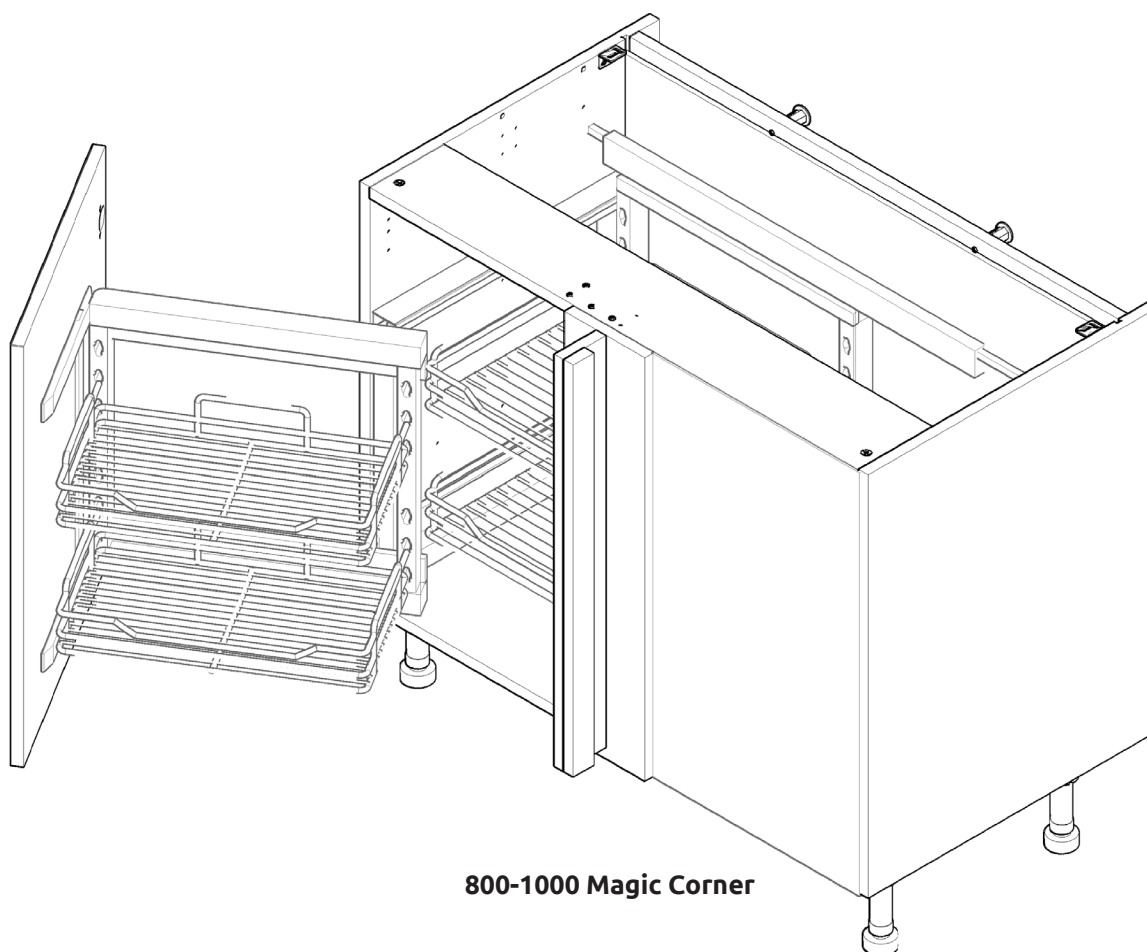
BASE UNIT

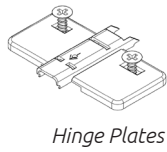
800 - 1000 Adjustable Corner Assembly Guide

Magic Corner

Please refer to separate instructions included with your magic corner.

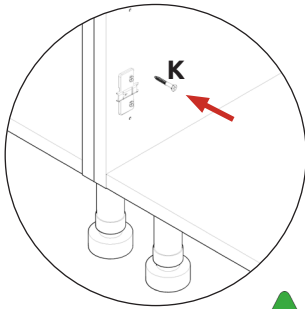
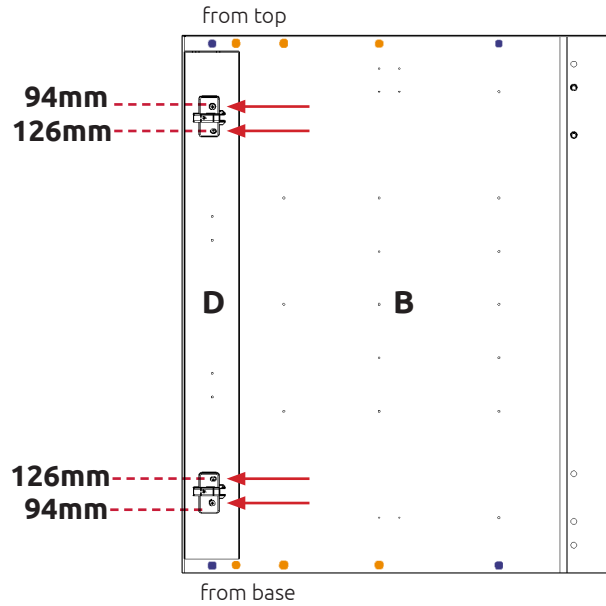
The middle shelf and hinges should be discarded when using the magic corner.





Attach hinge plates onto panel **(D)** in locations shown using 4 x 15mm screws **(L)**.

(Ignore this step when fitting Magic Corner)

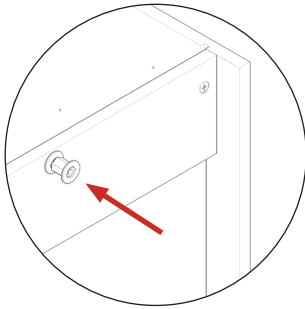


Securing to Adjacent Units

Screw into any side units using the 30mm screws **(K)** provided to secure to unit. Screw just to the rear of the hinge plate at the top and bottom of both sides of the unit, place a cover cap **(M)** on the heads to conceal it.



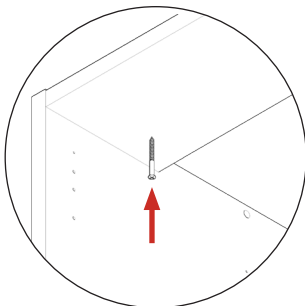
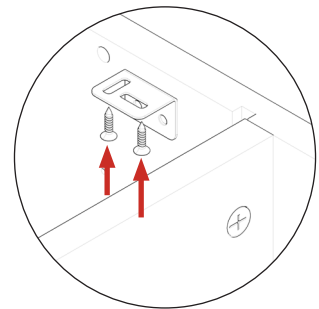
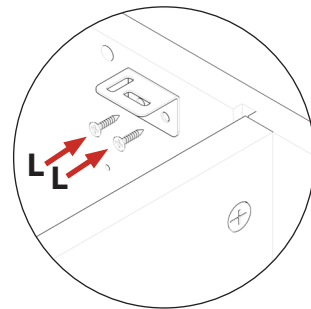
Screws for attaching to walls and worktop are not provided as these vary depending on materials, thickness and construction. Ensure appropriate fixings for wall and worktop construction are used. Please refer to the specialist worktop supplier if these are required for solid surface worktops.



Secure unit to wall using space plugs. Drill 2 pilot holes through the back rail into the wall and insert Space-Plugs. Then unwind space plug until it contacts both surfaces. Finally, tighten the screws.

L Brackets

Use 2 x 15mm screws **(L)** to secure each of the L brackets to the unit at either side. Then screw up through into the worktop as shown.

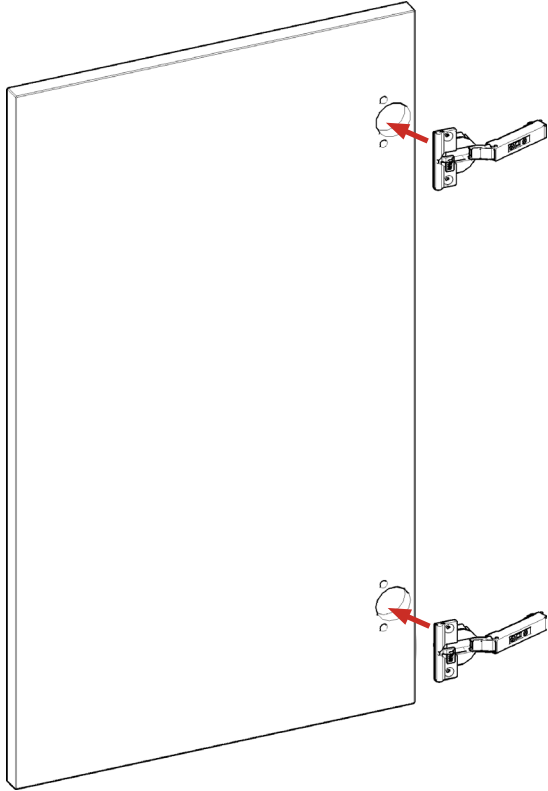


Worktop

Screw up through the front rail into your worktop to secure it in place.

BASE UNIT

800 - 1000 Adjustable Corner Assembly Guide

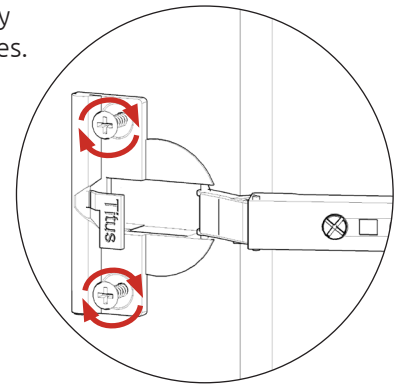


Step 17.

Insert hinge in top & bottom holes as shown below.

Step 18.

Secure hinges by tightening 2 x screws with hinge dowels attached. These are already positioned within the hinges.



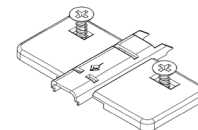
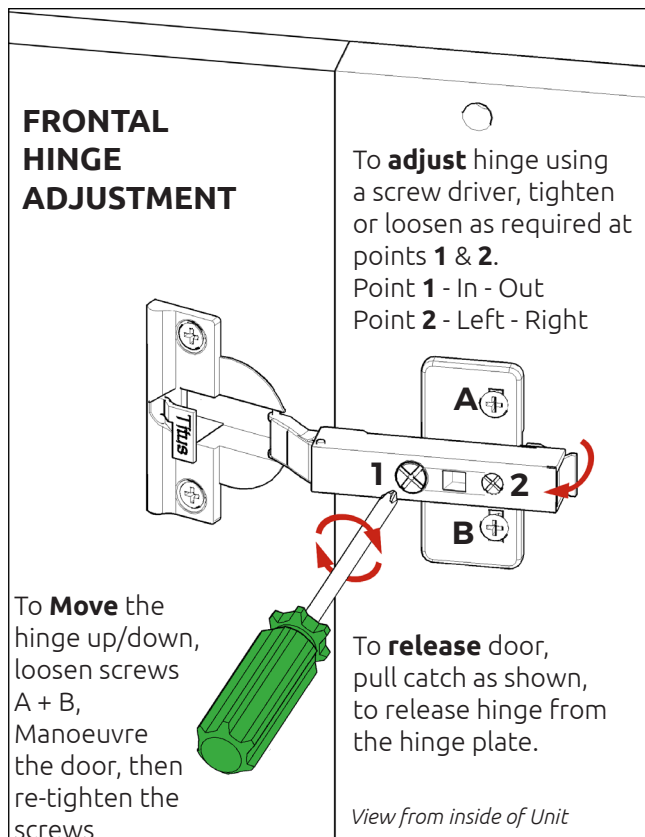
Step 19.

Attach the door to unit where required.

To attach door, clip hinge onto hinge plate and click to secure.

Step 20.

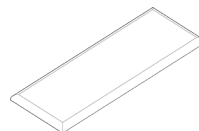
Adjust hinge to suit. As shown below.



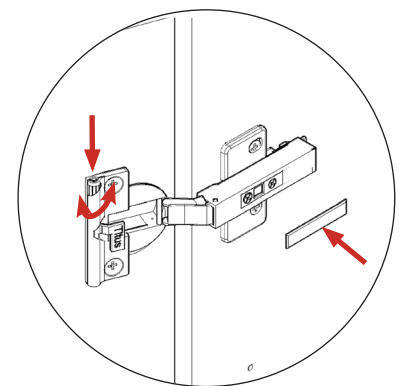
Hinge Plates

Step 21.

Fit cover caps to hinge. Adjust Soft close to suit.



Hinge Cover Caps



The top and bottom hinges **MUST** be adjusted to the **SAME STRENGTH.**