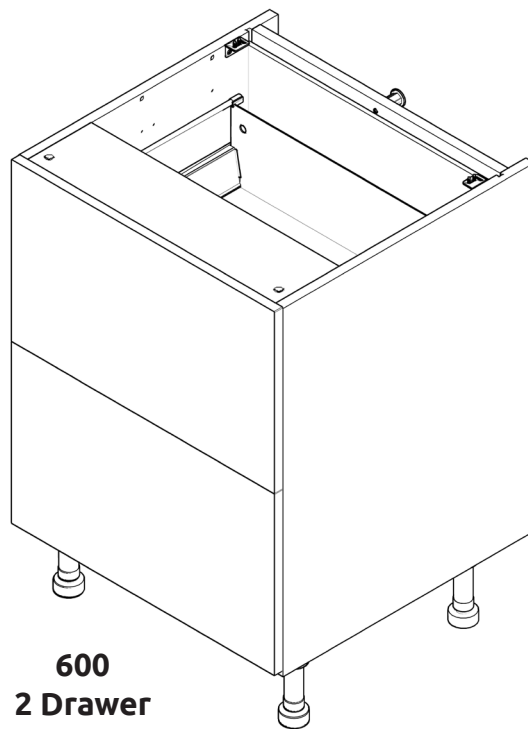


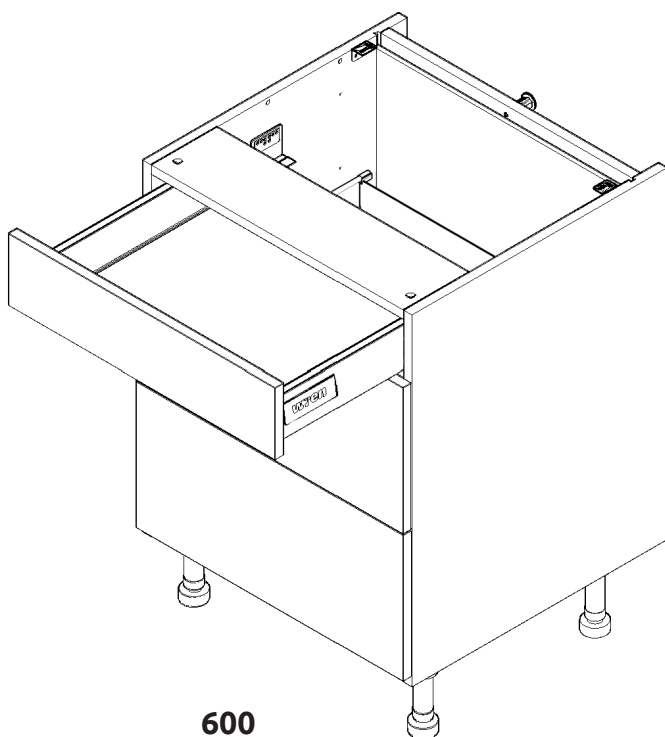
Vogue

BASE UNIT

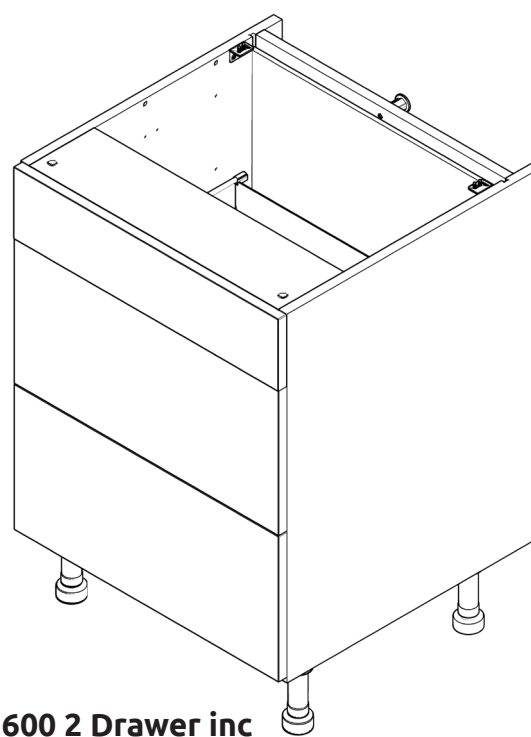
600 2/3 Drawer Assembly Guide



**600
2 Drawer**



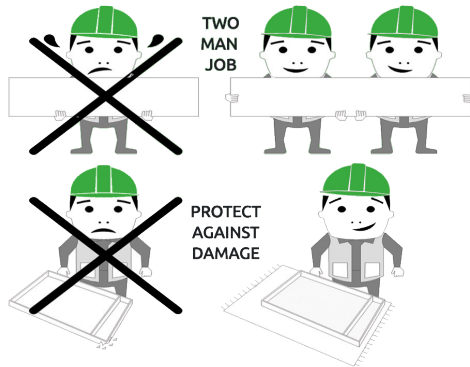
**600
3 Drawer**



**600 2 Drawer inc
Dummy Drawer**

BASE UNIT

600 2/3 Drawer Assembly Guide



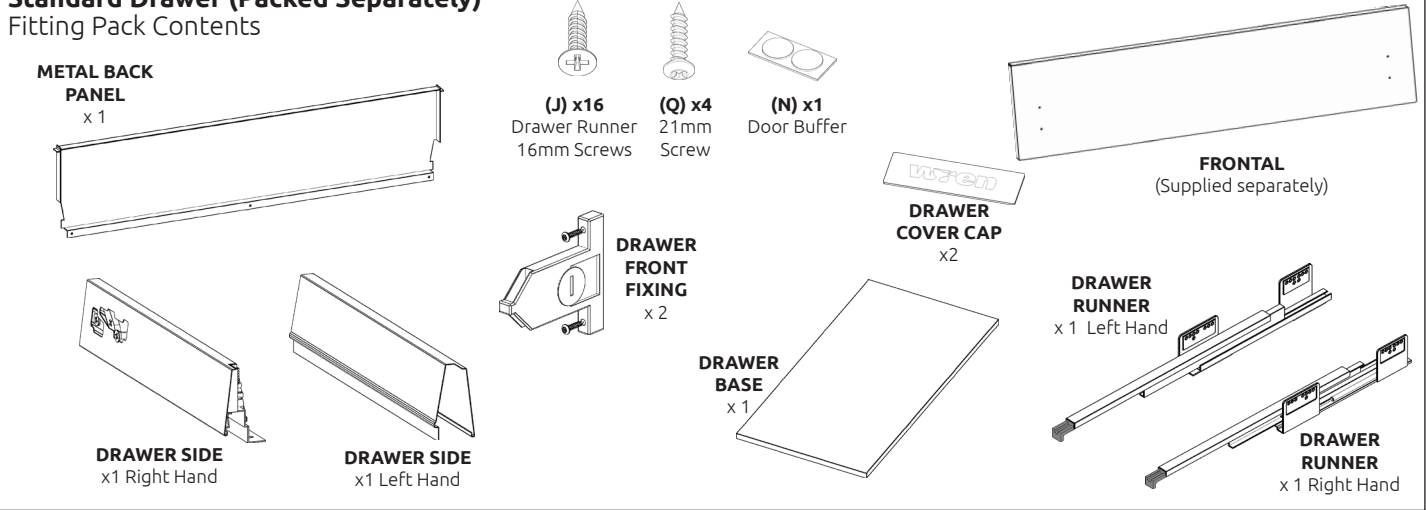
BEFORE YOU START

INSTALLATION SHOULD BE PERFORMED BY A COMPETENT PERSON ONLY.

THIS PRODUCT COULD BE DANGEROUS IF INCORRECTLY INSTALLED

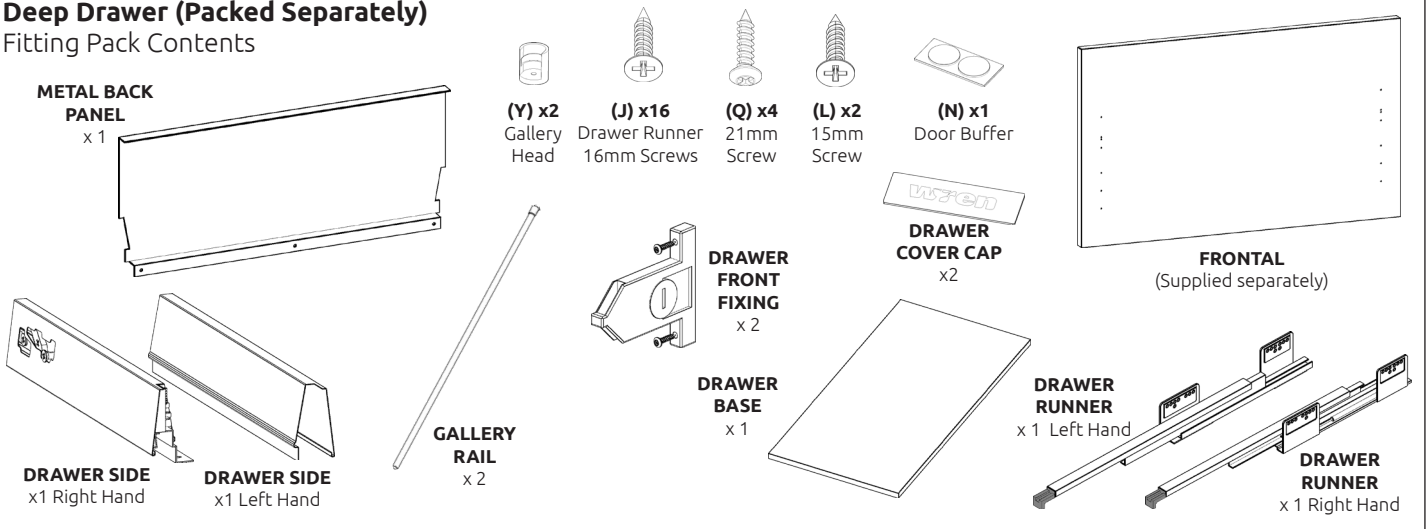
Standard Drawer (Packed Separately)

Fitting Pack Contents



Deep Drawer (Packed Separately)

Fitting Pack Contents



REQUIRED TOOLS



Step 1.

Secure drawer base to drawer side using 4 x 16mm drawer runner screws (**J**) in holes provided.

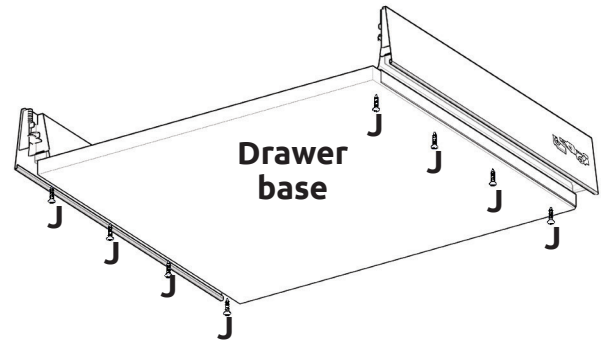
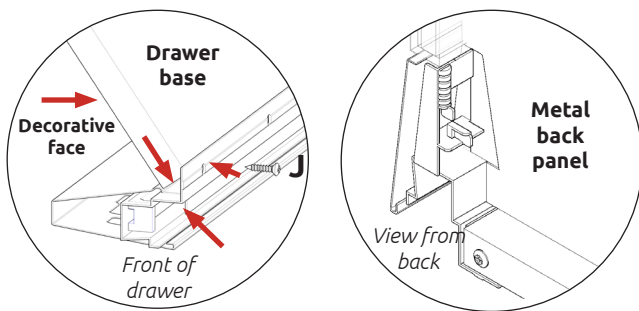
Seat the edge of drawer base tight into corner of casing, as shown.

The decorative face of drawer base to be positioned as shown.

Repeat step 1 so both drawer sides are attached to drawer base.

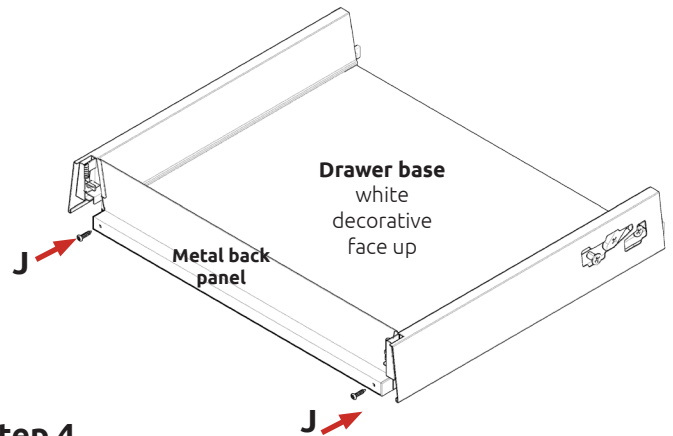
Step 2.

Clip on metal back panel to drawer base & drawer sides.



Step 3.

Screw back panel in position using 2 x 16mm screws (**J**) to drawer base in holes provided.



Step 5.

Draw Adjustment
Screw point **1** as shown to adjust drawer frontal right & left.

Screw point **2a** as shown to adjust drawer frontal up & down.

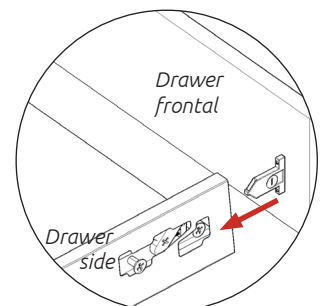
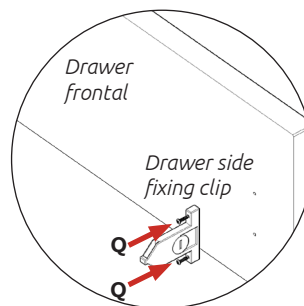
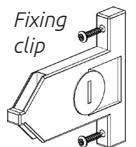
Tighten **2b** once in position.

Releasing **fixing clip**. Screw point **3** whilst applying downward pressure as shown to release.

View of drawer side

Step 4.

Frontal Attachment
Secure drawer Side Fixing Clips using 2 x 21mm screws (**Q**) in pilot holes provided as shown.



Step 6.

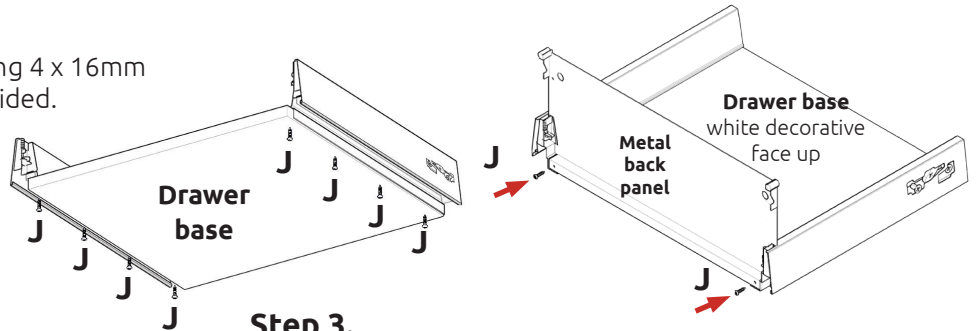
Fit Drawer Cover Caps over drawer side adjustment.

BASE UNIT

600 2/3 Drawer Assembly Guide

Step 1.

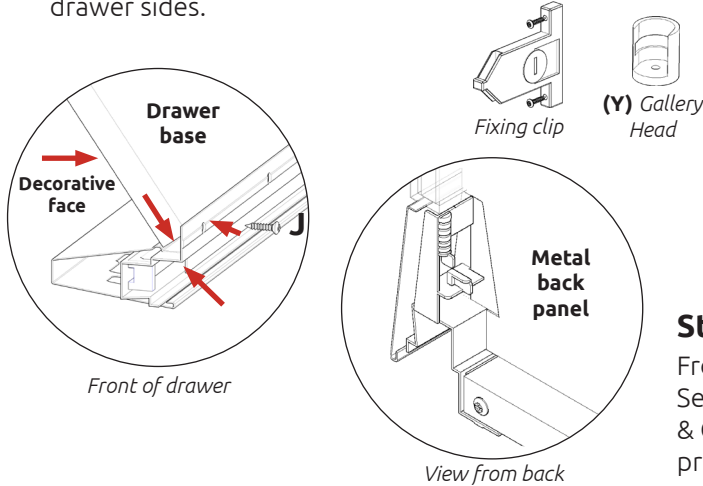
Secure drawer base to drawer side using 4 x 16mm drawer runner screws (**J**) in holes provided. Seat the edge of drawer base tight into corner of casing, as shown. The decorative face of drawer base to be positioned as shown.



Repeat step 1 so both drawer sides are attached to drawer base.

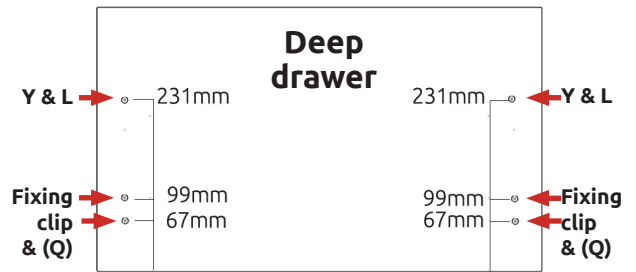
Step 2.

Clip on metal back panel to drawer base & drawer sides.



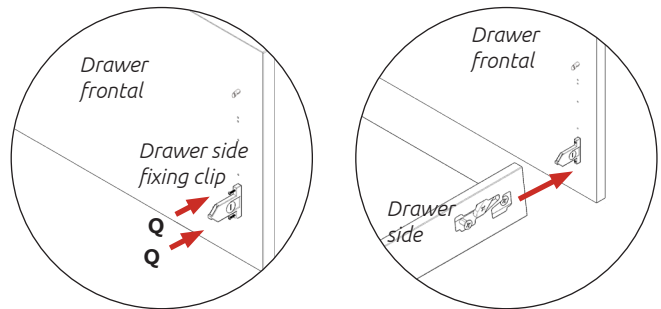
Step 3.

Screw back panel in position using 2 x 16mm screws (**J**) to drawer base in holes provided.



Step 4.

Frontal Attachment
Secure **drawer side fixing clips** using 2 x 21mm screws (**Q**) & **Gallery Head (Y)** using 1 x 15mm screw (**L**) in pilot holes provided as shown.



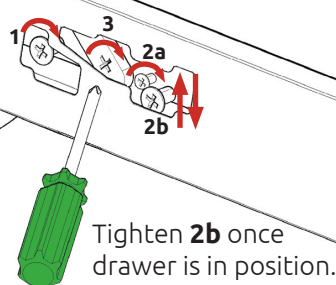
Drawer Frontal Adjustment

Step 5.

Draw Adjustment
Screw point **1** as shown to adjust drawer frontal right & left.

Screw point **2a** as shown to adjust drawer frontal up & down.

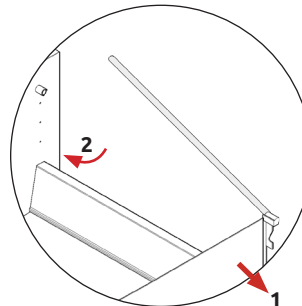
Releasing fixing clip.
Screw point **3** whilst applying downward pressure as shown to release.



View on side of drawer side

Step 6.

Fit Gallery Rail into the top corners of Metal Back Panel. Locate front end of the Gallery Rail into the opening of the gallery Head, which is secured to the frontal as shown



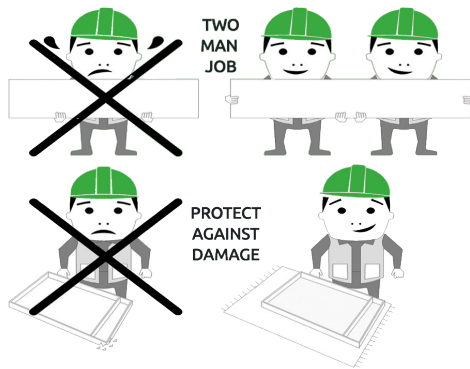
Step 7.

Fit **Drawer Cover Caps** over drawer side adjustment.



Drawer Cover Cap

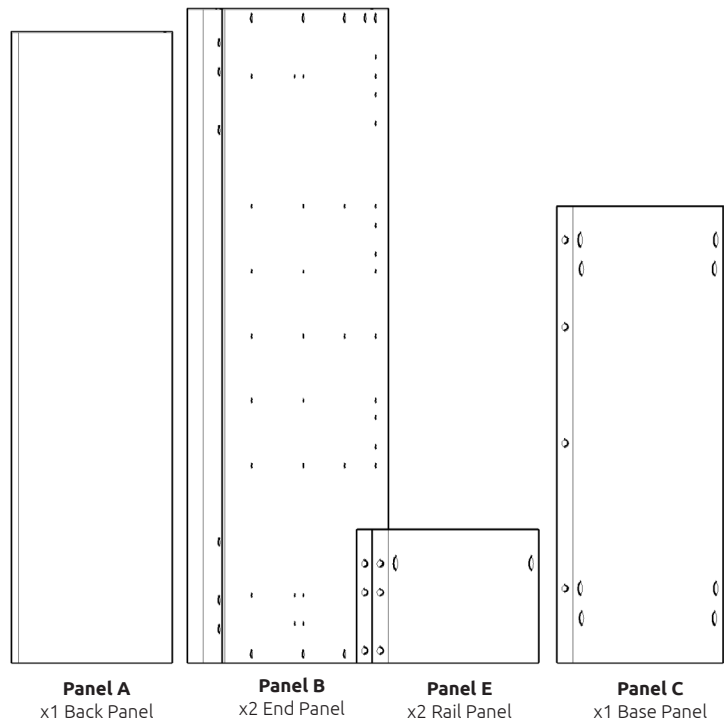
600 Drawer Unit Contents


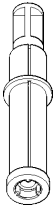

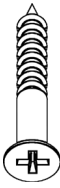
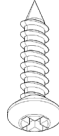

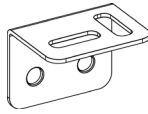
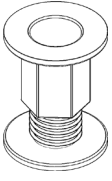


BEFORE YOU START

INSTALLATION SHOULD BE PERFORMED BY A COMPETENT PERSON ONLY.

THIS PRODUCT COULD BE DANGEROUS IF INCORRECTLY INSTALLED



- 
(F) x12
 Wooden Dowel
- 
(G) x8
 Cam Dowel (Expanding)
- 
(H) x8
 Cam Lock
- 
(K) x7
 30mm Screw
- 
(Q) x4
 21mm Screw
- 
(L) x28
 15mm Screw
- 
L Bracket LGE
 x2
- 
Space Plug x1

REQUIRED TOOLS



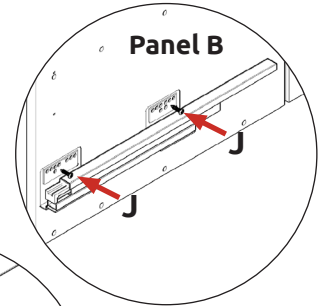
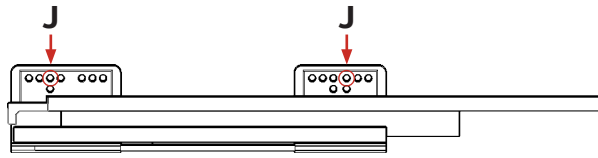
BASE UNIT

600 2/3 Drawer Assembly Guide

Step 1.

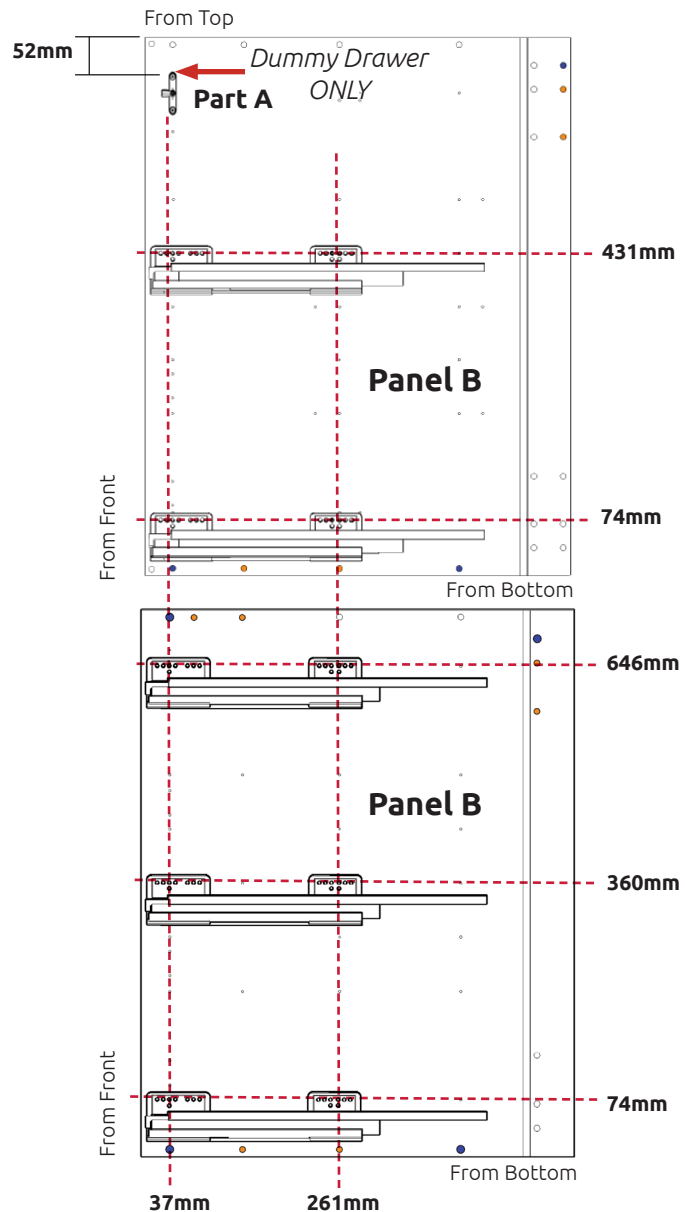
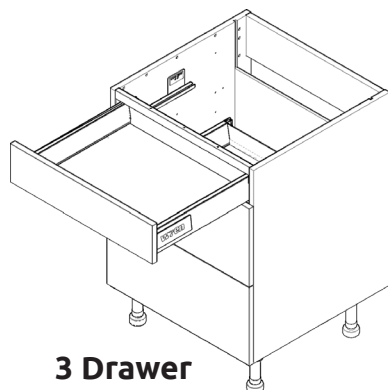
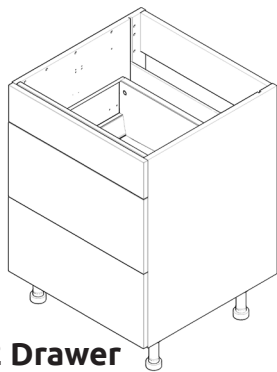
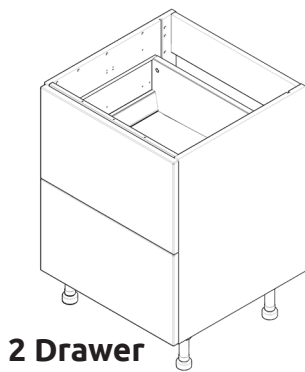
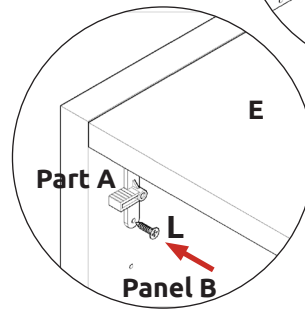
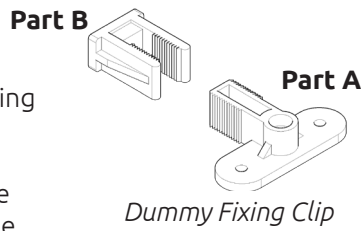
To attach drawer runner screw into end panels (B) using 2 x 16mm screws (J) per drawer rail, into pilot holes provided, as shown.

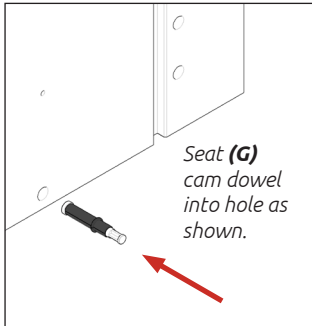
Drawer runner bracket screw position



Step 2.

Where applicable, secure dummy fixing clip parts (A) onto both End Panels (B) using 2 x 15mm screws (L) each, as shown. The top screw hole is to be positioned 52mm from the top of the panel (marked by an indentation).

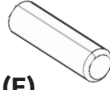




Seat (G)
cam dowel
into hole as
shown.

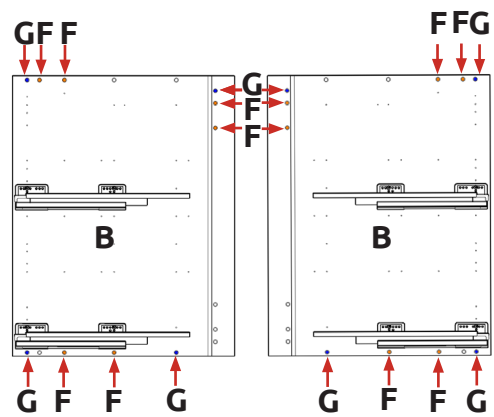
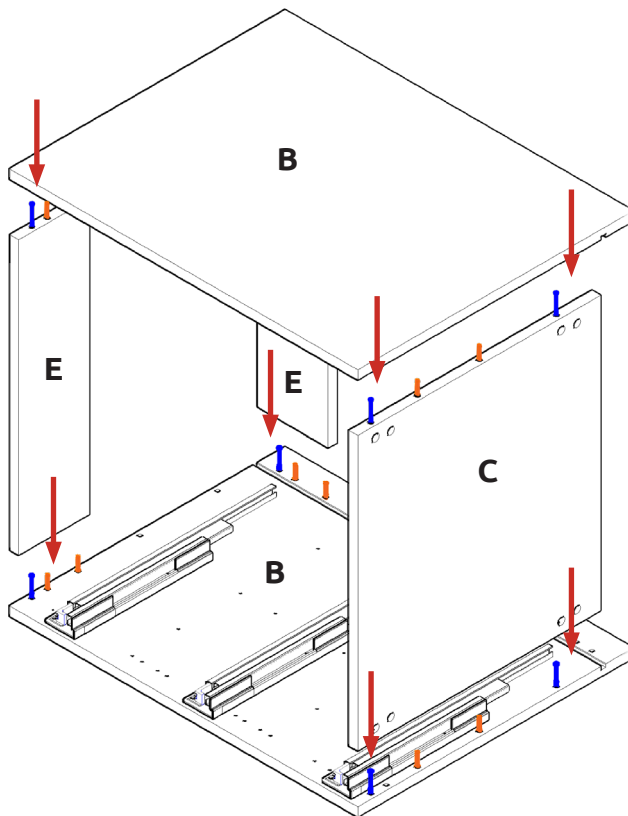
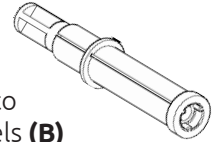
Step 3.

Seat dowel (F)
into holes in both end
panels (B) as shown.



Step 4.

Seat cam dowel (G)
into holes in both end
panels (B)
as shown.



**Dowel (F)
& Cam Dowel (G)
location detail**

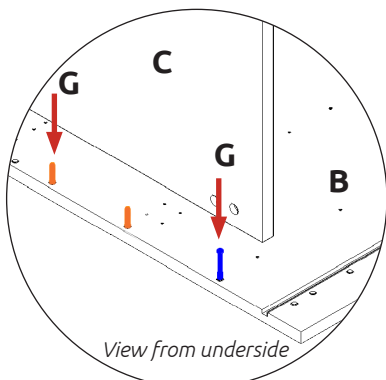
Step 5.

Attach panels (C) & (E) to panels (B),
using cam dowel (G) (in blue), and
also using dowels (F) (in orange) in
positions as shown.

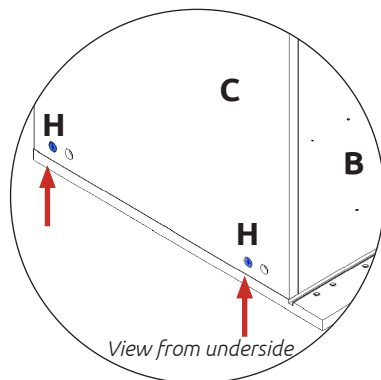


NB. All Cam Locks (H) are to be positioned facing the outside of the unit carcass, for ease of tightening.

Do **not** use power tools with
cam dowel (G) or cam lock (H)



View from underside



View from underside



Step 6.

Insert cam lock (H).
Do **NOT** tighten until Step 7.



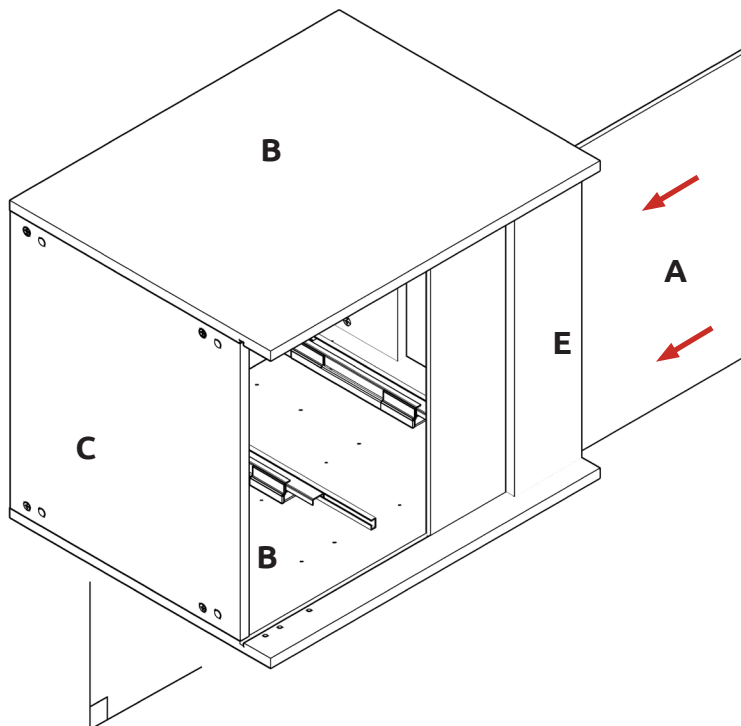
BASE UNIT

600 2/3 Drawer Assembly Guide

Step 6.

Slide back panel (A) into groove of end panels (B).

Once back panel (A) is in position, ensure the panel is flush & square with bottom of end panels (B).



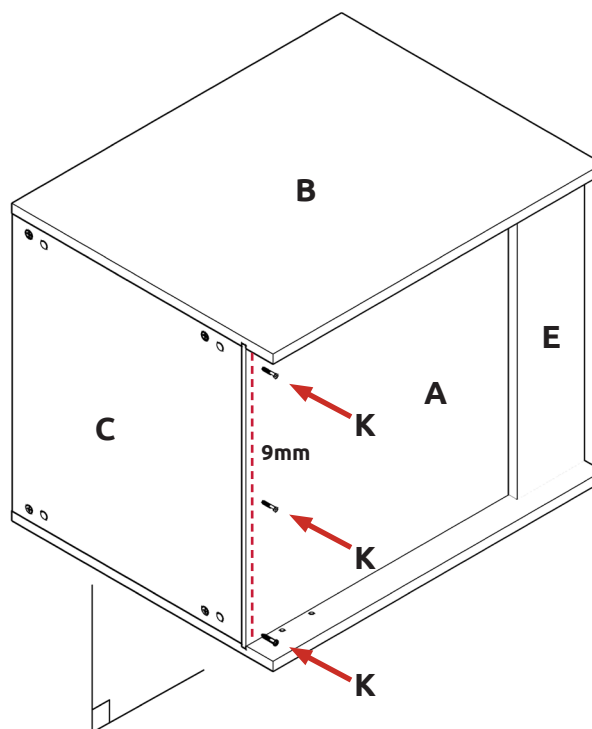
Step 7.

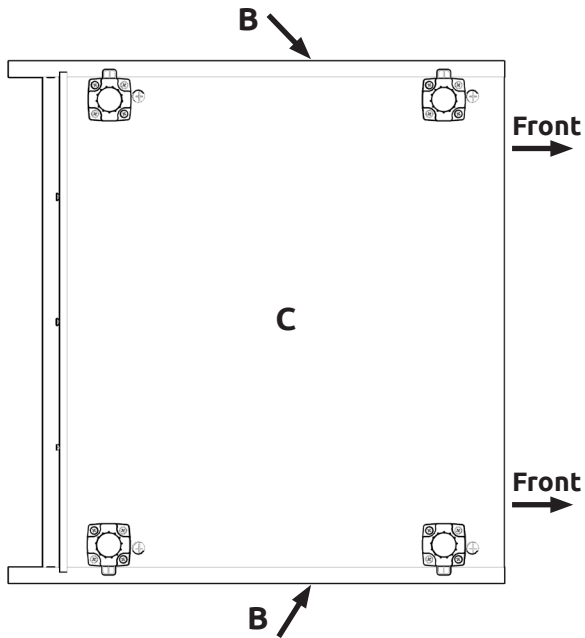
Hand tighten all cam locks (H), this will expand cam dowels (G) and tighten the unit together.

Step 8.

Ensure unit is square. Secure back panel (A) with 3 x 30mm screws (K) equally spaced at the bottom of back panel (A) into base panel (C), as shown.

Ensure you screw into the centre of base panel (C) (9mm from bottom edge).





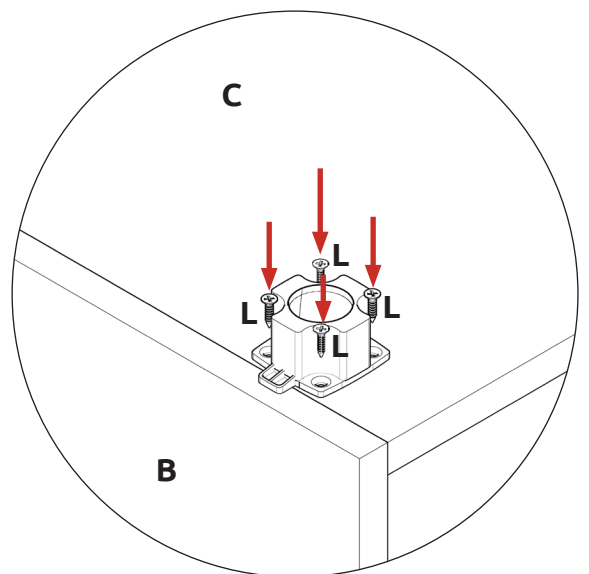
Leg position diagram

Step 9.

Position legs as shown. Ensure legs are rotated to also provide support to the end panels (**B**).

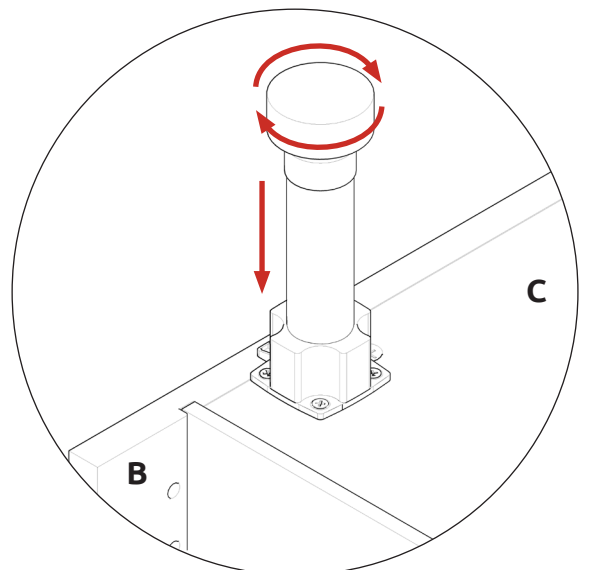
Step 10.

Secure each of the legs into place with 4 x 15mm screws (**L**) per leg.



Step 11.

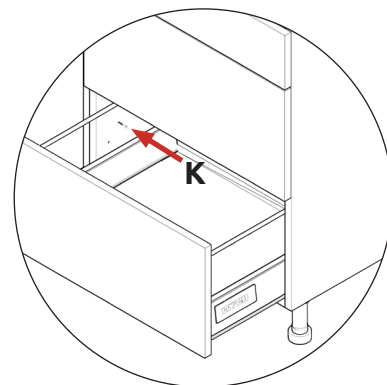
Push leg firmly down into leg base. Adjust legs to 155mm before turning unit upright. Once in situ level accordingly.



BASE UNIT

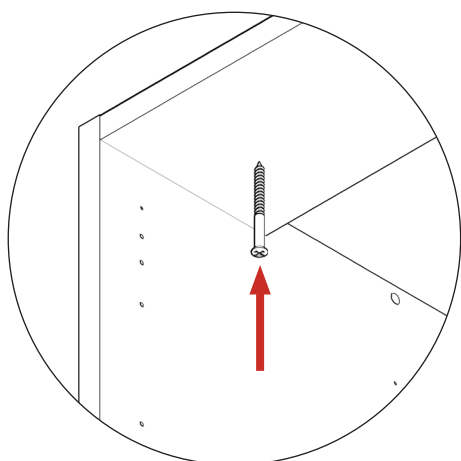
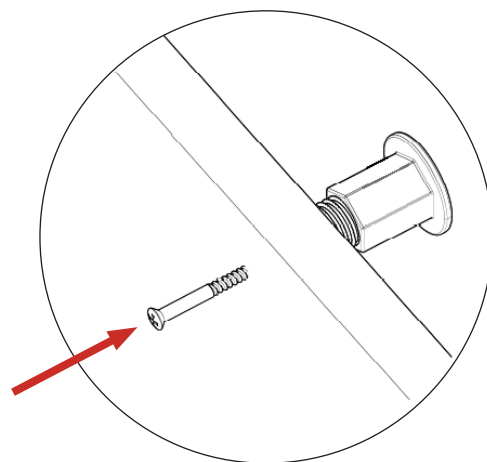
600 2/3 Drawer Assembly Guide

Screw into any side units using the 30mm screws **(K)** provided to secure to the unit. Screw just to the rear of the indentations at the top and bottom on sides of the unit where applicable. Place a cover cap **(M)** on the head of the screw to conceal it.



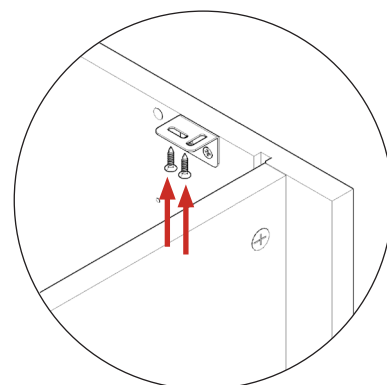
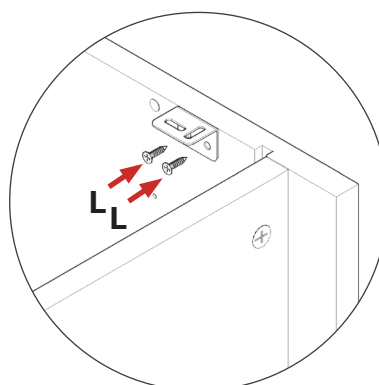
Screws for attaching to walls and worktop are not provided as these vary depending on materials, thickness and construction. Ensure appropriate fixings for wall and worktop construction are used. Please refer to the specialist worktop supplier if these are required for solid surface worktops.

Secure unit to wall using **Space Plug(s)**. Drill pilot hole(s) through the back rail into the wall and insert wall plug(s). Then unwind space plug(s) until it contacts both surfaces. Finally, tighten the screw(s).



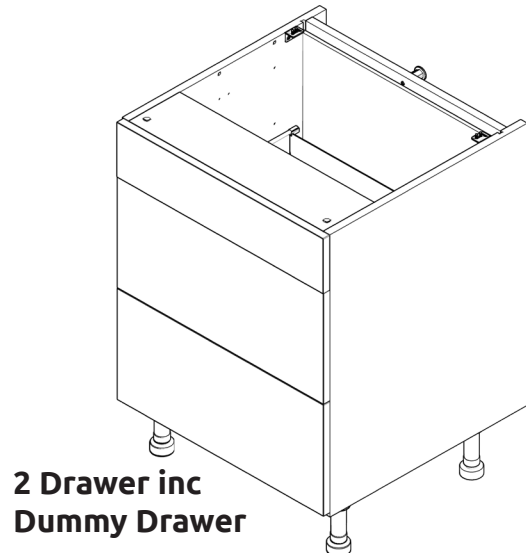
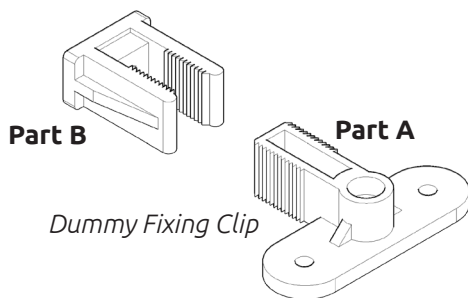
Screw up through the front rail into your worktop to secure it in place.

Use 2 x 15mm screws **(L)** to secure each of the L brackets to the unit at either side. Then screw up through into the worktop as shown.



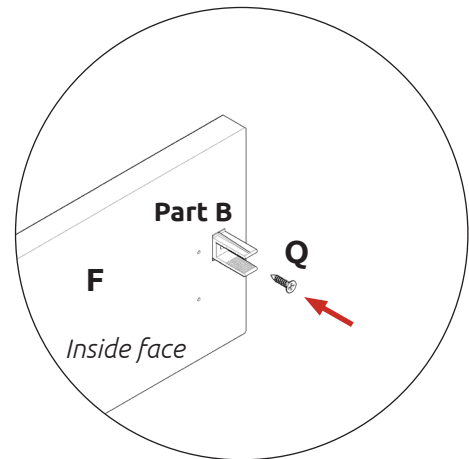
Dummy Draw Frontal Fixing (Where Applicable)

Drawers Supplied in accordance to Specific Customer Kitchen Plan



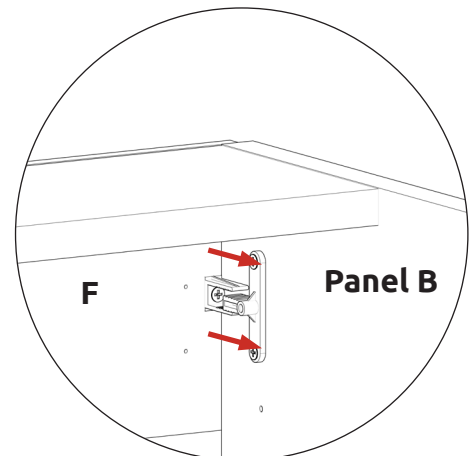
Step 1.

Secure 2 x dummy fixing clip parts **(B)** onto the inside face of dummy draw front, 22mm from the edge spaced evenly either side as shown, using 1 x 21mm screw **(Q)** per part **(B)**. Align so frontal is in line with adjacent frontals.



Step 2.

Align and push panel **(F)** into place. Ensure frontal is in line with adjacent units. Space appropriately from unit.



View from inside of unit

wren
KITCHENS