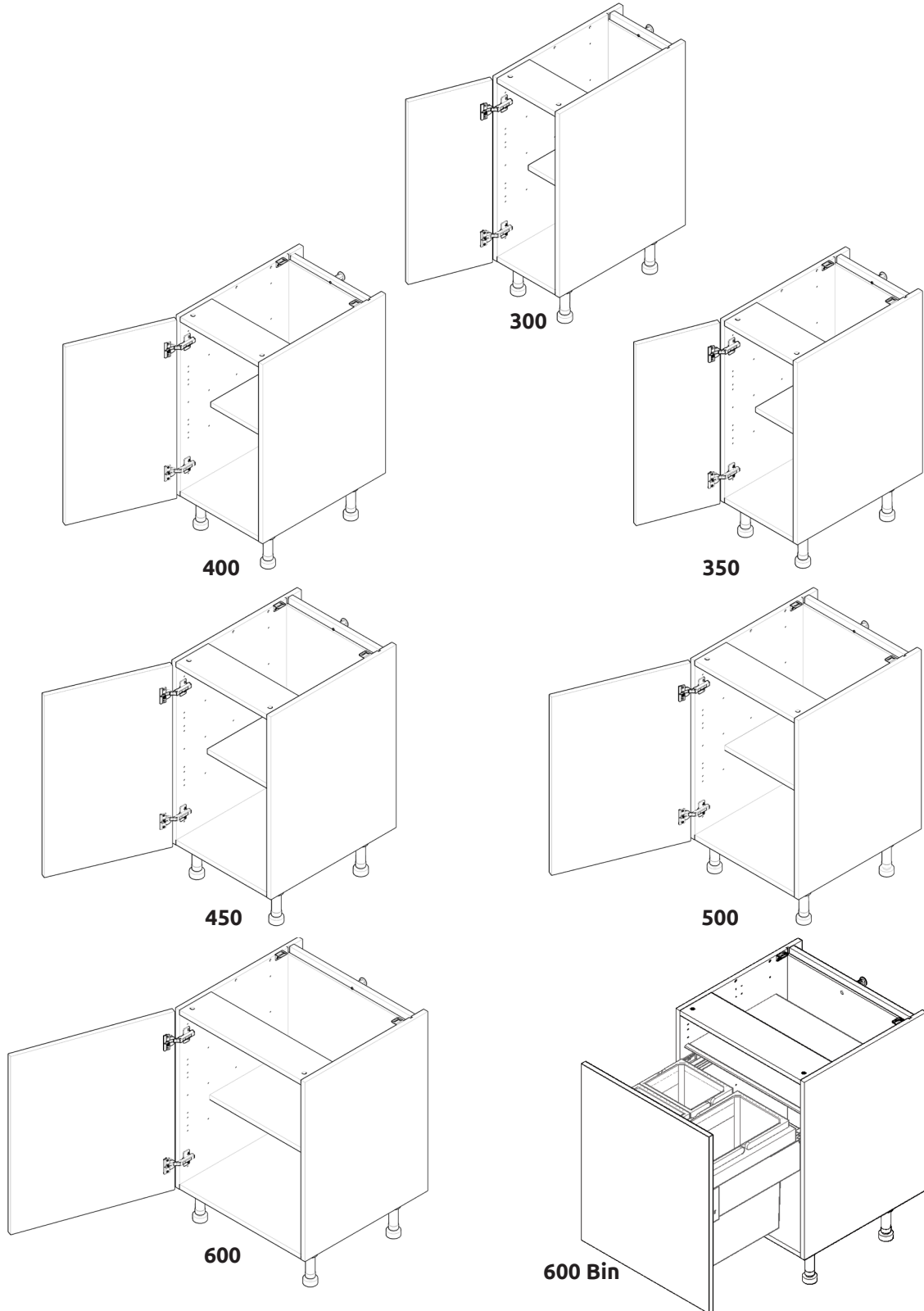


Vogue

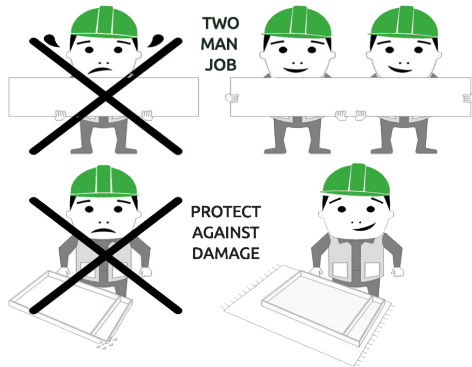
# BASE UNIT

## 300 - 600 1 Door Assembly Guide



# BASE UNIT

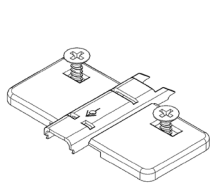
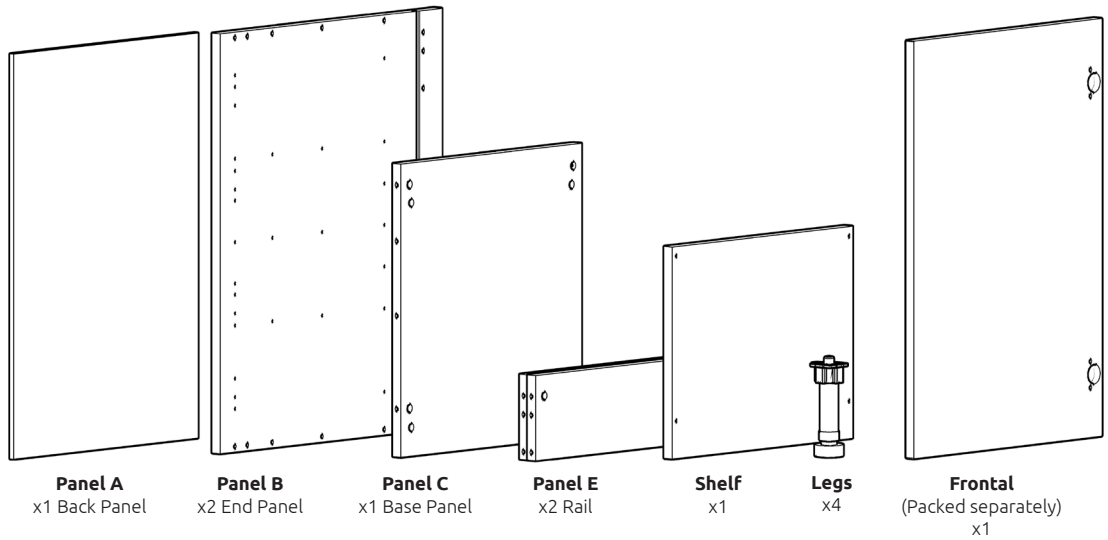
## 300 - 600 1 Door Assembly Guide



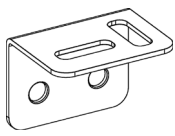
**BEFORE YOU START**

INSTALLATION SHOULD BE PERFORMED BY A COMPETENT PERSON ONLY.

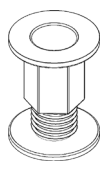
THIS PRODUCT COULD BE DANGEROUS IF INCORRECTLY INSTALLED



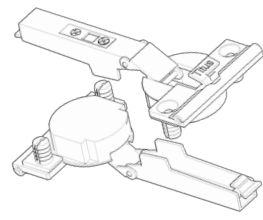
**Hinge Mounting Plate**  
x2 Inc Screws



**L Bracket**  
x2



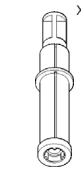
**Space Plug**  
x1



**Hinge**  
x2 Inc Screws  
(not used with Bins)



**(F) x12**  
Wooden Dowel



**(G) x8**  
Cam Dowel  
(Expanding)



**(H) x8**  
Cam Lock



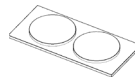
**(K) x7**  
30mm  
Screw



**(L) x28**  
15mm  
Screw



**(M) x4**  
Cover  
Cap



**(N) x1**  
Door Buffer

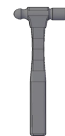


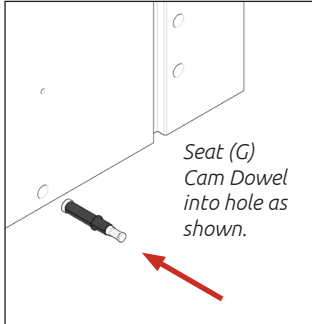
**(Z) x4**  
Shelf Peg Plastic

**REQUIRED TOOLS**

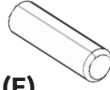


NOT to be used with CAM DOWEL & CAM LOCK

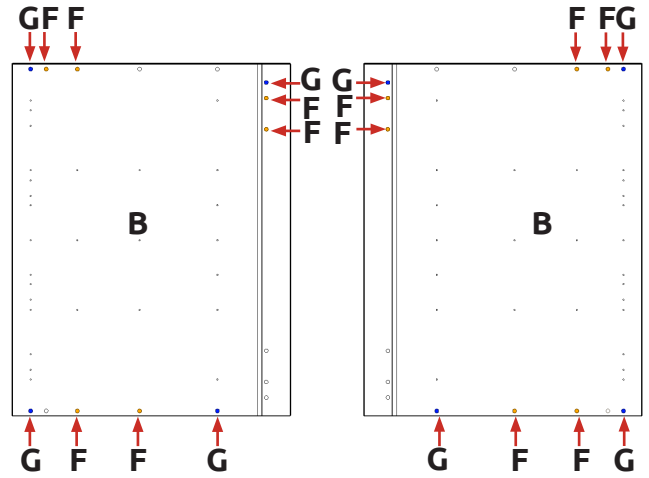
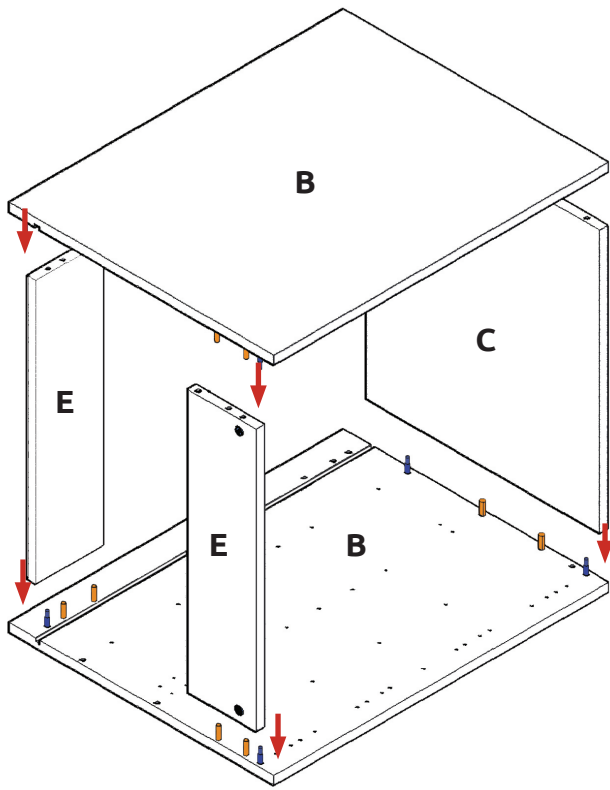
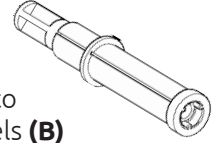




**Step 1.**  
Seat dowel (F)  
into holes in  
both end panels (B)  
as shown.




**Step 2.**  
Seat cam dowel (G)  
into holes in both end panels (B)  
as shown.

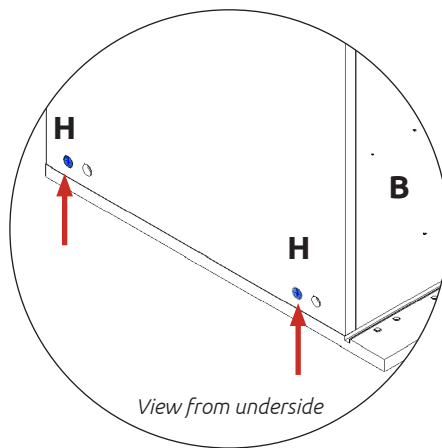
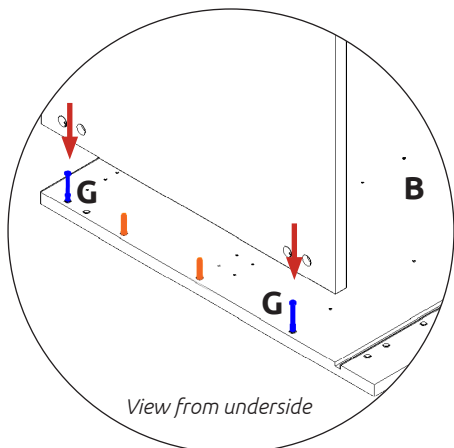



**Dowel (F)  
& Cam Dowel (G)  
location detail**

**Step 3.**  
Attach panels (C) to panels (B),  
using cam dowel (G) (in blue),  
and also using dowels (F) (in orange)  
in positions as shown.

 All Cam Locks (H) are to be positioned facing the outside of the unit carcass, for ease of tightening.

Do **not** use power tools with  
Cam Dowel (G) or cam lock (H)



 **Step 4.**  
Insert cam lock (H).  
Do NOT tighten until Step 6.

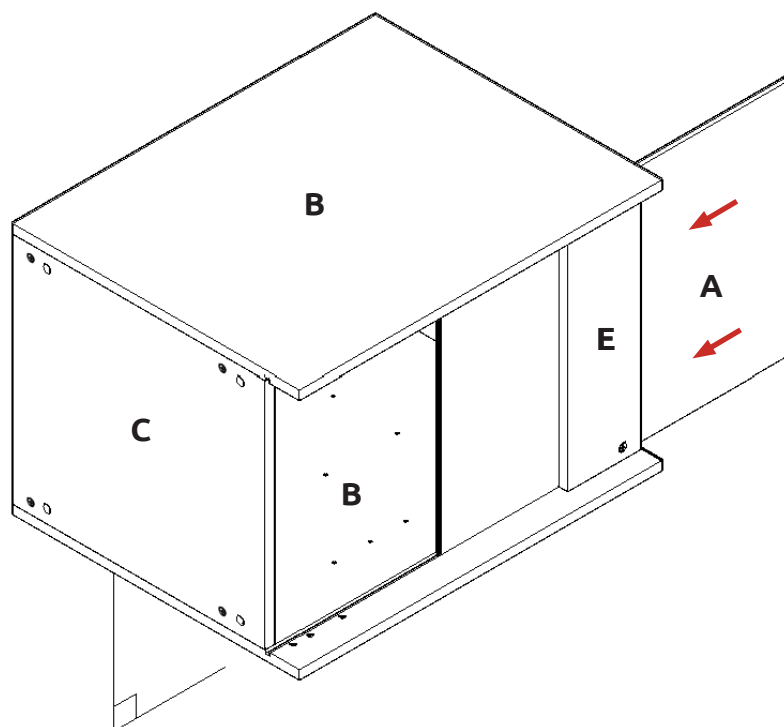


# BASE UNIT

## 300 - 600 1 Door Assembly Guide



**For the Bin Installation,**  
Back panel (A) should not be installed  
(Skip Steps 5 to 7).



### Step 5.

Slide back panel (A) into groove of end panels (B).

Once back panel (A) is in position, ensure the panel is flush & square with bottom of end panels (B).

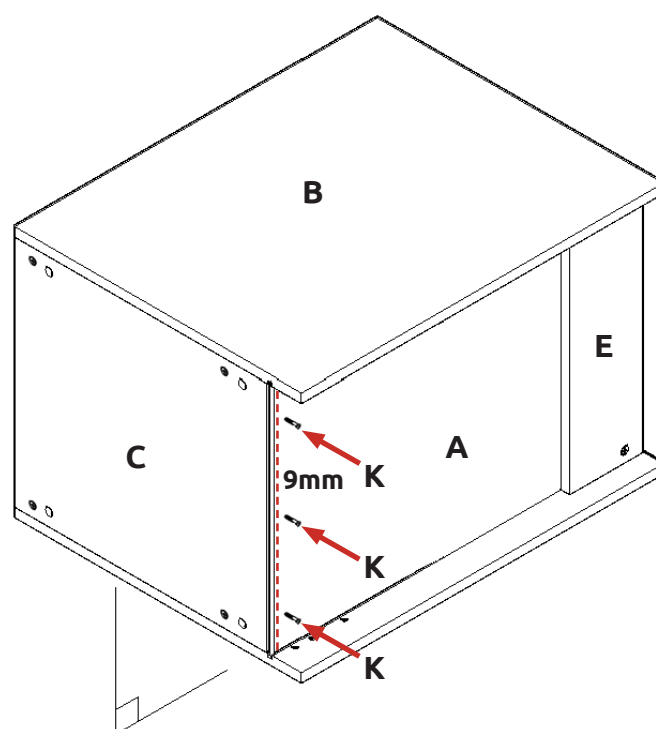
### Step 6.

Hand tighten all cam locks (H), this will expand cam dowels (G) and tighten the unit together.

### Step 7.

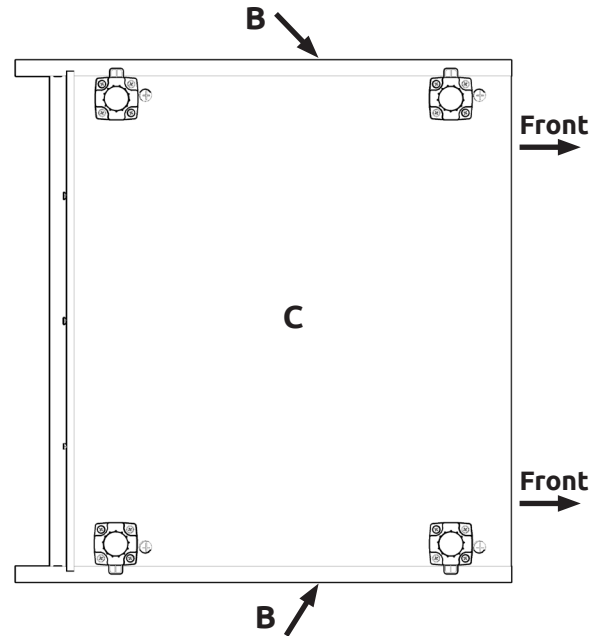
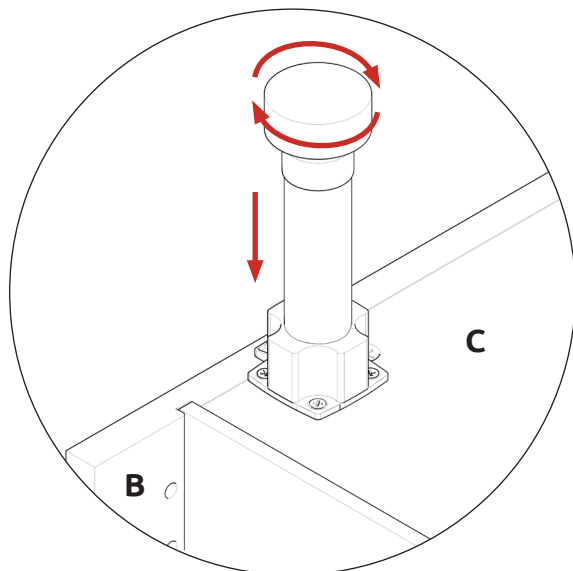
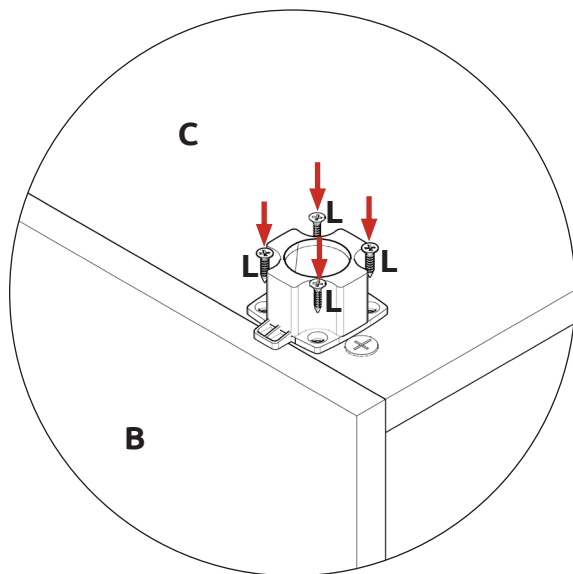
Ensure unit is square. Secure back panel (A) with 3 x 30mm screws (K) equally spaced at the bottom of back panel (A) into base panel (C), as shown.

Ensure you screw into the centre of base panel (C) (9mm from the edge).



**Step 8.**

Position legs as shown. Ensure legs are rotated to also provide support to the end panels (**B**).



**Leg position diagram**

**Step 9.**

Secure each of the legs into place with 4 x 15mm screws (**L**) per leg.

**Step 10.**

Push leg firmly down into leg base. Adjust legs to 155mm before turning unit upright. Once in situ level accordingly.

Vogue

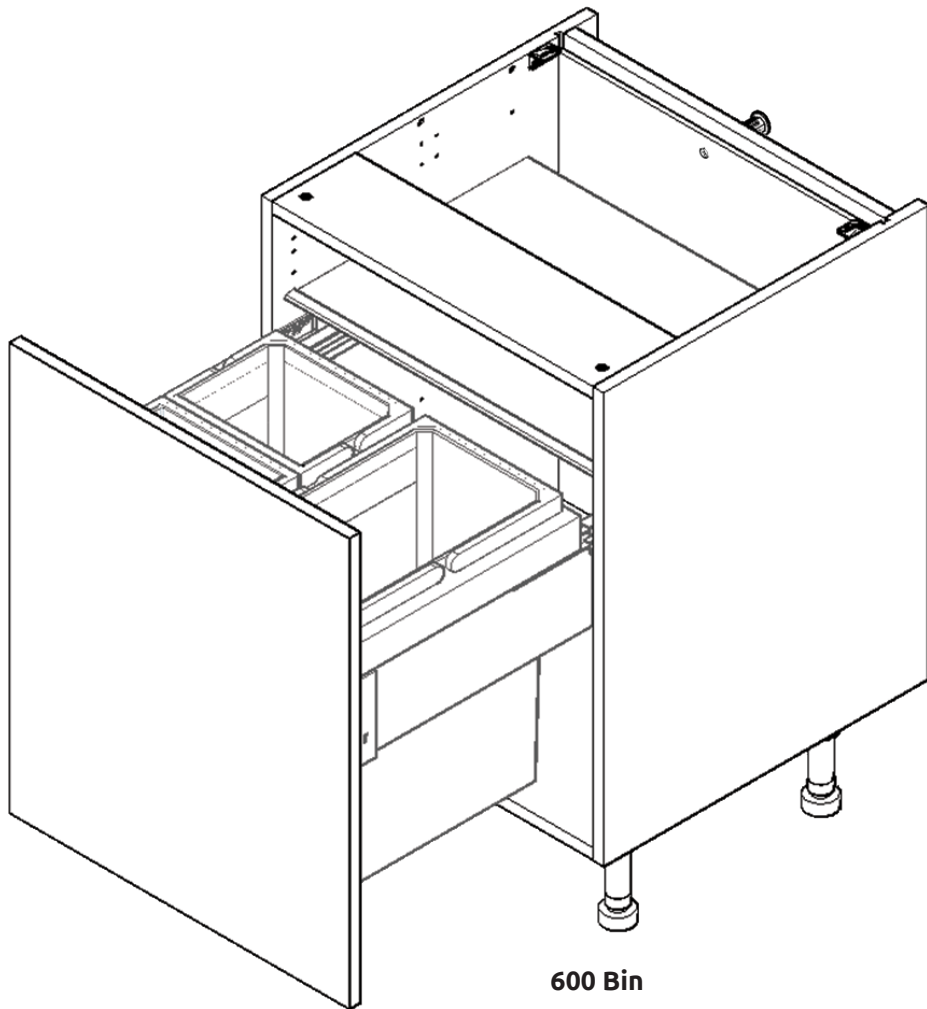
# BASE UNIT

## 300 - 600 1 Door Assembly Guide

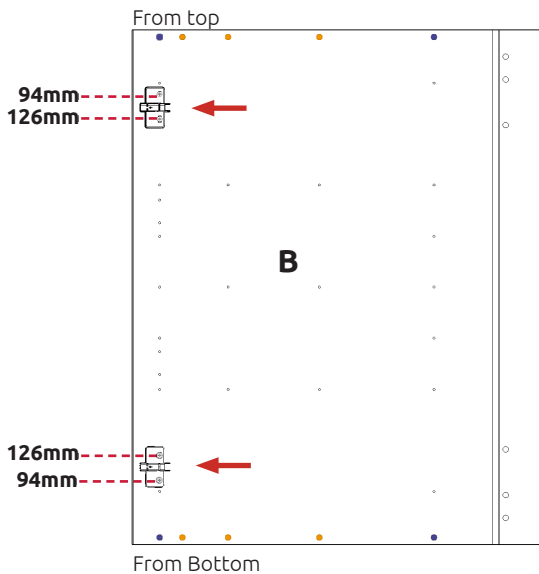


### 600 Bin Unit

Please refer to separate instructions included with your 600 bin.



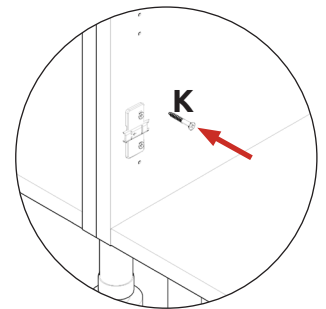
600 Bin



### Step 11.

Attach hinge mounting plate onto end panels **(B)** as shown, using screws which are positioned within the hinge plates.

**Hinge side or sides to be mounted in accordance to Customer Specific Kitchen Plan.**



### Securing to Adjacent Units

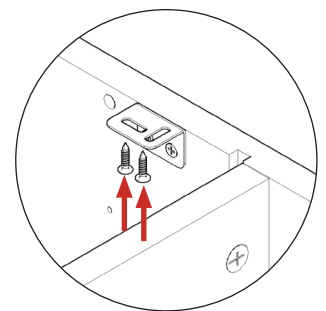
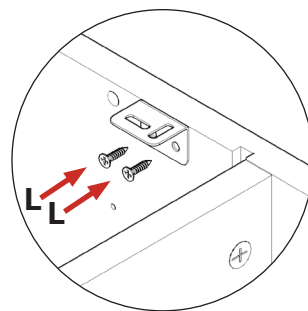
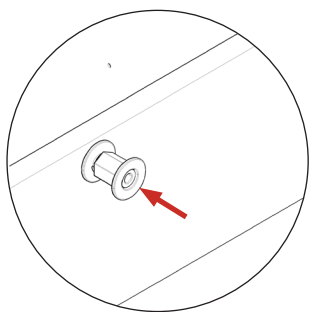
Screw into any side units using the 30mm screws **(K)** provided to secure to unit. Screw just to the rear of the hinge plate at the top and bottom of both sides of the unit, place a cover cap **(M)** on the head to conceal it.



Screws for attaching to walls and worktop are not provided as these vary depending on materials, thickness and construction. Ensure appropriate fixings for wall and worktop construction are used. Please refer to the specialist worktop supplier if these are required for solid surface worktops.

### L Brackets

Use 2 x 15mm screws **(L)** to secure each of the L brackets to the unit at either side. Then screw up through into the worktop as shown.

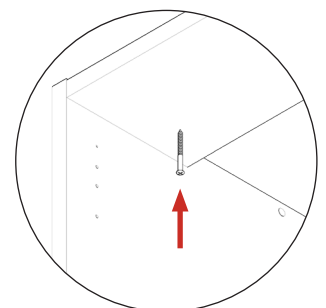


### Secure Unit to Wall

Using Space-Plug. Drill 1 pilot hole through the back brace into the wall and insert wall plug. Then unwind space plug until it contacts both surfaces. Finally, tighten the screws.

### Worktop

Screw up through the front rail into your worktop to secure it in place.



# BASE UNIT

## 300 - 600 1 Door Assembly Guide



The following steps are not required for bin units.

### Step 12.

Insert hinge in top & bottom holes as shown below.

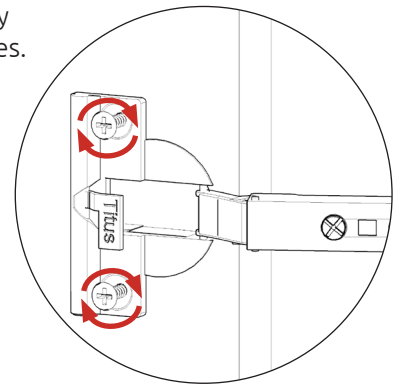
### Step 13.

Secure hinges by tightening 2 x screws with hinge dowels attached. These are already positioned within the hinges.

### Step 14.

Attach the door to unit where required.

To attach door, clip hinge onto hinge plate and click to secure.



### Step 15.

Adjust hinge to suit. As shown below.

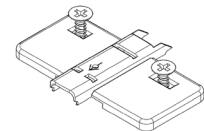
**FRONTAL HINGE ADJUSTMENT**

To **adjust** hinge using a screw driver, tighten or loosen as required at points **1 & 2**.  
 Point **1** - In - Out  
 Point **2** - Left - Right

To **Move** the hinge up/down, loosen screws A + B, Manoeuvre the door, then re-tighten the screws

To **release** door, pull catch as shown, to release hinge from the hinge plate.

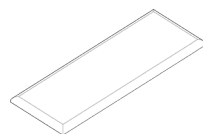
*View from inside of Unit*



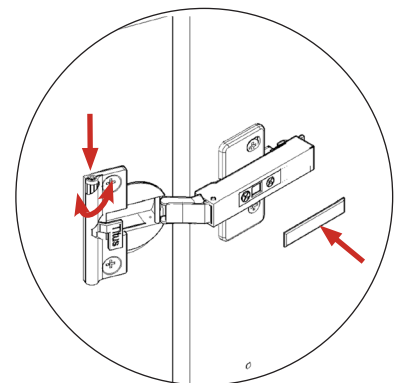
Hinge Plates

### Step 16.

Fit cover caps to hinge. Adjust Soft close to suit.



Hinge Cover Caps



The top and bottom hinges **MUST** be adjusted to the **SAME STRENGTH**.