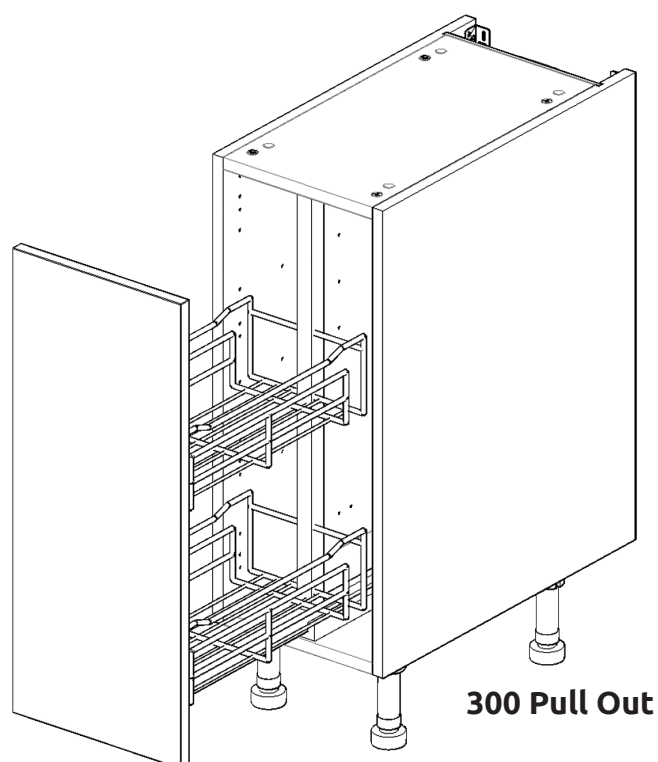
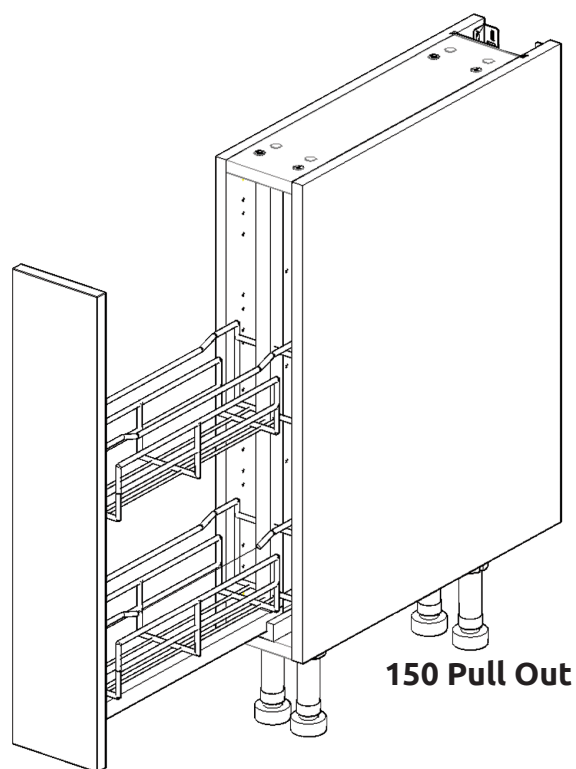


*Vogue*

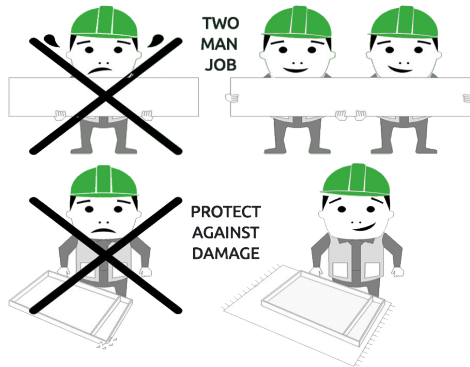
# BASE UNIT

## 150 - 300 Pull Out Assembly Guide



# BASE UNIT

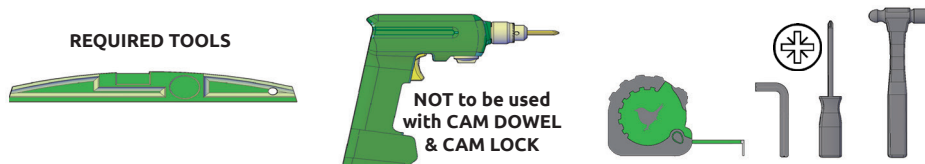
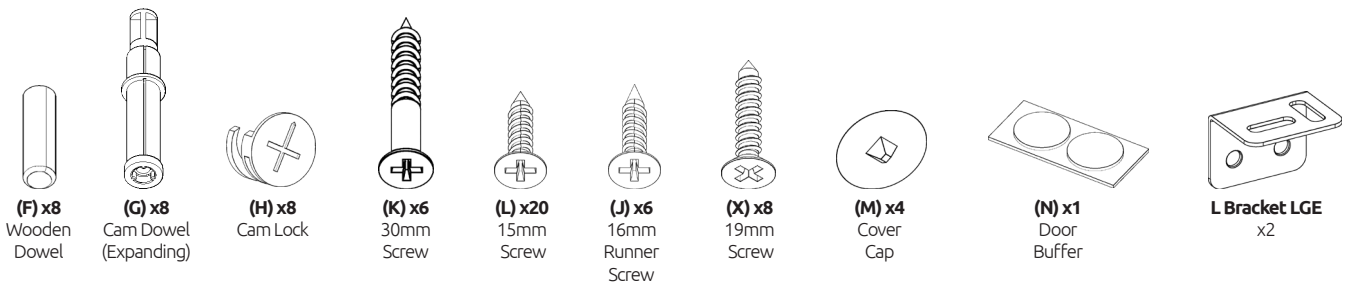
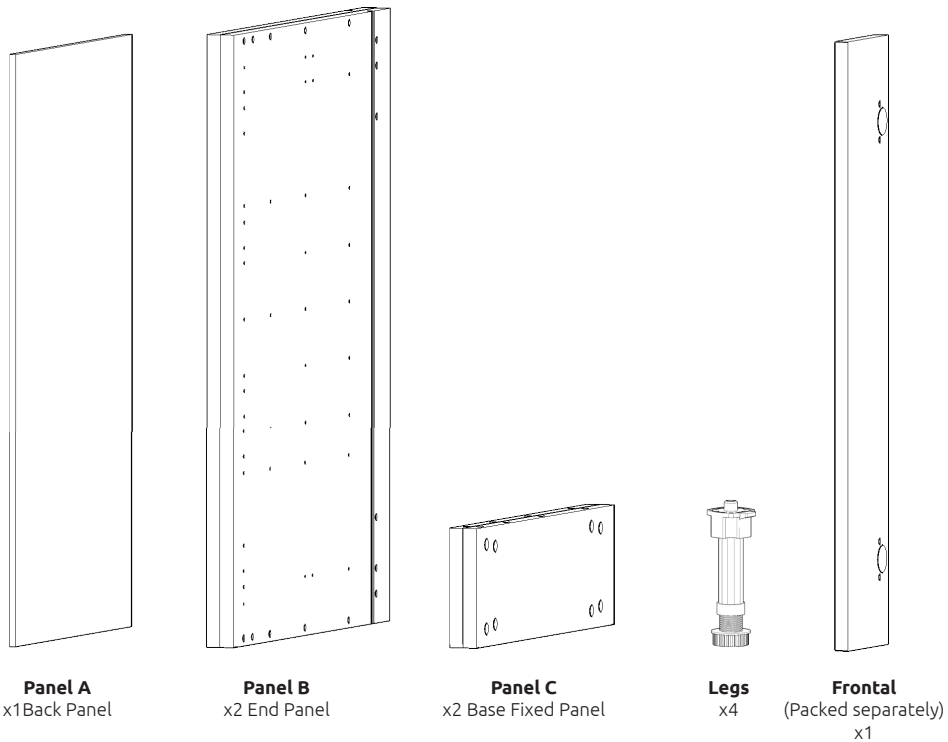
## 150 - 300 Pull Out Assembly Guide

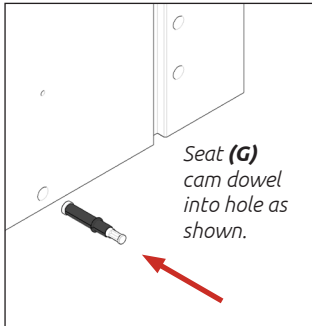


**BEFORE YOU START**

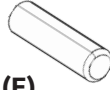
INSTALLATION SHOULD BE PERFORMED BY A COMPETENT PERSON ONLY.

THIS PRODUCT COULD BE DANGEROUS IF INCORRECTLY INSTALLED

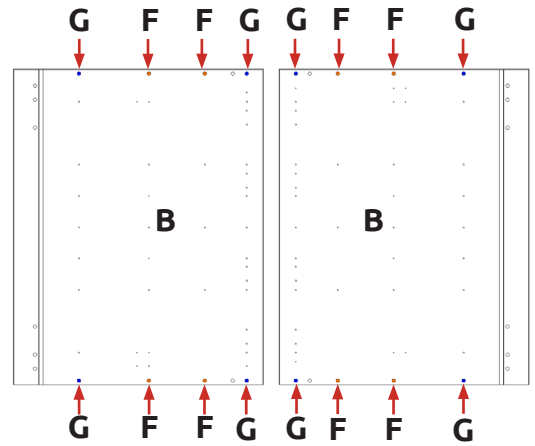
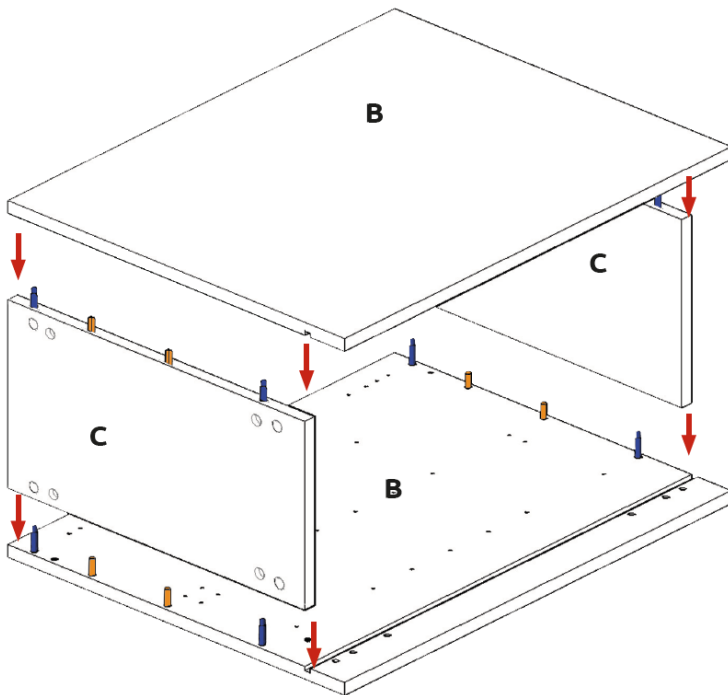
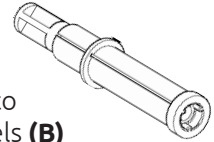




**Step 1.**  
Seat dowel (F) into holes in both end panels (B) as shown.



**Step 2.**  
Seat cam dowel (G) into holes in both end panels (B) as shown.

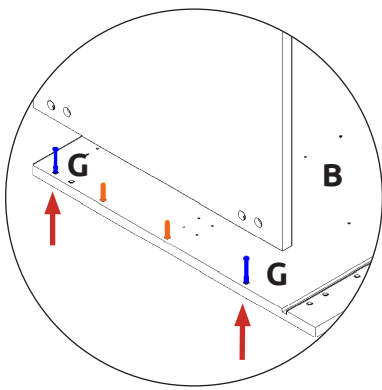


**Dowel (F) & Cam Dowel (G) location detail**

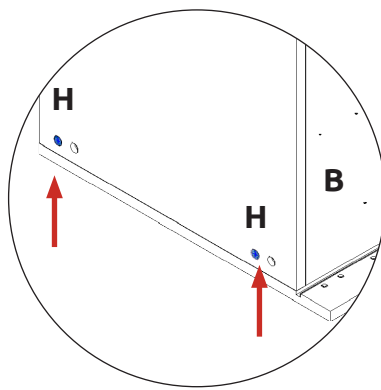
**Step 3.**  
Attach panels (C) to panels (B), using cam dowel (G) (in blue), and also using dowels (F) (in orange) in positions as shown.

**!** All Cam Locks (H) are to be positioned facing the outside of the unit carcase, for ease of tightening.

Do **NOT** use power tools with cam dowel (G) or cam lock (H)

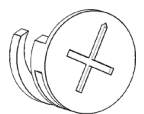


View from underside



View from underside

**!** **Step 4.**  
Insert cam lock (H).  
Do **NOT** tighten until Step 6.

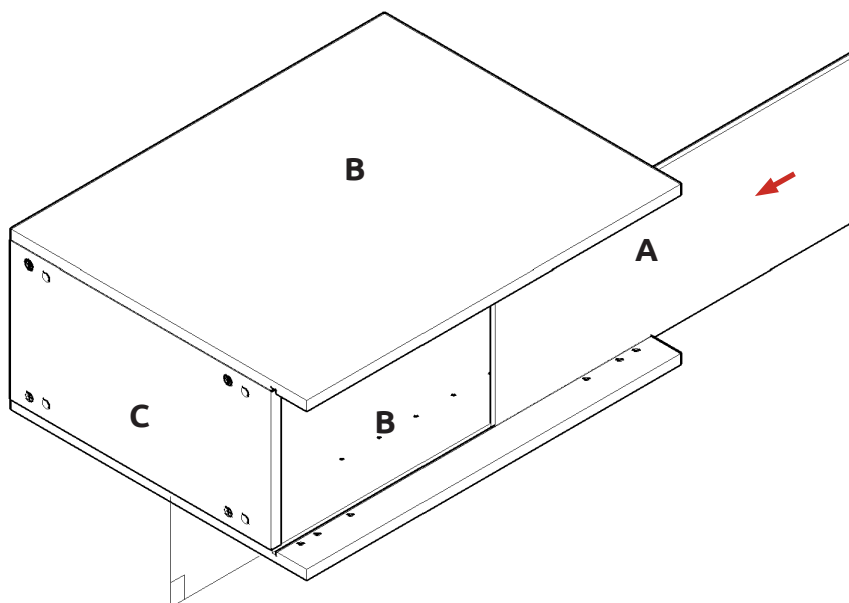


# BASE UNIT

## 150 - 300 Pull Out Assembly Guide

### Step 5.

Slide back panel (A) into groove of end panels (B). Once back panel (A) is in position, ensure the panel is flush & square with bottom of end panels (B).



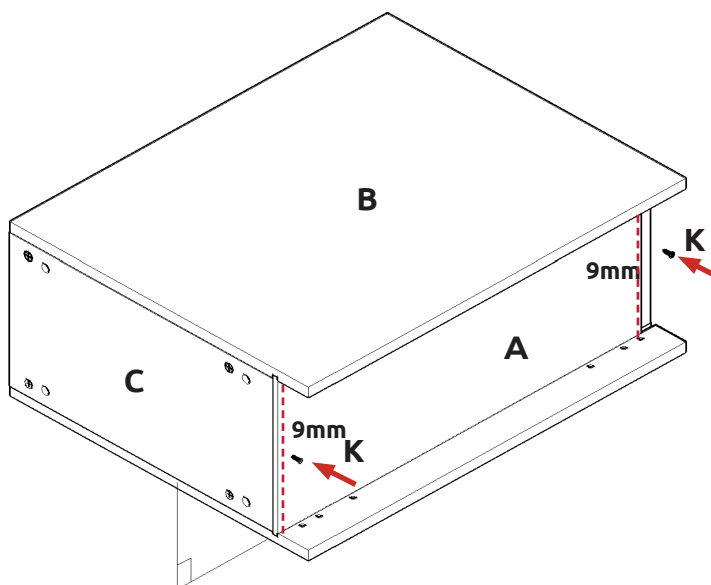
### Step 6.

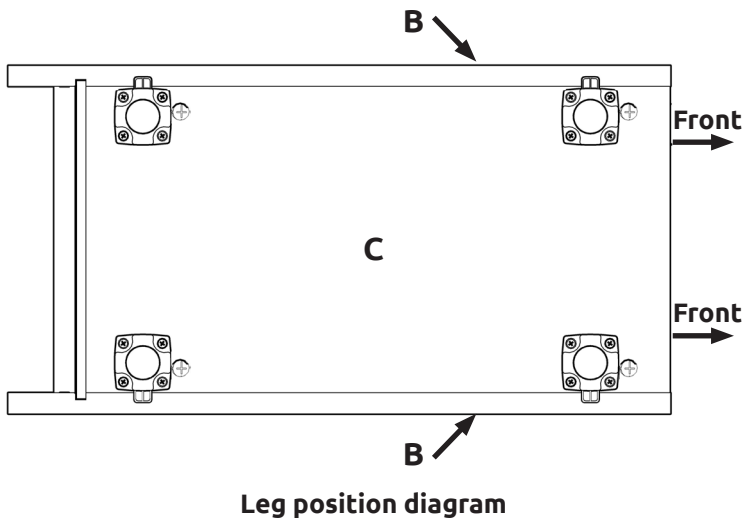
Ensure unit is square. Hand tighten all cam locks (H), this will expand cam dowels (G) and tighten the unit together.

### Step 7.

Secure back panel (A) with 2 x 30mm screws (K) equally spaced at the top & bottom of back panel (A) into both fixed panels (C), as shown.

Ensure you screw into the centres of the base panels (C) (9mm from the edge).



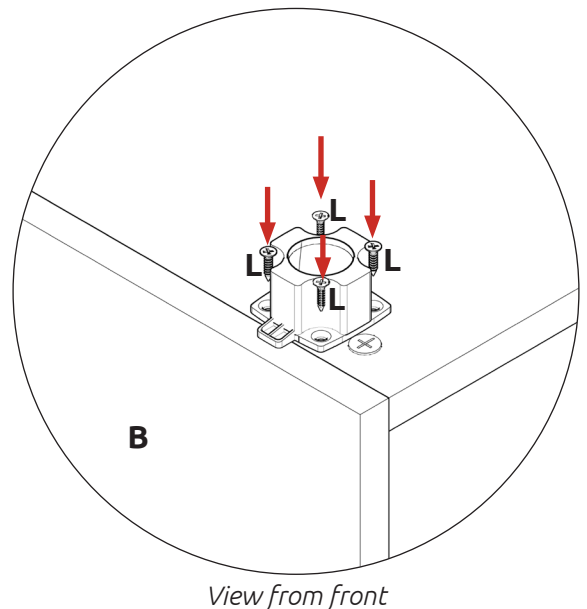


**Step 8.**

Position legs as shown. Ensure legs are rotated to also provide support to the end panels (**B**).

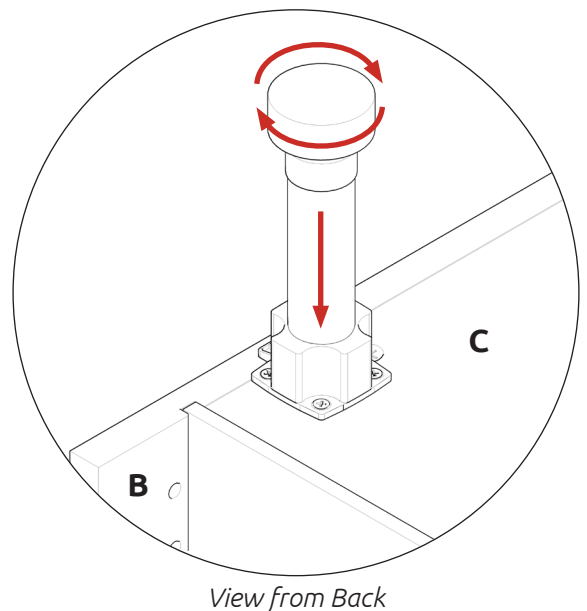
**Step 9.**

Secure each of the legs into place with 4 x 15mm screws (**L**) per leg.



**Step 10.**

Push leg firmly down into leg base. Adjust legs to 155mm before turning unit upright. Once in situ level accordingly.



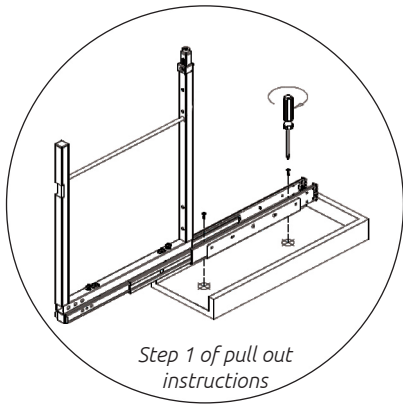
# BASE UNIT

## 150 - 300 Pull Out Assembly Guide

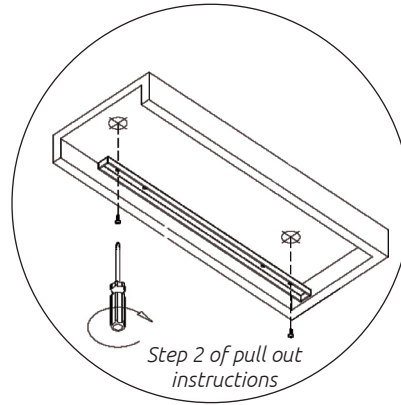


### Pull Out Pack

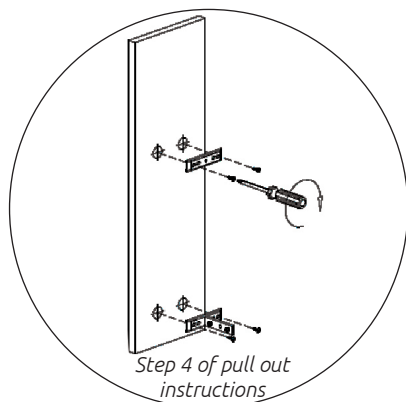
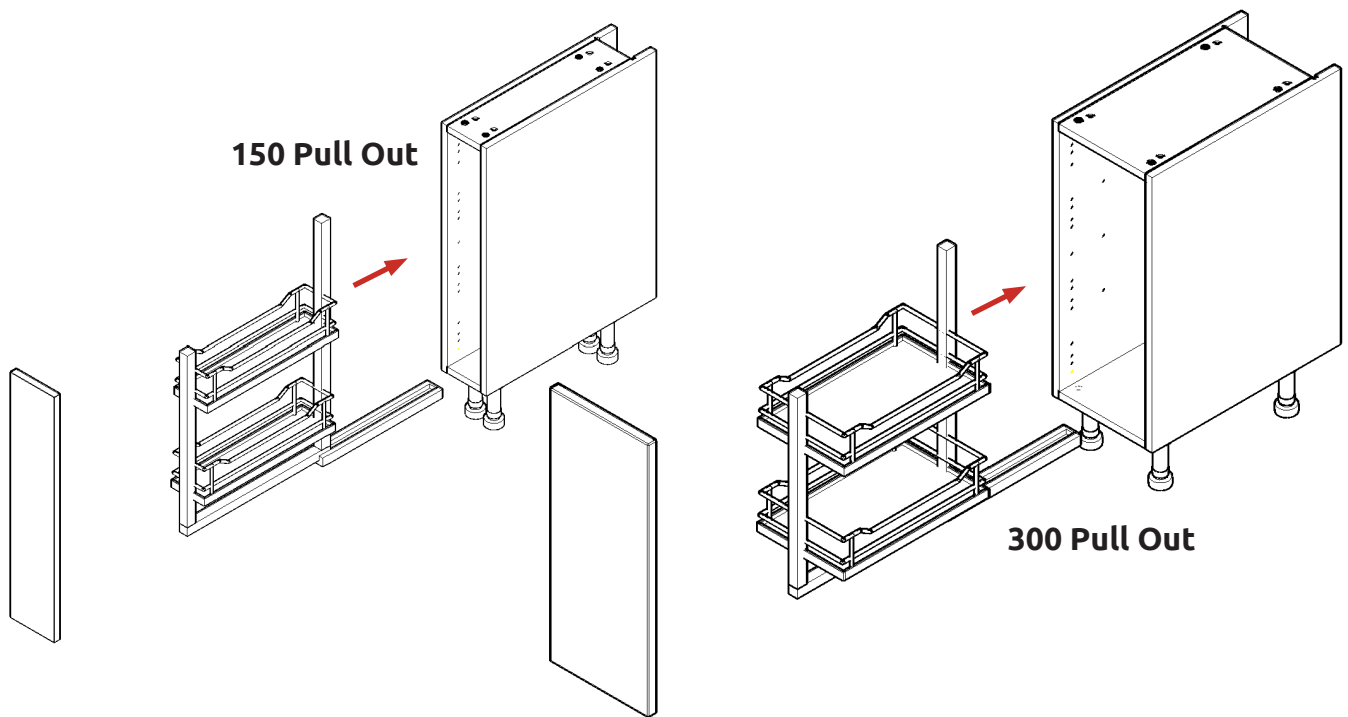
Please refer to separate installation instructions included with your pull out contents.



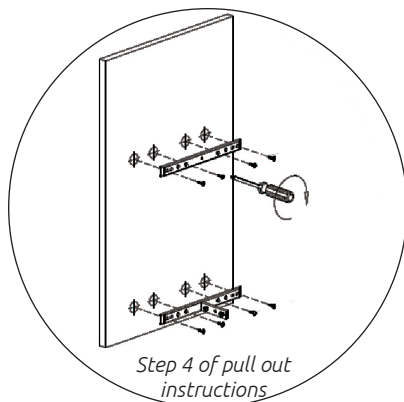
**For Step 1 in pull out instructions.**  
Use 16mm screws.



**For Step 2 in pull out instructions.**  
Use 16mm screws.



Step 4 of pull out instructions

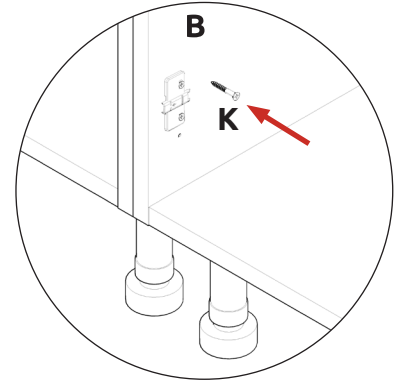


Step 4 of pull out instructions

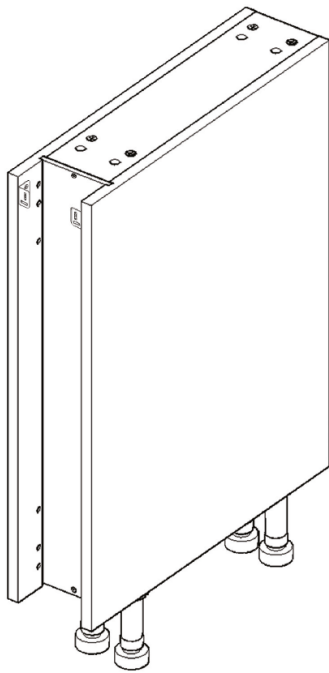
**For Step 4 in pull out instructions.**  
Use 16mm screws.

### Screw to Adjacent Unit

Screw through side panels (**B**) where appropriate, into any side units, using the 30mm screws (**K**) provided to secure to unit. Place a cover cap (**M**) on the head to conceal it.

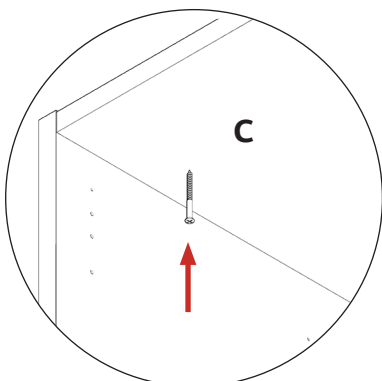
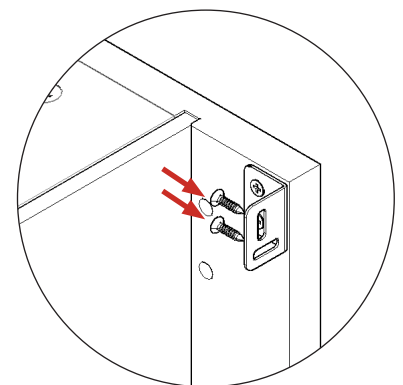
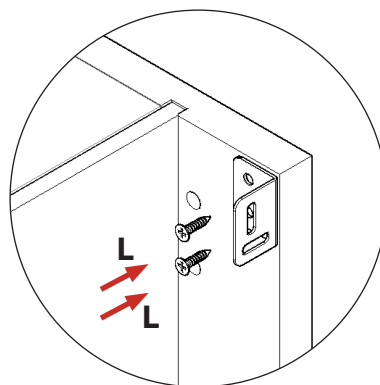


Screws for attaching to walls and worktop are not provided as these vary depending on materials, thickness and construction. Ensure appropriate fixings for wall and worktop construction are used. Please refer to the specialist worktop supplier if these are required for solid surface worktops.



### L Brackets

Where applicable, secure unit to the wall using 2 x 15mm screws (**L**) to secure each of the L brackets LGE to the units at either side. Then screw through into the wall as shown.



### Worktop

Screw up through panel (**C**) into your worktop to secure it in place.

**wren**  
KITCHENS