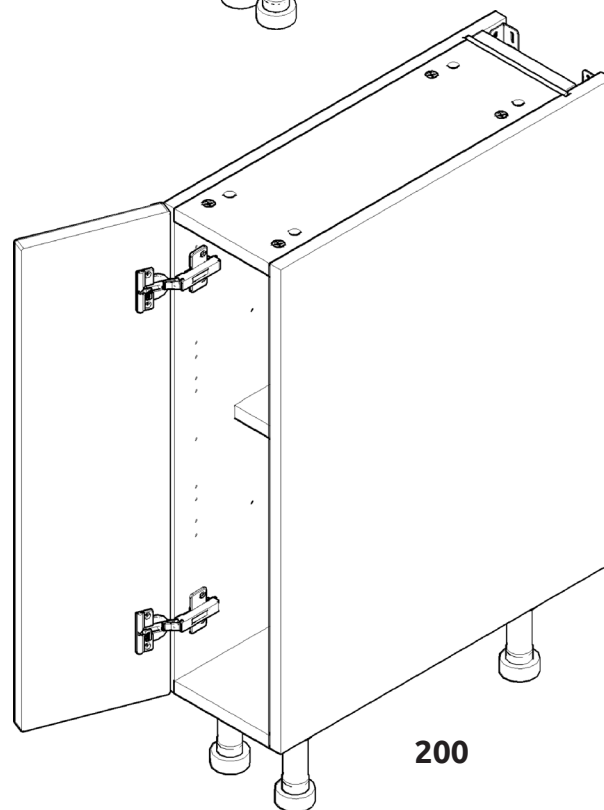
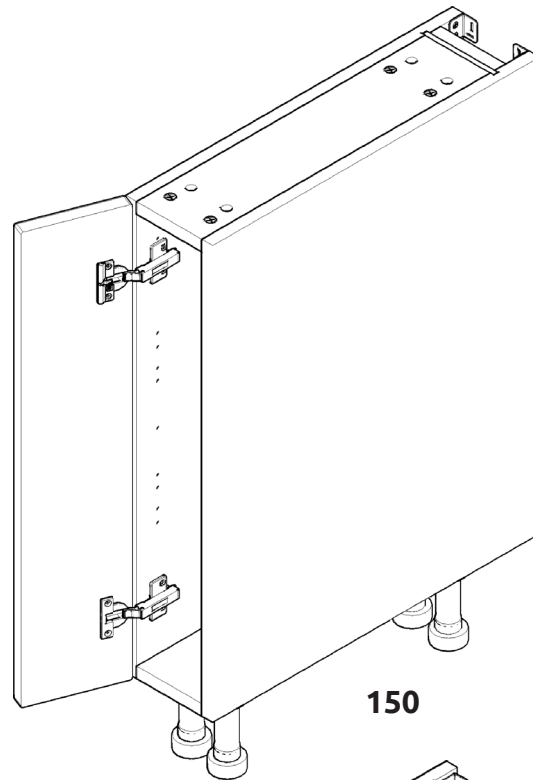


Vogue

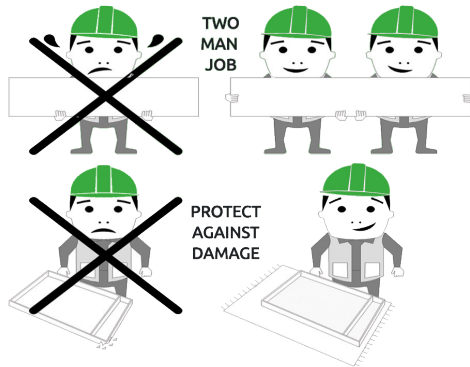
BASE UNIT

150 - 200 1 Door Assembly Guide



BASE UNIT

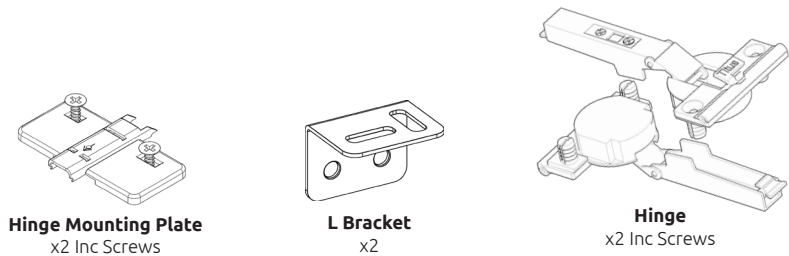
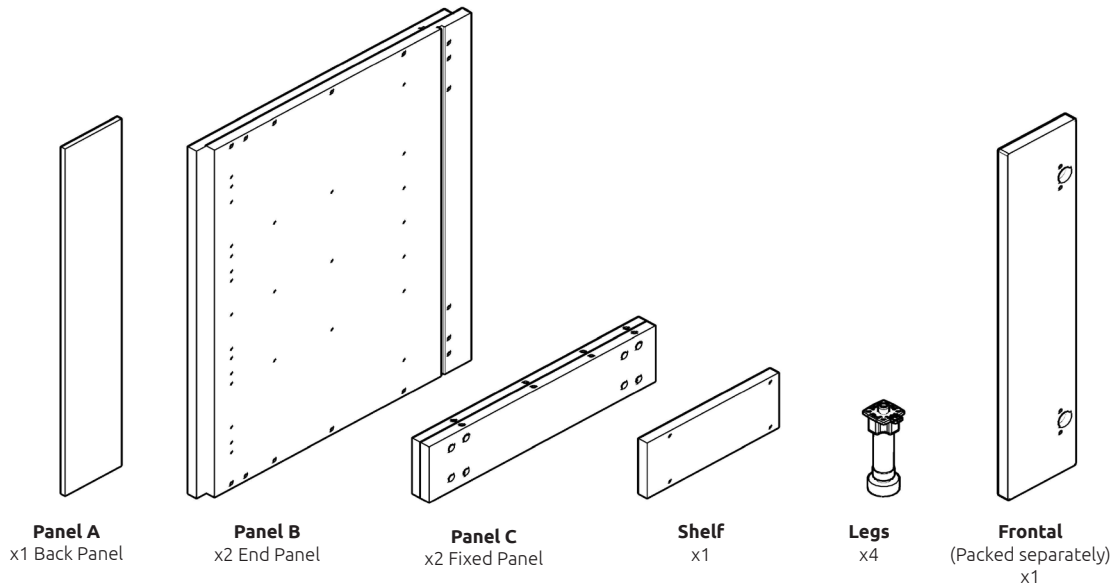
150 - 200 1 Door Assembly Guide



BEFORE YOU START

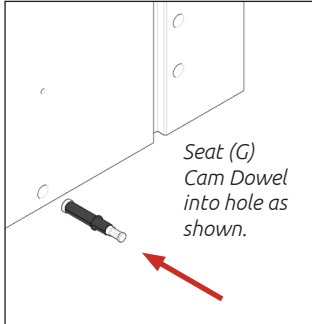
INSTALLATION SHOULD BE PERFORMED BY A COMPETENT PERSON ONLY.

THIS PRODUCT COULD BE DANGEROUS IF INCORRECTLY INSTALLED

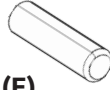


REQUIRED TOOLS

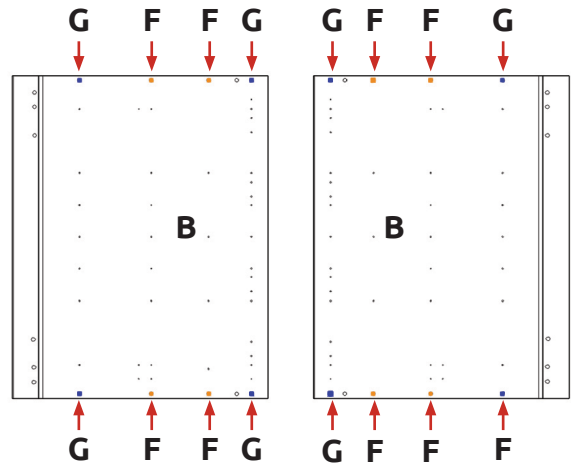
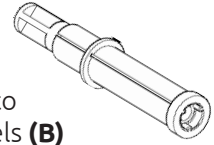




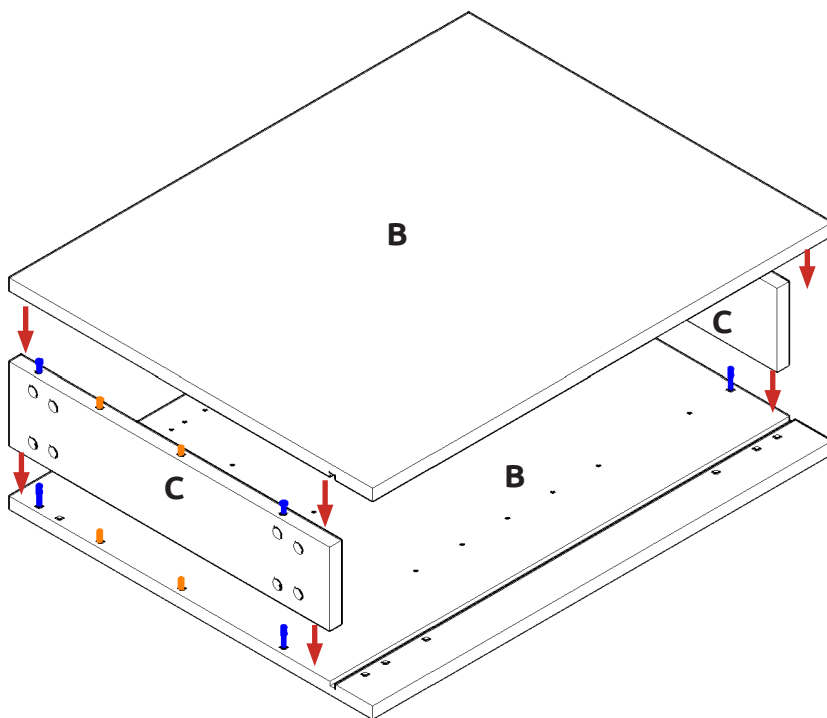
Step 1.
Seat dowel (F)
into holes in
both end panels (B)
as shown.




Step 2.
Seat cam dowel (G)
into holes in both end panels (B)
as shown.



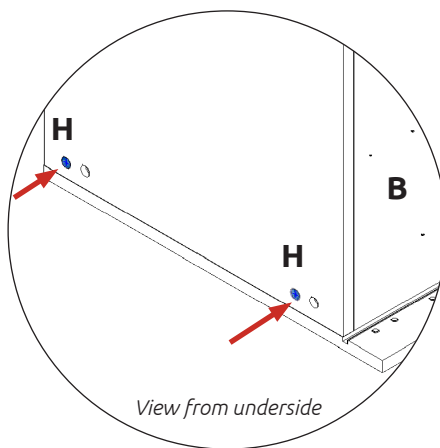
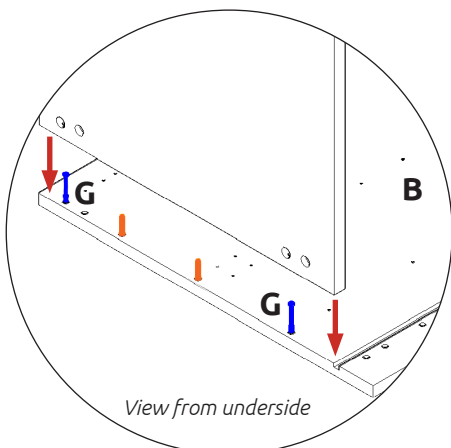
Dowel (F)
& Cam Dowel (G)
location detail




Step 3.
Attach panels (C) to panels (B),
using cam dowel (G) (in blue),
and also using dowels (F) (in orange)
in positions as shown.

 All Cam Locks (H) are to be positioned facing the outside of the unit carcass, for ease of tightening.

Do **not** use power tools with
cam dowel (G) or cam lock (H)



 **Step 4.**
Insert cam lock (H).
Do NOT tighten until Step 6.



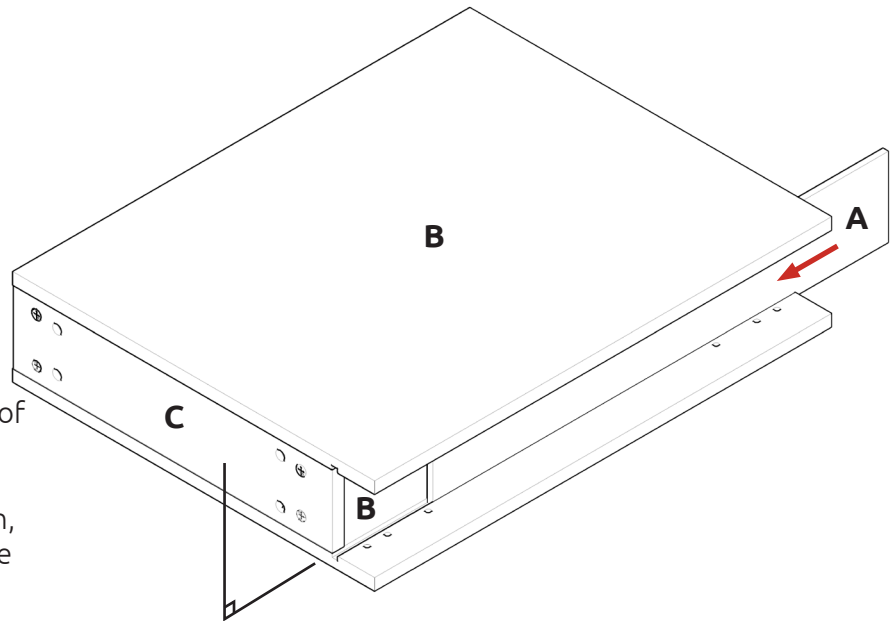
BASE UNIT

150 - 200 1 Door Assembly Guide

Step 5.

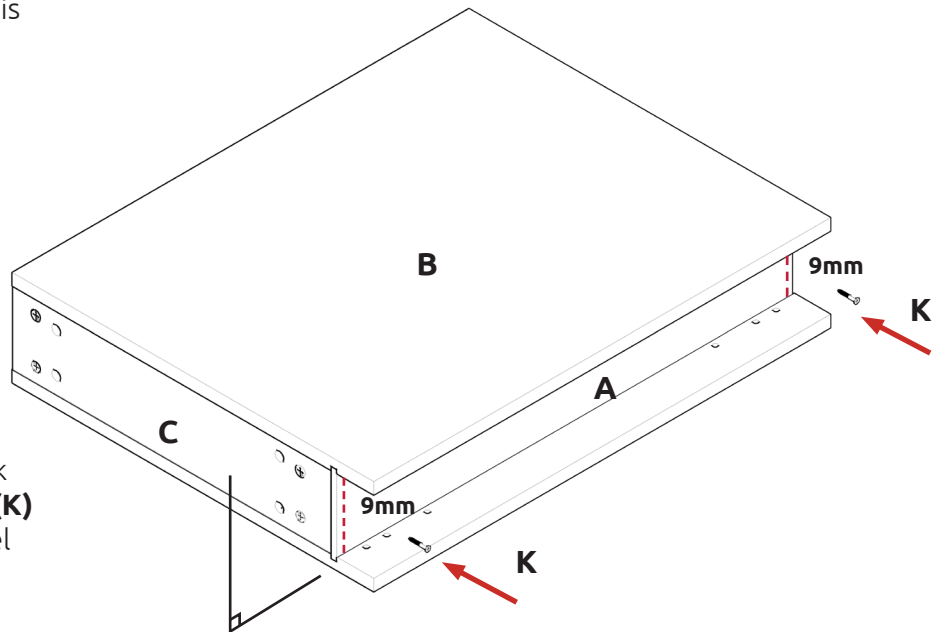
Slide back panel (A) into groove of end panels (B).

Once back panel (A) is in position, ensure the panel is flush & square with bottom of end panels (B).



Step 6.

Hand tighten all cam locks (H), this will expand cam dowels (G) and tighten the unit together.

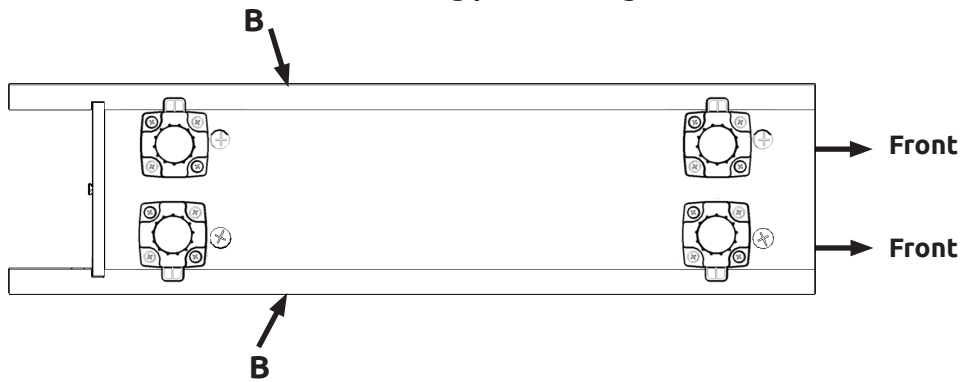


Step 7.

Ensure unit is square. Secure back panel (A) with 2 x 30mm screws (K) at the top & bottom of back panel (A) into both fixed panels (C), as shown.

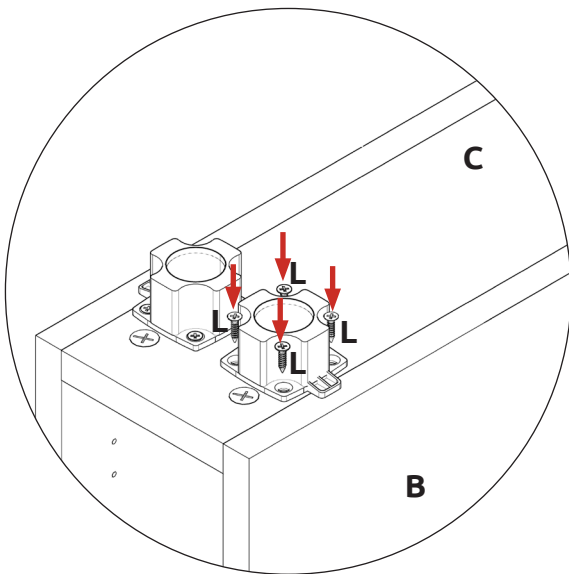
Ensure you screw into the centres of the base panels (C) (9mm from the edge).

Leg position diagram



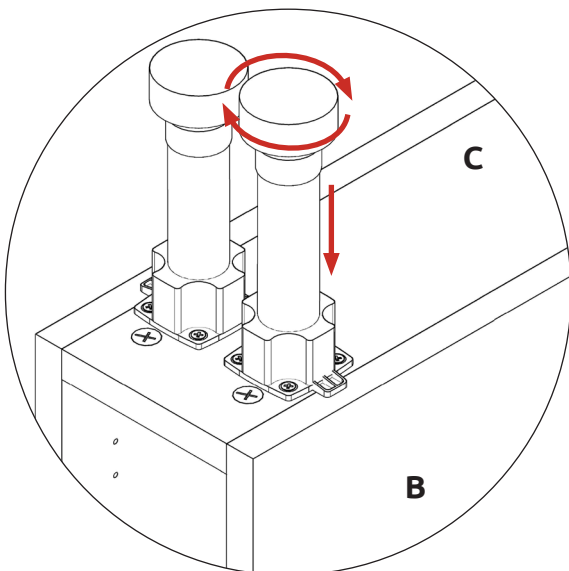
Step 8.

Position legs as shown. Ensure legs are rotated to also provide support to the end panels (**B**).



Step 9.

Secure each of the legs into place with 4 x 15mm screws (**L**) per leg.

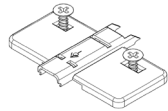


Step 10.

Push leg firmly down into leg base. Adjust legs to 155mm before turning unit upright. Once in situ level accordingly.

BASE UNIT

150 - 200 1 Door Assembly Guide

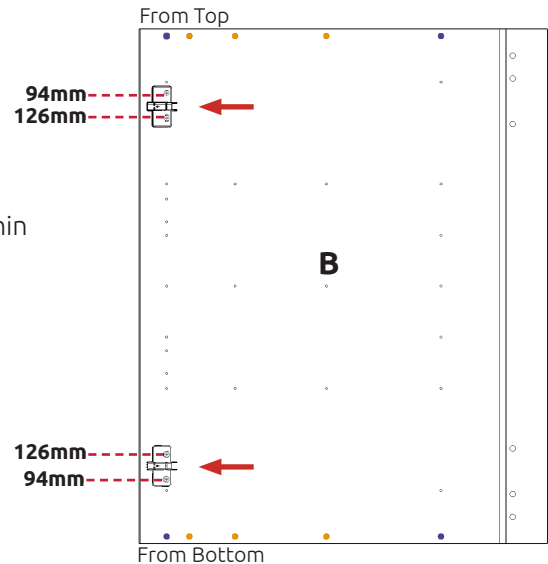
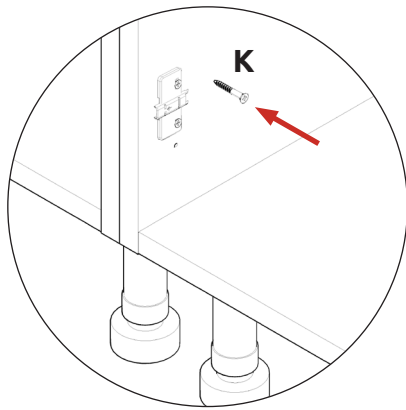


Hinge Plates

Step 11.

Attach hinge mounting plate onto both End Panel or panels, **(B)** as shown, using Screws which are already positioned within the Hinge Plates.

Hinge side or sides to be mounted in accordance to Customer Specific Kitchen Plan.



Securing to Adjacent Units

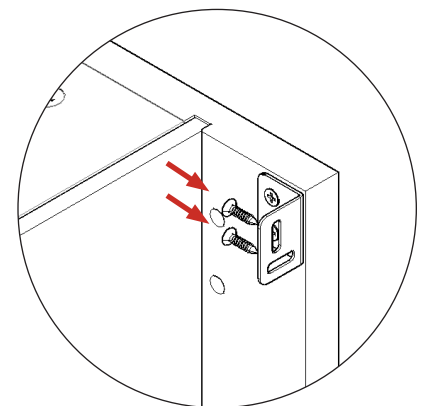
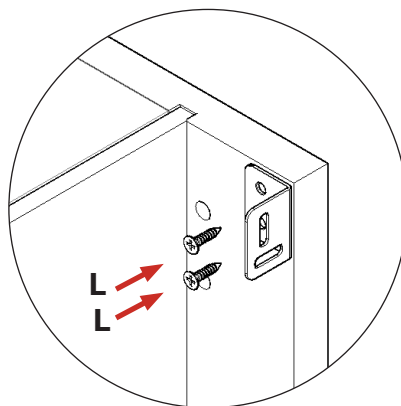
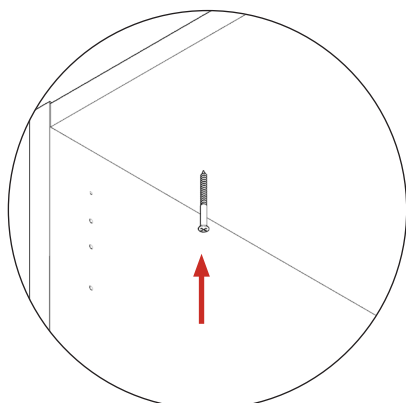
Screw into any side units using the 30mm screws **(K)** provided to secure to unit. Screw just to the rear of the hinge plate at the top and bottom of both sides of the unit, place a cover cap **(M)** on the head to conceal it.



Screws for attaching to walls and worktop are not provided as these vary depending on materials, thickness and construction. Ensure appropriate fixings for wall and worktop construction are used. Please refer to the specialist worktop supplier if these are required for solid surface worktops.

L Brackets

Use 2 x 15mm screws **(L)** to secure each of the L brackets to the unit at either side. Then screw through into the wall as shown.



Worktop

Screw up through panel **(C)** into your worktop to secure it in place.



Step 12.

Insert hinge in top & bottom holes as shown below.

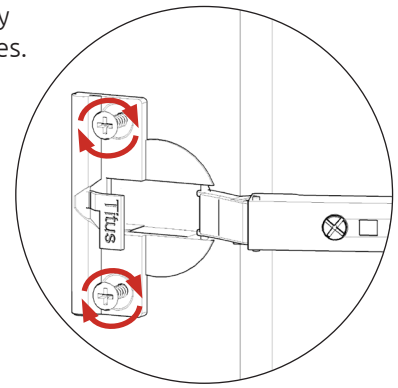
Step 13.

Secure hinges by tightening 2 x screws with hinge dowels attached. These are already positioned within the hinges.

Step 14.

Attach the door to unit where required.

To attach door, clip hinge onto hinge plate and click to secure.



Step 15.

Adjust hinge to suit. As shown below.

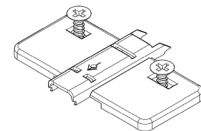
FRONTAL HINGE ADJUSTMENT

To **Move** the hinge up/down, loosen screws A + B, Manoeuvre the door, then re-tighten the screws

To **adjust** hinge using a screw driver, tighten or loosen as required at points **1 & 2**.
Point **1** - In - Out
Point **2** - Left - Right

To **release** door, pull catch as shown, to release hinge from the hinge plate.

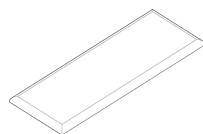
View from inside of Unit



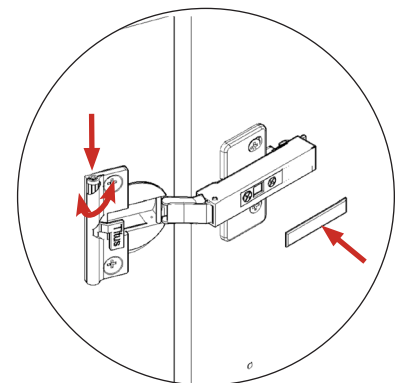
Hinge Plates

Step 16.

Fit cover caps to hinge. Adjust Soft close to suit.



Hinge Cover Caps



The top and bottom hinges **MUST** be adjusted to the **SAME STRENGTH.**

wren
KITCHENS