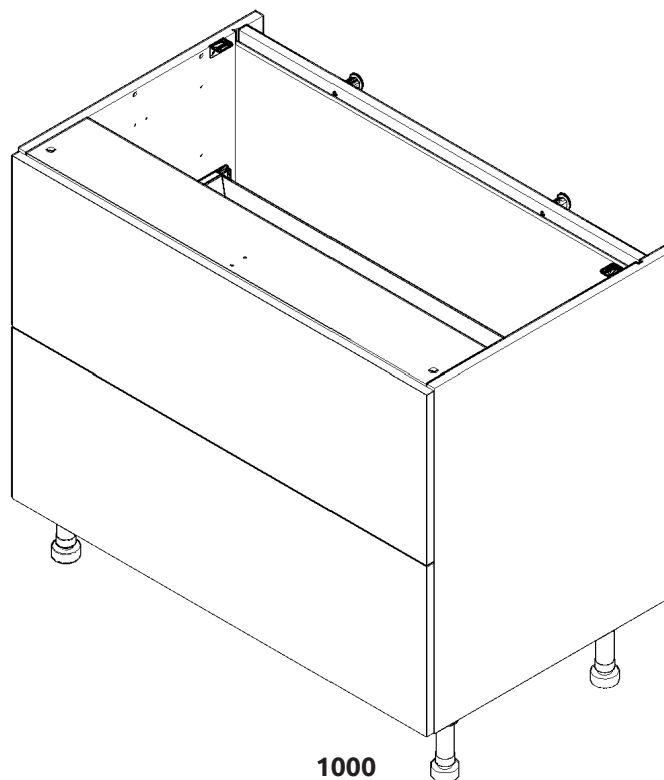


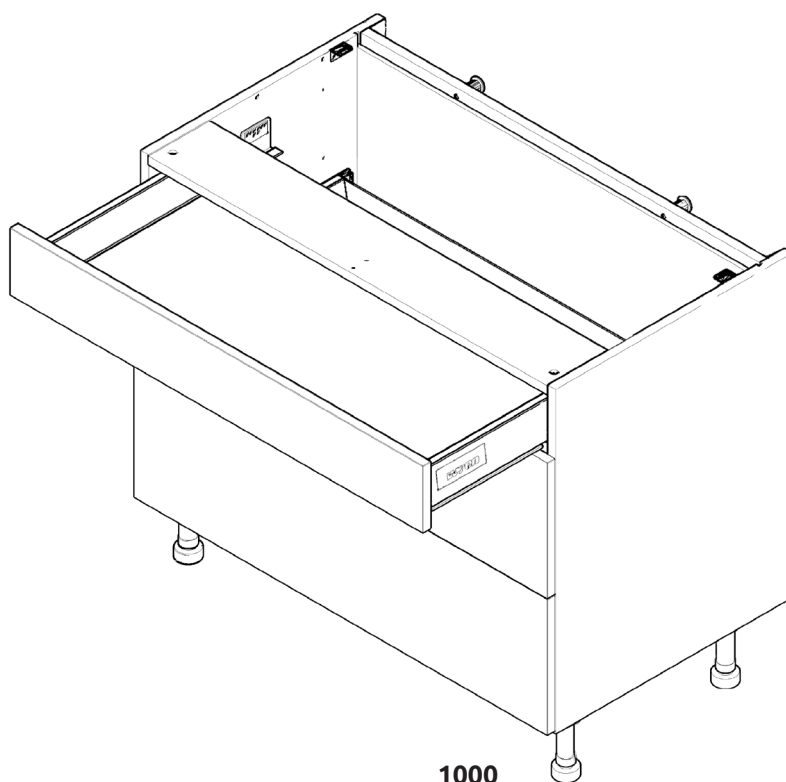
Vogue

BASE UNIT

1000 2/3 Drawer Assembly Guide



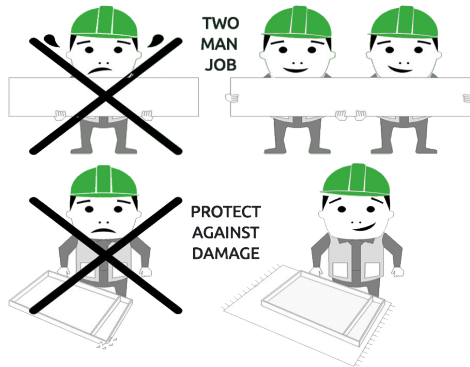
1000
2 Drawer



1000
3 Drawer

BASE UNIT

1000 2/3 Drawer Assembly Guide



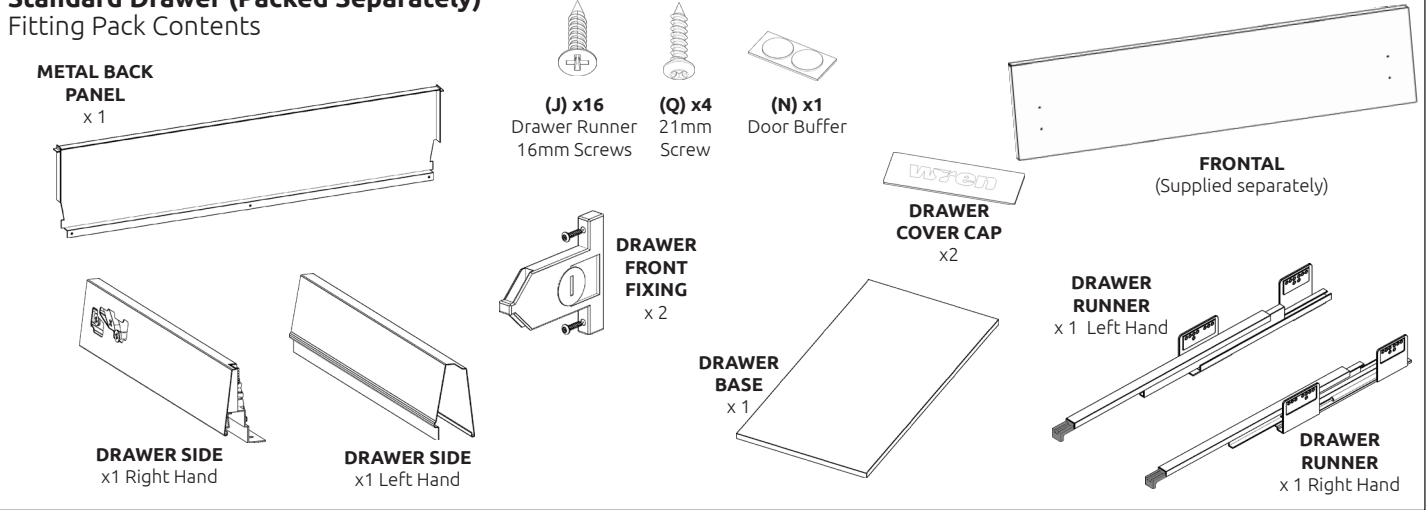
BEFORE YOU START

INSTALLATION SHOULD BE PERFORMED BY A COMPETENT PERSON ONLY.

THIS PRODUCT COULD BE DANGEROUS IF INCORRECTLY INSTALLED

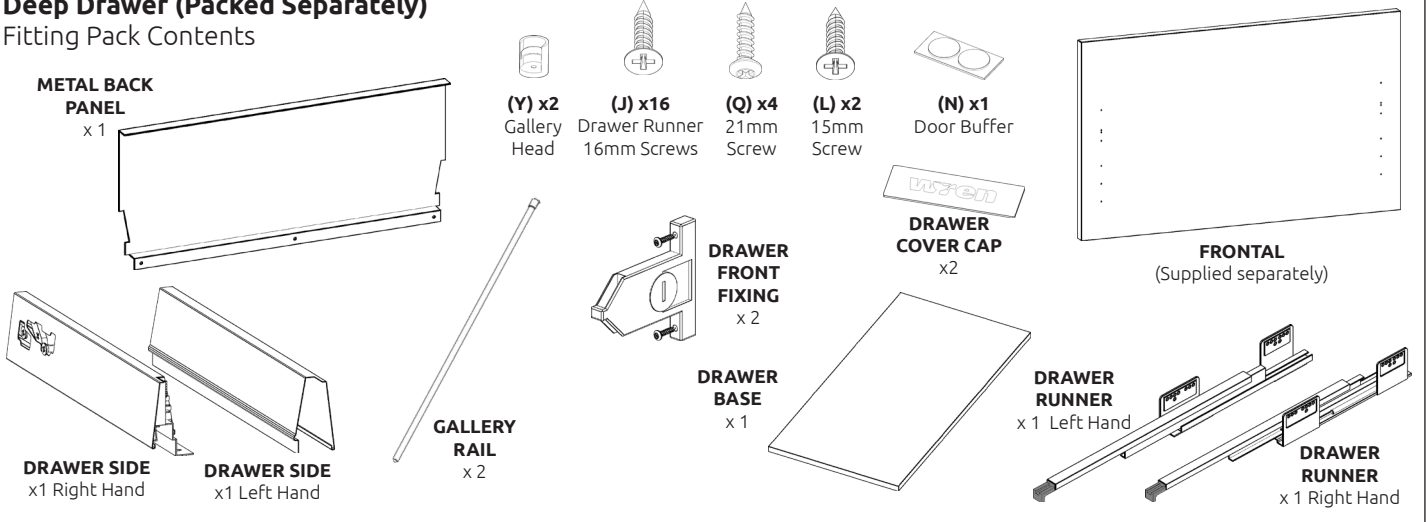
Standard Drawer (Packed Separately)

Fitting Pack Contents



Deep Drawer (Packed Separately)

Fitting Pack Contents



REQUIRED TOOLS



Step 1.

Secure drawer base to drawer side using 4 x 16mm drawer runner screws (**J**) in holes provided.

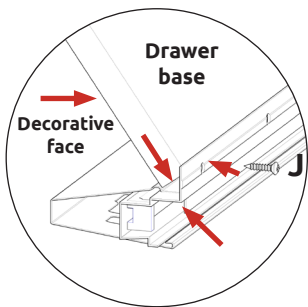
Seat the edge of drawer base tight into corner of casing, as shown.

The decorative face of drawer base to be positioned as shown.

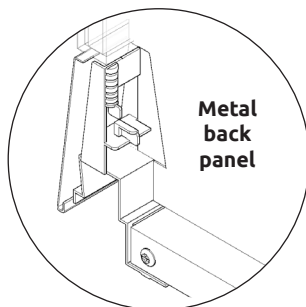
Repeat step 1 so both drawer sides are attached to drawer base.

Step 2.

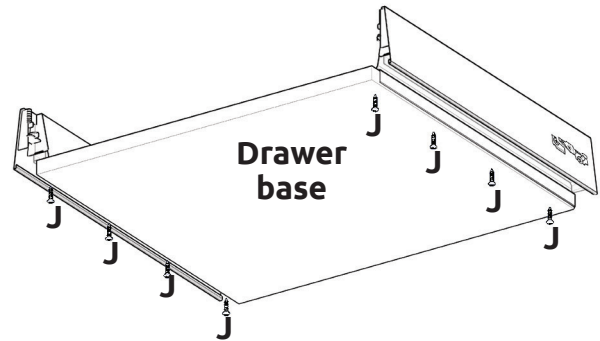
Clip on metal back panel to drawer base & drawer sides.



Front of drawer

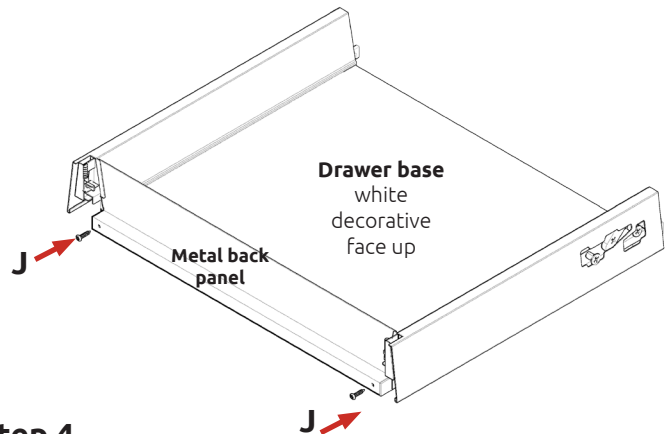


View from back



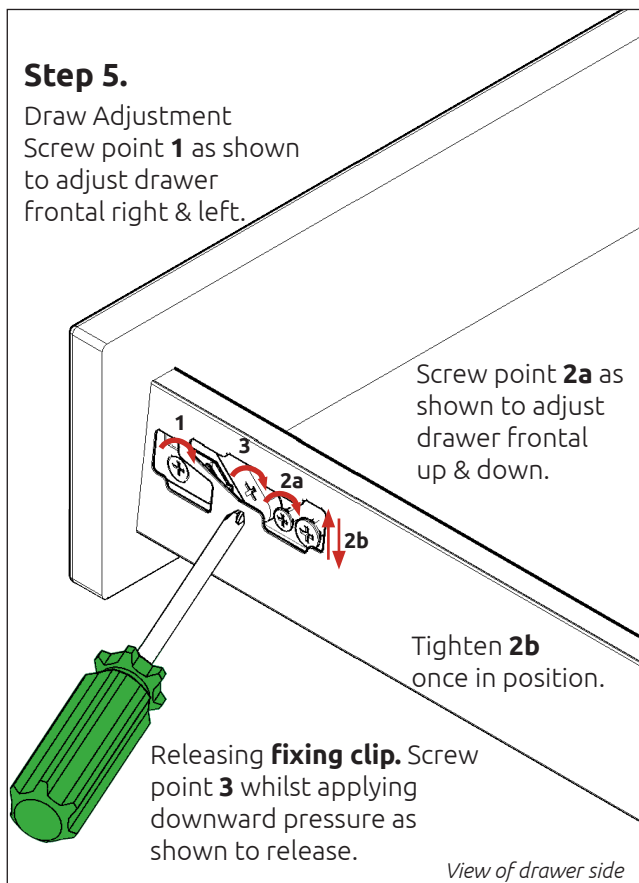
Step 3.

Screw back panel in position using 2 x 16mm screws (**J**) to drawer base in holes provided.



Step 5.

Draw Adjustment
Screw point **1** as shown to adjust drawer frontal right & left.



Screw point **2a** as shown to adjust drawer frontal up & down.

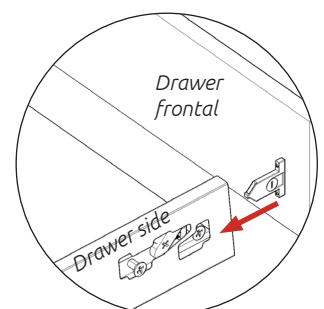
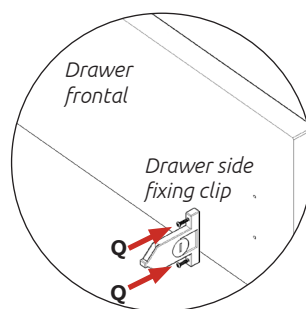
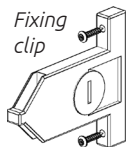
Tighten **2b** once in position.

Releasing **fixing clip**. Screw point **3** whilst applying downward pressure as shown to release.

View of drawer side

Step 4.

Frontal Attachment
Secure drawer side fixing clips using 2 x 21mm screws (**Q**) in pilot holes provided as shown.



Drawer Cover Cap

Step 6.

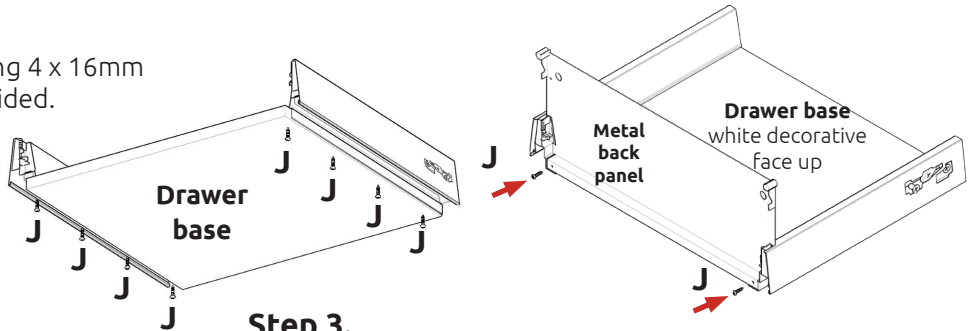
Fit Drawer Cover Caps over drawer side adjustment.

BASE UNIT

1000 2/3 Drawer Assembly Guide

Step 1.

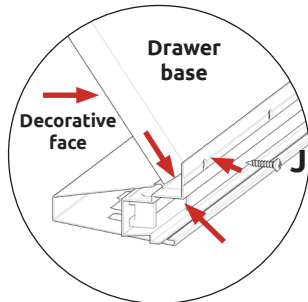
Secure drawer base to drawer side using 4 x 16mm drawer runner screws (**J**) in holes provided. Seat the edge of drawer base tight into corner of casing, as shown. The decorative face of drawer base to be positioned as shown.



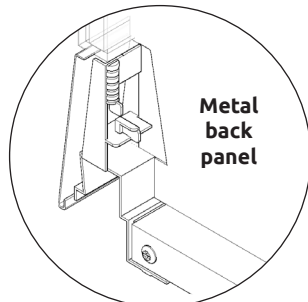
Repeat step 1 so both drawer sides are attached to drawer base.

Step 2.

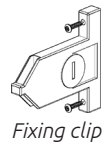
Clip on metal back panel to drawer base & drawer sides.



Front of drawer



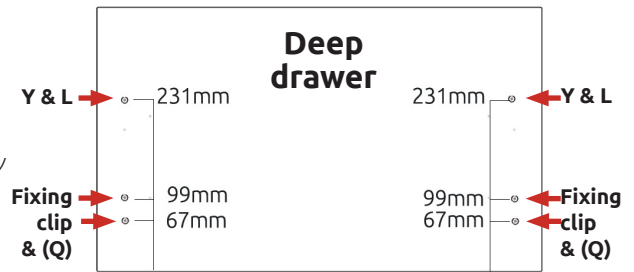
View from back



Fixing clip



(Y) Gallery Head



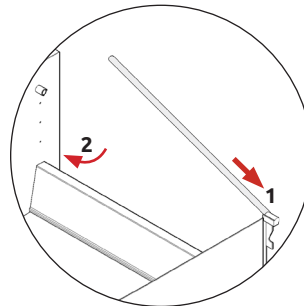
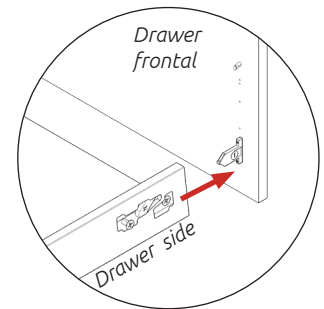
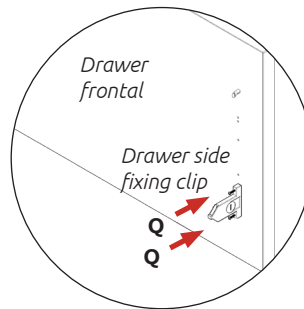
Step 3.

Screw back panel in position using 2 x 16mm screws (**J**) to drawer base in holes provided.

Step 4.

Frontal Attachment

Secure **drawer side fixing clips** using 2 x 21mm screws (**Q**) & **Gallery Head (Y)** using 1 x 15mm screw (**L**) in pilot holes provided as shown.



Step 6.

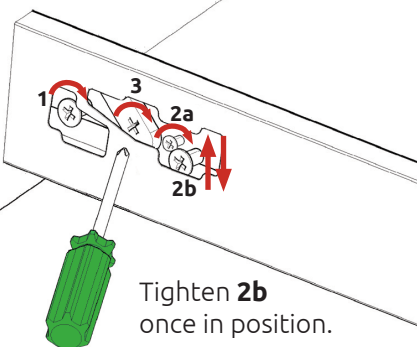
Fit Gallery Rail into the top corners of Metal Back Panel. Locate front end of the Gallery Rail into the opening of the gallery Head, which is secured to the frontal as shown

Drawer Frontal Adjustment

Step 5.

Draw Adjustment
Screw point **1** as shown to adjust drawer frontal right & left.

Screw point **2a** as shown to adjust drawer frontal up & down.



Releasing fixing clip.

Screw point **3** whilst applying downward pressure as shown to release.

Tighten **2b** once in position.

View of drawer side

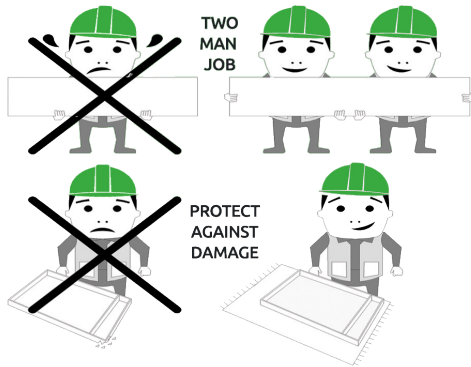


Drawer Cover Cap

Step 7.

Fit Drawer Cover Caps over drawer side adjustment.

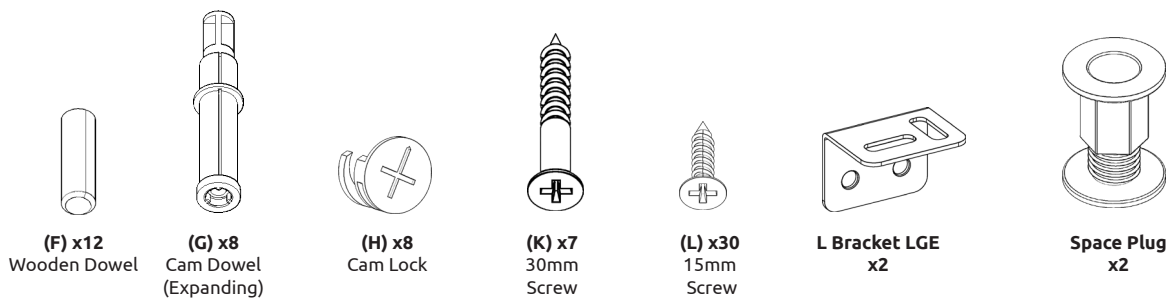
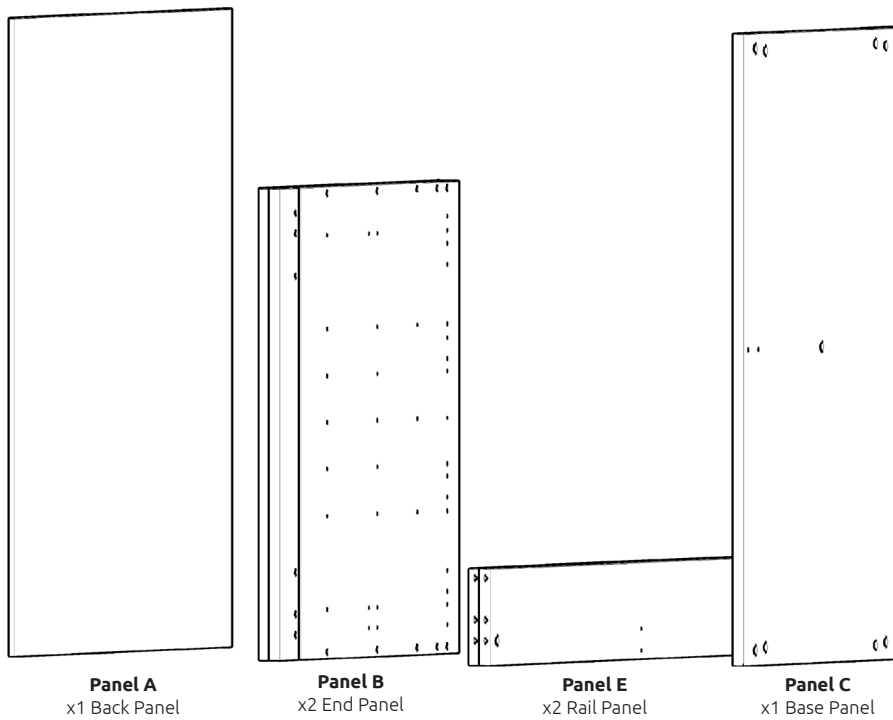
1000 Drawer Unit Contents



BEFORE YOU START

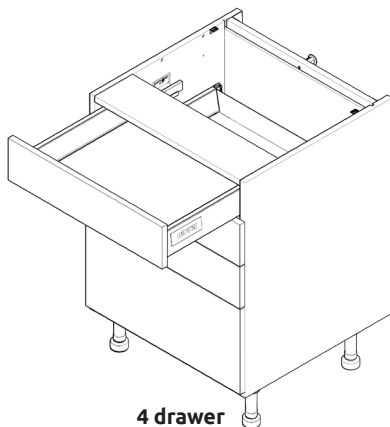
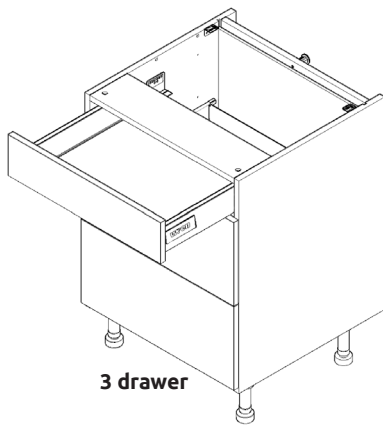
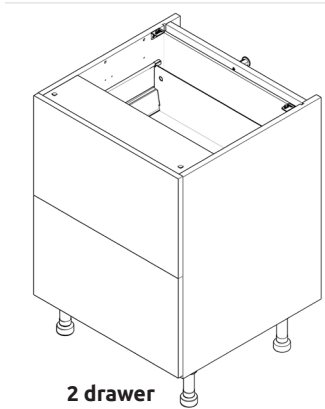
INSTALLATION SHOULD BE PERFORMED BY A COMPETENT PERSON ONLY.

THIS PRODUCT COULD BE DANGEROUS IF INCORRECTLY INSTALLED

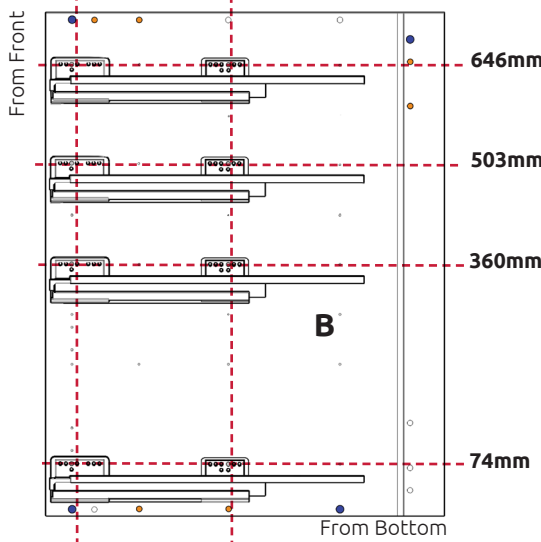
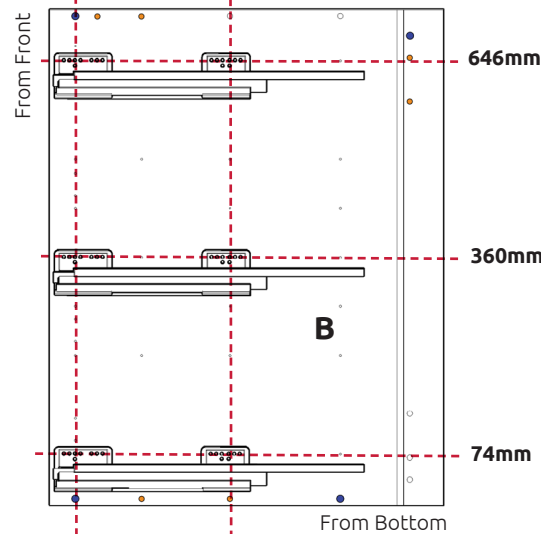
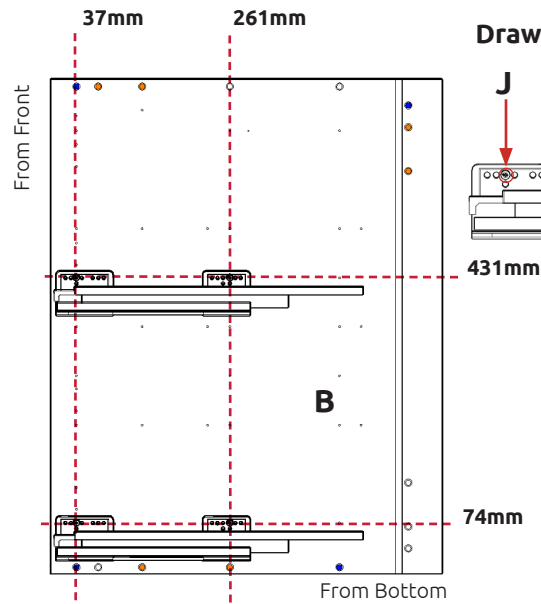


BASE UNIT

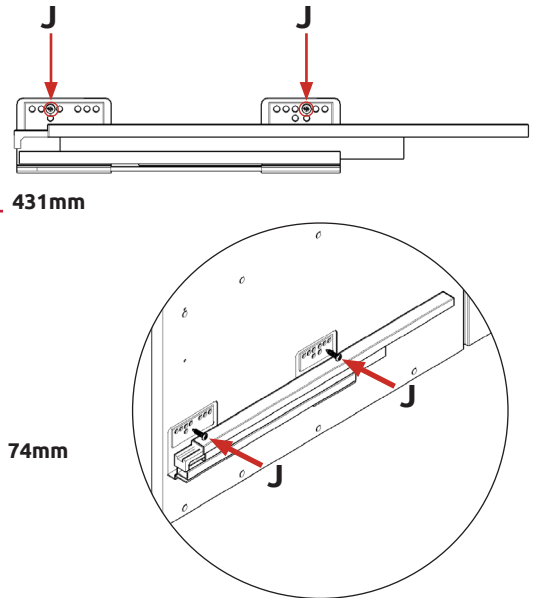
1000 2/3 Drawer Assembly Guide



600 units used as reference

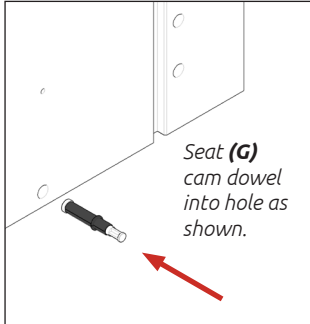


Drawer runner bracket screw position

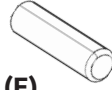


Step 1.

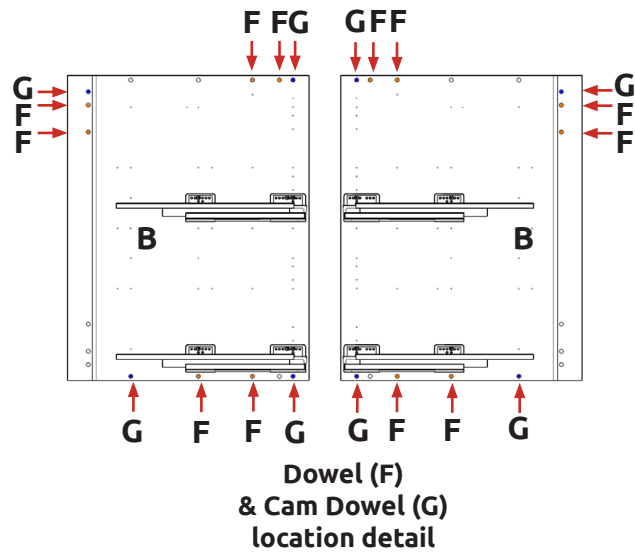
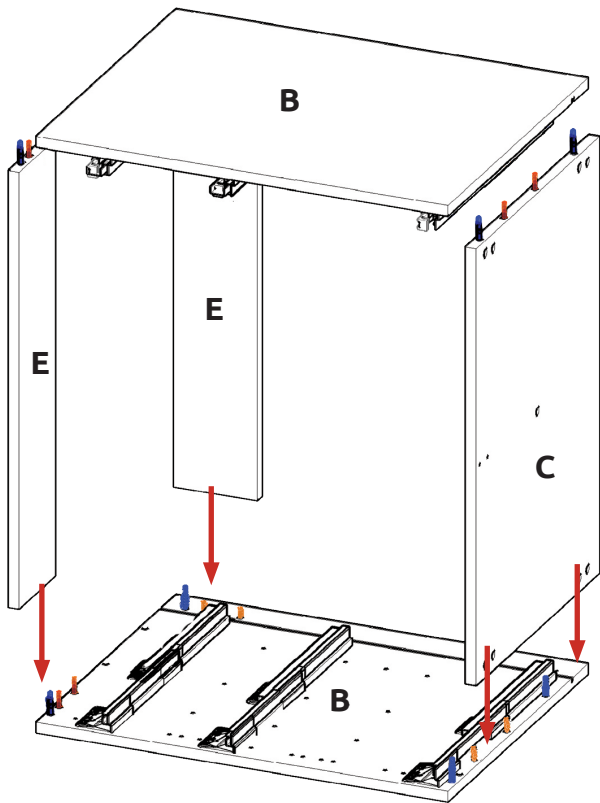
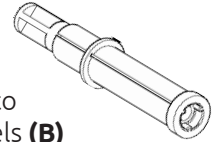
To attach drawer runner screw into end panels (**B**) using 2 x 16mm screws (**J**) per drawer runner, into pilot holes provided, 3rd hole from front, as shown.



Step 2.
Seat dowel (F) into holes in both end panels (B) as shown.



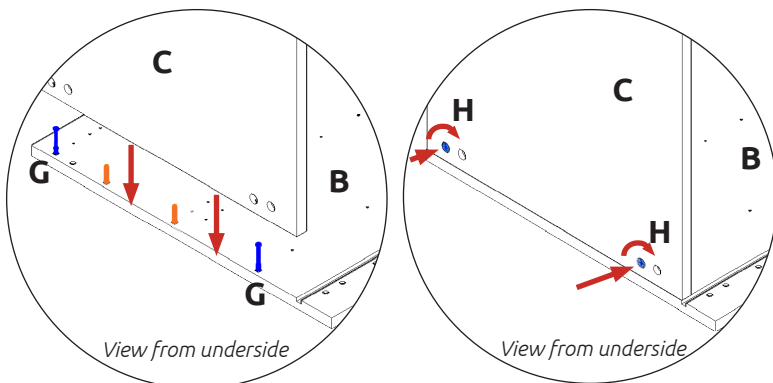
Step 3.
Seat cam dowel (G) into holes in both end panels (B) as shown.



Step 4.
Attach panels (C) & (E) to panels (B), using cam dowel (G) (in blue), and also using dowels (F) (in orange) in positions as shown.

! NB. All Cam Locks (H) are to be positioned facing the outside of the unit carcass, for ease of tightening.

Do **not** use power tools with cam dowel (G) or cam lock (H)



Step 5.
Insert cam lock (H).
Do NOT tighten until Step 7.



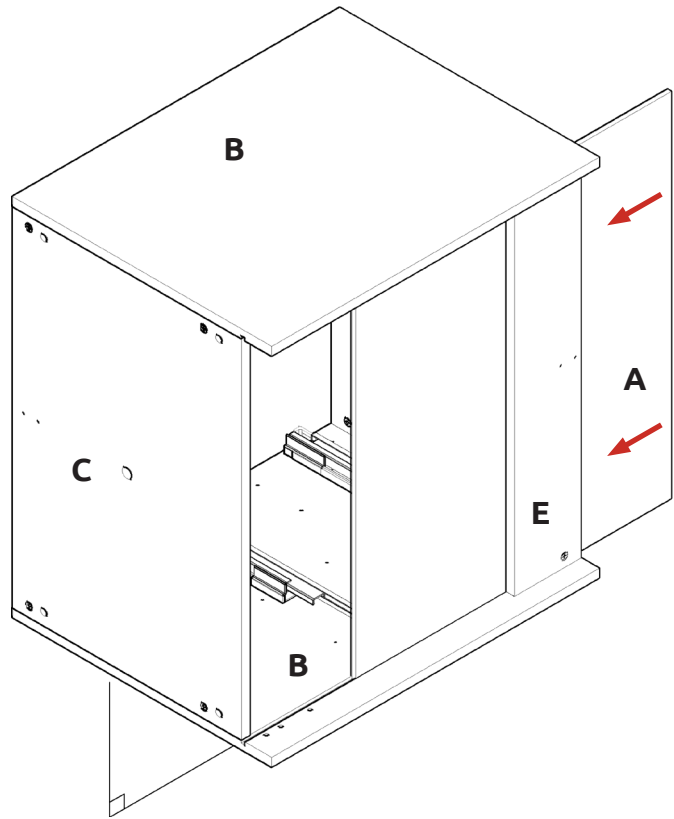
BASE UNIT

1000 2/3 Drawer Assembly Guide

Step 6.

Slide back panel (A) into groove of end panels (B).

Once back panel (A) is in position, ensure the panel is flush & square with bottom of end panels (B).



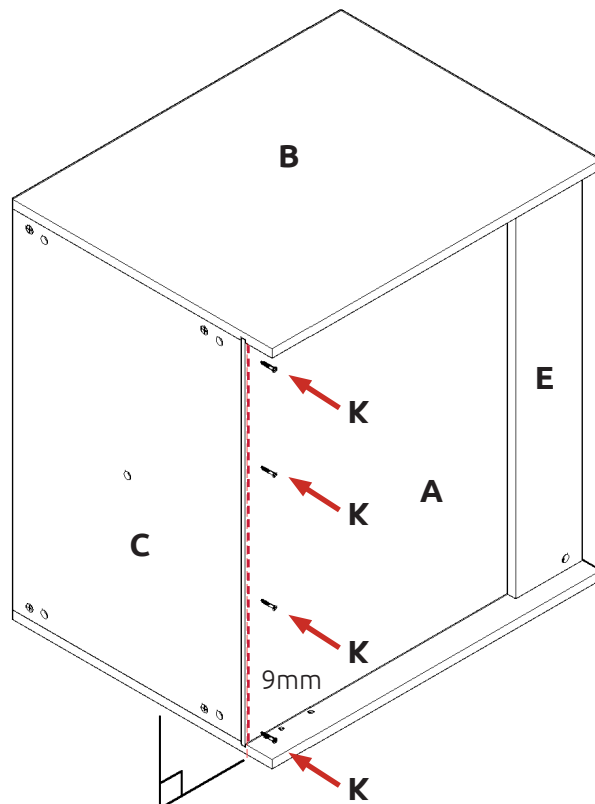
Step 7.

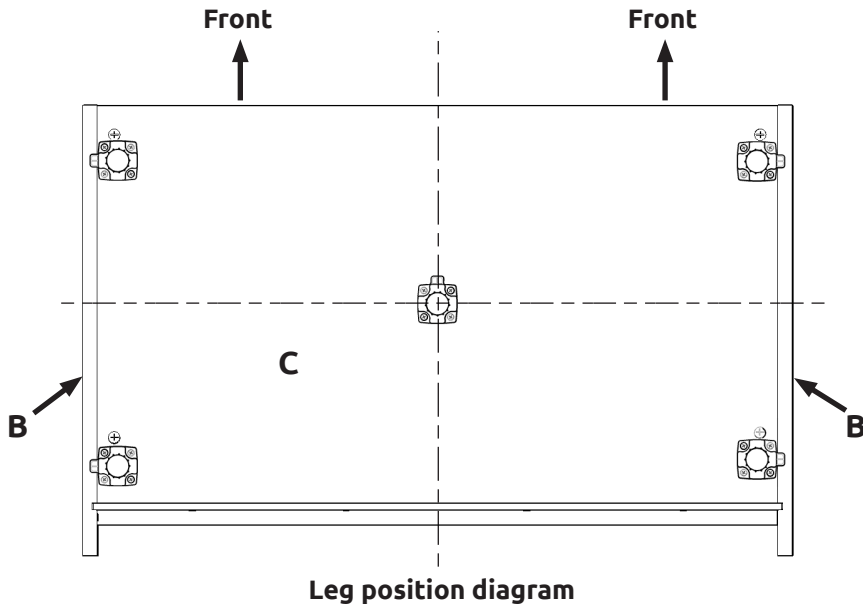
Hand tighten all cam locks (H), this will expand cam dowels (G) and tighten the unit together.

Step 8.

Ensure unit is square. Secure back panel (A) with 4 x 30mm screws (K) equally spaced at the bottom of back panel (A) into base panel (C), as shown.

Ensure you screw into the centre of base panel (C) (9mm from bottom edge).



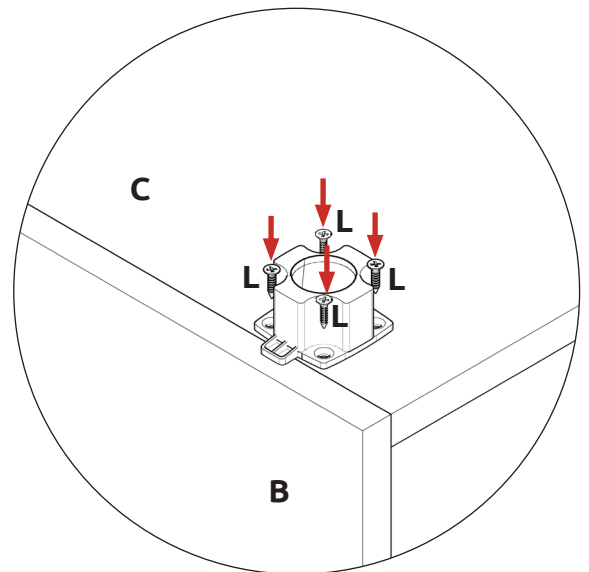


Step 9.

Position legs as shown. Ensure legs are rotated to also provide support to the end panels (**B**).

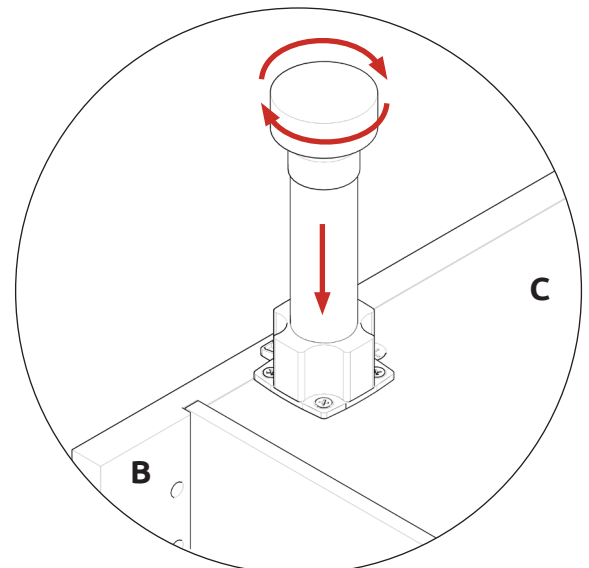
Step 10.

Secure each of the legs into place with 4 x 15mm screws (**L**) per leg.



Step 11.

Push leg firmly down into leg base. Adjust legs to 155mm before turning unit upright. Once in situ level accordingly.

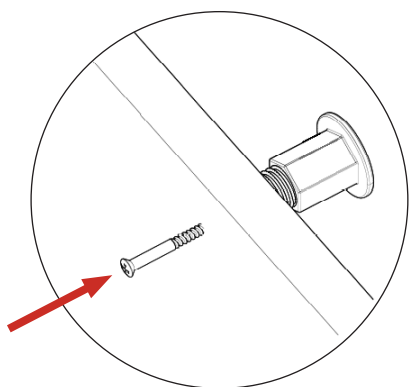


BASE UNIT

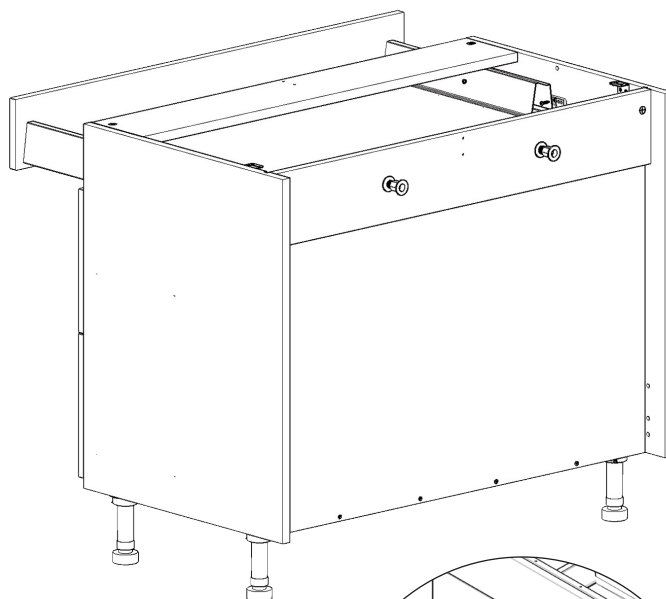
1000 2/3 Drawer Assembly Guide



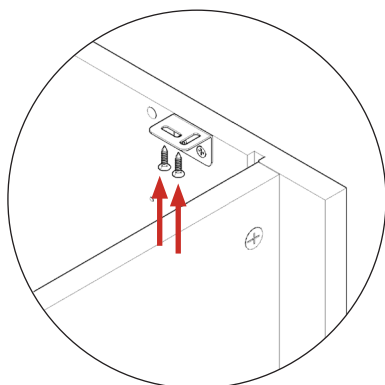
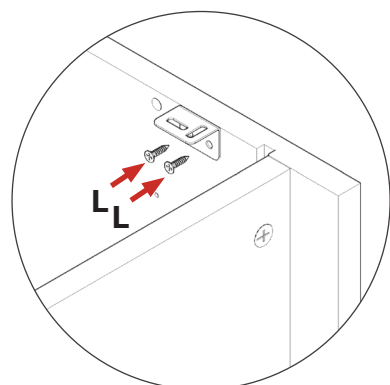
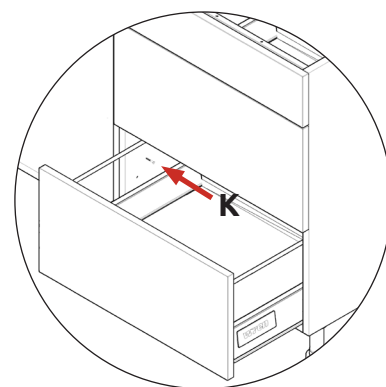
Screws for attaching to walls and worktop are not provided as these vary depending on materials, thickness and construction. Ensure appropriate fixings for wall and worktop construction are used. Please refer to the specialist worktop supplier if these are required for solid surface worktops.



Secure unit to wall using **space plugs**. Drill pilot holes through the back brace into the wall and insert wall plugs. Then unwind space plugs until it contacts both surfaces. Finally, tighten the screws.

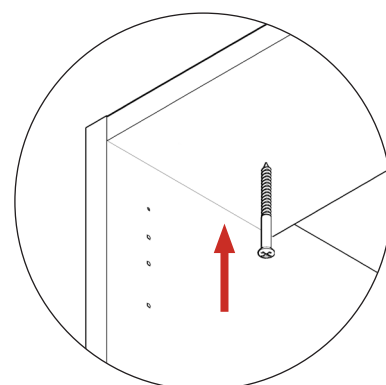


Screw into any side units using the 30mm screws **(K)** provided to secure to the unit. Screw just to the rear of the indentations at the top and bottom on sides of the unit where applicable. Place a cover caps **(M)** on the head of the screw to conceal it.



Use 2 x 15mm screws **(L)** to secure each of the L brackets to the unit at either side. Then screw up through into the worktop as shown.

Screw up through the front rail into your worktop to secure it in place.



wren
KITCHENS